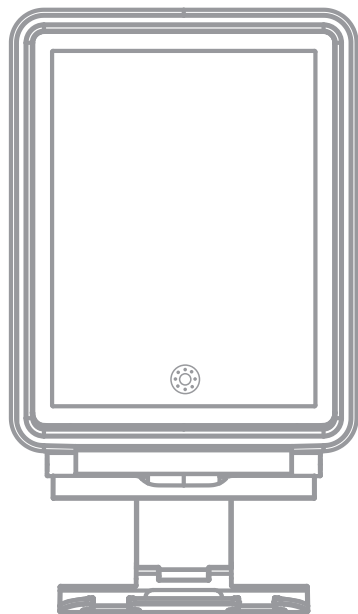


LED SHAVING MIRROR



For your safety and continued enjoyment of this product,
Always read the instructions carefully before using.

Specifications

[Product Name] LED Shaving mirror with razor hook

[Main Material] Glass + ABS

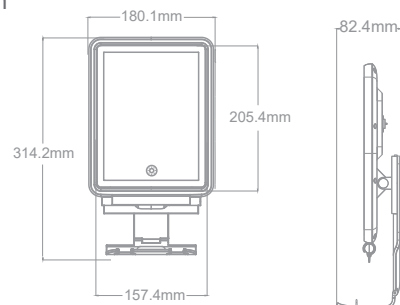
[Led Beads] 76pcs

[Color Temperature] 3500K-7000K±500K

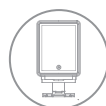
[Battery Type] 4X AAA batteries

[Max Power] 6.3W±2W

[Product Size] As shown



Packing List



Mirror



3M double sided tape X 1

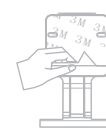


Nail set X 2



User manual

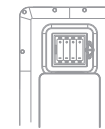
Installation option 1-Double sided tape



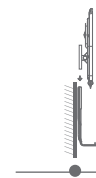
1. Adhere 3M tape on the back of shelf



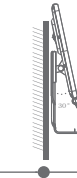
2. Adhere the shelf on the wall surface



3. Install 4pcs AAA battery



4. Insert the mirror to the shelf

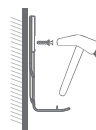


5. Support 30 degree rotation, adjust the angle to use

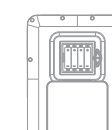


6. Turn on lights to use

Installation option 2-Hanging by nails



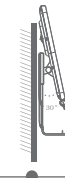
1. Drill two holes on the wall, install 2pcs nails provided



2. Install 4pcs AAA battery



3. Insert the mirror to the shelf



4. Support 30 degree rotation, adjust the angle to use



5. Turn on lights to use

Operation manual



1. To light up the mirror, press the sensor switch.



2. Gentle touch the sensor switch to choose between warm, cool and daylight.

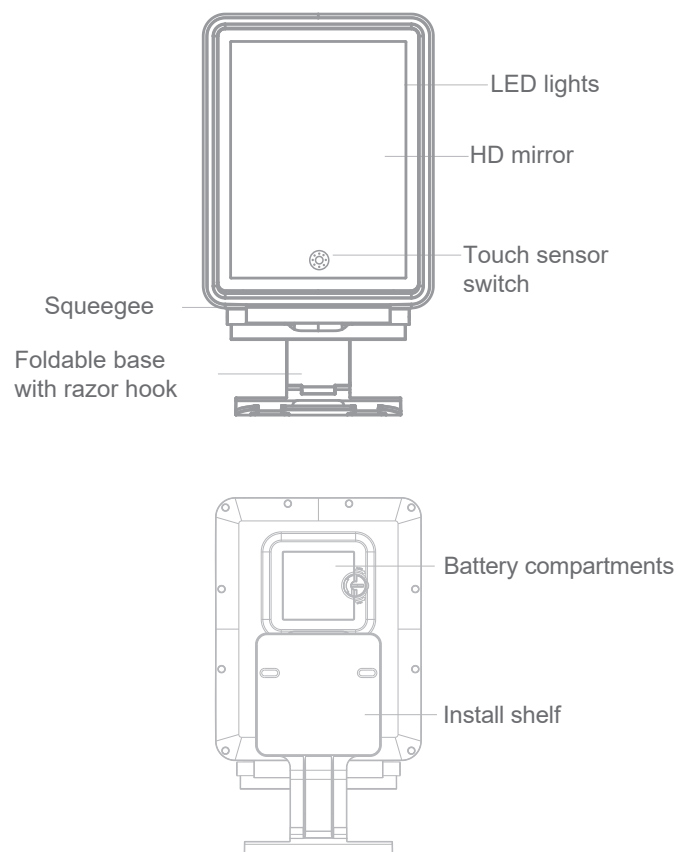


3. Keep your finger on the sensor switch to adjust the light brightness.



4. To turn off the lights, touch the sensor switch again.

Illustration



Safety Instructions

Made in China

- ① Always keep away from water.
- ① Do not place or store appliance where it can fall or be pulled into a tub or sink. If the appliance falls into water, DO NOT REACH INTO THE WATER.
- ① Close supervision is necessary when any appliance is used by or near children.
- ① Do not operate this appliance if the appliance malfunctions or has been damaged in any manner. No repairs should be attempted by the consumer.
- ① Use appliance only for intended use as described in this instruction-book.
- ① Be sure mirror is not in a position where it can reflect sunlight.

Storage Instructions

- ① Please turn the lights off before storage.
- ② Be sure direct sunlight does not strike mirror when left unattended.
- ③ Place the mirror in cool and dry area.
- ④ For safety, please make sure the mirror is out of reach of children.