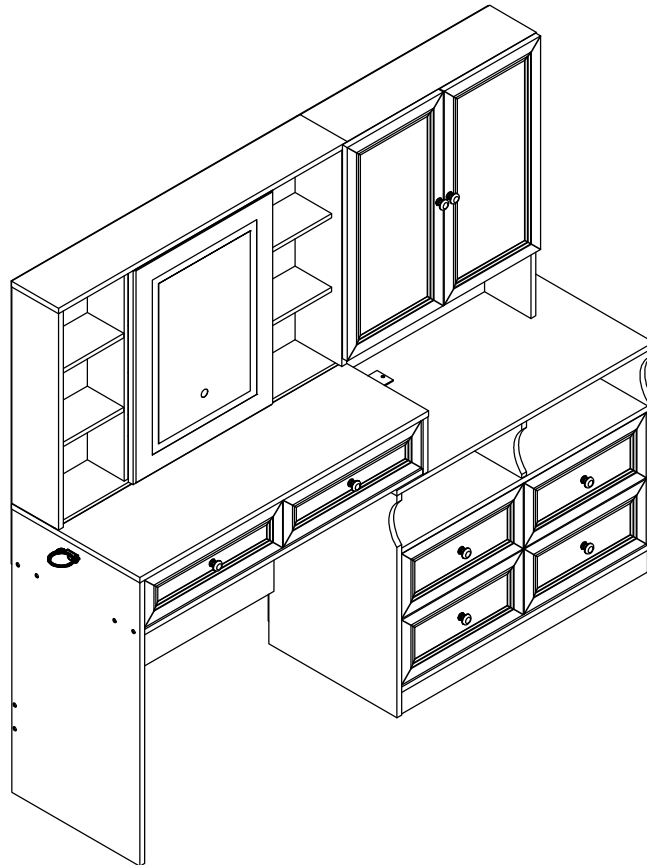

DA0163

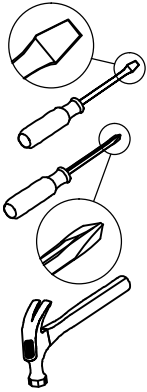


As this item contains many parts, please read the installation instruction carefully before installation . Please use tools properly and carefully. If you have any questions about the product and installation, please contact us.

hosoteservice@gmail.com

Our professional after-sales team will serve you online all day.

Before You Start



- ✓ Read through each step carefully and follow the proper order
- ✓ Separate and count all your parts and hardware
- ✓ Give yourself enough room for the assembly process
- ✓ Have the following tools: Flat Head Screwdriver, #2 Phillips Head Screwdriver and Hammer
- ✓ Caution: If using a power drill or power screwdriver for screwing, please be aware of to slow down and stop when screw is tight. Failure to do so may result in stripping the screw. (Assembly speed can be increased by using electric screwdriver)

Helpful Hints

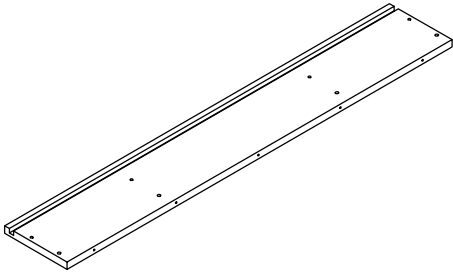
PEOPLE NEEDED FOR ASSEMBLY: 1-2

- Open your item in the area you plan to keep it to avoid excessive heavy lifting.
- Identify, sort and count the parts before attempting assembly.
- Compression dowels are lightly tapped in with a hammer.
- Slides are labeled with an **R** (right) and **L** (left) for proper placement.
- Make sure to always face the point on the top of the Cam Lock towards the outer edge.
- If there is a back panel in the package, please install it to make sure your unit is complete and sturdy.
- Please fix all the screws provided for the back panel which can enhance product stability. If it is difficult to fix it when tightening, it can be fixed with the help of a hammer and then tightened.
- Do NOT use harsh chemicals or abrasive cleaners on this item.
- Never push, pull, or drag your furniture.



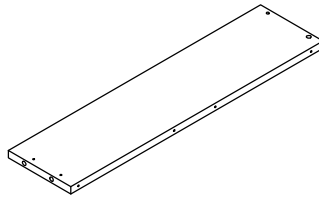
Board Identification

Not actual size



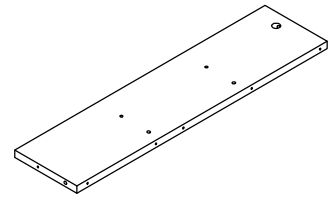
①

TOP PANEL



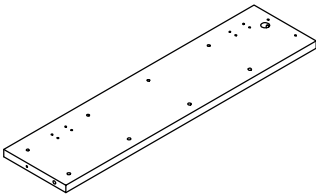
②

TOP PANEL



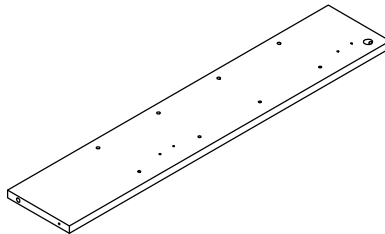
③

UPPER LEFT SIDE PANEL



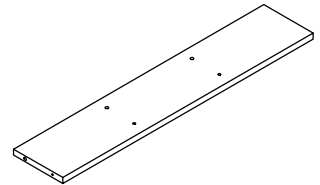
④

UPPER RIGHT SIDE PANEL



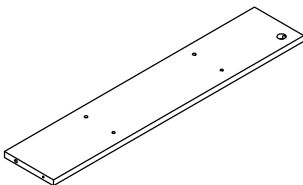
⑤

UPPER RIGHT SIDE PANEL



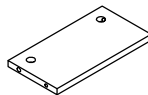
⑥

UPPER PARTITION SIDE



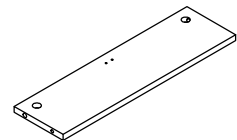
⑦

UPPER PARTITION SIDE



⑧

FIXED SHELF
Qty:4

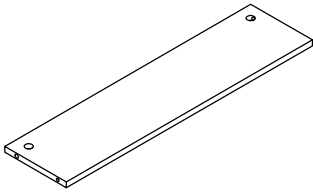


⑨

FIXED SHELF
Qty:2

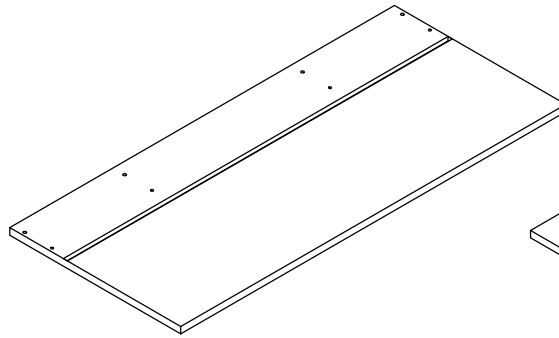
Board Identification

Not actual size



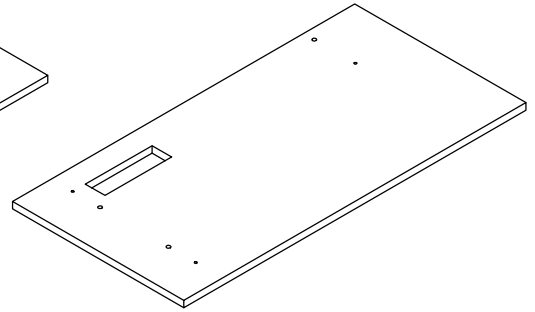
⑩

FIXED SHELF
Qty:4



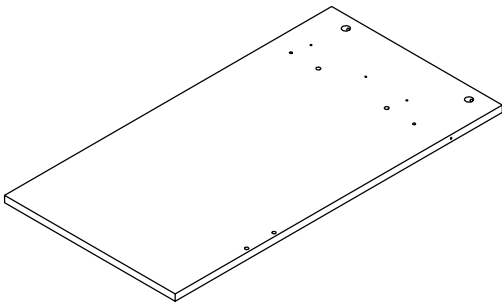
⑪

DESK TOP



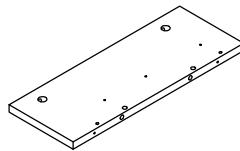
⑫

DESK TOP



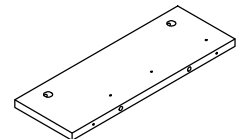
⑬

LOWER LEFT SIDE PANEL



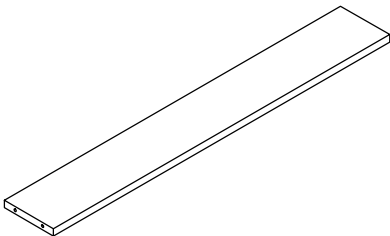
⑭

LOWER RIGHT SIDE PANEL



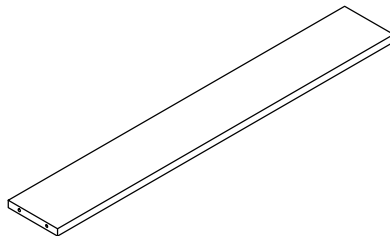
⑮

PARTITION PANEL



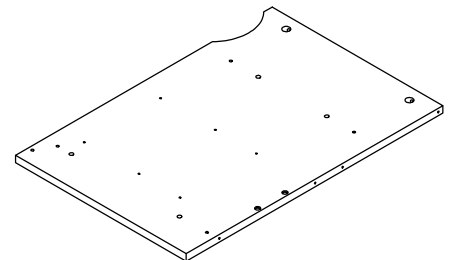
⑯

FRONT SLAT



⑰

BACK SLAT

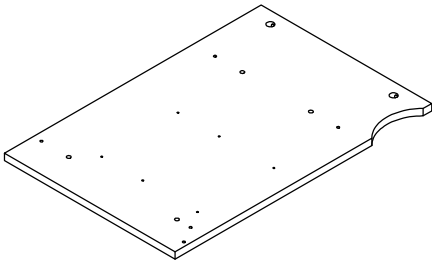


⑱

LOWER LEFT SIDE PANEL

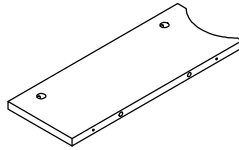
Board Identification

Not actual size



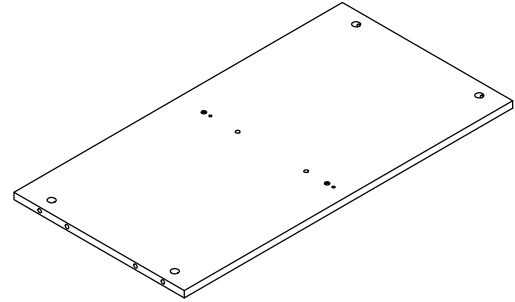
19

LOWER RIGHT SIDE PANEL



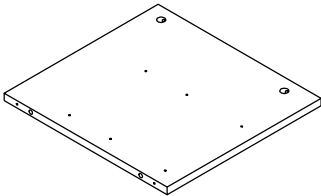
20

PARTITION PANEL



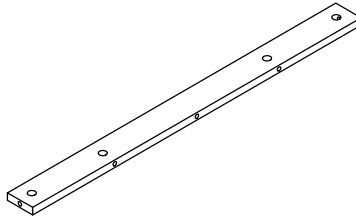
21

BOTTOM



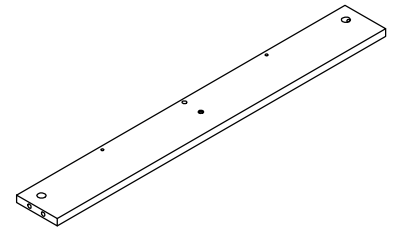
22

PARTITION PANEL



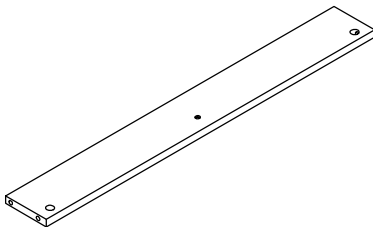
23

BOTTOM FRONT RAIL



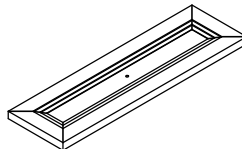
24

FRONT SLAT



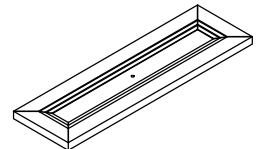
25

BACK SLAT



26

DRAWER FRONT PANEL

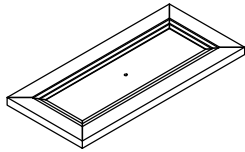


27

DRAWER FRONT PANEL

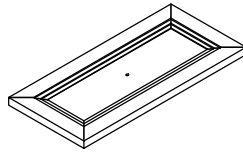
Board Identification

Not actual size



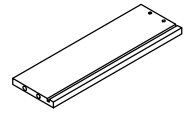
28

DRAWER FRONT PANEL
Qty:2



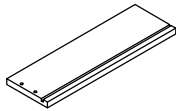
29

DRAWER FRONT PANEL
Qty:2



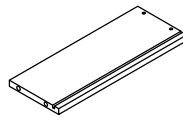
30

DRAWER LEFT SIDE PANEL
Qty:2



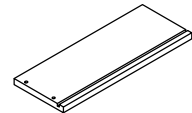
31

DRAWER RIGHT SIDE PANEL
Qty:2



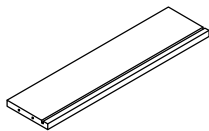
32

DRAWER LEFT SIDE PANEL
Qty:4



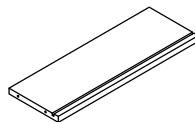
33

DRAWER RIGHT SIDE PANEL
Qty:4



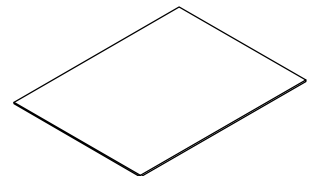
34

DRAWER BACK PANEL
Qty:2



35

DRAWER BACK PANEL
Qty:4

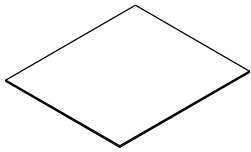


36

DRAWER BOTTOM PANEL
Qty:2

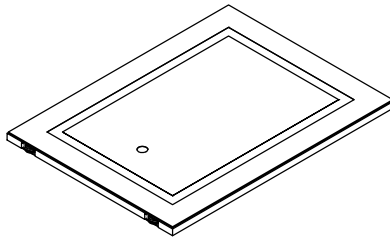
Board Identification

Not actual size



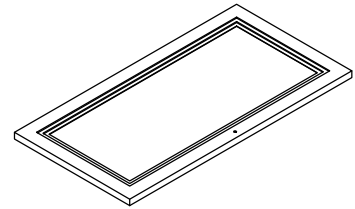
37

DRAWER BOTTOM PANEL
Qty:4



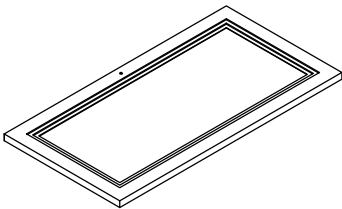
38

DRESSING MIRROR



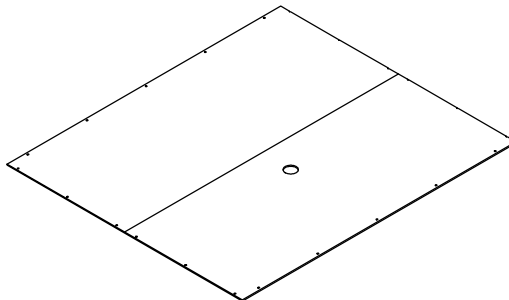
39

LEFT SIDE DOOR



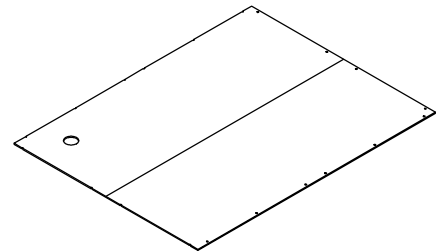
40

RIGHT SIDE DOOR



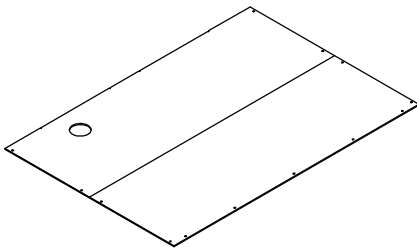
41

UPPER BACK PANEL



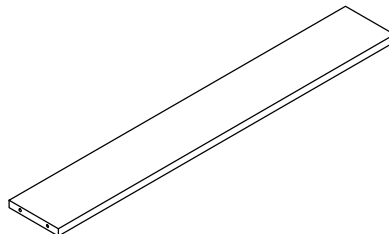
42

UPPER BACK PANEL



43

LOWER BACK PANEL

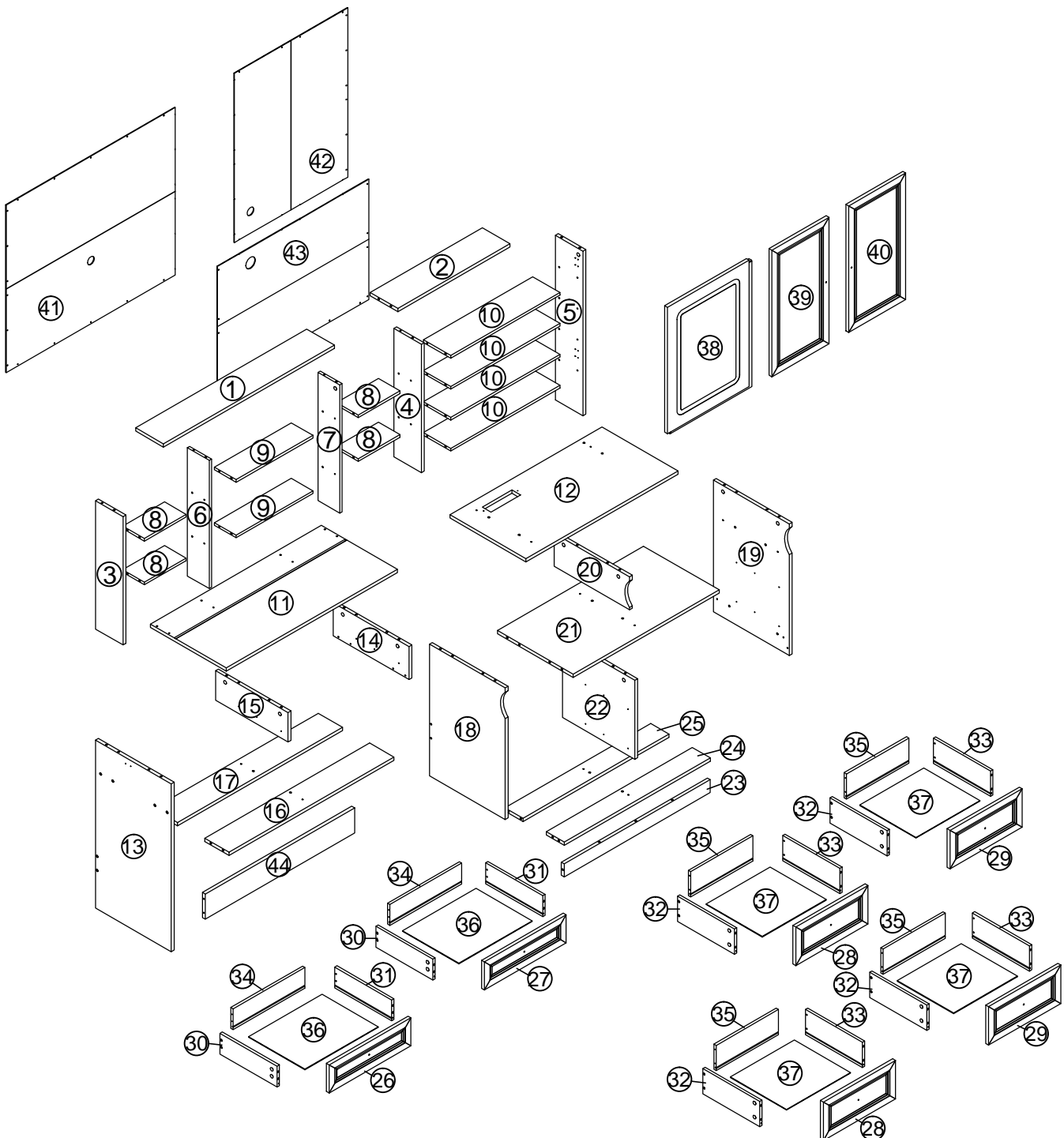


44

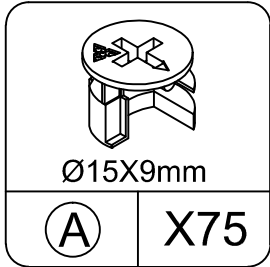
BOTTOM FRONT SLAT

Board Identification

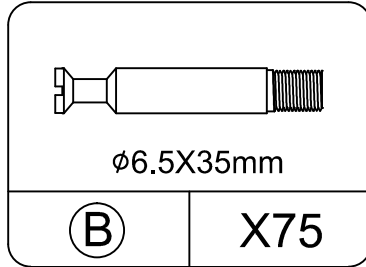
Not actual size



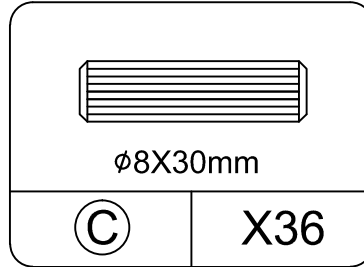
Part List



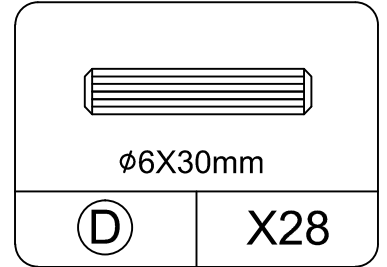
CAM LOCK
spare: 5



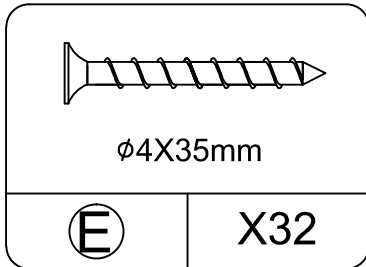
CAM BOLT
spare: 5



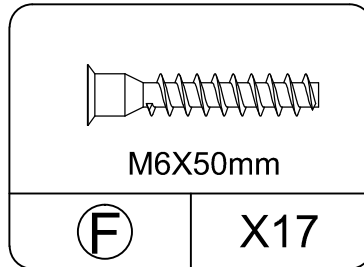
WOOD DOWEL
spare: 4



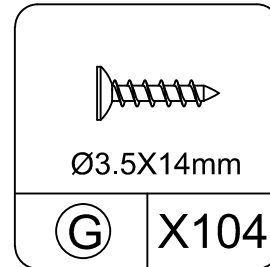
WOOD DOWEL
spare: 3



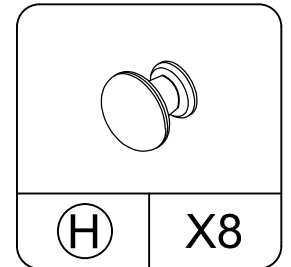
SCREW
spare: 3



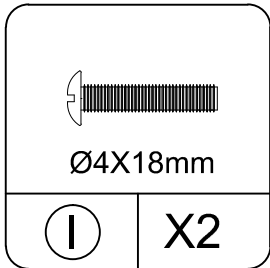
SCREW
spare: 2



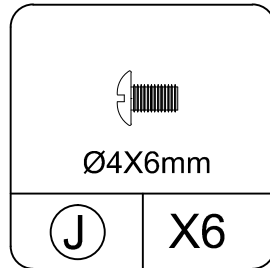
SCREW
spare: 5



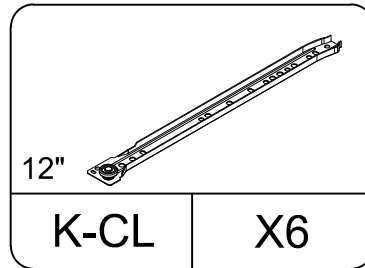
HANDLE



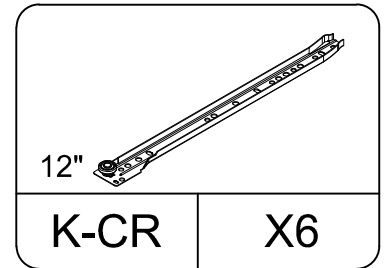
SCREW
spare: 1



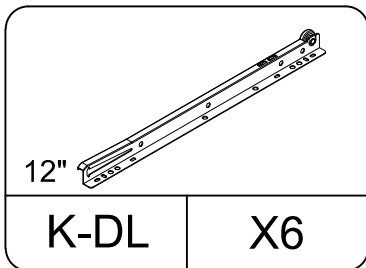
SCREW
spare: 1



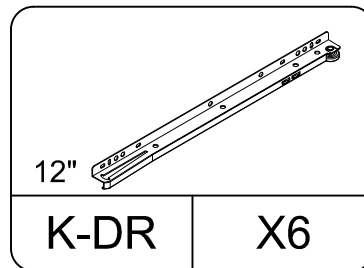
LEFT CABINET MEMBER



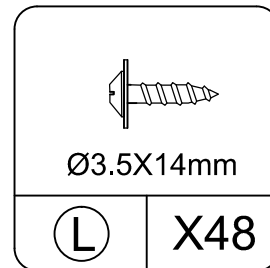
RIGHT CABINET MEMBER



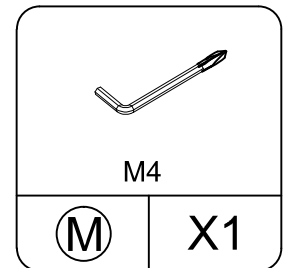
LEFT DRAWER RUNNER



RIGHT DRAWER RUNNER

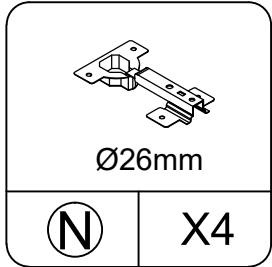


SCREW
spare: 4



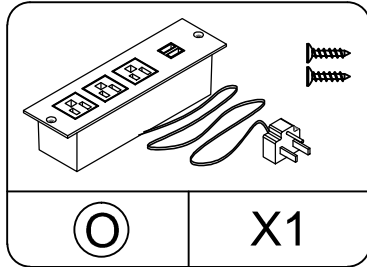
HEX KEY

Part List



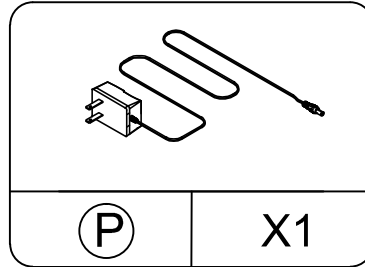
(N) X4

HINGE



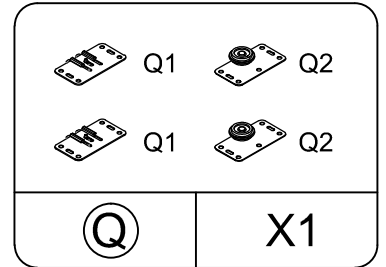
(O) X1

PLUG BOARD



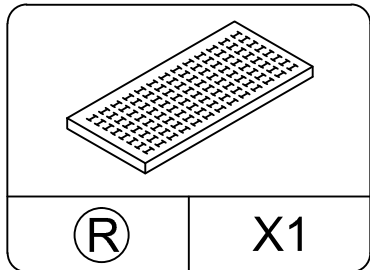
(P) X1

THE POWER PLUG



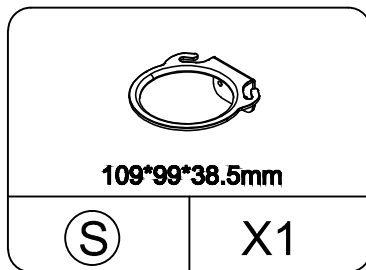
(Q) X1

SLIDING DOOR PULLEY



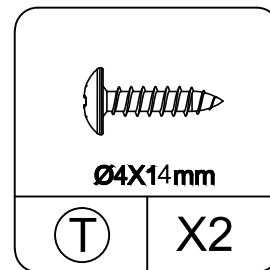
(R) X1

HAIR DRYER RACK



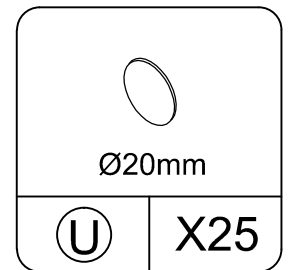
(S) X1

SCAM LOCK COVER

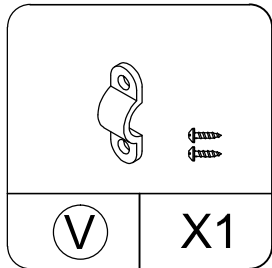


(T) X2

SCREW
spare: 1

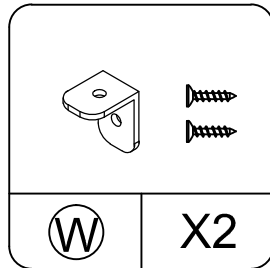


(U) X25



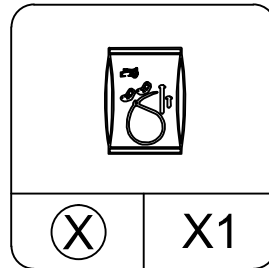
(V) X1

CRIMPING BUCKLE



(W) X2

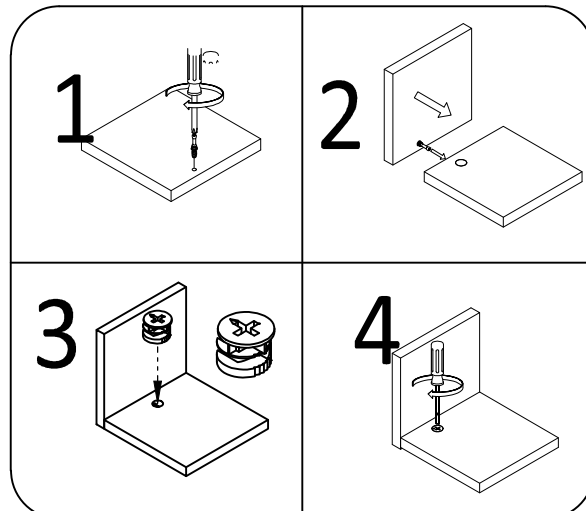
TIPPING RESTRAINT
HARDWARE KIT



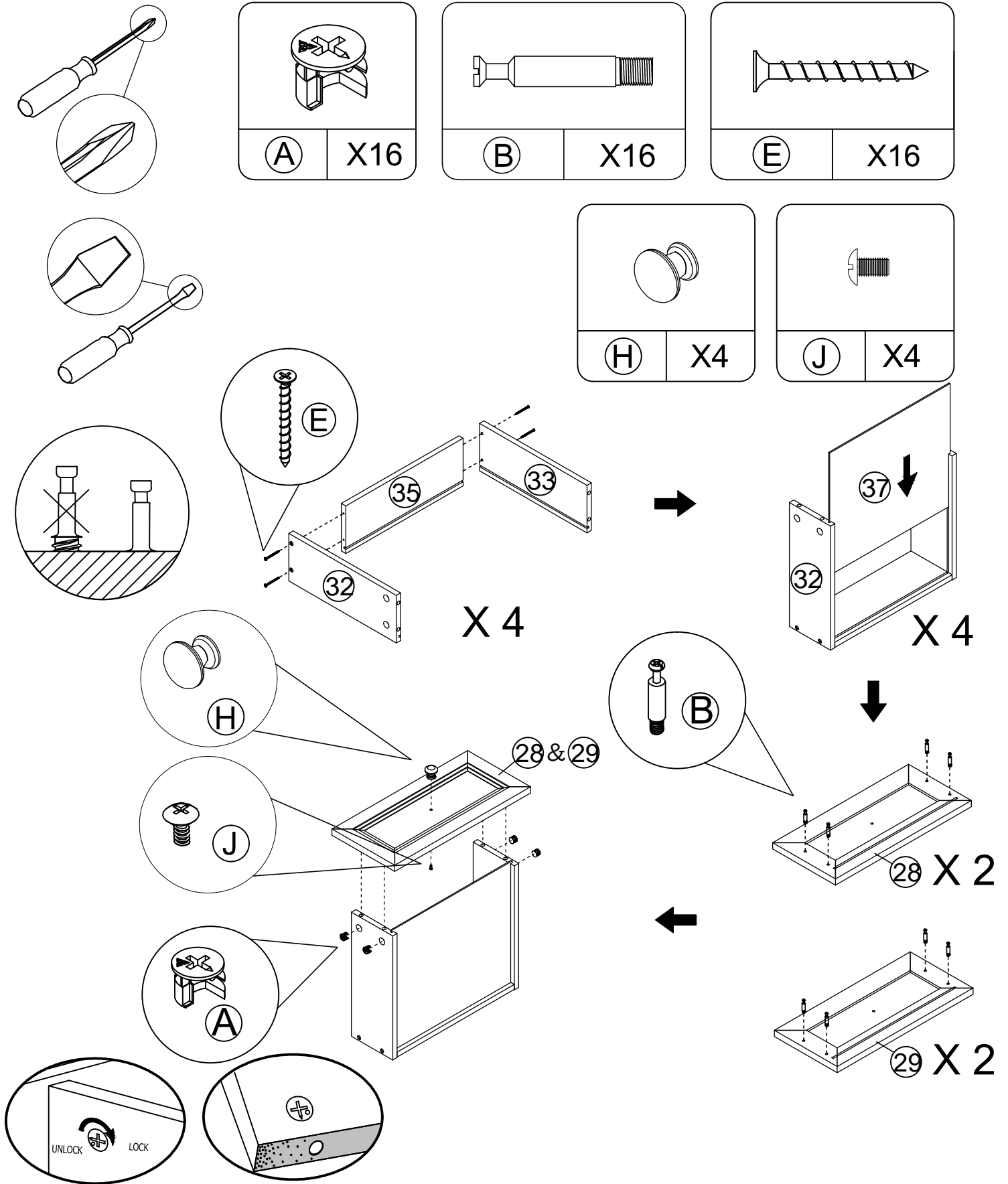
(X) X1

Cam Lock Fastening System

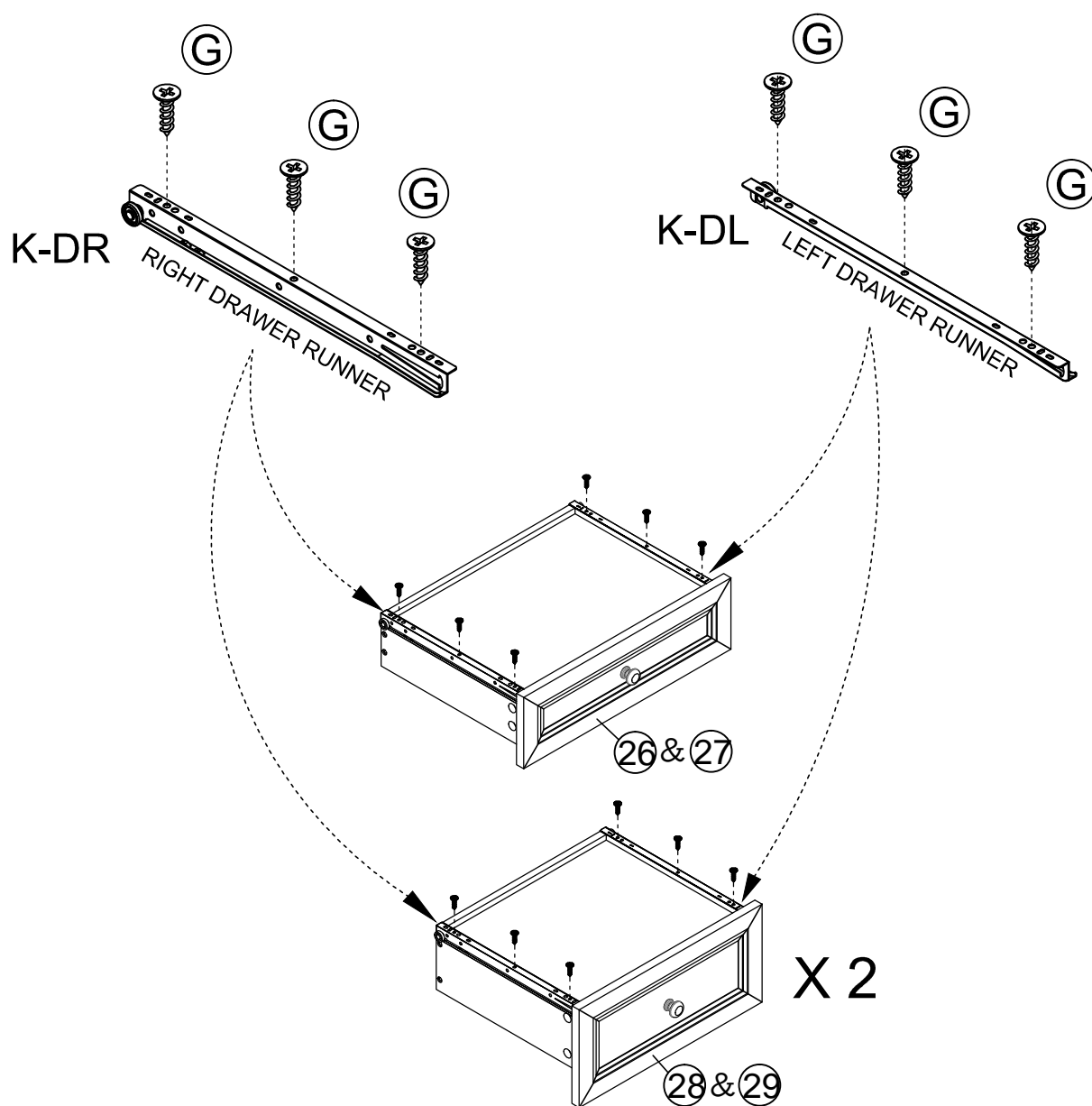
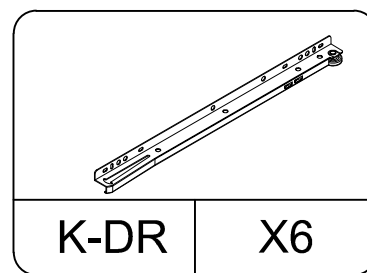
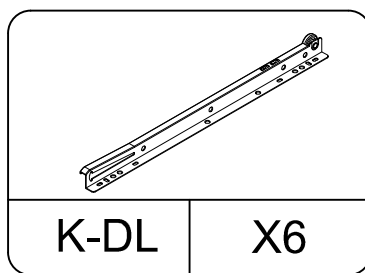
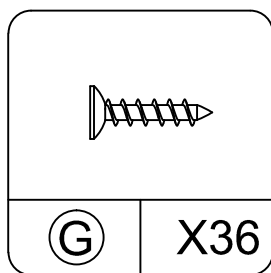
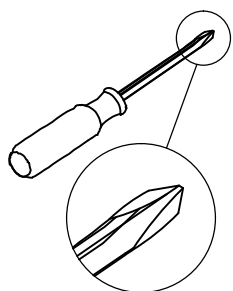
Insert the cam bolt into the hole first, then insert the cam lock and lock it.



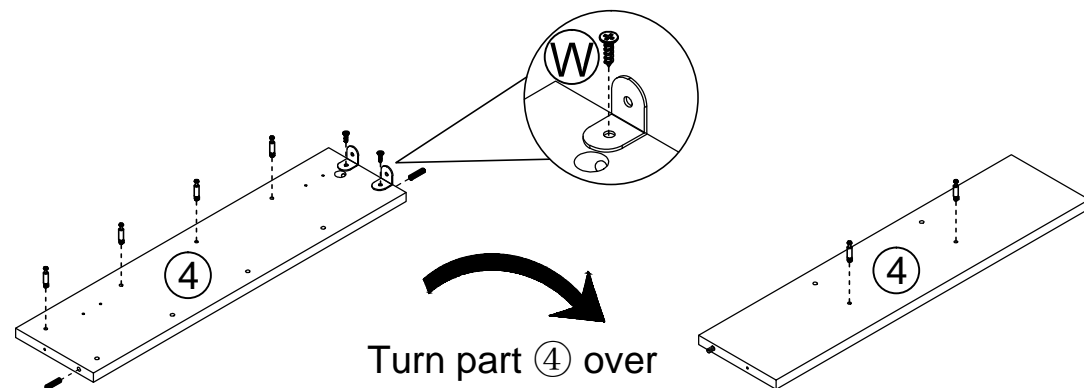
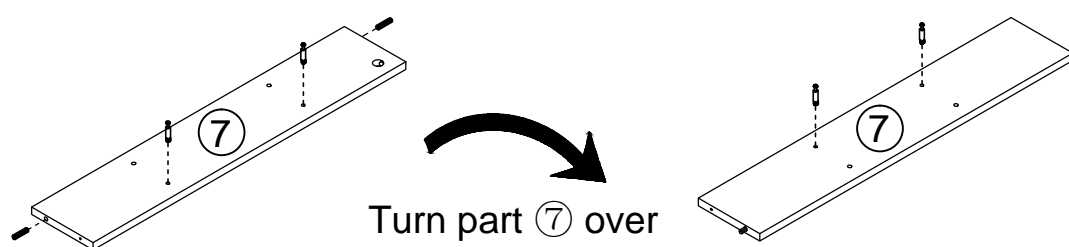
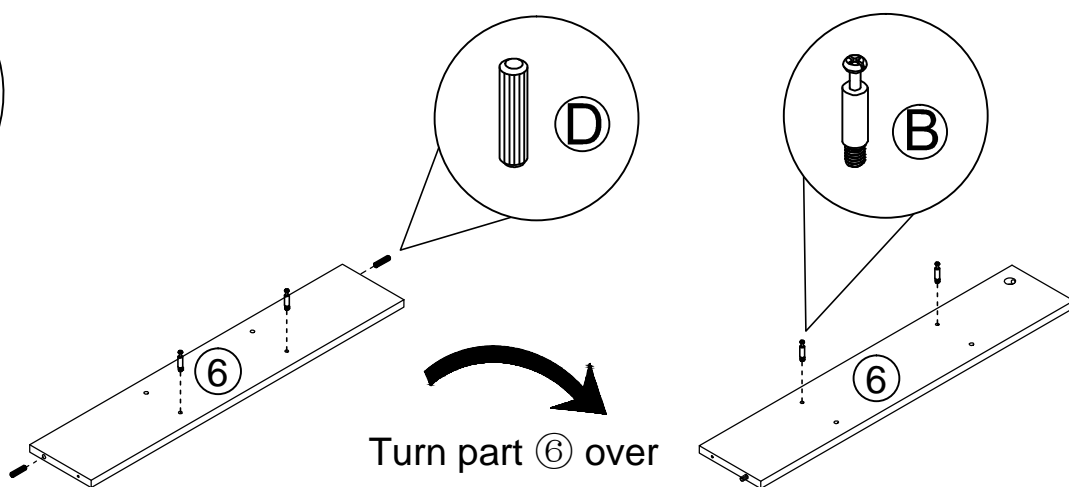
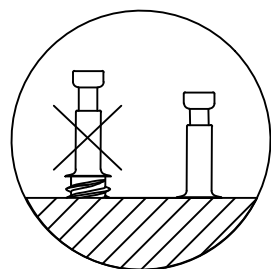
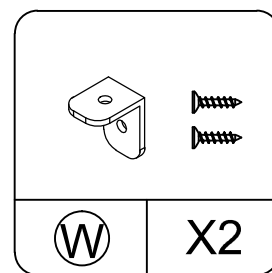
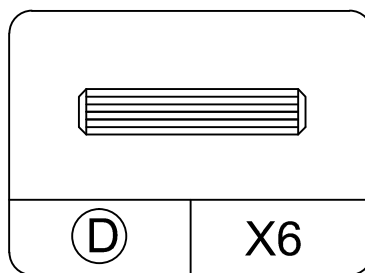
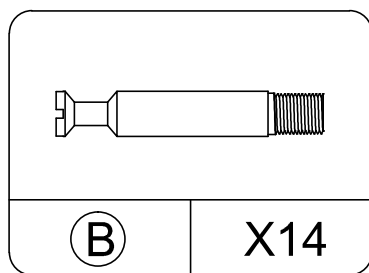
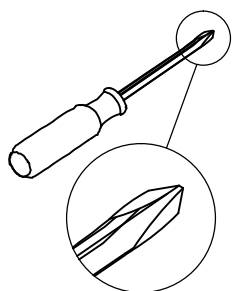
STEP 2



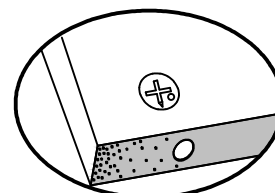
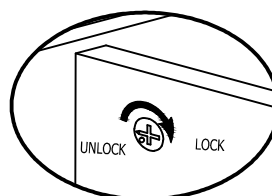
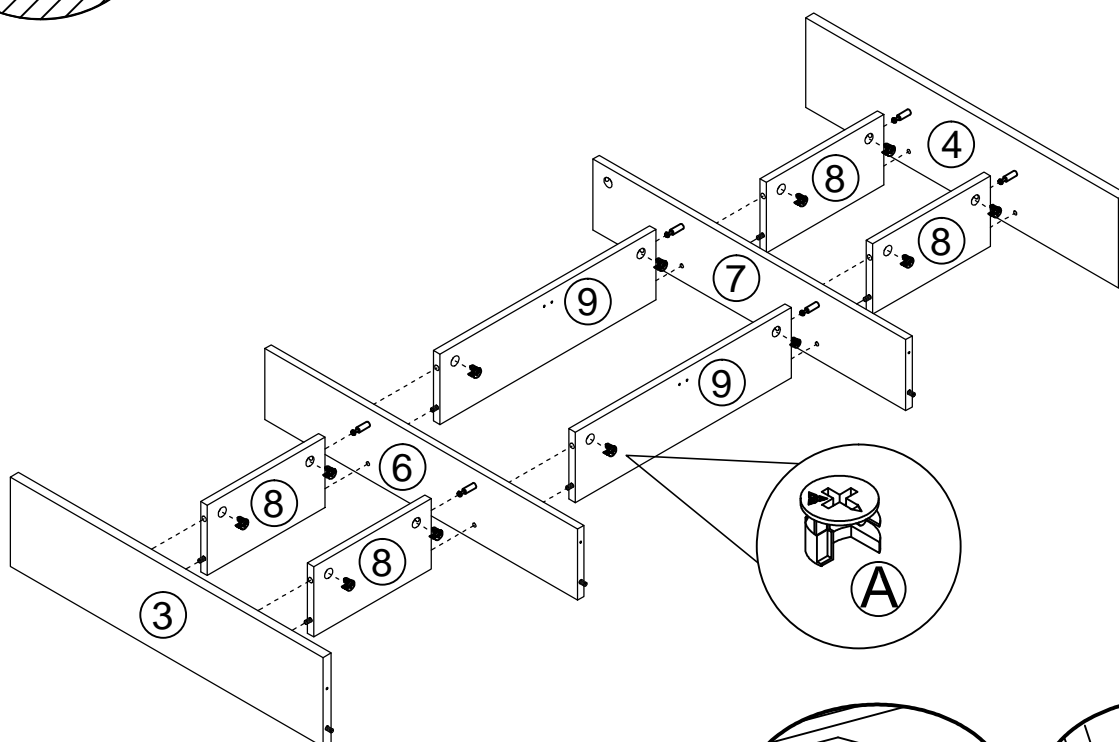
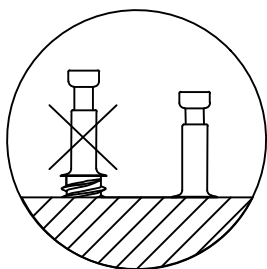
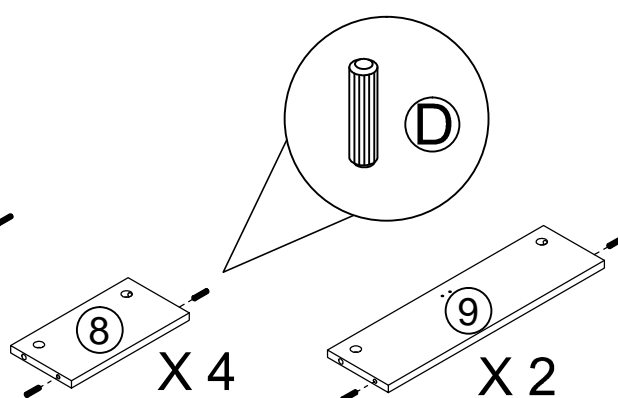
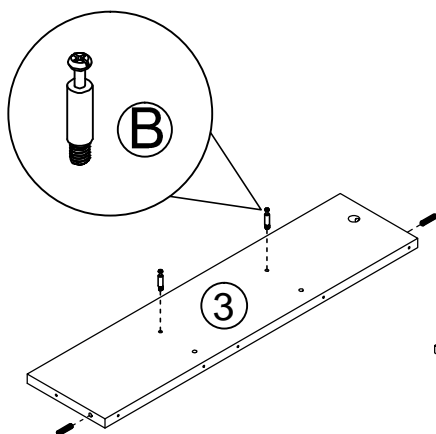
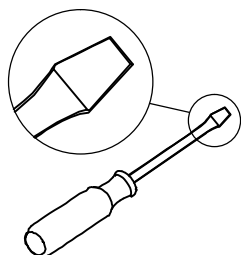
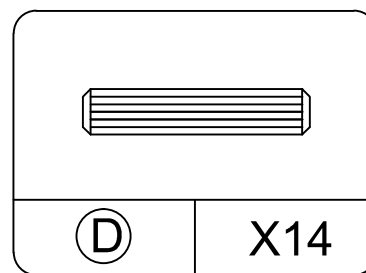
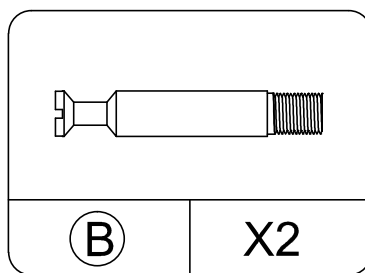
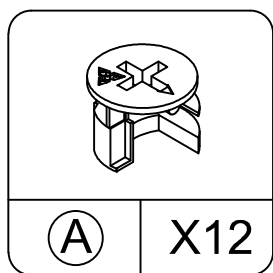
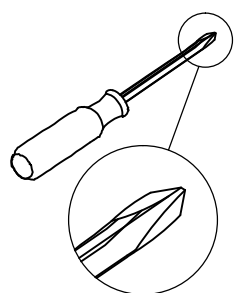
STEP 3



STEP4

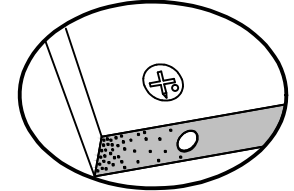
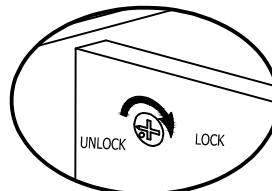
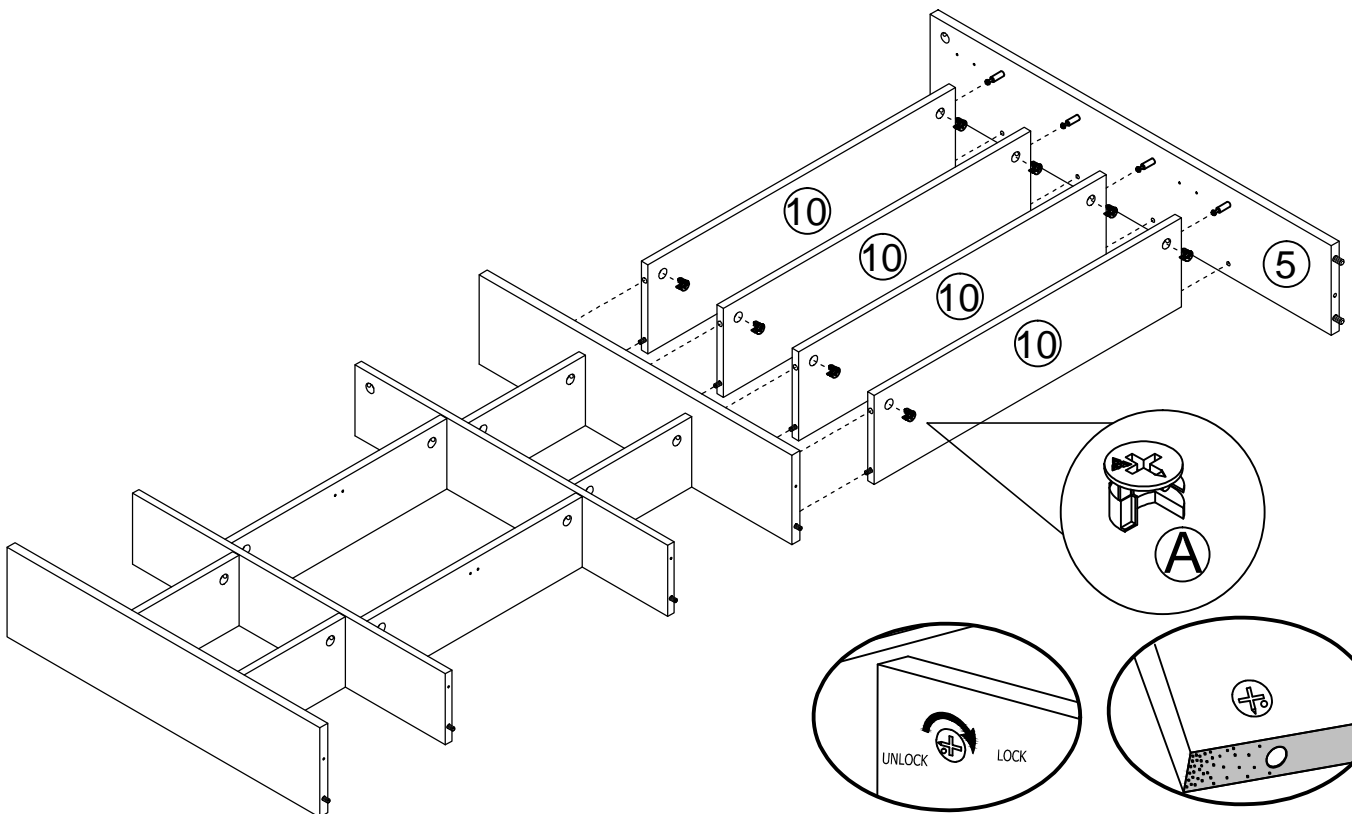
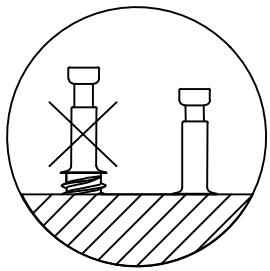
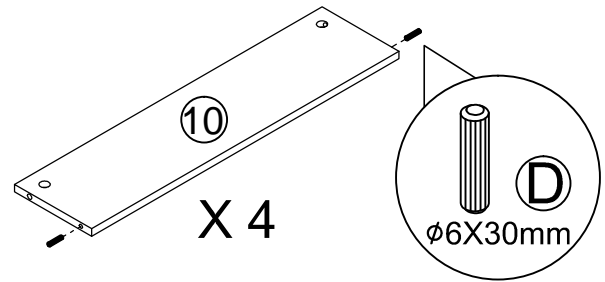
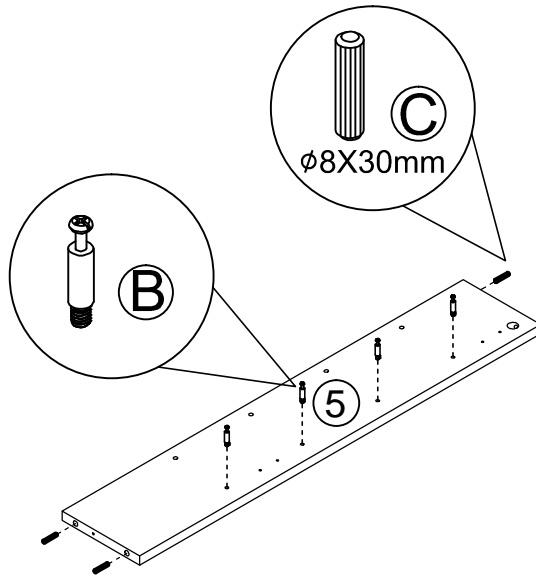
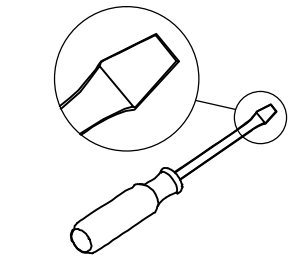
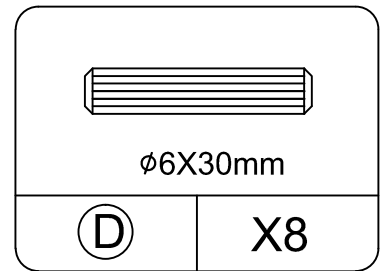
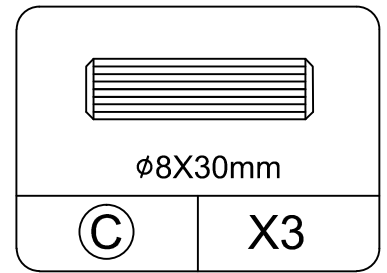
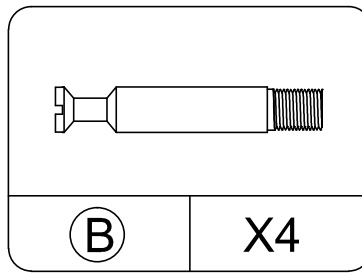
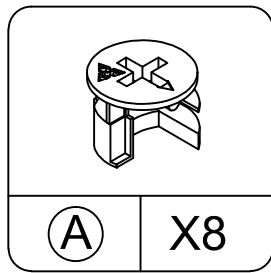
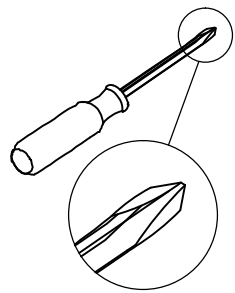


STEP 5

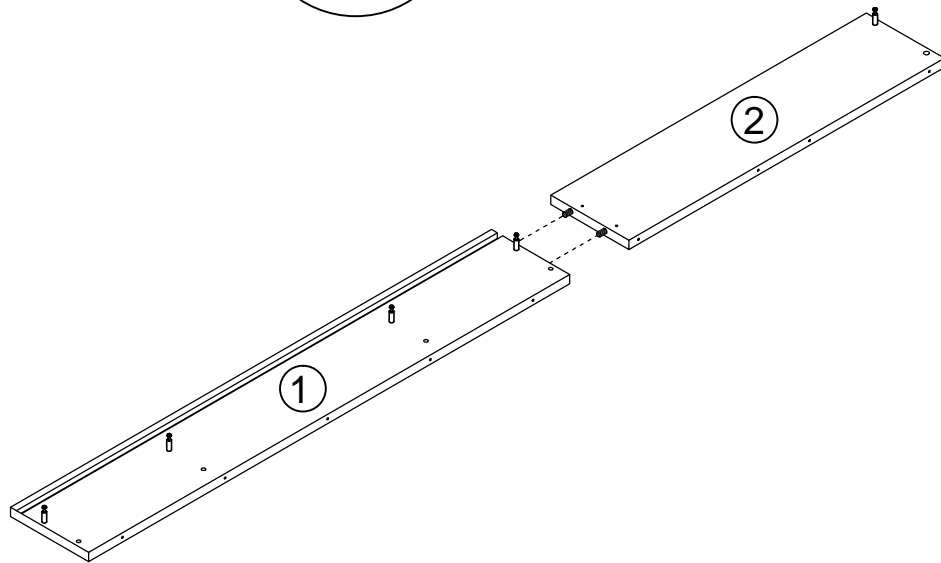
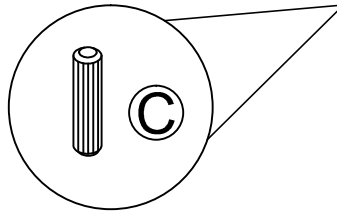
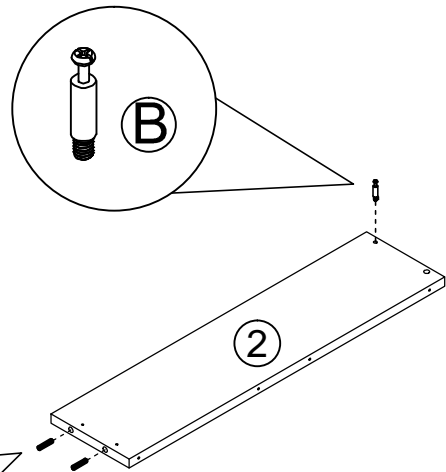
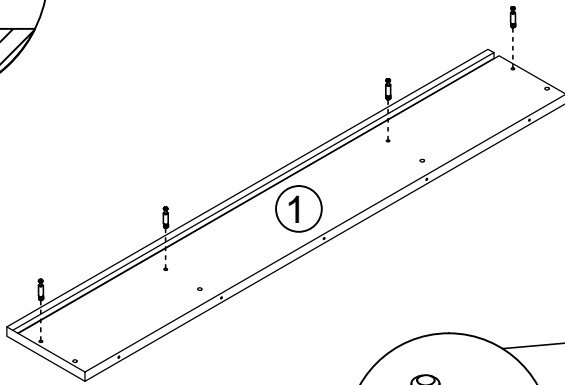
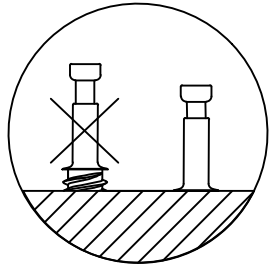
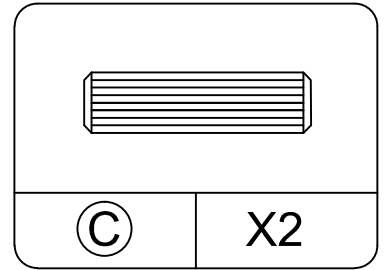
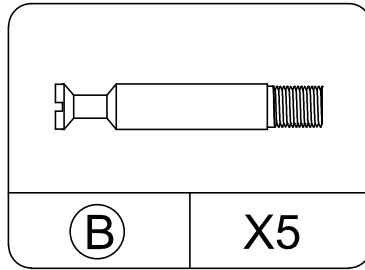
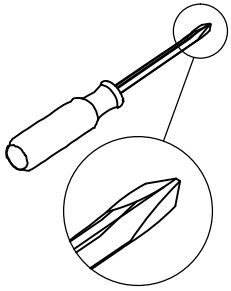


Proper orientation of CAM LOCK

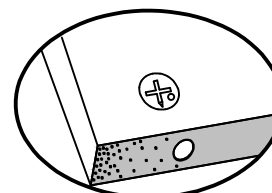
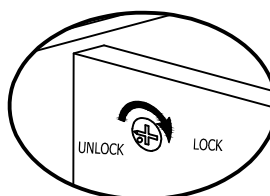
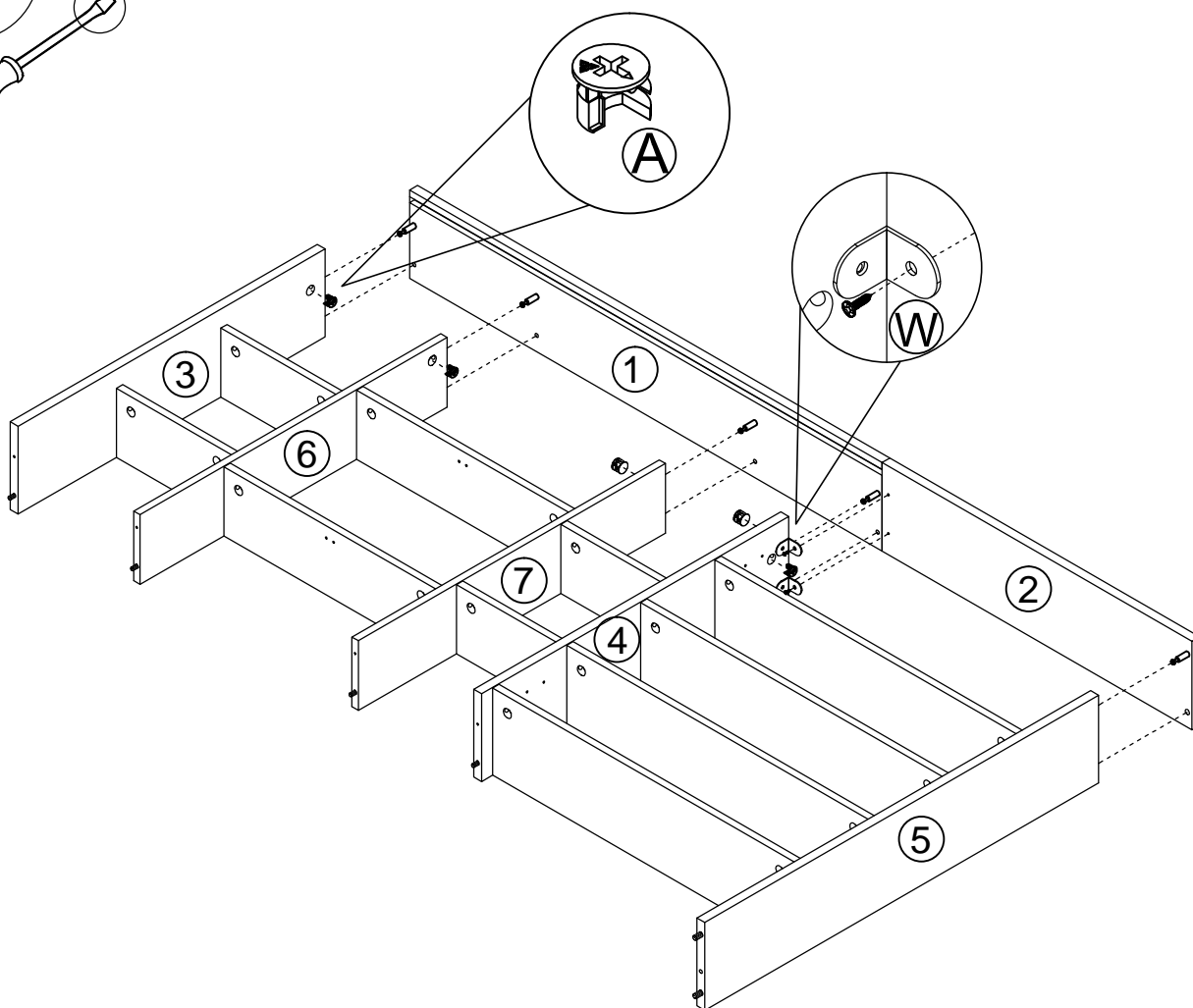
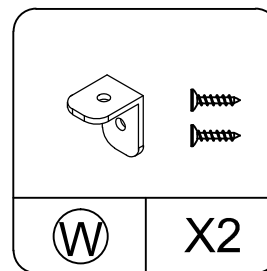
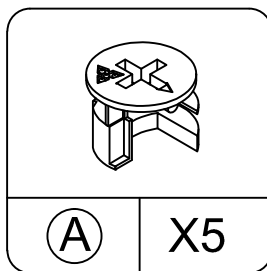
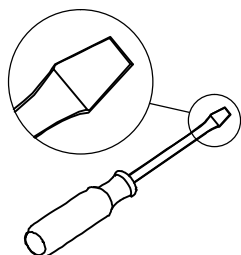
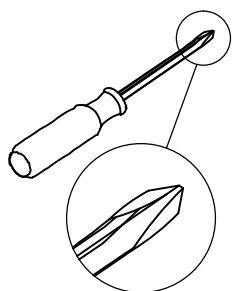
STEP 6



STEP 7

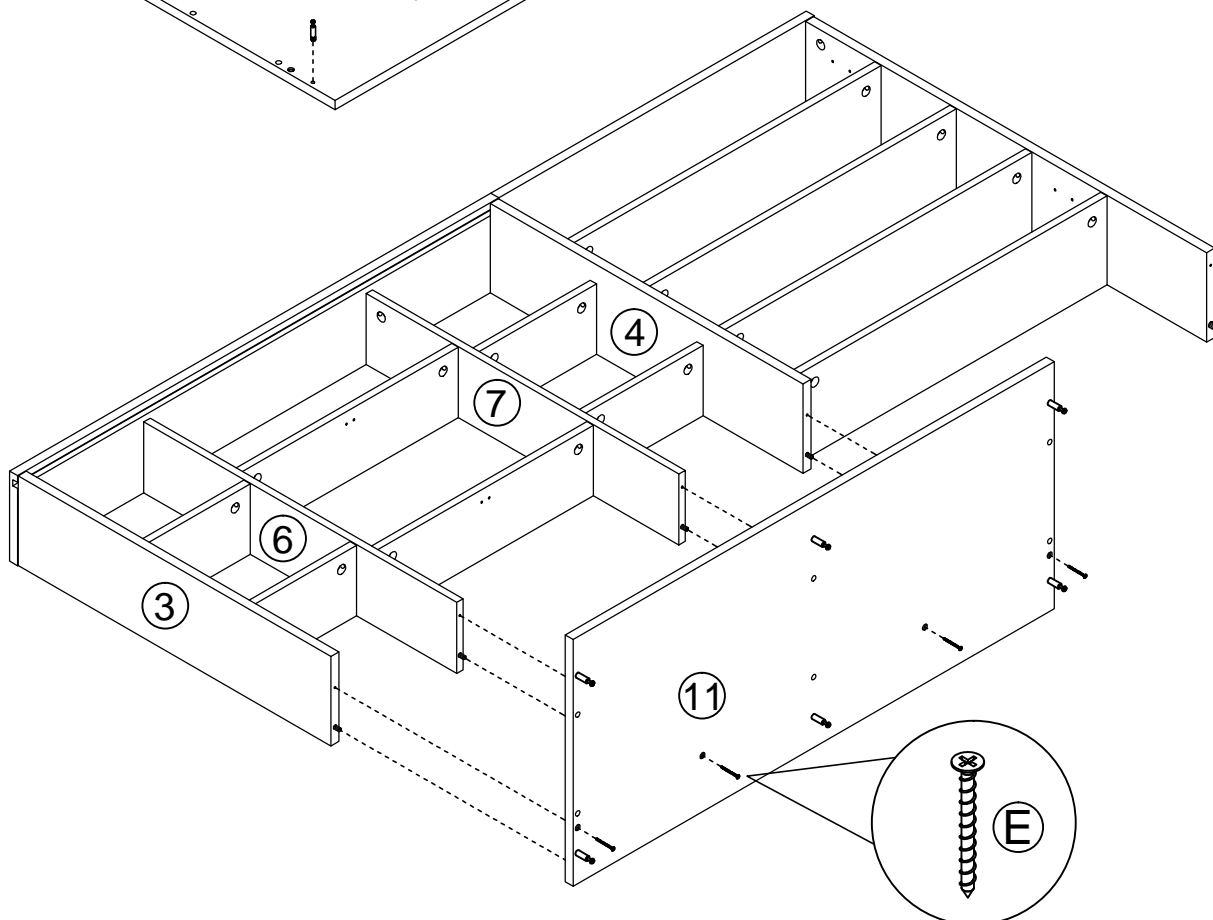
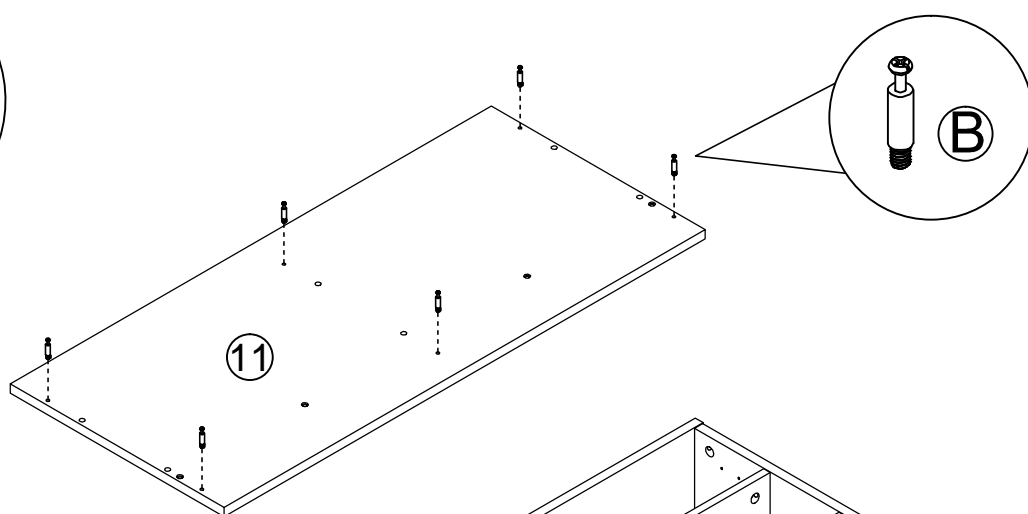
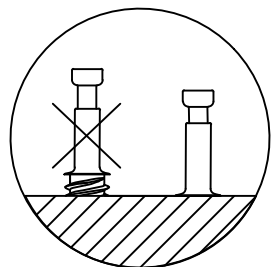
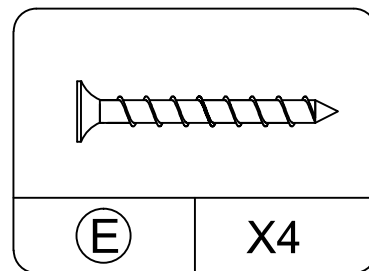
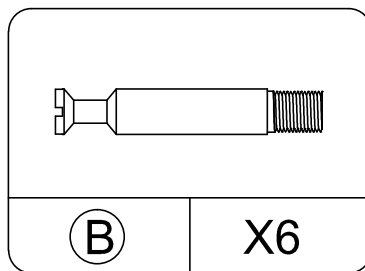
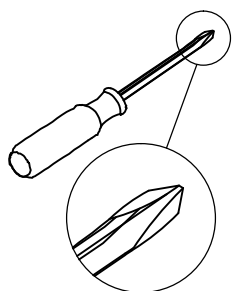


STEP 8

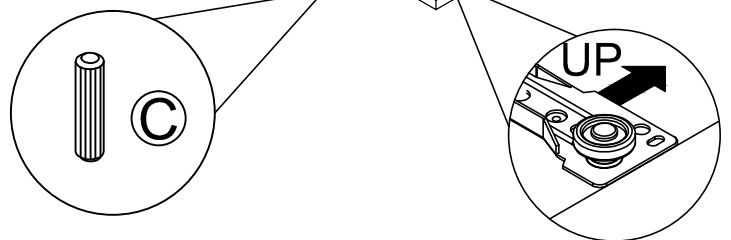
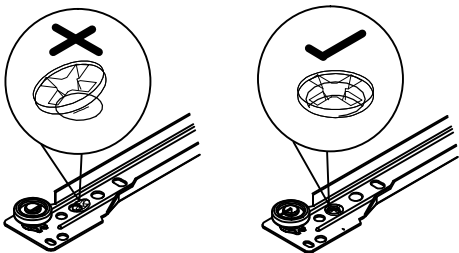
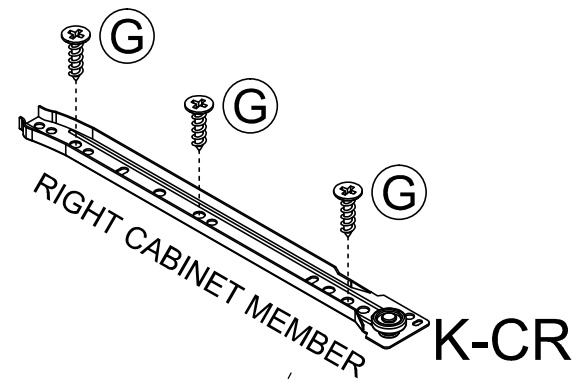
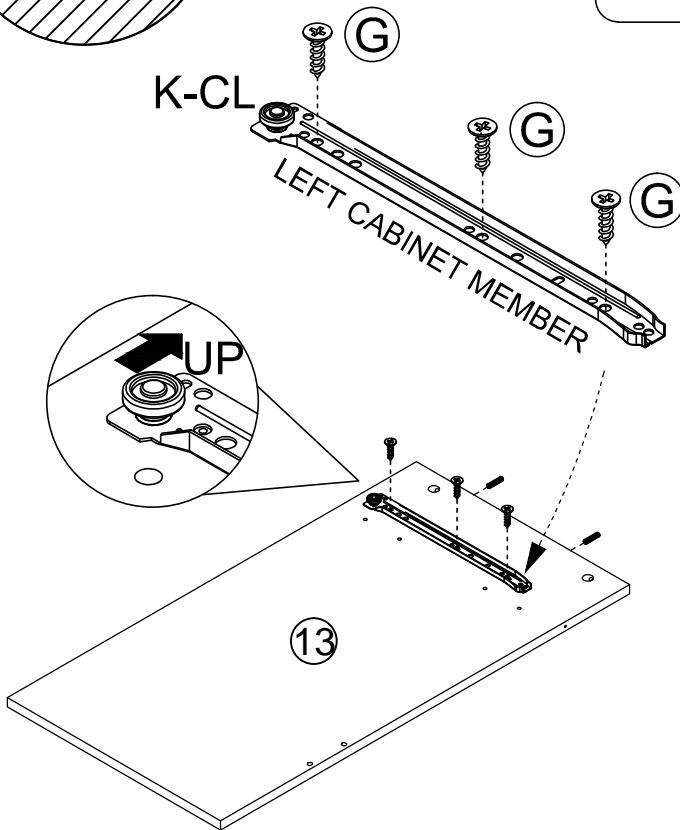
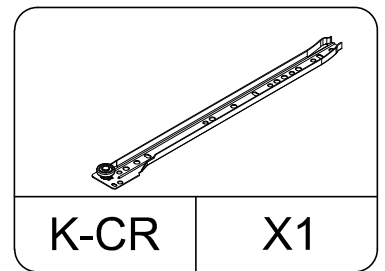
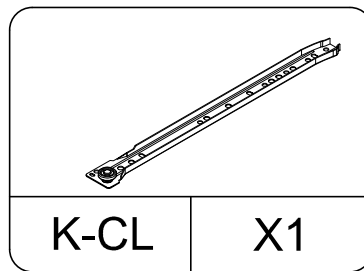
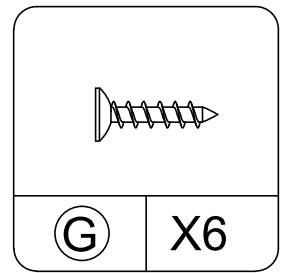
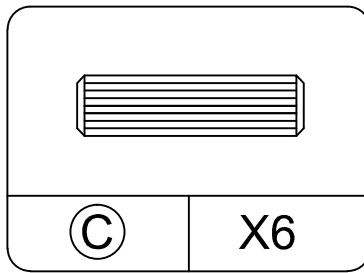
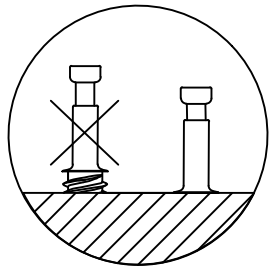
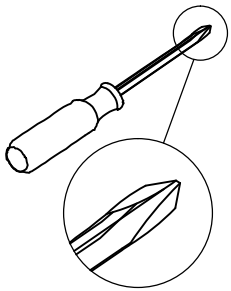


Proper orientation of CAM LOCK

STEP 9

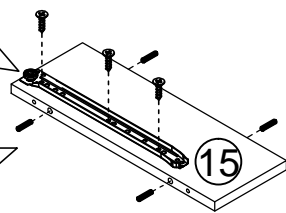
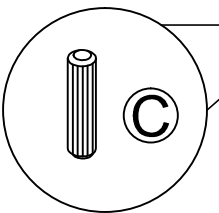
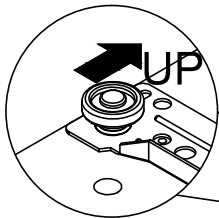
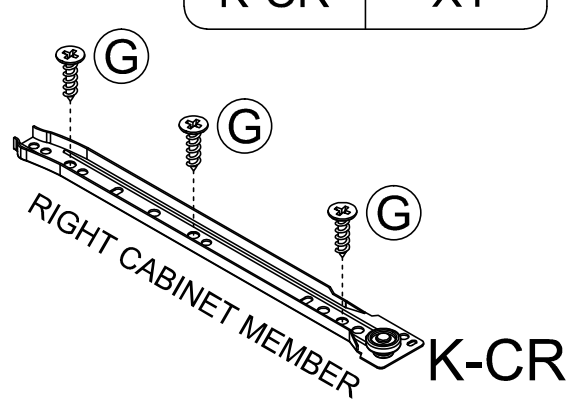
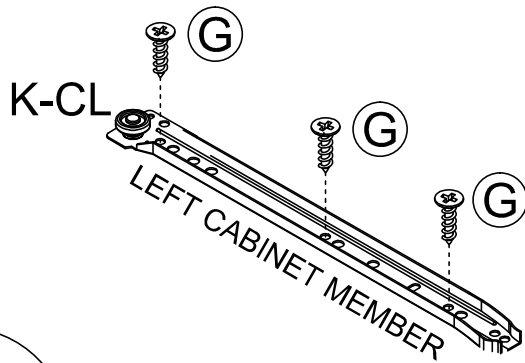
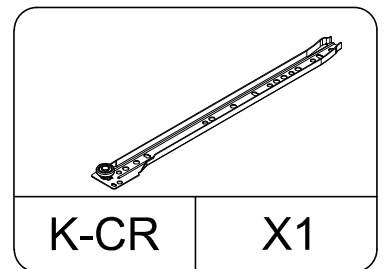
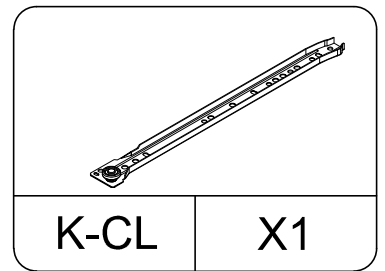
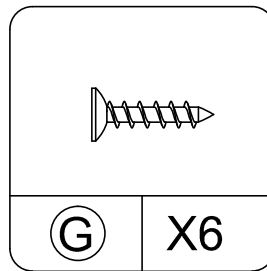
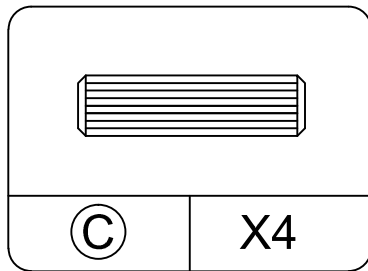
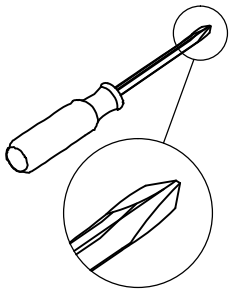


STEP10

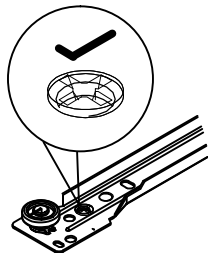
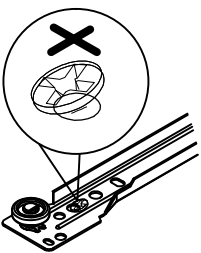
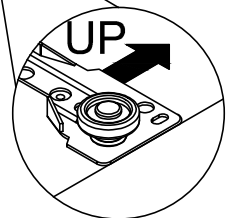
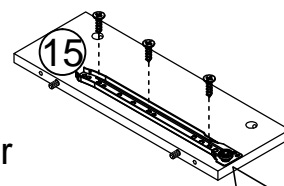


Please make sure that the screw is VERTICAL so as not to affect the sliding of the drawer.

STEP11

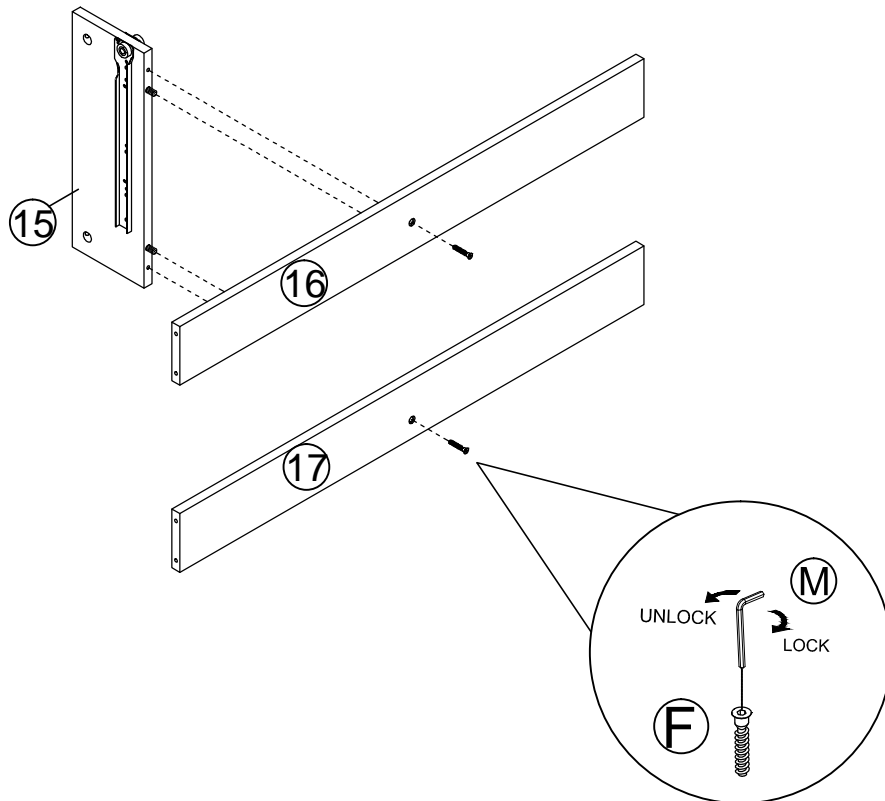
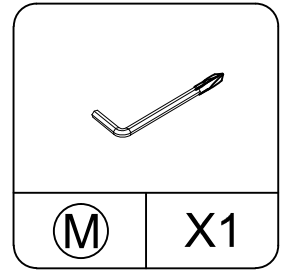
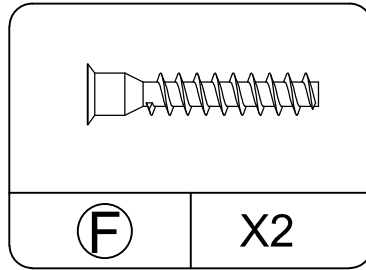
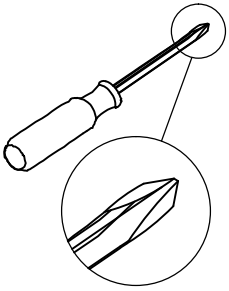


Turn part ⑮ over

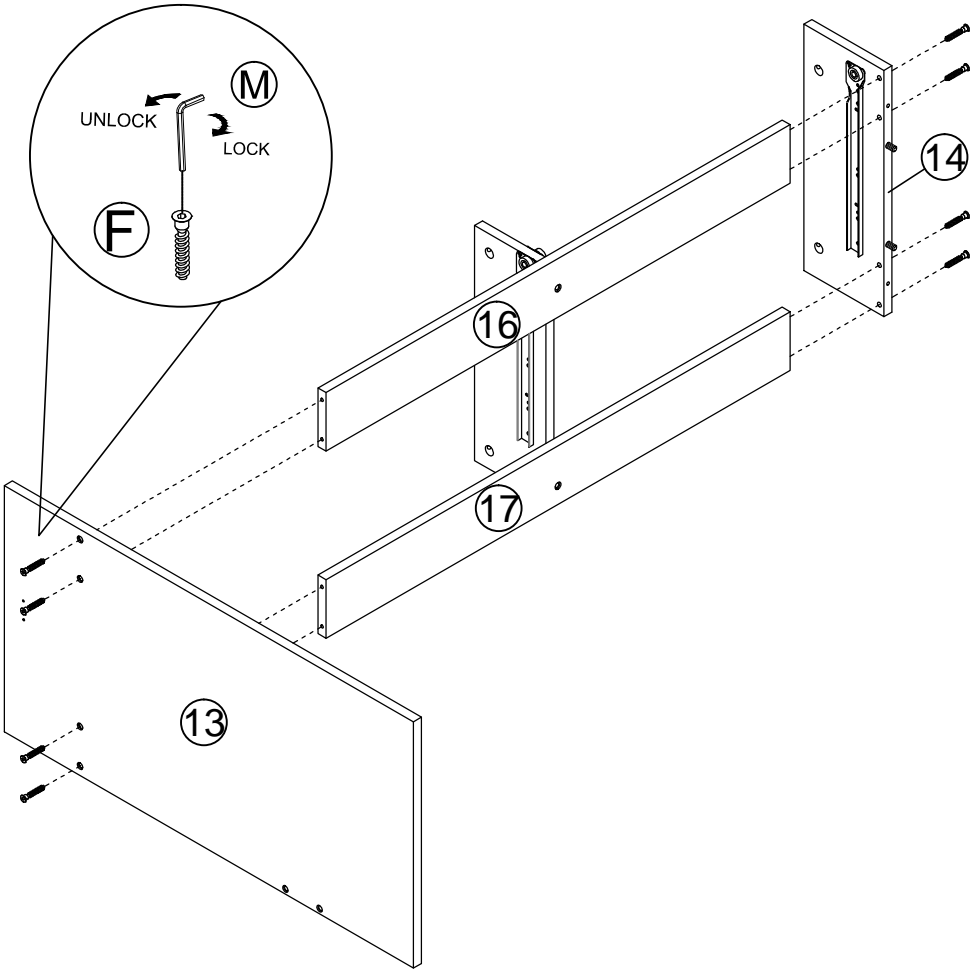
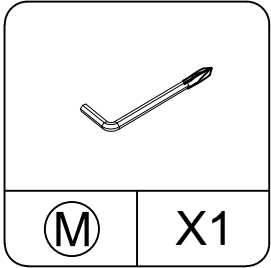
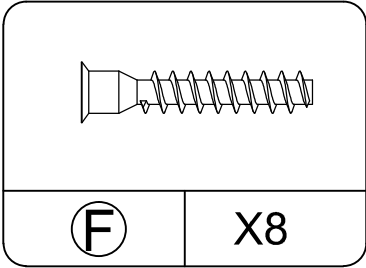


Please make sure that the screw is VERTICAL so as not to affect the sliding of the drawer.

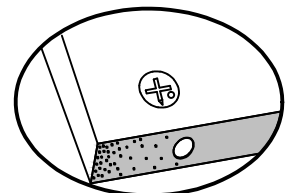
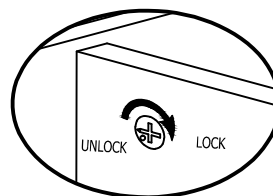
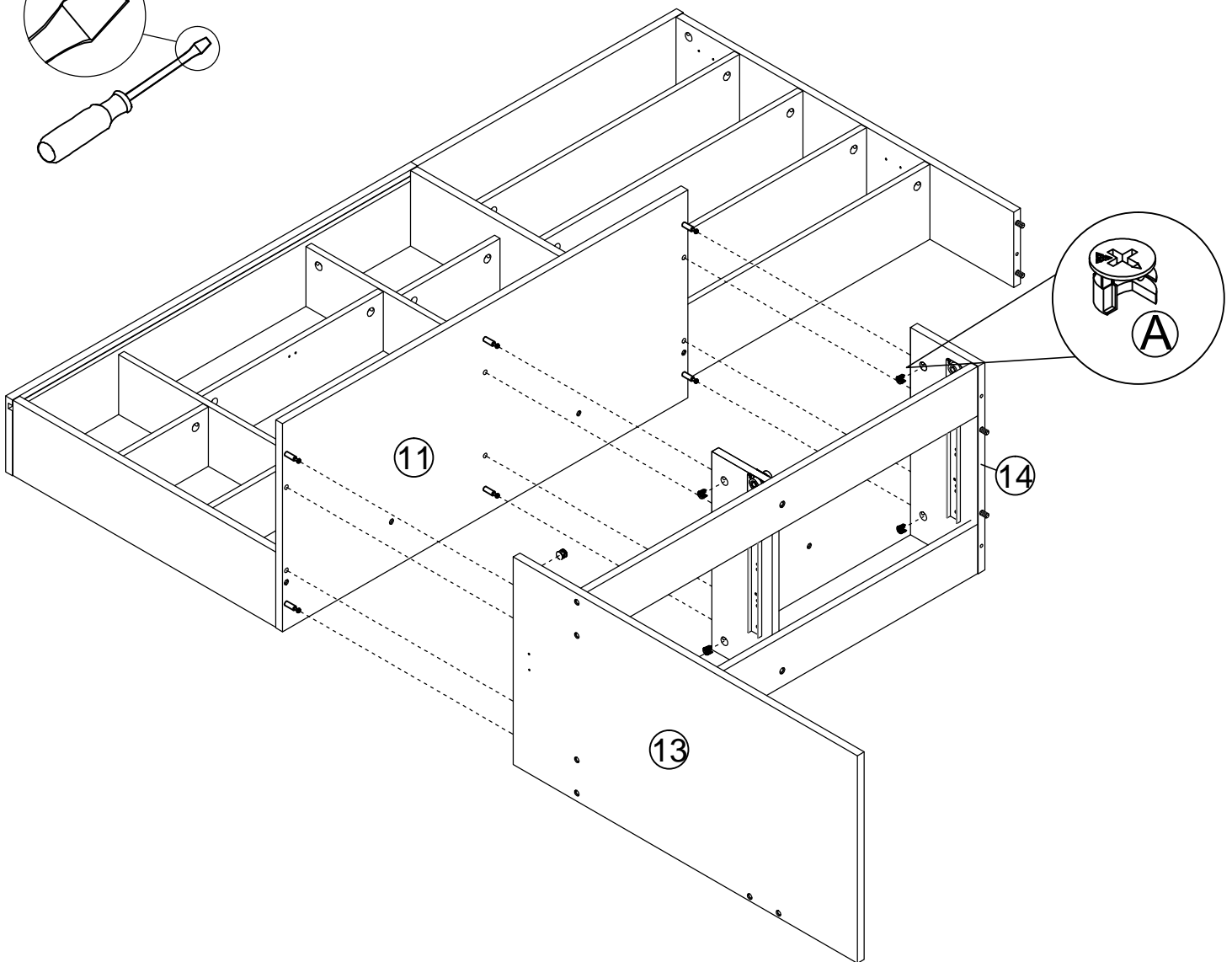
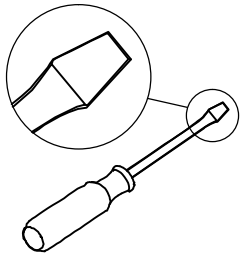
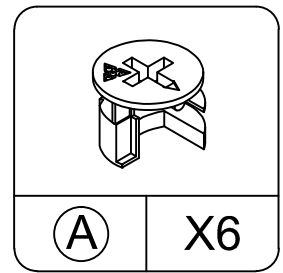
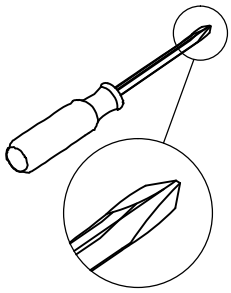
STEP12



STEP13

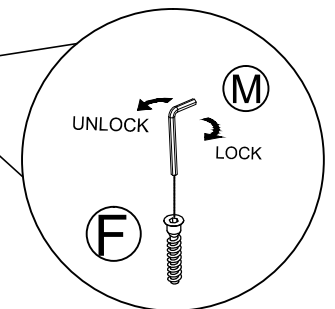
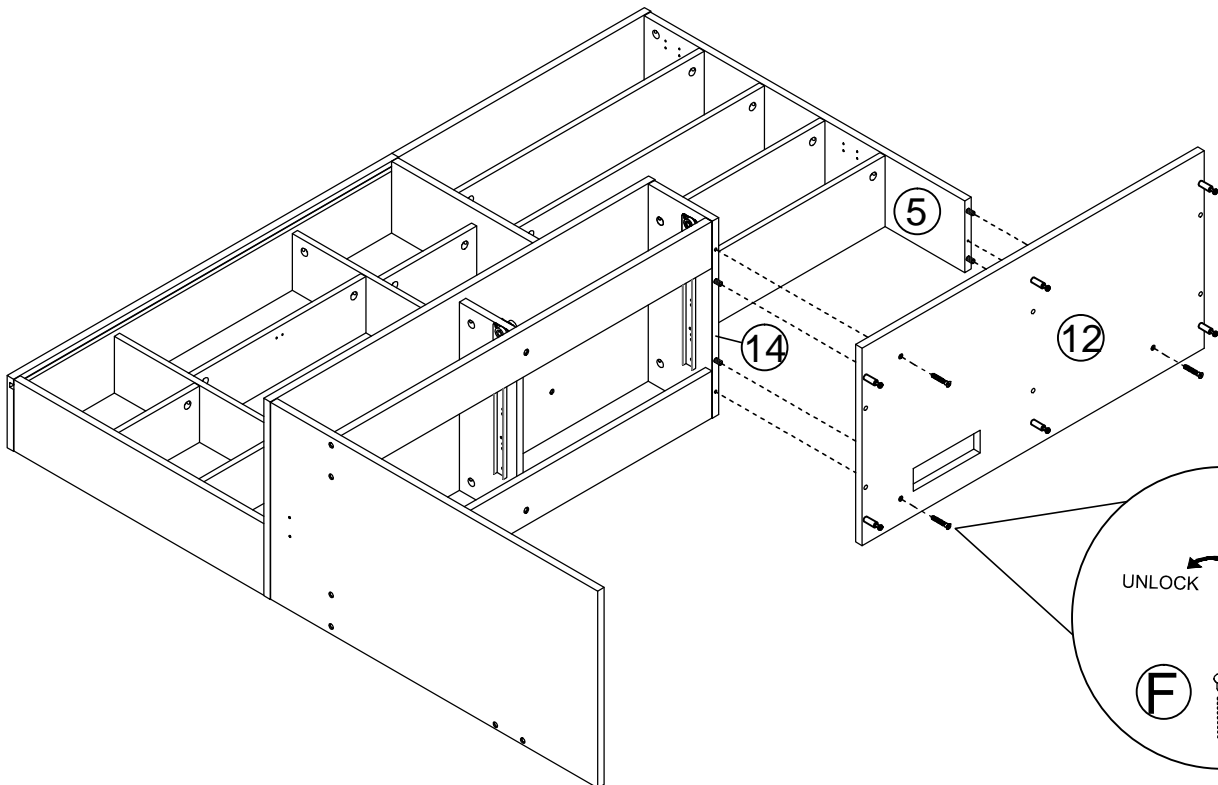
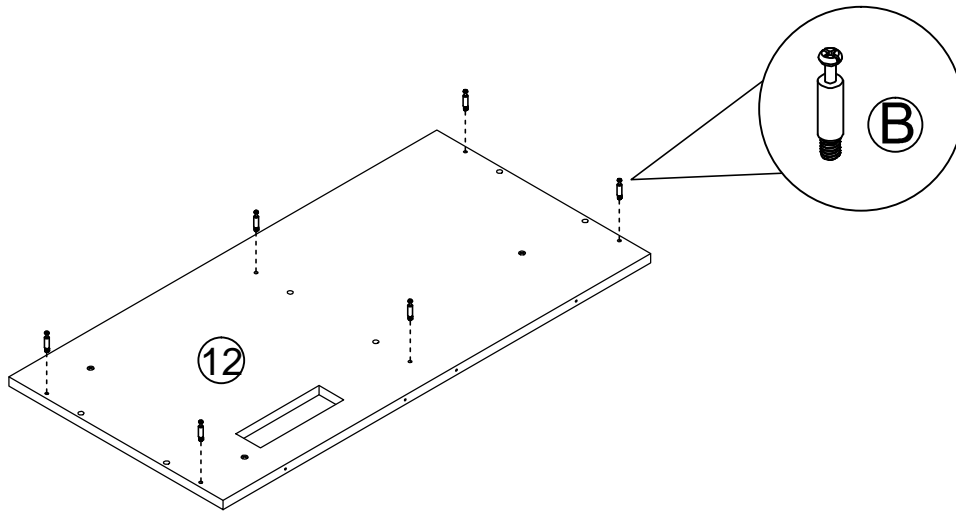
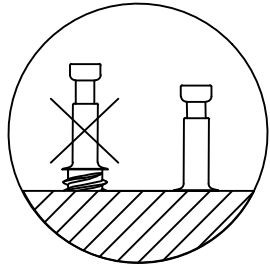
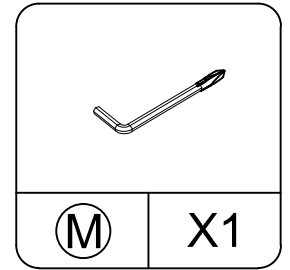
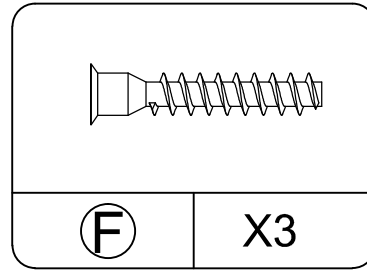
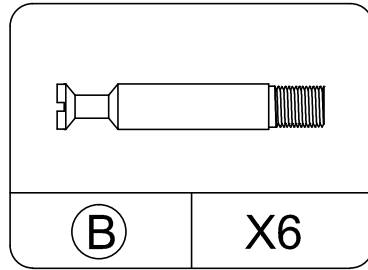
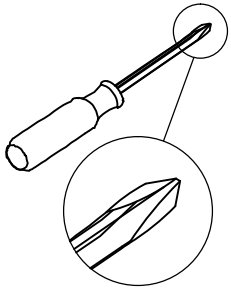


STEP14

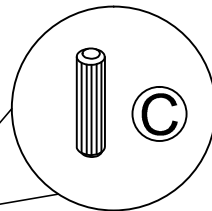
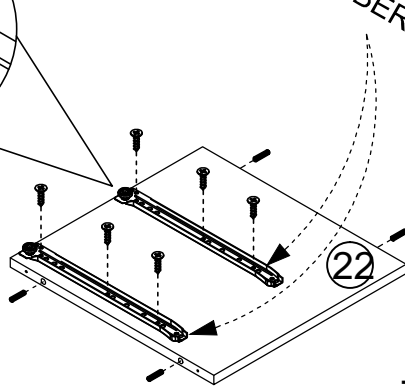
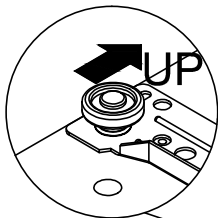
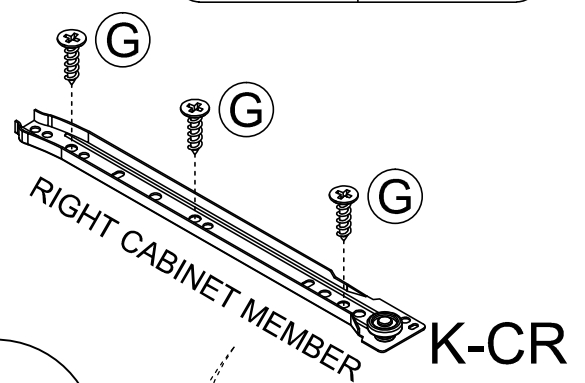
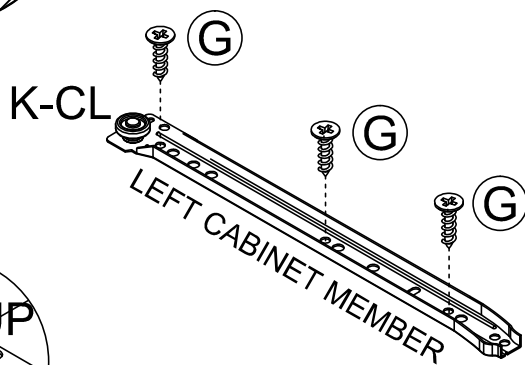
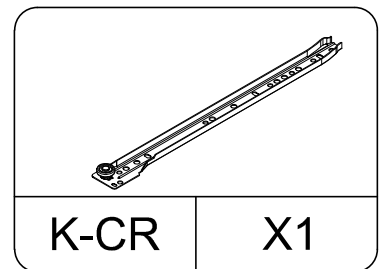
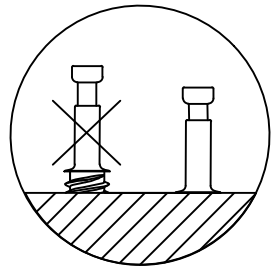
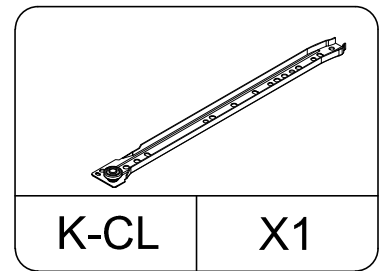
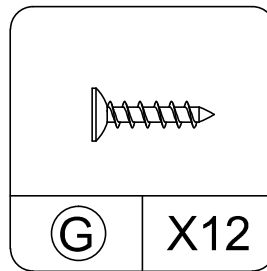
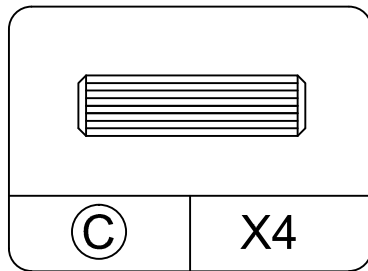
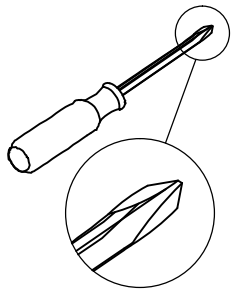


Proper orientation of CAM LOCK

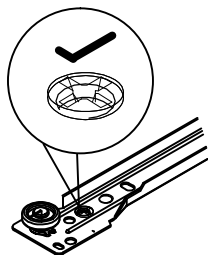
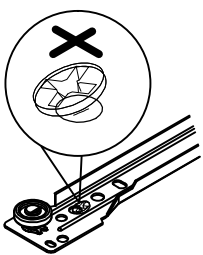
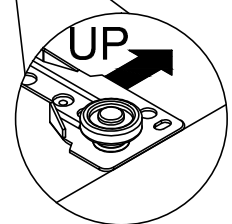
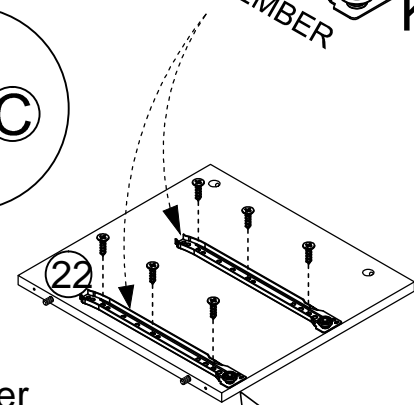
STEP15



STEP17

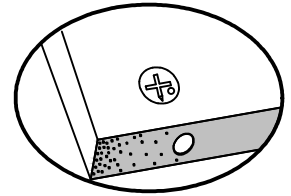
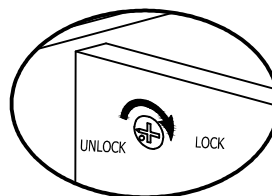
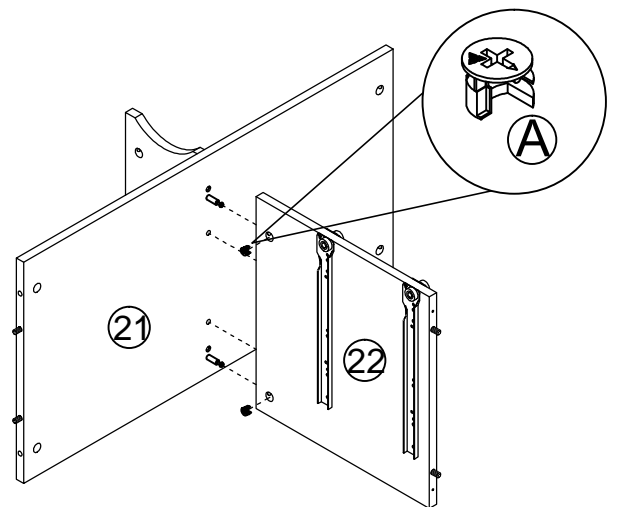
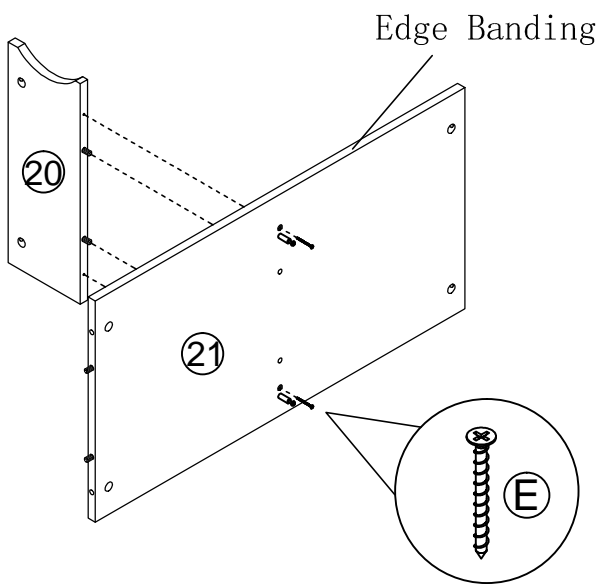
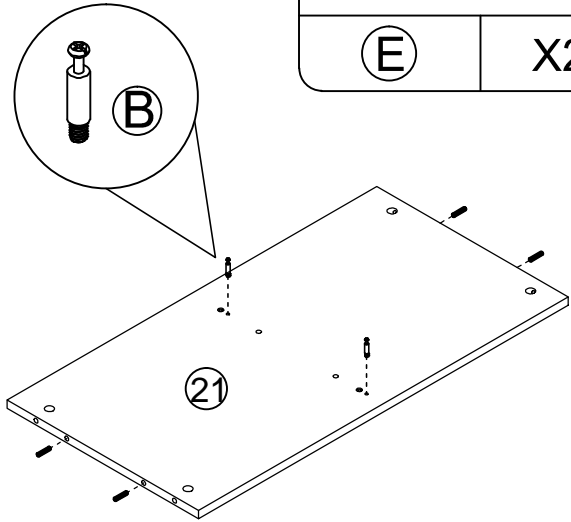
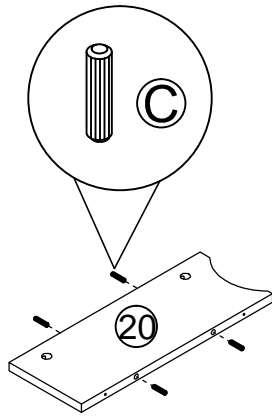
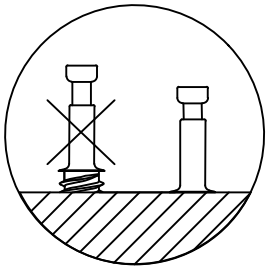
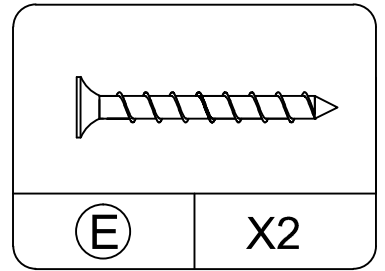
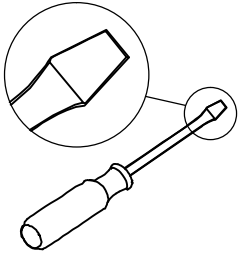
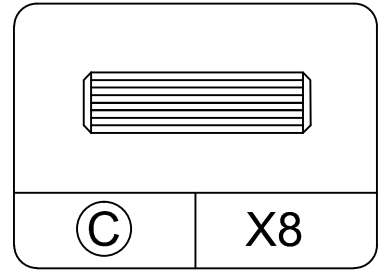
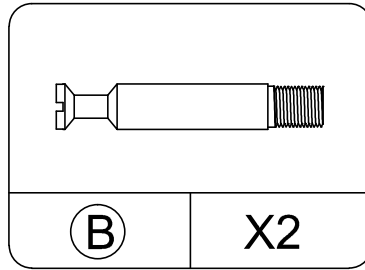
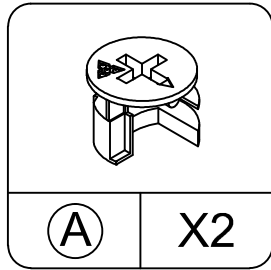
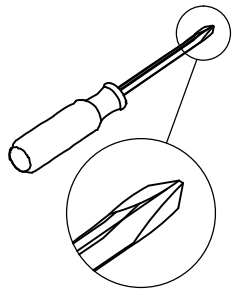


Turn part 22 over



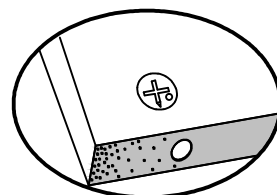
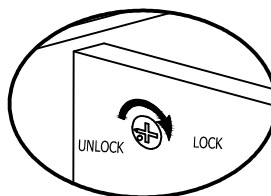
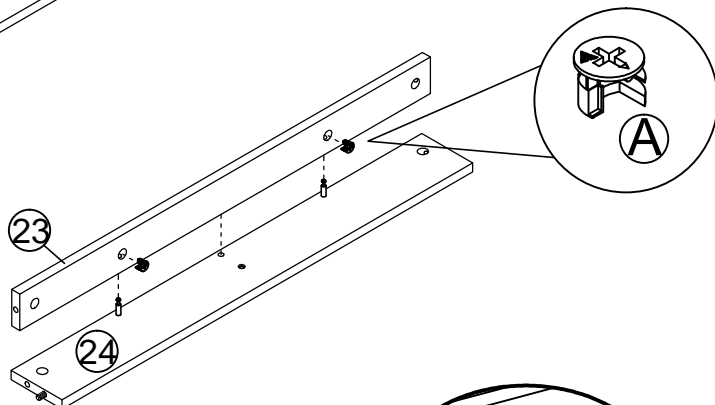
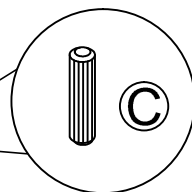
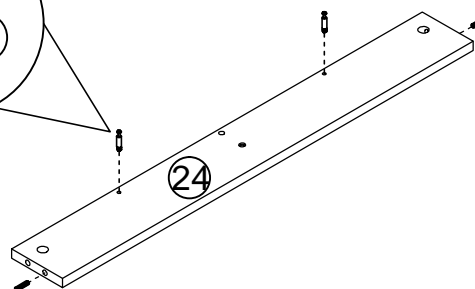
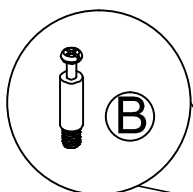
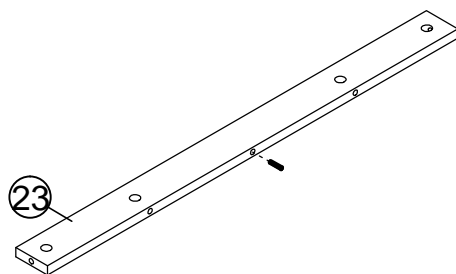
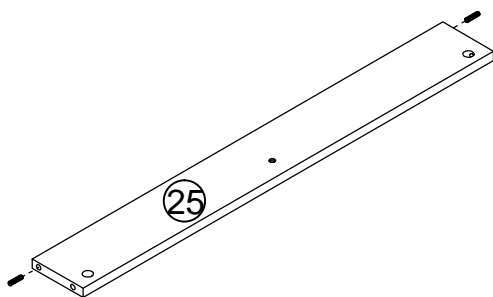
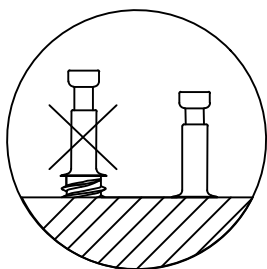
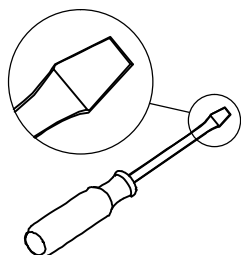
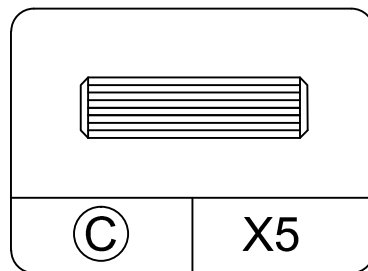
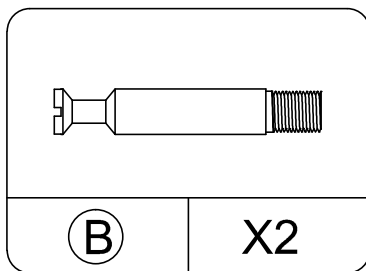
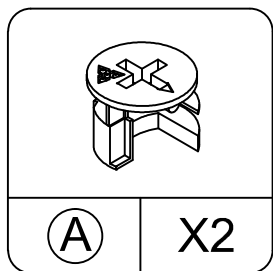
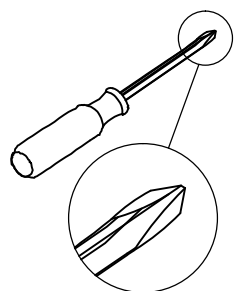
Please make sure that the screw is VERTICAL so as not to affect the sliding of the drawer.

STEP18



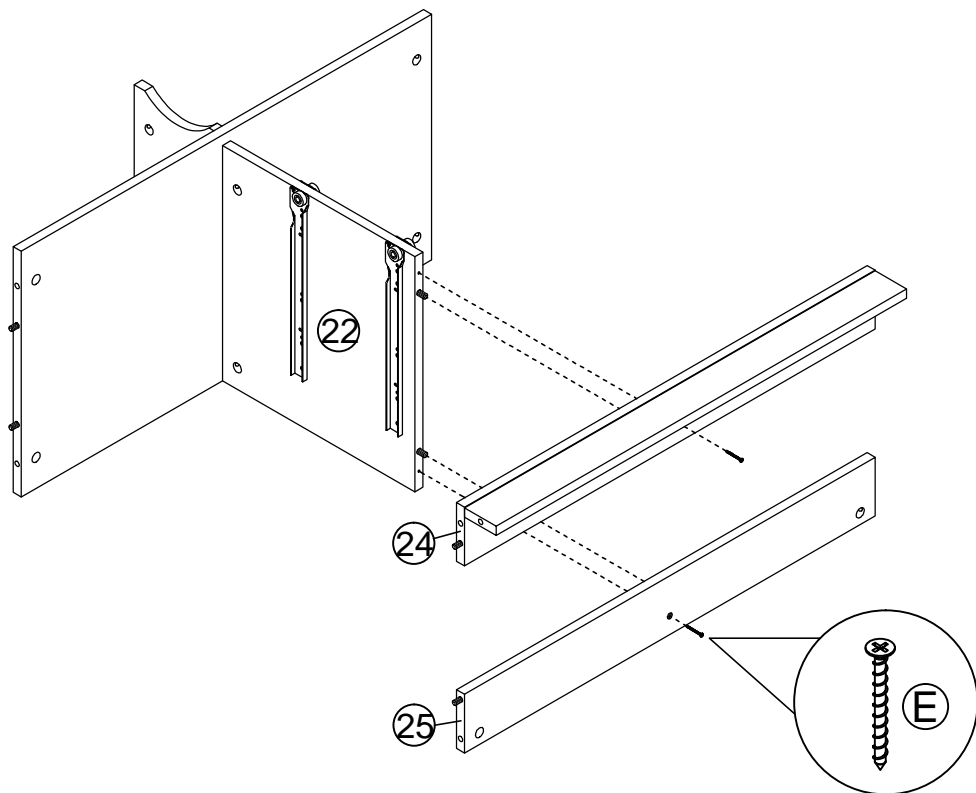
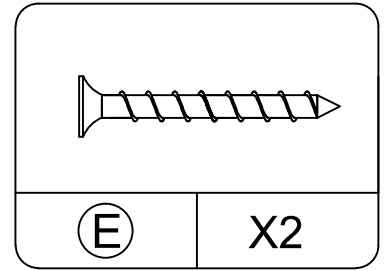
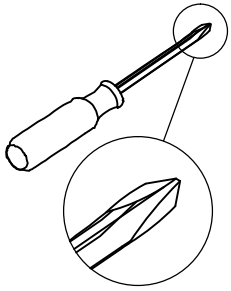
Proper orientation of CAM LOCK

STEP19

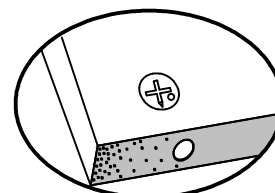
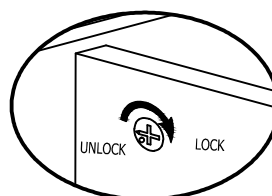
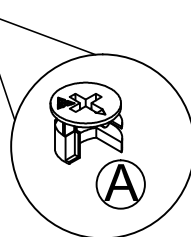
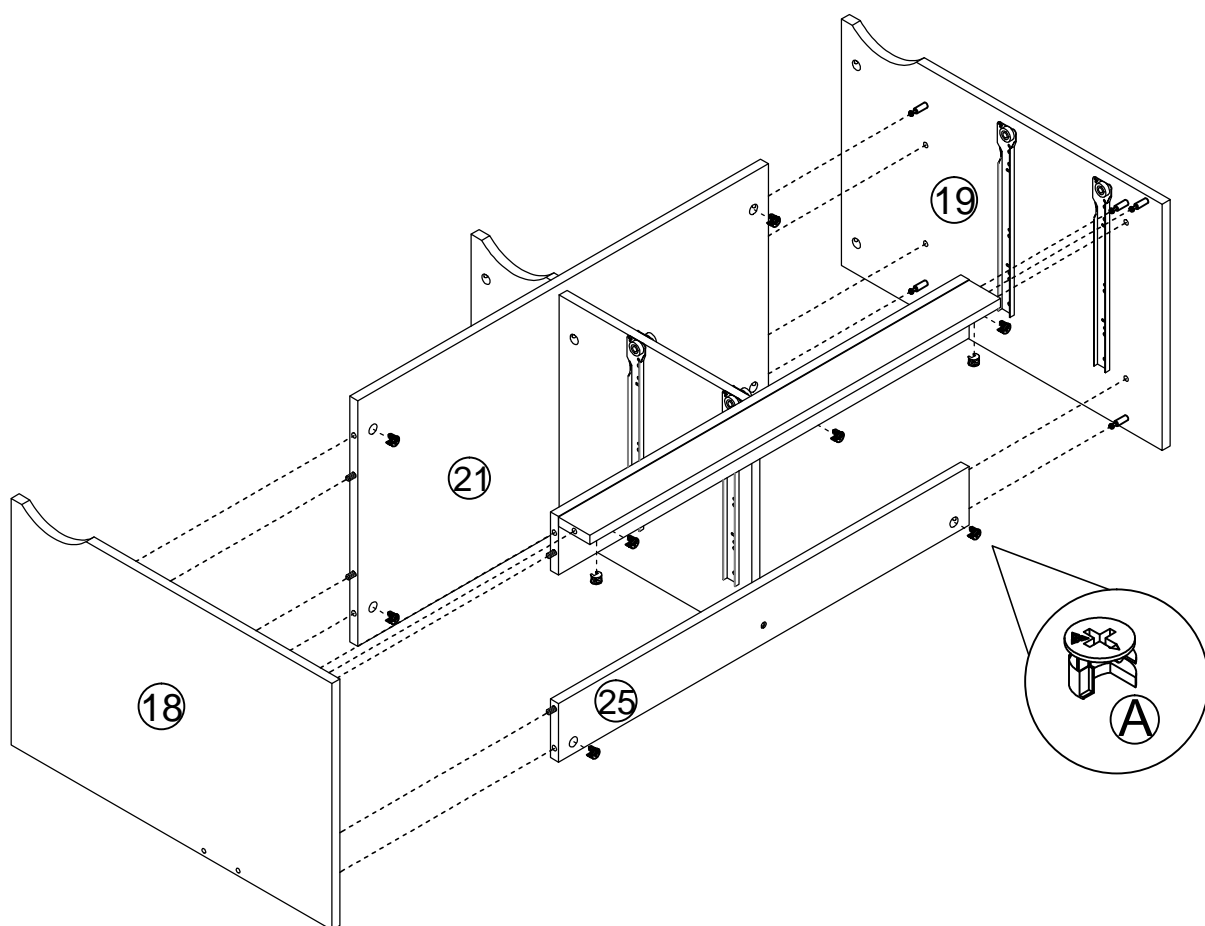
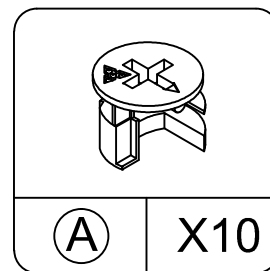
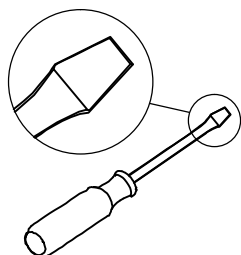
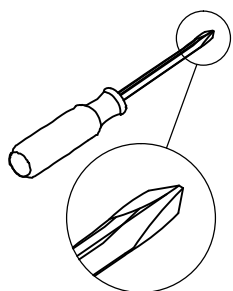


Proper orientation of CAM LOCK

STEP20

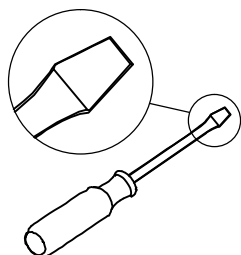
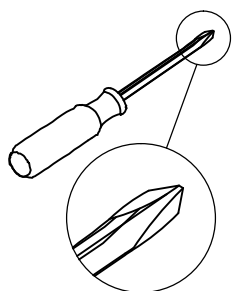


STEP21

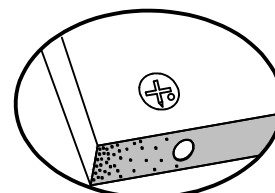
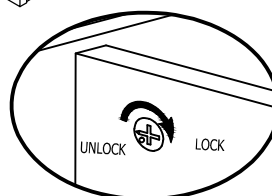
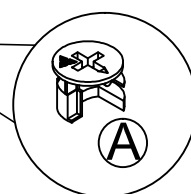
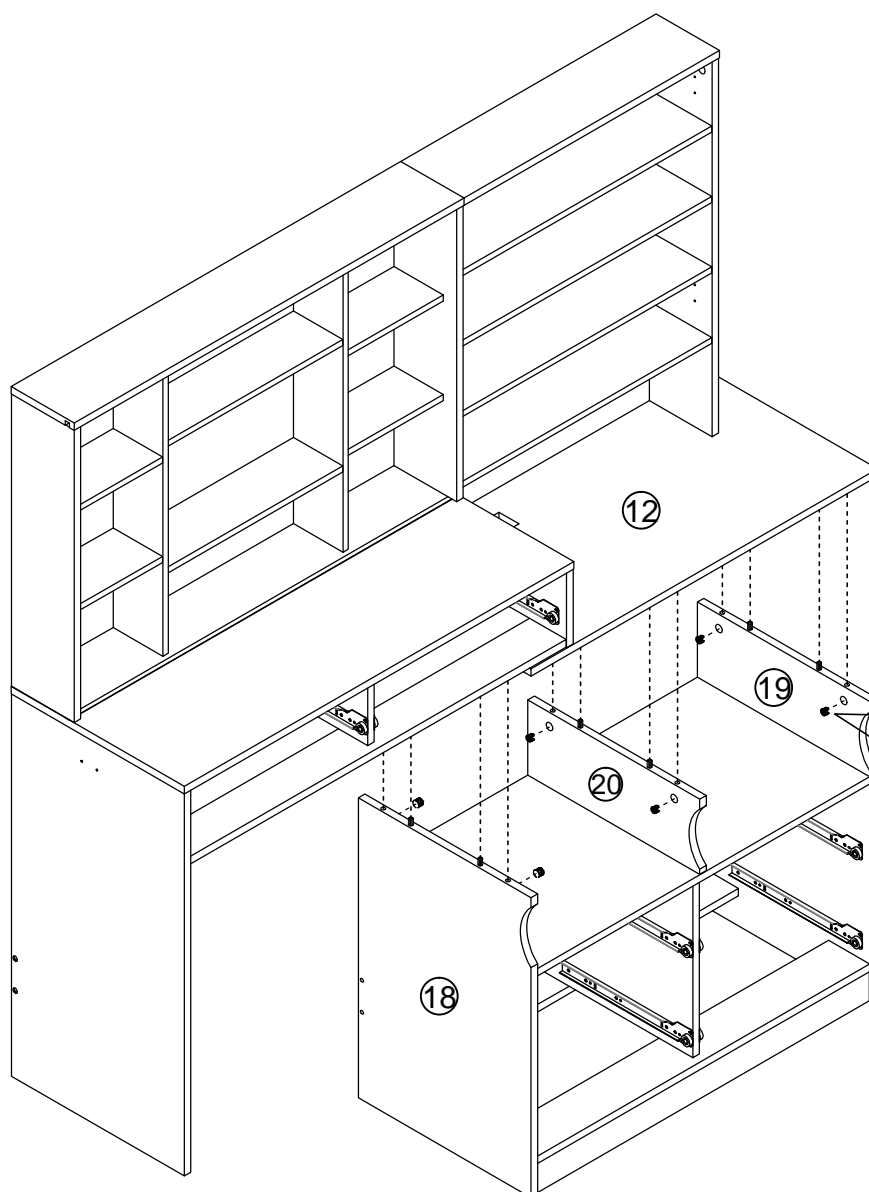
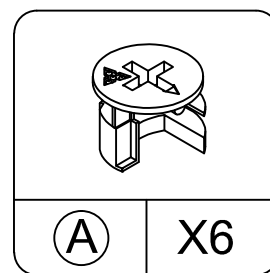


Proper orientation of CAM LOCK

STEP22

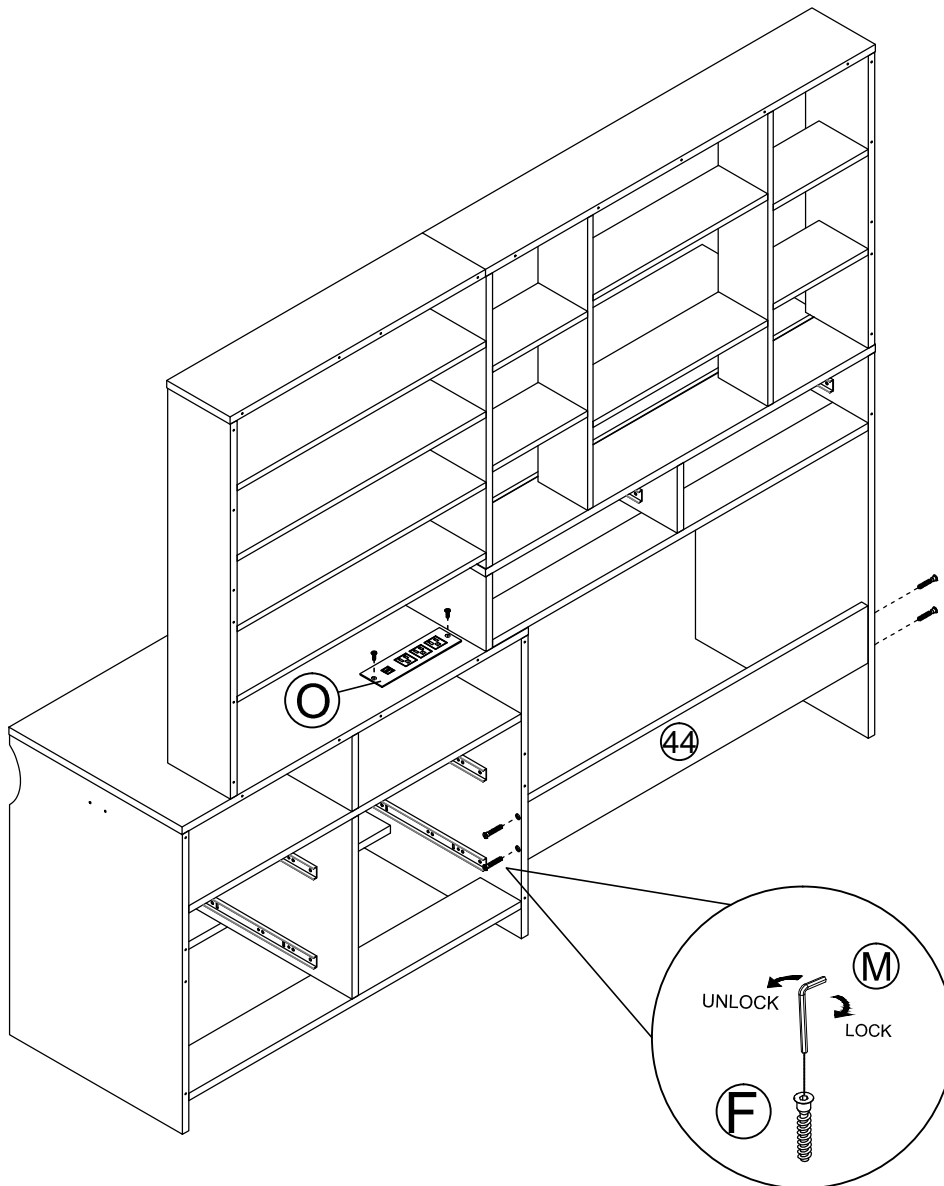
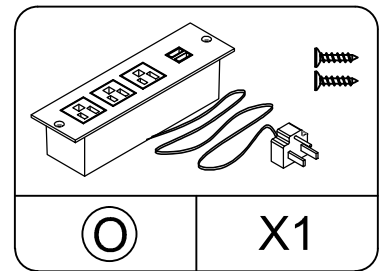
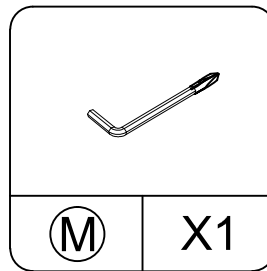
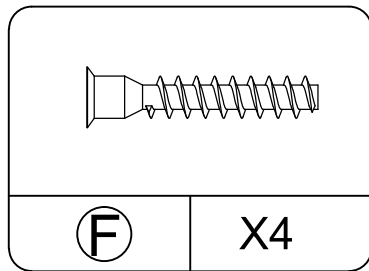
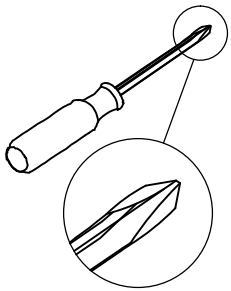


THIS STEP REQUIRES 2 PEOPLE

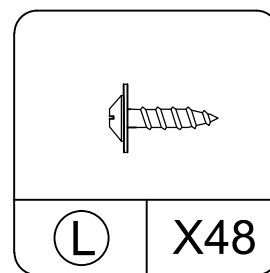
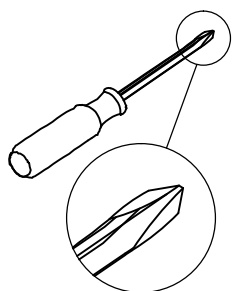


Proper orientation of CAM LOCK

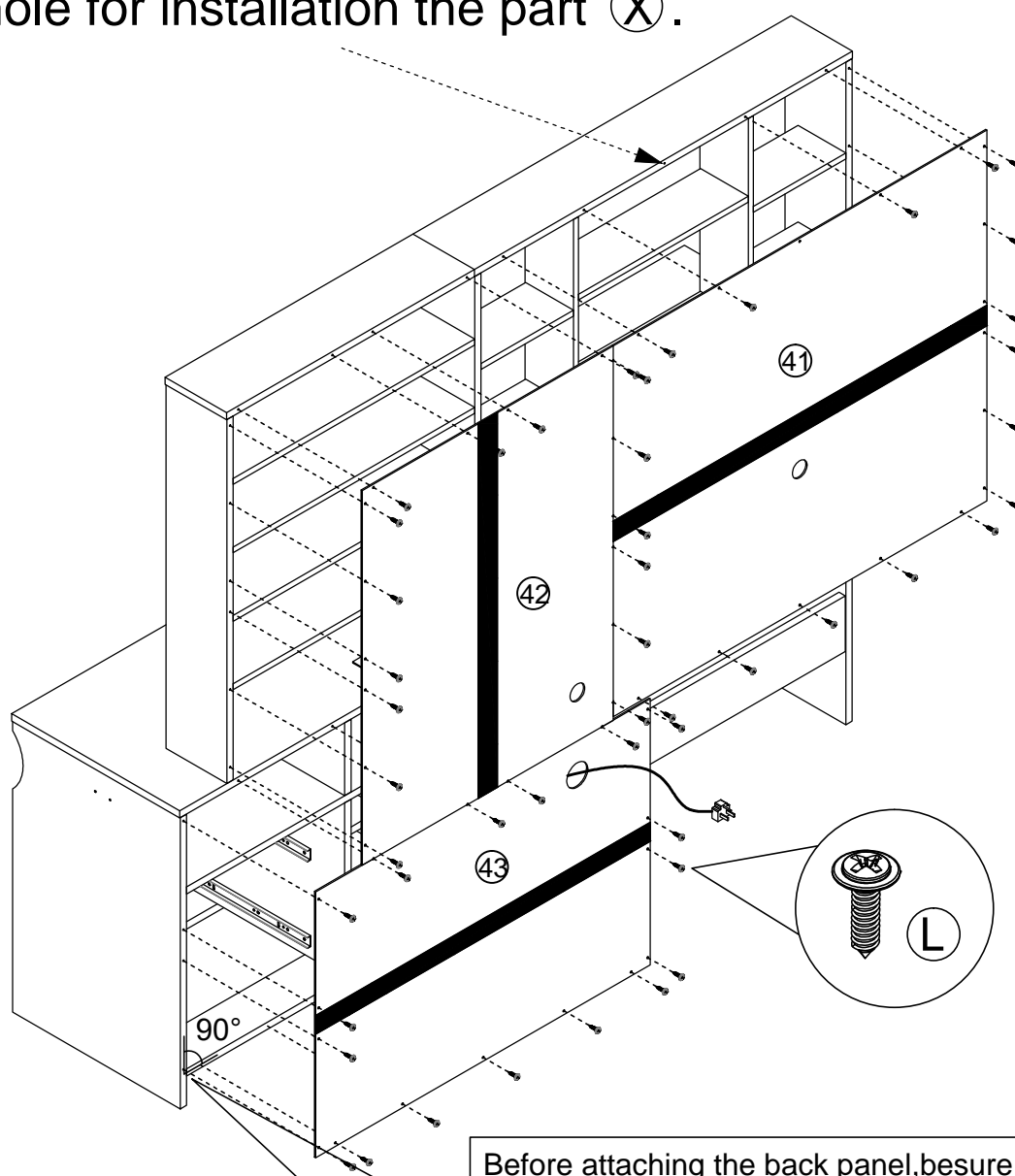
STEP23



STEP24

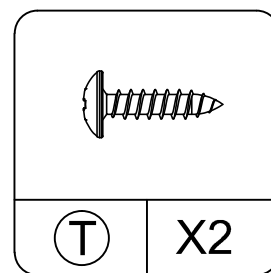
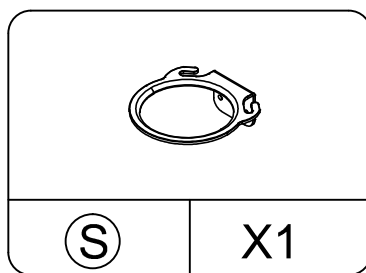
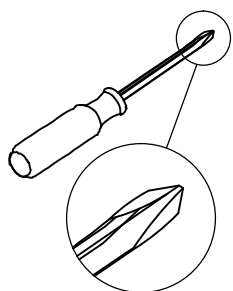


This hole for installation the part (X).

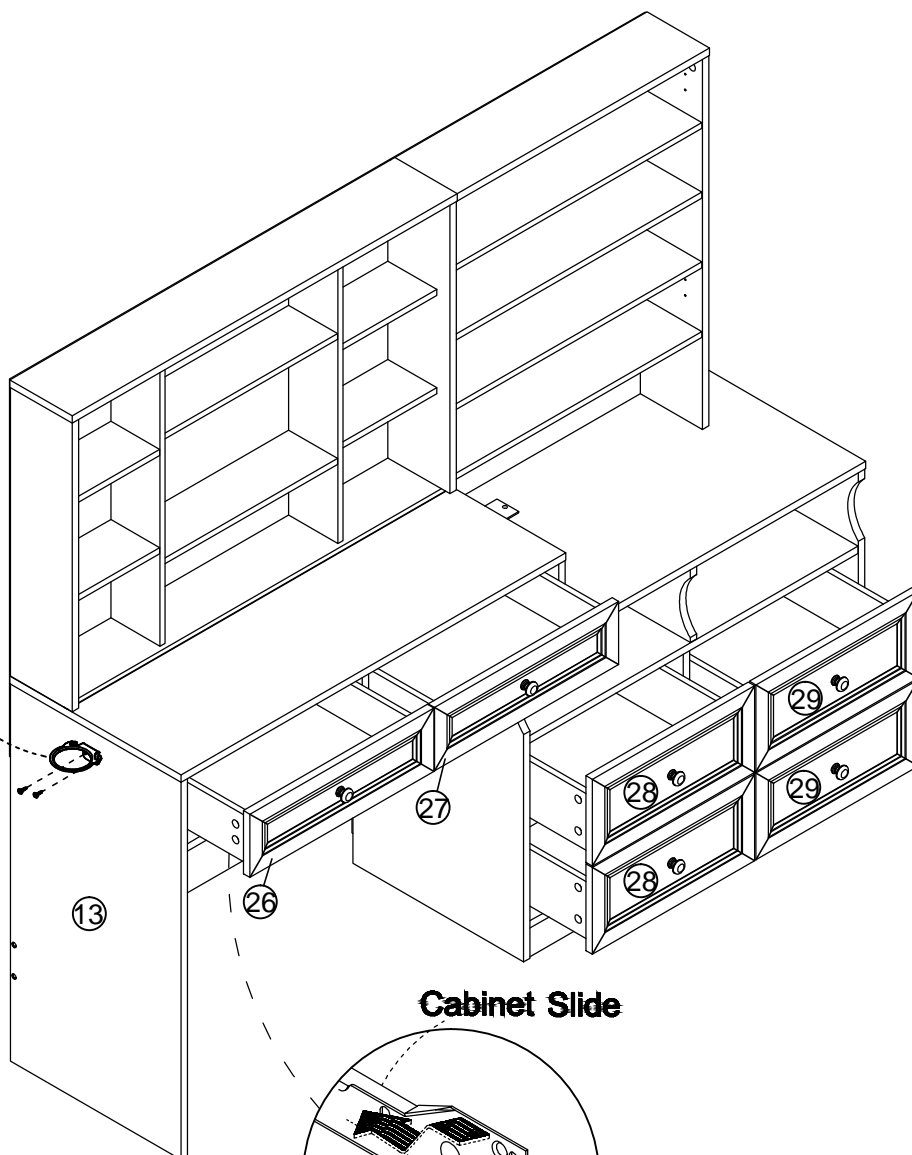
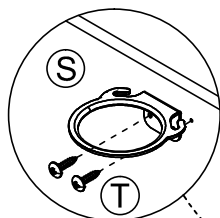


Before attaching the back panel, be sure that the unit is at 90°
Avant d'attacher le panneau arrière, assurez-vous que l'unité est à 90°
Antes de fijar el panel posterior, asegúrese de que la unidad esté a 90°

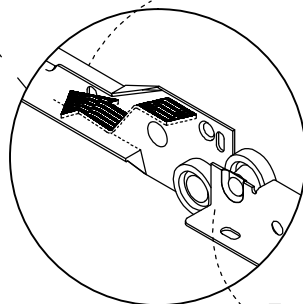
STEP25



According to the needs of customers, Install part ⑤ on the ⑬ or ⑰ board

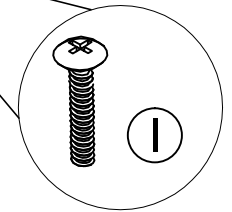
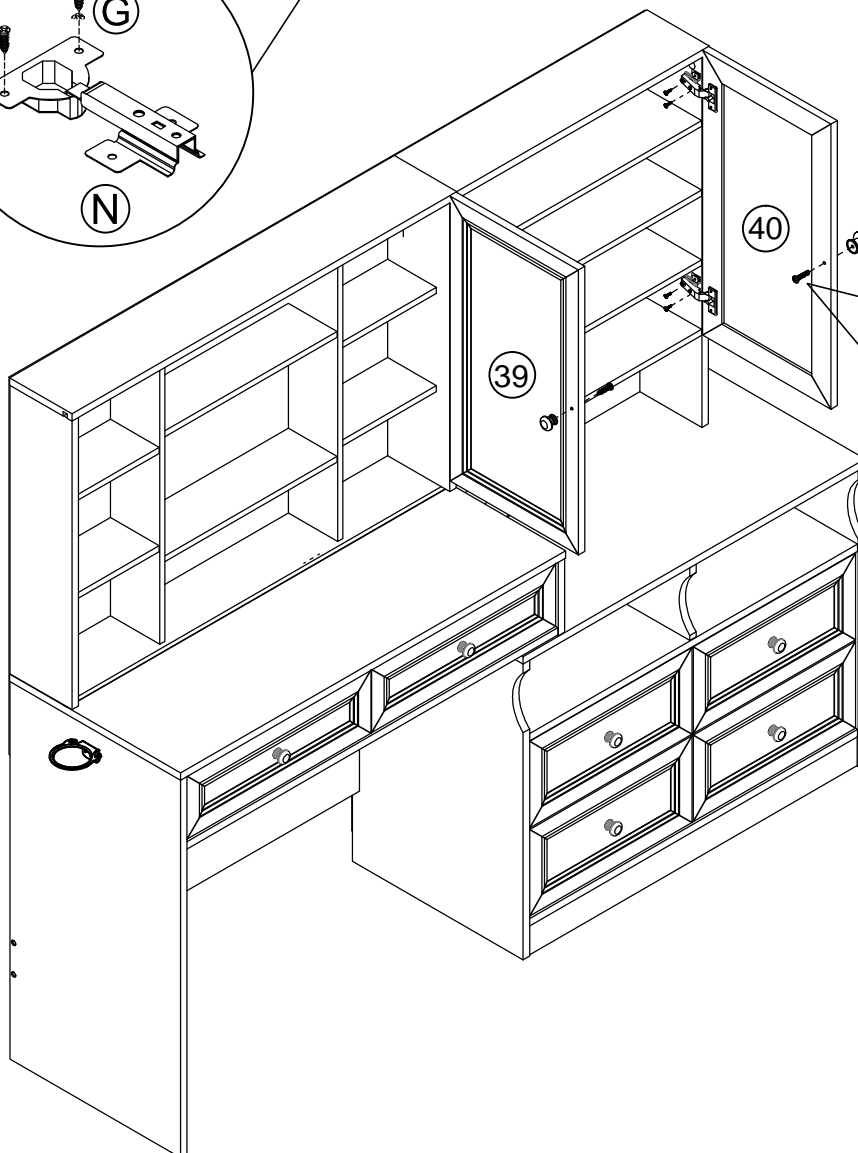
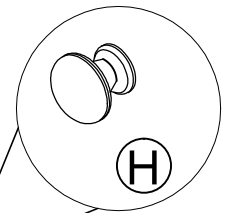
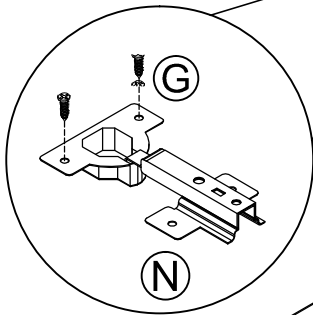
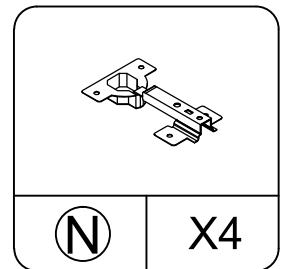
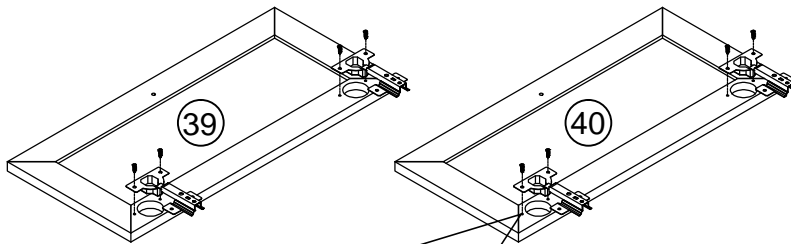
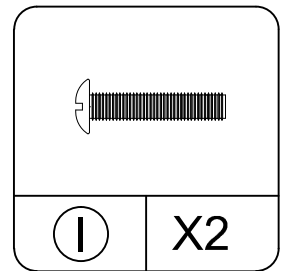
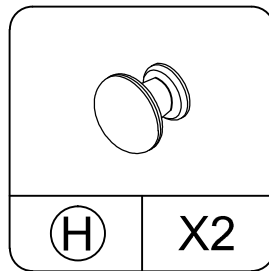
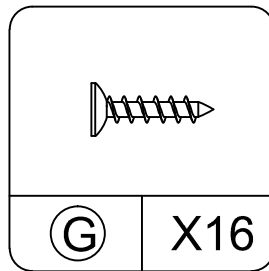
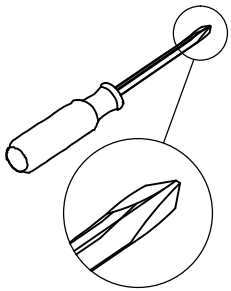


Cabinet Side

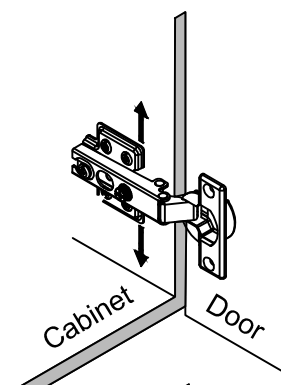
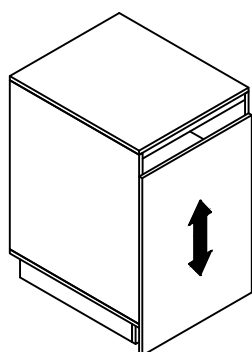
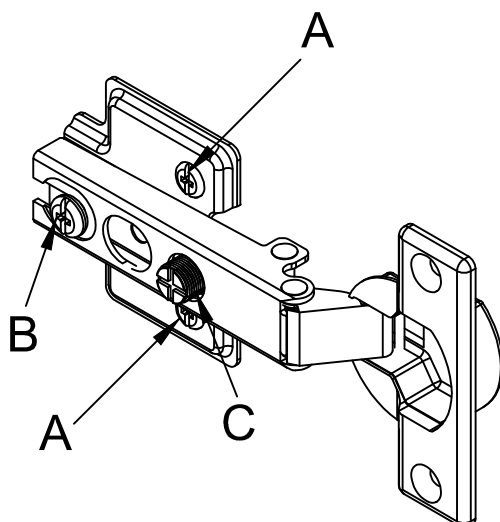


Drawer Side

STEP26

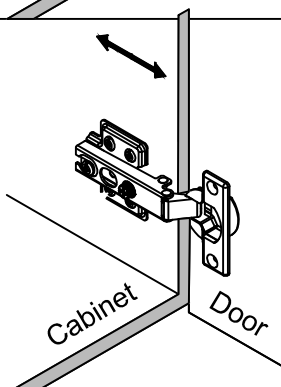
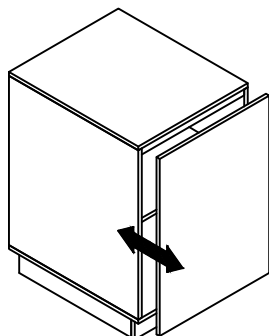


STEP27



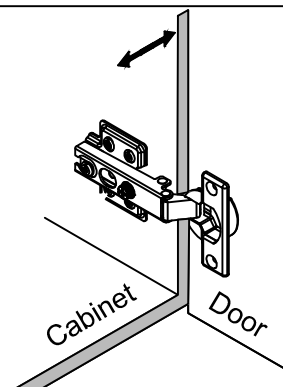
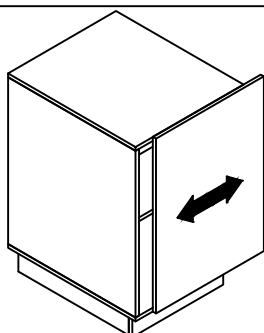
To adjust the vertical height.

Loosen the four screws "A" on both hinges. Two of them are usually in slotted holes which allows you to adjust up or down by a few mm. Then tighten back up.



To adjust depth.

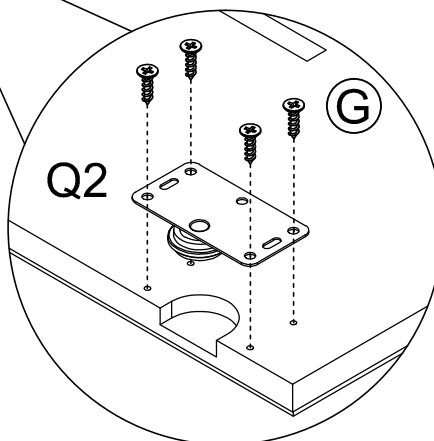
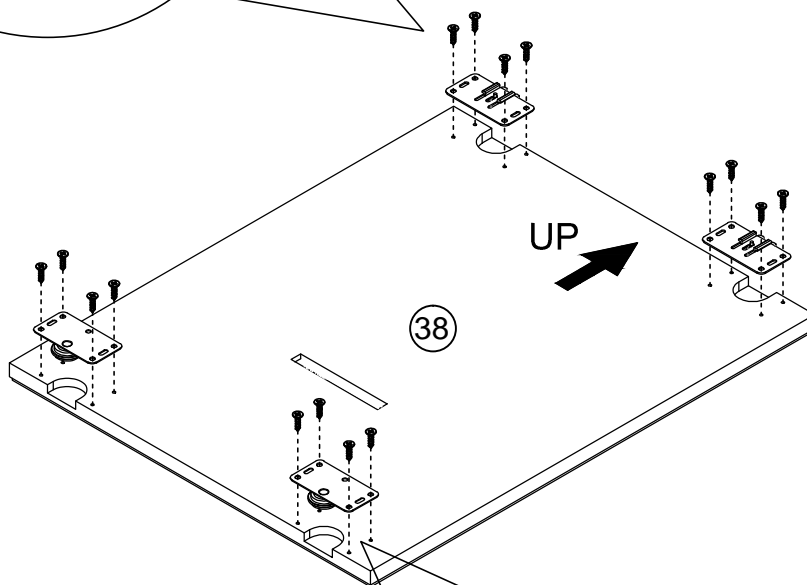
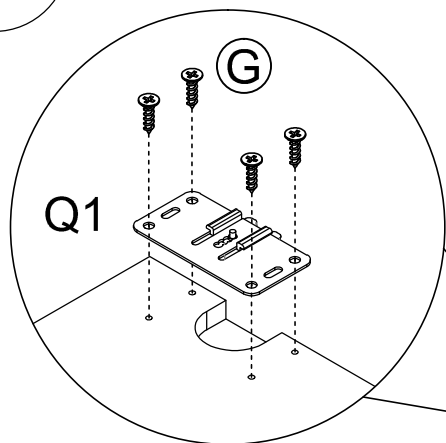
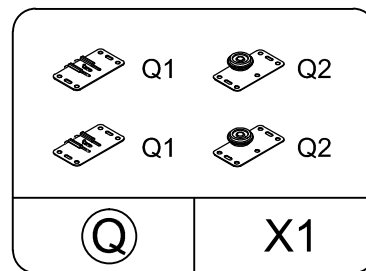
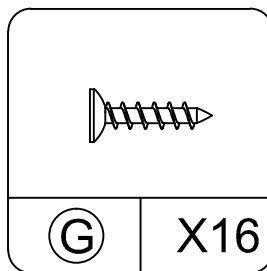
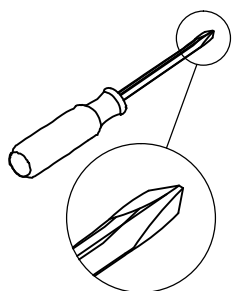
Loosen screw "B" and adjust door, if the door can not be adjusted, please loosen screw "C", then try again. Tighten screw "B" and "C".



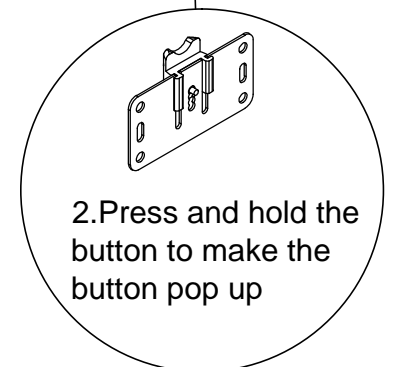
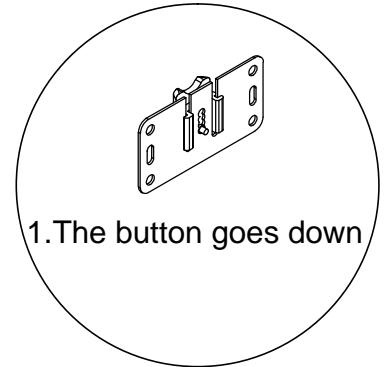
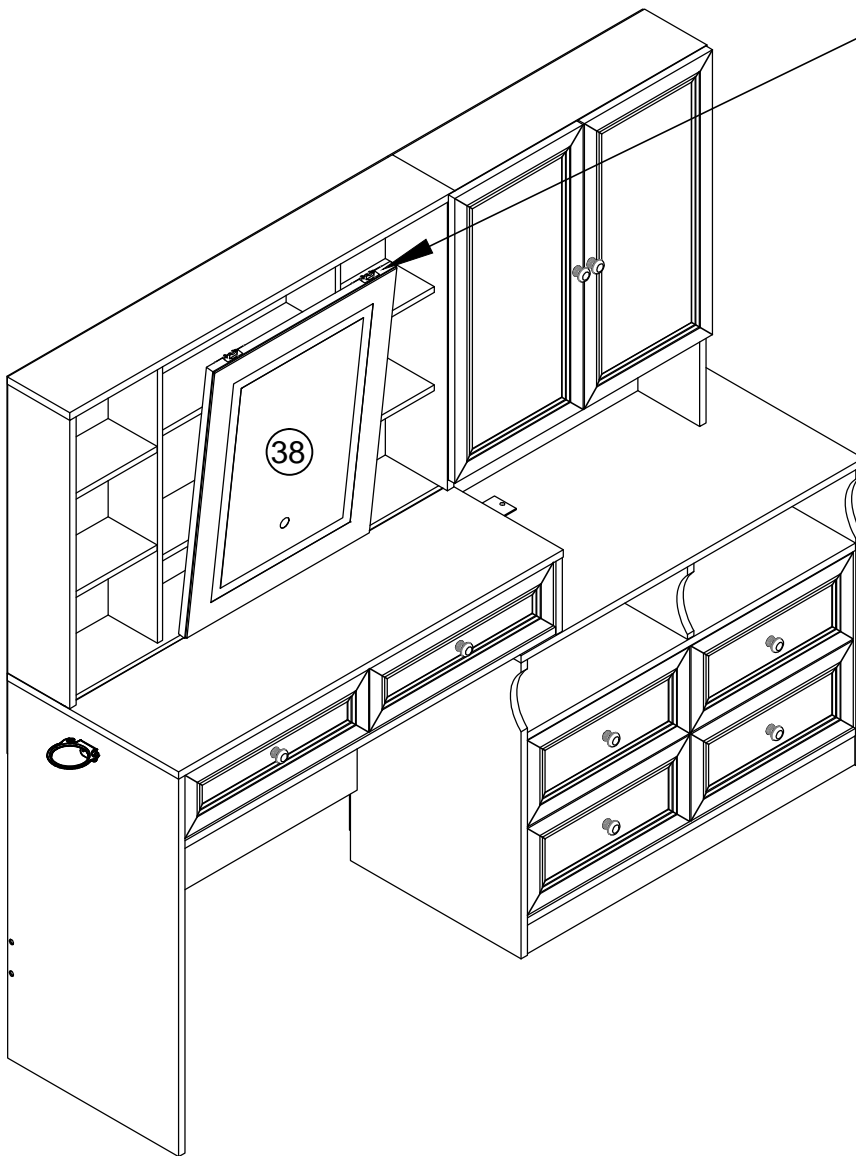
To adjust side ways.

Turning the screw "C" on BOTH hinges on each door.

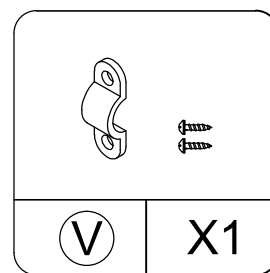
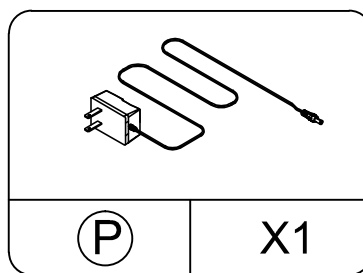
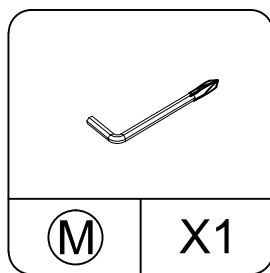
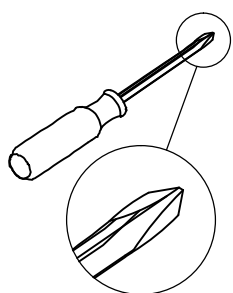
STEP28



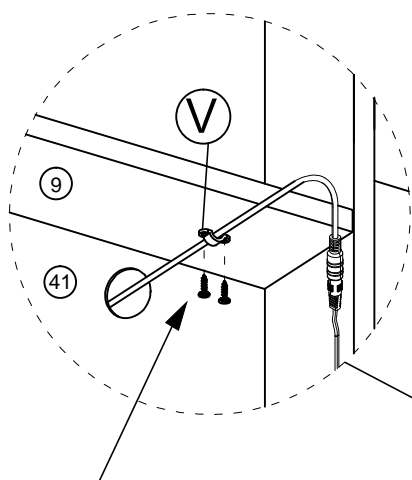
STEP29



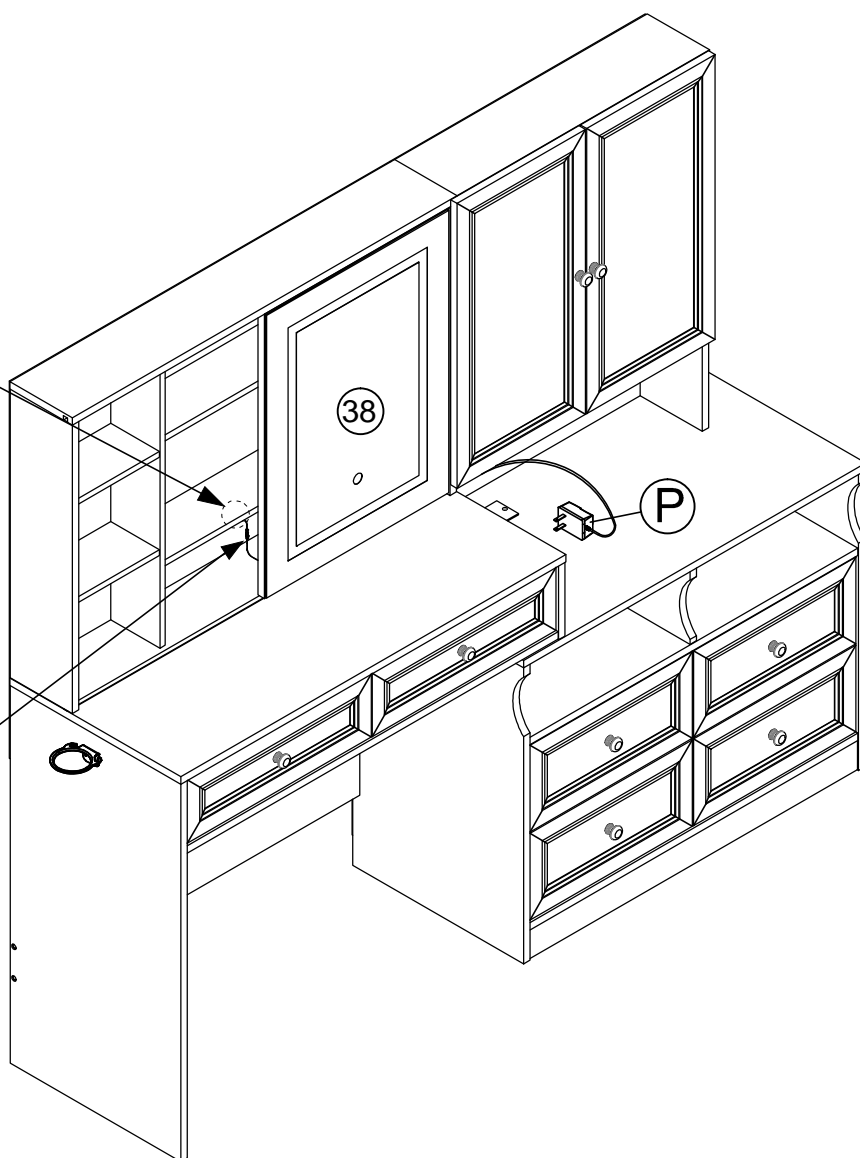
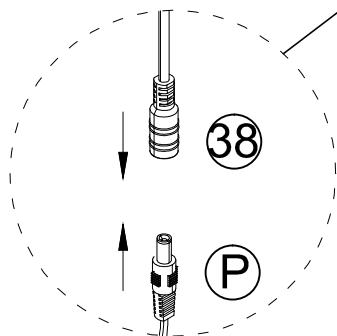
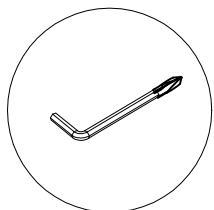
STEP30



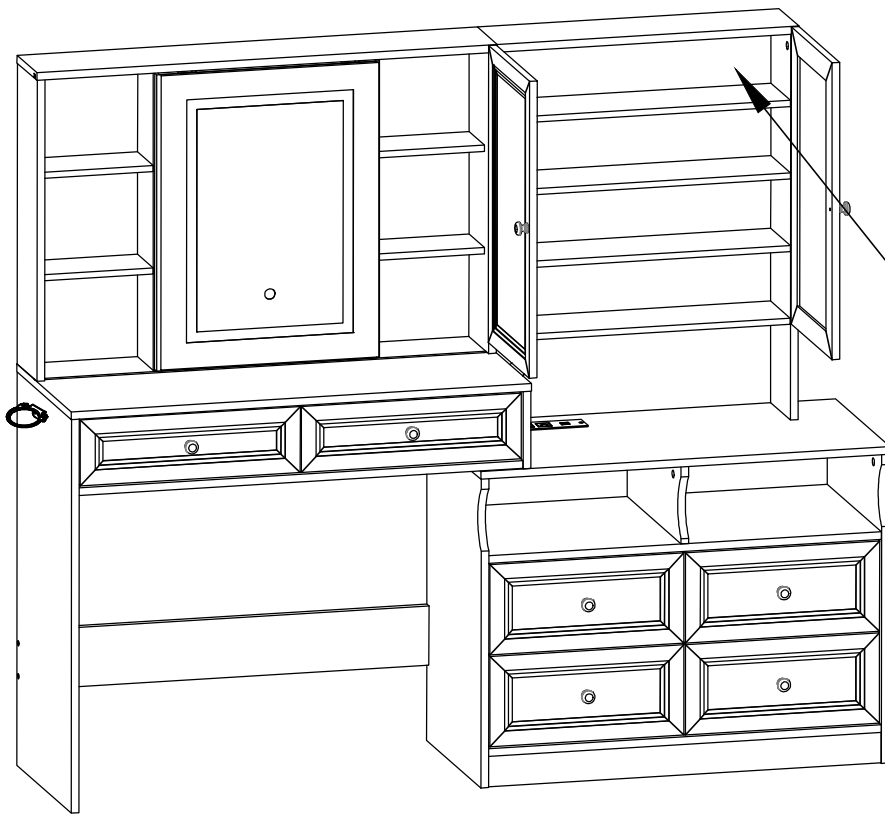
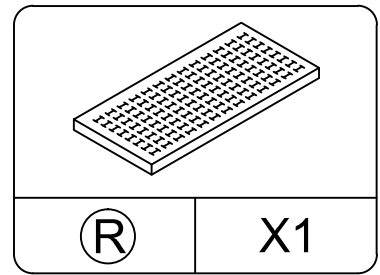
Note: 1. First put (P) through the hole of (42) and (41).
2. Move the (38) to the far left or right then lock the wire.



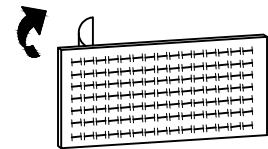
The space is small, please use the (M) wrench to tighten the (V) CAM LOCK.



STEP31

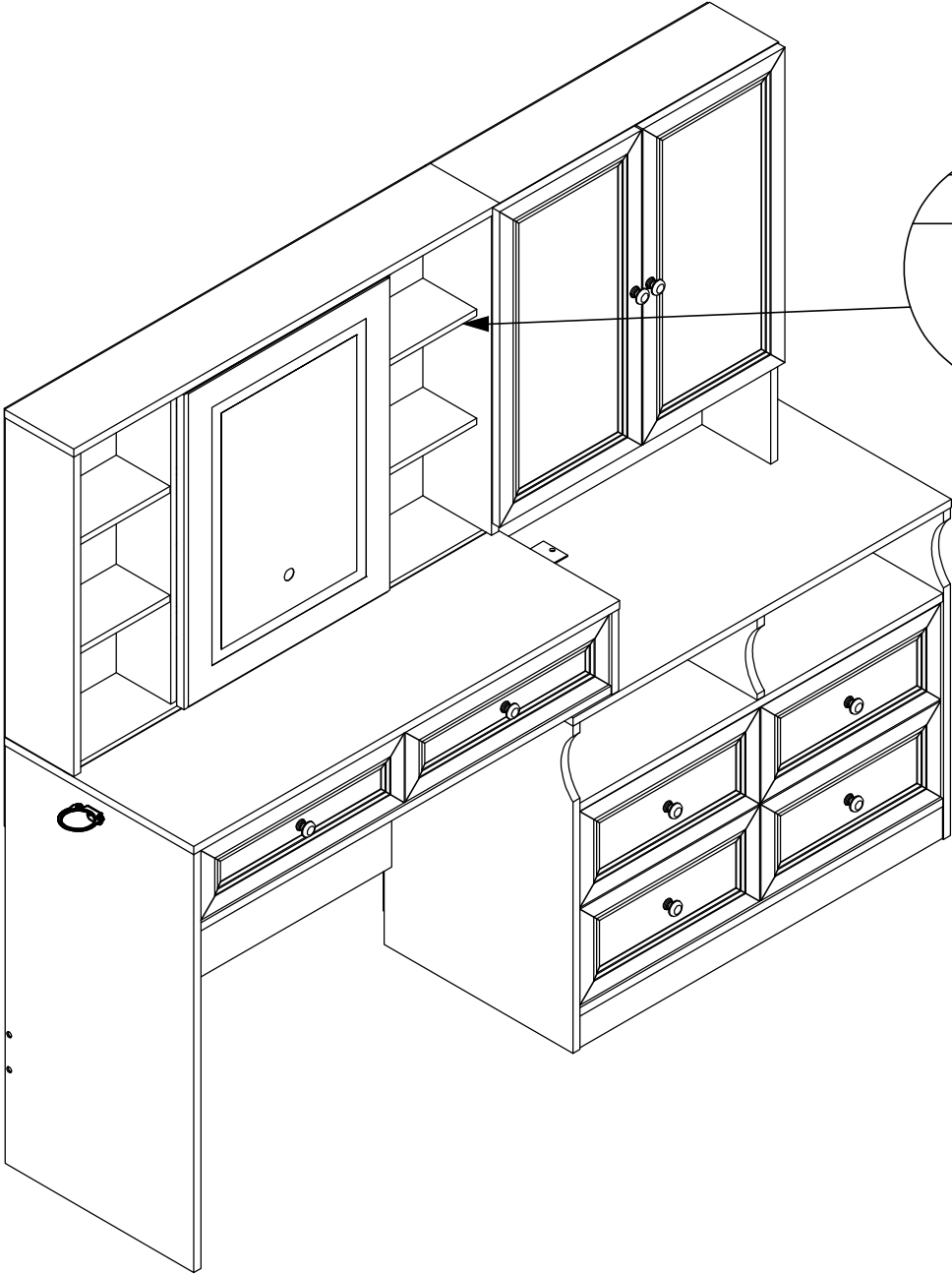
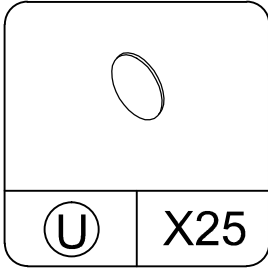


1. Please remove the tape

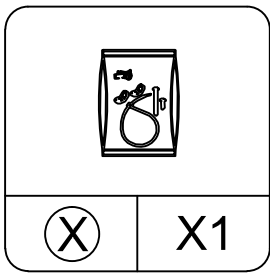


2. Push unit Ⓜ in

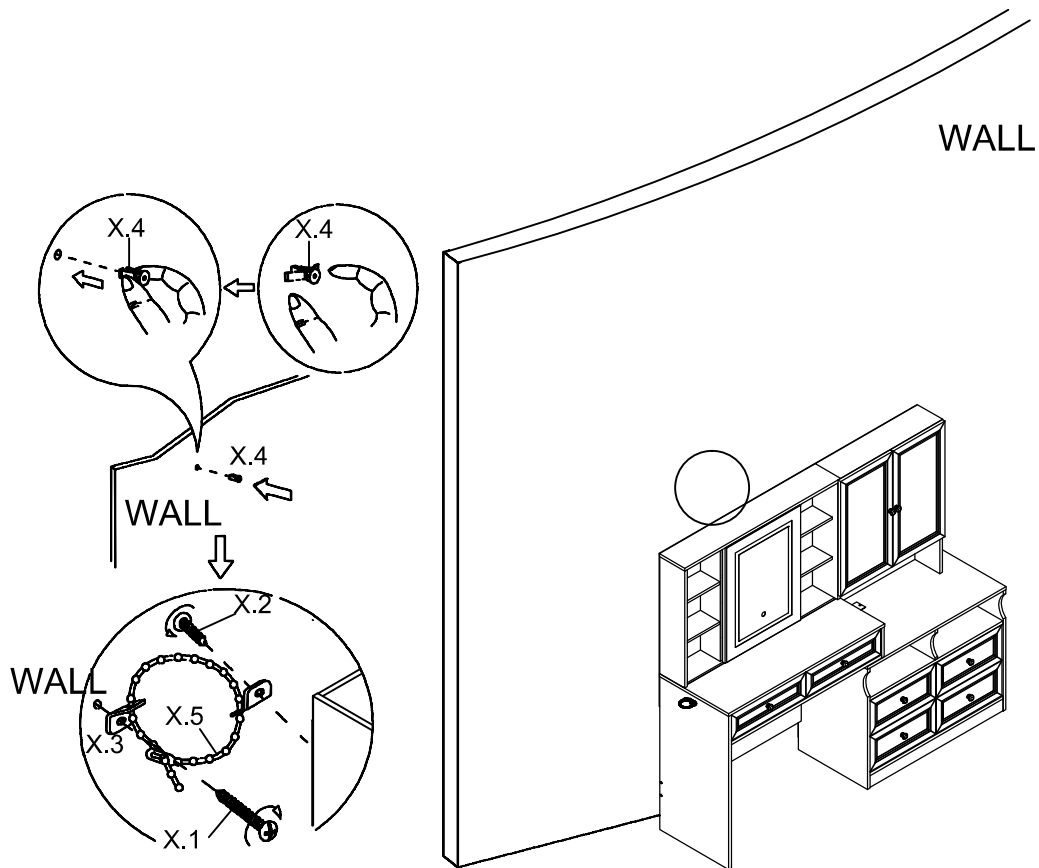
STEP32



STEP32



PART LIST	FIGURE	QUANTITY	DESCRIPTION
X.1		1PC	LONG SCREW (Dia.4mmX38mmL)
X.2		1PC	SHORT SCREW (Dia.4mmX19mmL)
X.3		2PC	METAL "L"BRACKET
X.4		1PC	PLASTIC ANCHOR
X.5		1PC	CABLE



Follow the instructions printed on the plastic bag containing the tipping restraint hardware to attach the tip-over restraints to the unit and the wall.

NOTE: The tipping restraint hardware included is for drywall construction. It will be necessary to drill holes for the wall anchors. Depending upon your wall construction, different anchor hardware may be required. Please contact your local hardware store for assistance.