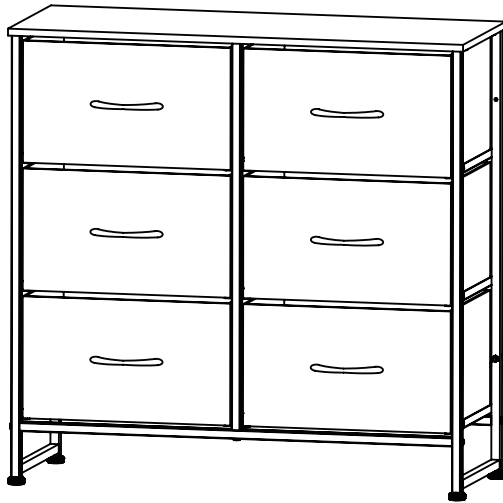




W L I V E



ASNG064

Fabric 6 Drawer Storage Cabinet

V3.1

wlive-cs@devaise.com



IMPORTANT INFORMATION
READ CAREFULLY.
KEEP THIS INFORMATION FOR FURTHER REFERENCE.

GENERAL GUIDELINES

- Please read the following instruction carefully and use the product accordingly.
- Please keep this manual and hand it over when you transfer the product.
- This summary may not include every detail of all variations and considered steps. Please **contact us** when further information and help are needed.

NOTES

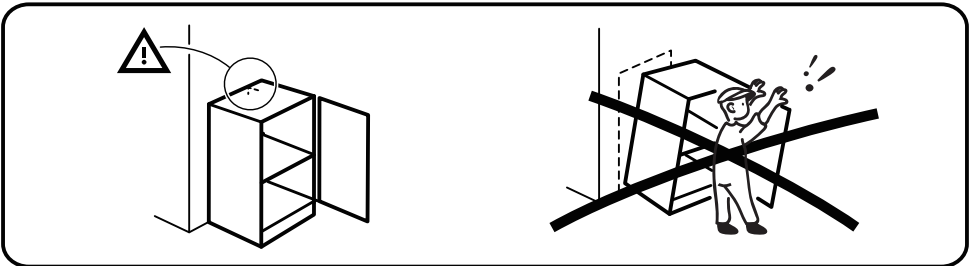
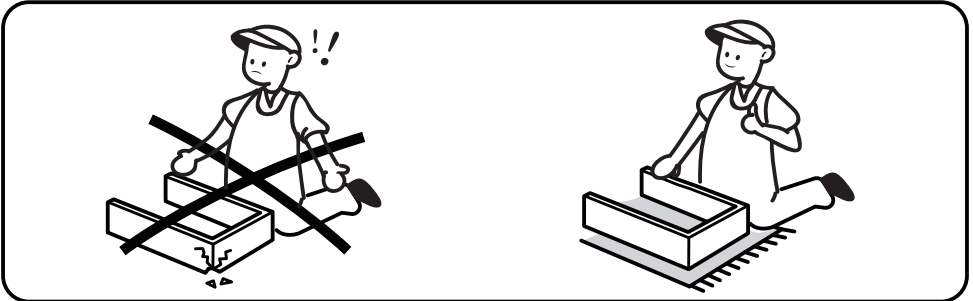
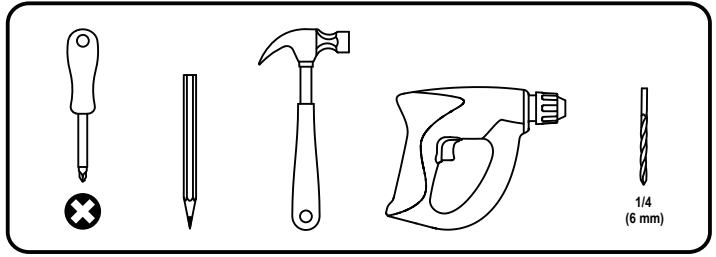
- Please follow the assembly instructions precisely and only use the product as intended.
- If an odor is present when first opening the package, please leave the unwrapped product in a shaded and ventilated area for a few days to air out.
- Prior to assembly, please check the product for defects or missing accessories. If any defects are found or accessories are missing, do not use product as damage or injury may occur;
Please **contact us** for assistance and replacement.
- During assembly, please only slightly tighten all screws in their correct position first, then fully tighten them. A Philips screwdriver is recommended but not included.
- It is suggested you regularly check the products bolts and connections to ensure safe use.
- Assemble the item on a soft flat and clean surface to avoid scratches and damage.
- It is recommended that two people assemble this product.

WARNINGS

- During assembly, keep parts and packaging materials away from children and pets as there could cause injury and are a potential choking hazard.
- Avoid sharp objects or corrosive chemicals to prevent damage to the product.
- Please open the item slowly and cautiously to avoid pinching your hands by metal joints, especially children.

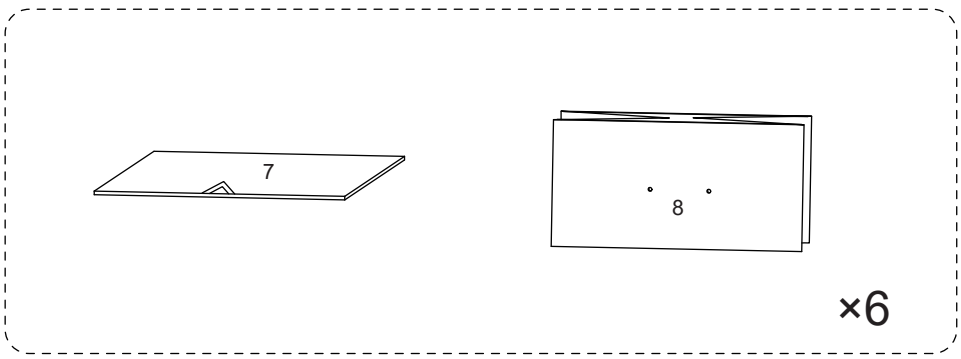
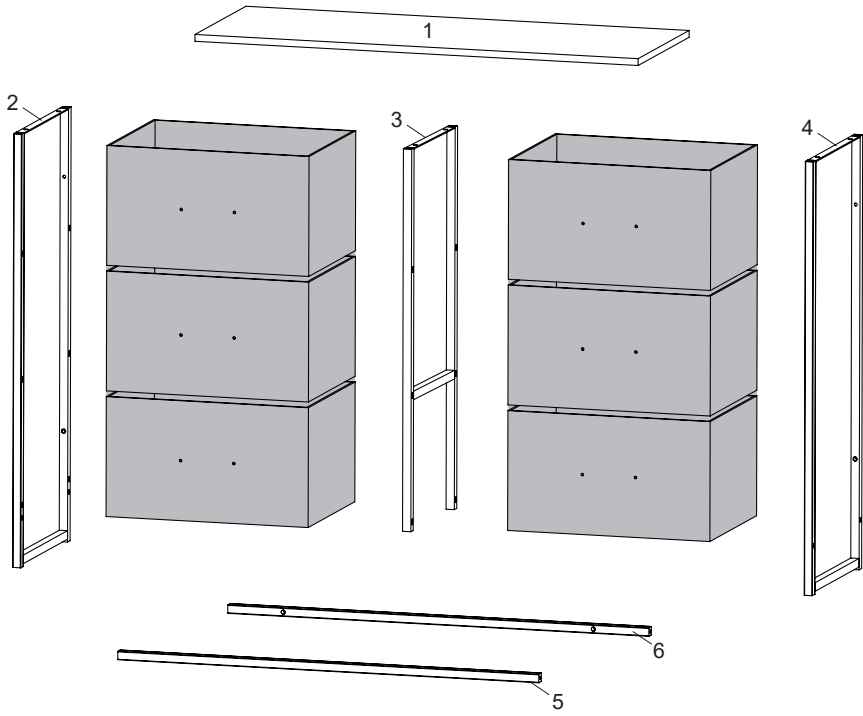
ANTI-TIP WARNING

- Serious or fatal crushing injuries can occur from furniture tip-over. To prevent this furniture from tipping over it must be permanently fixed to the wall.
- Since different wall materials require different types of fixing device, for advice on suitable fixing systems, contact your local specialized dealer.





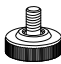



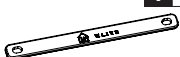

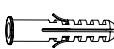
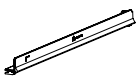



- If you have any further questions, please feel free to contact us by email or official website: wlive-cs@devaise.com
We will reply ASAP.
- Before installation, please make sure you have all the hardware, the serial numbers are properly labeled corresponding to the list, and the quantity is correct.
- Enjoy your new purchase!

EXPLODED DRAWING





PARTS

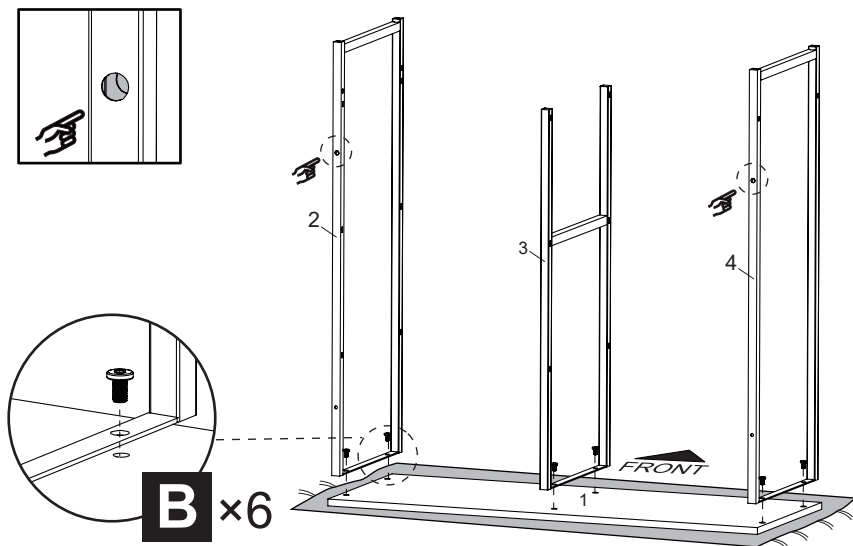
 A X10 M6x23	 B X6 M6x10	 C X12 M4x12	 D X6
 E X4	 F X1	 G X1	 H X4
 I X2	 J X2	 K X2	 L X6 Left
 R X6 Right			

1

REMARK

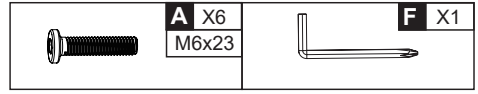
1. Put a blanket under the board to avoid scratch or damage.
2. The shaded parts are on the same side.
3. Please do not fully tighten screws at this step.

 B X6 M6x10
 F X1



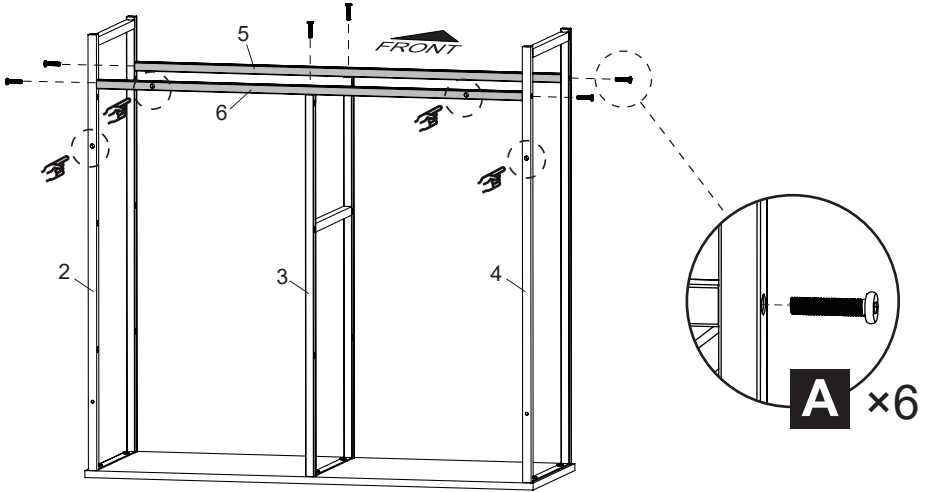
B x6

2

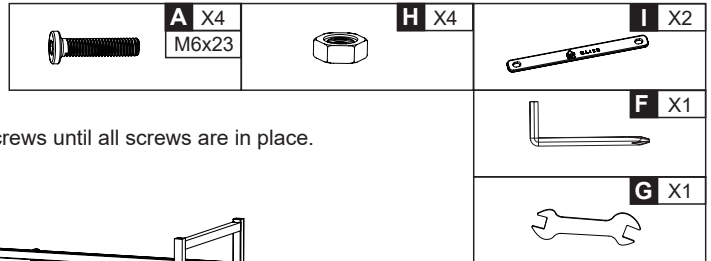


REMARK

1. Please note the holes indicated by fingers on Part **6** are on the same side as the holes indicated on Parts **2** and **4**.
2. Please fully tighten all the screws after they are in right place, including those in Step1.

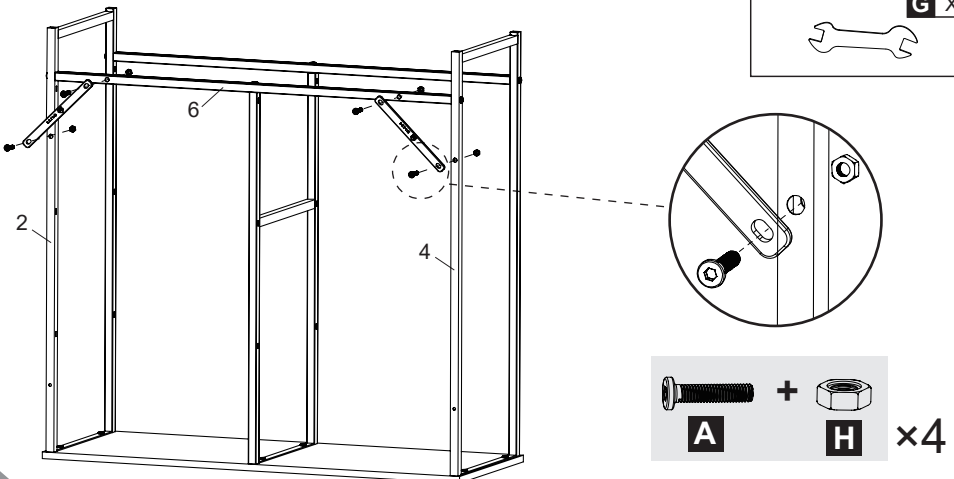


3



REMARK

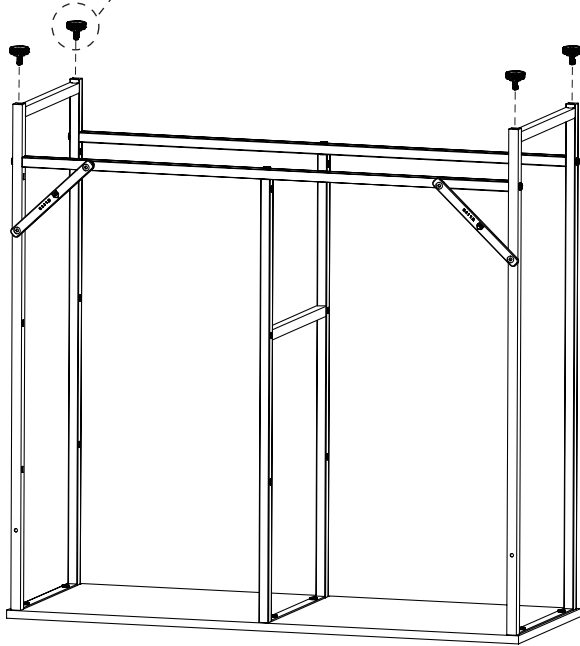
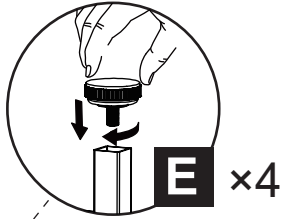
Please do not fully tighten screws until all screws are in place.



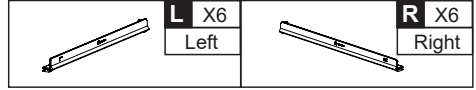
4



E X4

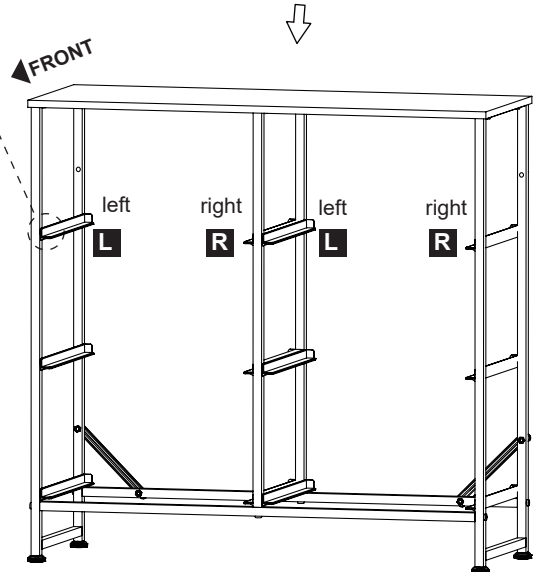
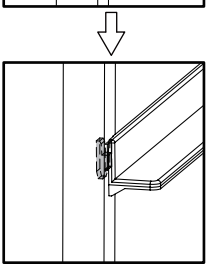
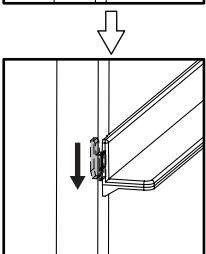
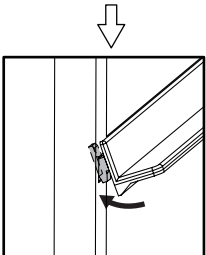
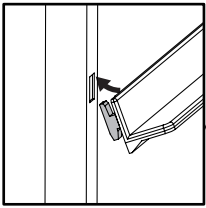
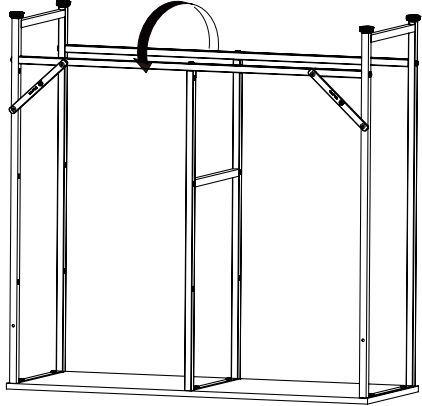
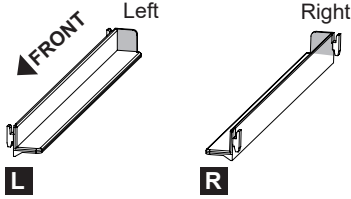


5



REMARK

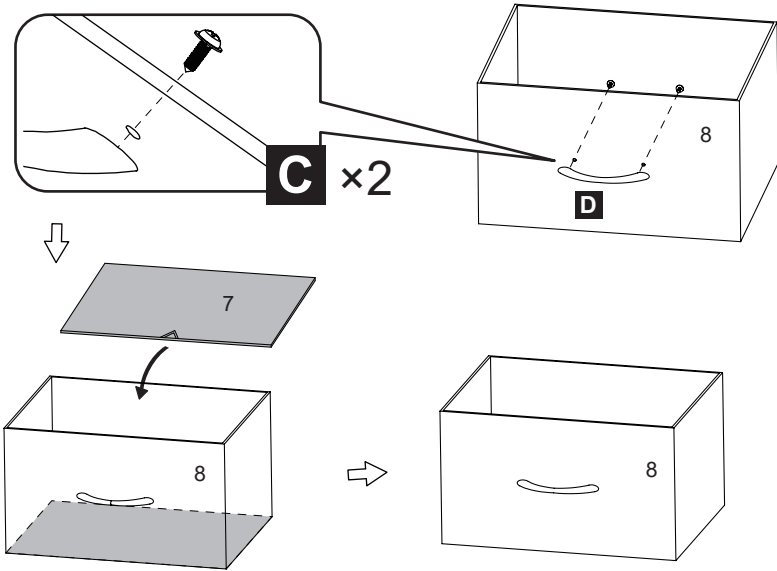
The guide rail is engraved with L(Left) and R(Right). Please install cautiously according to the instructions.



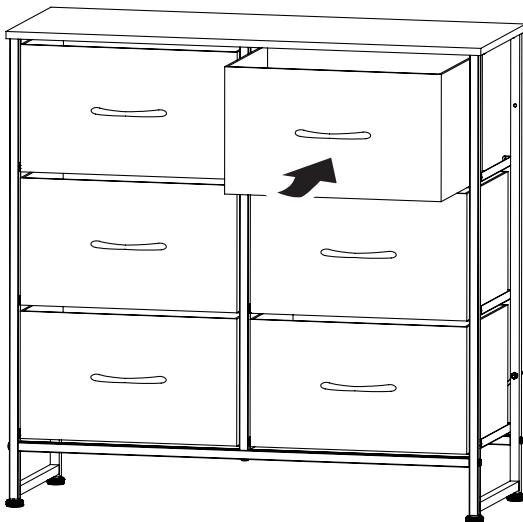
REMARK

The front and back buckles should be fastened at the same time. In case the buckles is bent due to faulty installation, we prepare 2 spare guide rails for each side.

6



7

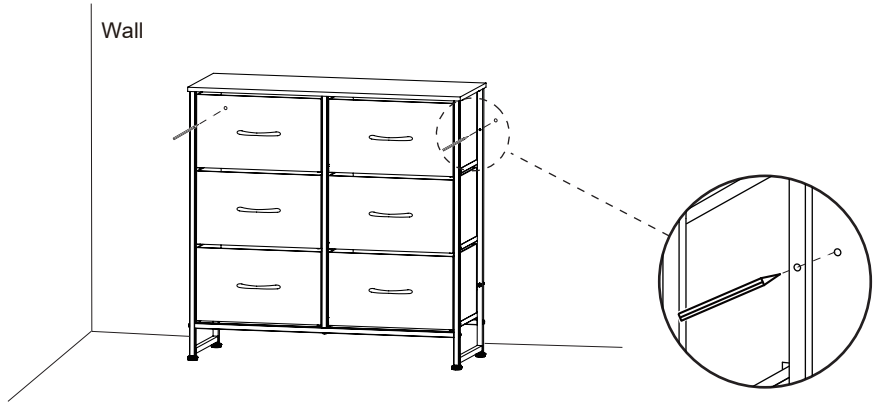


Please install anti-tip device as following steps if you need

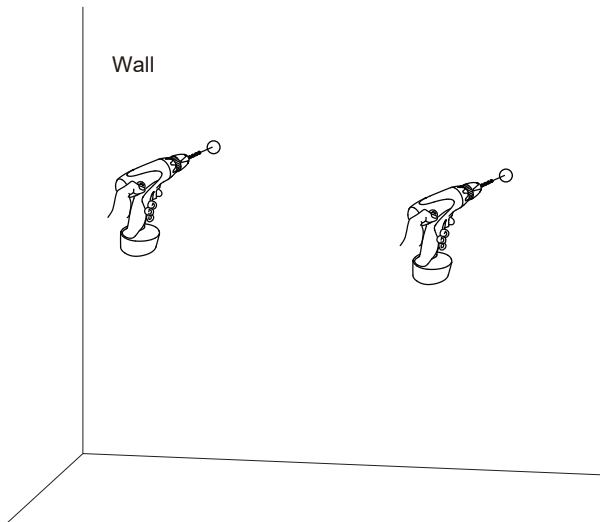
Step 1

REMARK

Please choose the proper position before assembling.

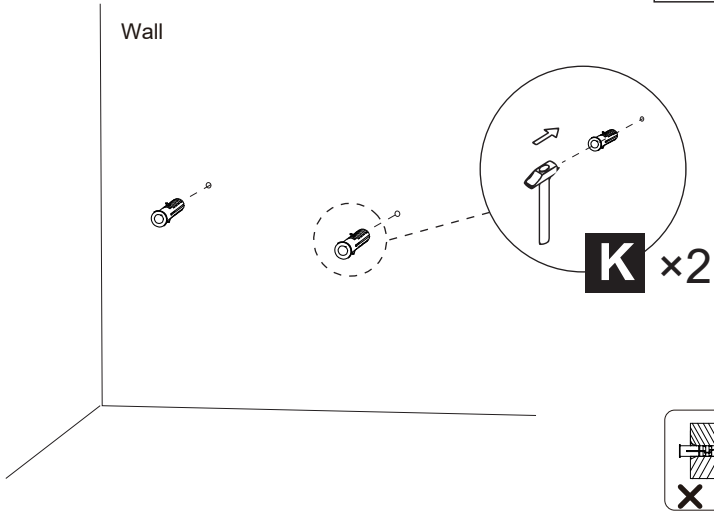
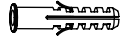


Step 2



Step 3

K X2



Step 4

J X2

