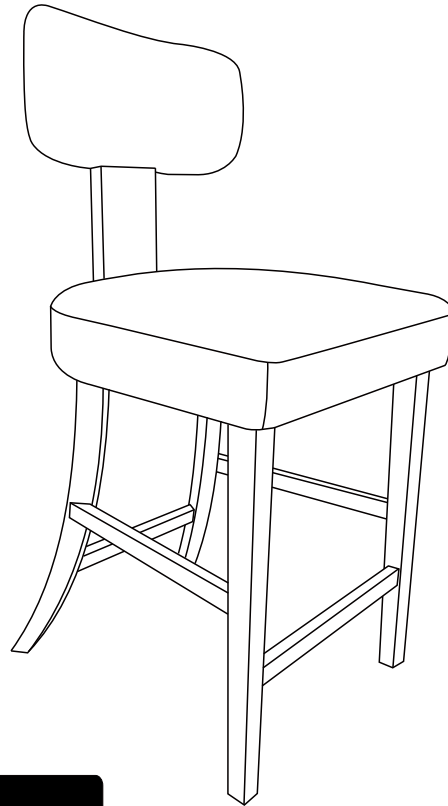


# BAR STOOL

## Assembly Instruction

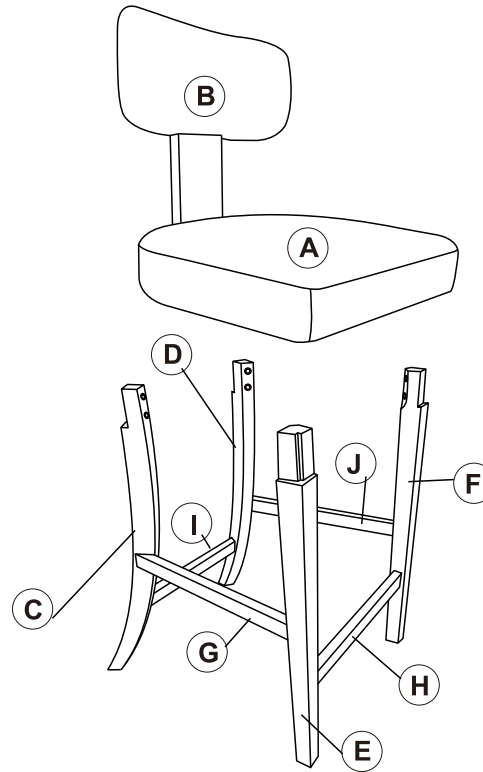


Any question please feel free to contact us:  
Email: [support@amer-life.com](mailto:support@amer-life.com)  
TEL: 901-347-2181  
We will provide further assistance within 24 hours.







### **Dear Customers,**

Thank you for purchasing our product. Please read this instruction manual carefully after receiving this product. It will help you assemble this product quickly, safely and correctly. You can keep this manual for future reference.

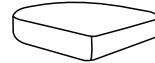
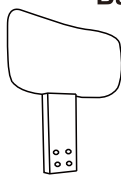




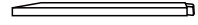
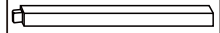
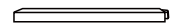
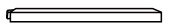
# CHAIR



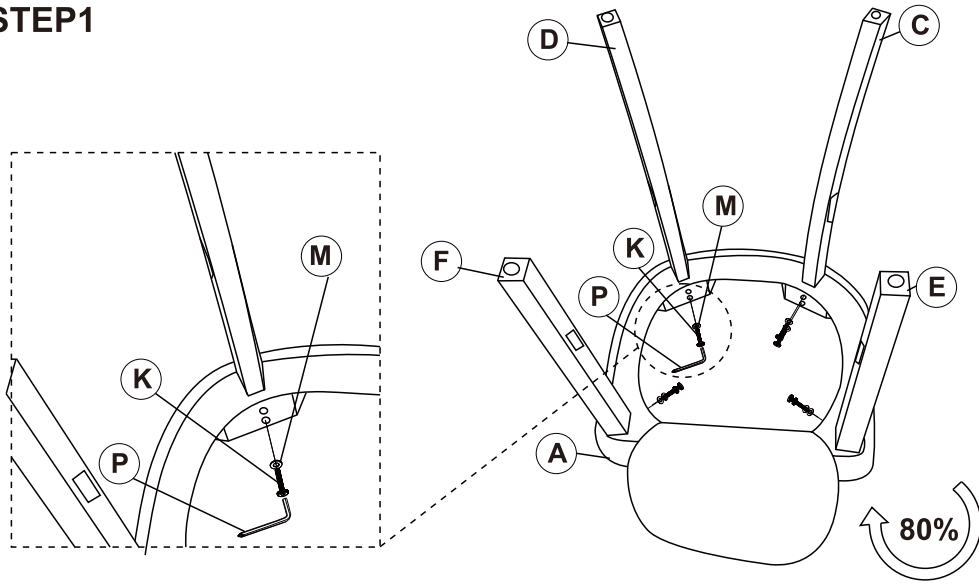
## Hardware parts

<b>K</b> Bolts M8x50mm  x8	<b>L</b> Bolts M6x55mm  x4	<b>M</b> Washers M8  x8	<b>N</b> Screws M4x40 mm  x8
<b>O</b> Plastic Caps  x4	<b>P</b> Wrench M6  x1		

## Main structure accessories

<b>A</b> Seat  x1	<b>B</b> Back  x1	<b>C</b> Rear leg-R  x1	<b>D</b> Rear leg-L  x1	<b>E</b> Front leg-R  x1
<b>F</b> Front leg-L  x1	<b>G</b> Crosspiece  x1	<b>H</b> Crosspiece  x1	<b>I</b> Crosspiece  x1	<b>J</b> Crosspiece  x1

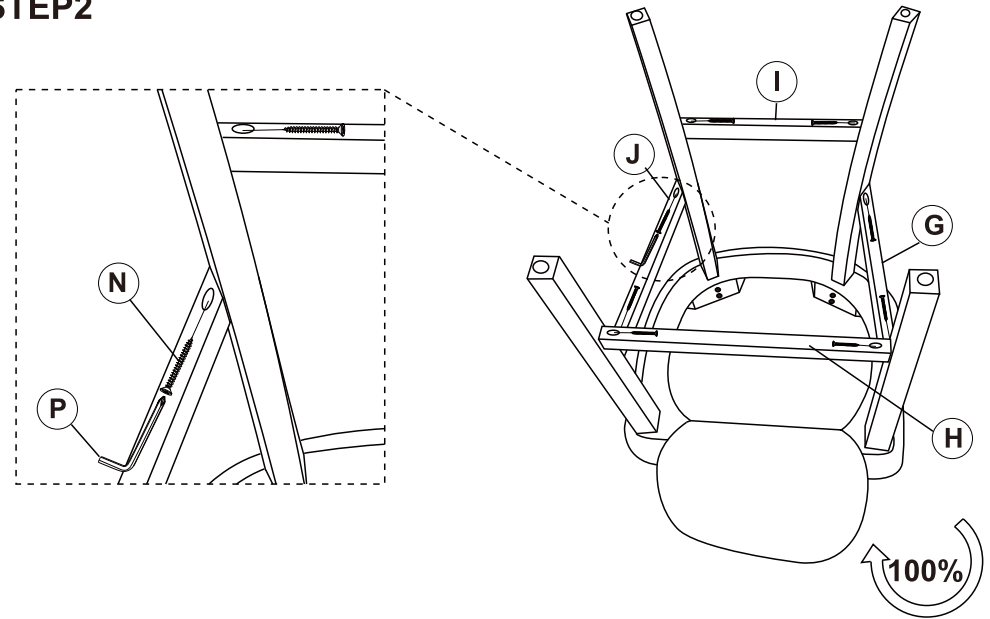
### STEP1



Note:  
Screwing **K** on the chair (tighten 80% of screws first),  
It might help you assemble more easily.

<b>K</b>		x8
<b>M</b>		x8
<b>P</b>		x1

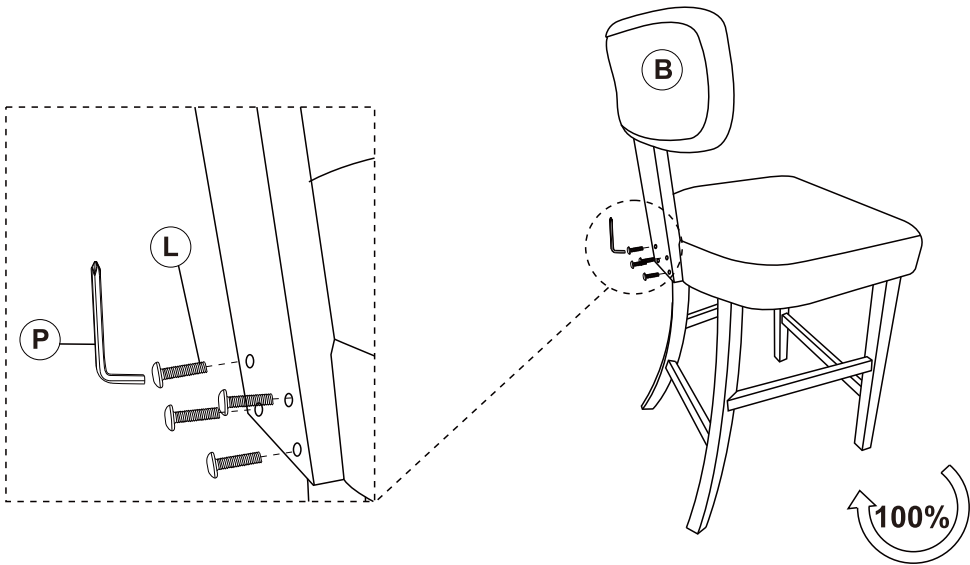
### STEP2



Note:  
Screwing **N** on the chair (tighten 100% of screws first),  
It might help you assemble more easily.

<b>N</b>		x8
<b>P</b>		x1

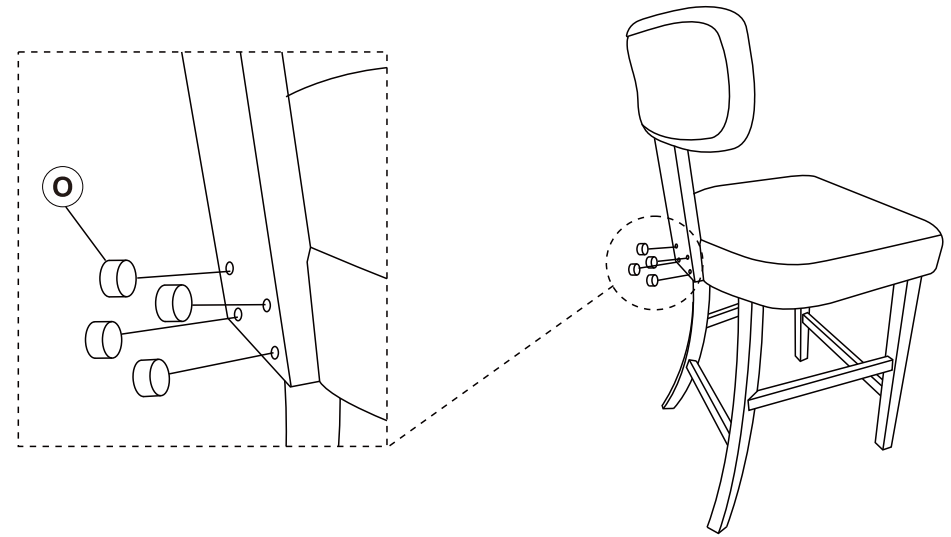
### STEP3



Note:  
Screwing **L** on the chair (tighten 100% of screws first),  
It might help you assemble more easily.

<b>L</b>		x4
<b>P</b>		x1

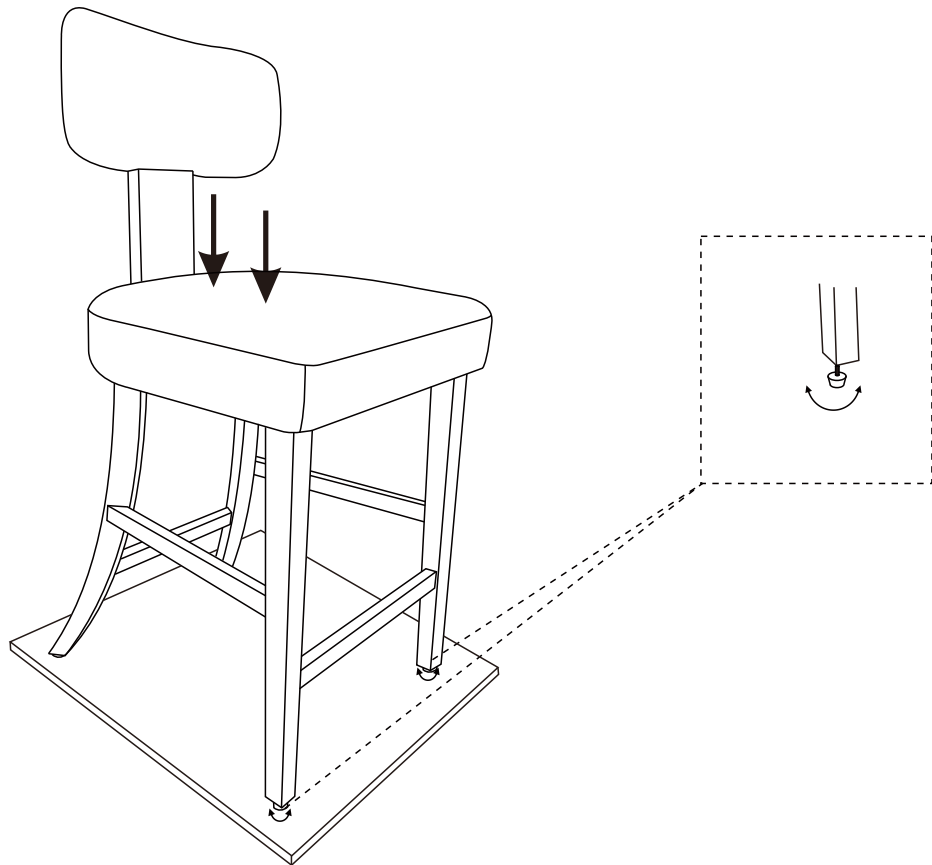
### STEP4



Note:  
Put **O** on the chair.

<b>O</b>		x4
----------	--	----

## STEP5



Note:  
Ensure the chair is stable on the ground and doesn't require any adjustments, then tighten all screws to 100%.

## STEP6

