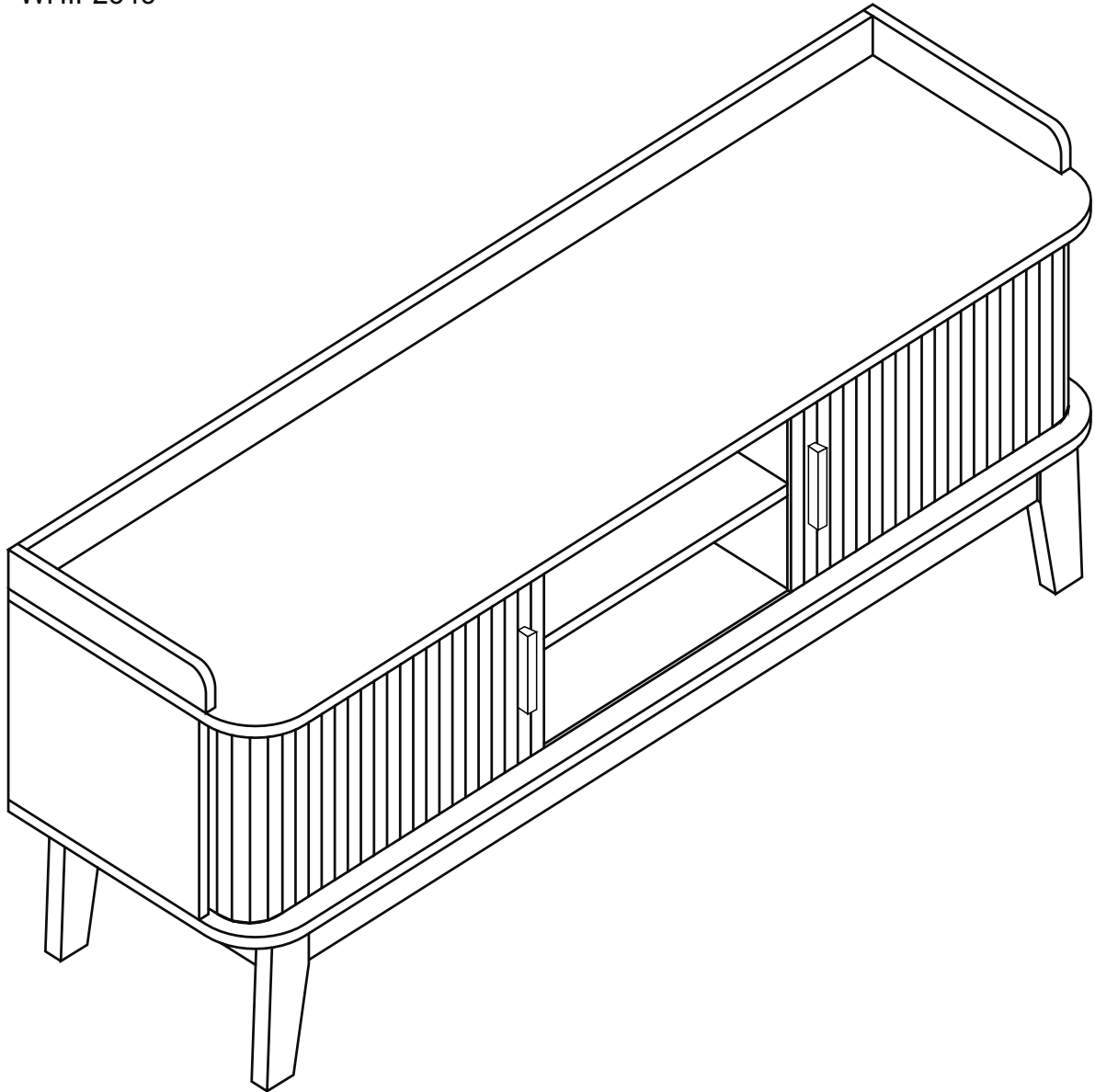



TV Stand with Storage

SKU WHIF2345



ASSEMBLY INSTRUCTIONS

 **60** min. assembly
2 person

*The estimated assembly time may vary depending on the individual.

Hey, there

Now is assembly time!

Deeeeeeep breathe.... and again....
Tools ready,
Easy peasy!

Estimated



60 min. assembly
2 person

Tools Required

- Allen Wrench (included)
- Phillips screwdriver (not included)
- Power Drill (not included)

important: *Cautious when you use power tools*

Need Help?

Call us at +1 909 548 6688
Email customerservice@luxenhome.com
Submit a ticket on www.luxenhome.com/help

Thank you for purchasing this LuxenHome product. This product has been manufactured with the highest standards of safety and quality.

PLEASE READ ALL INSTRUCTIONS CAREFULLY BEFORE ASSEMBLY.

Un pack all parts from the packaging inside the carton to ensure there are no missing or damaged parts. Lay out all the parts on a clean, flat, and soft surface to prevent scratches. Refer to the steps provided as assembling guide.

Do not attempt to assemble or use the product if any parts are missing or damaged.

REMINDERS

SAFE USAGE IS KEY

Your well-being is our top priority when you use our product. Please prioritize your safety by diligently following the assembly guidelines and inspecting the product carefully both when it arrives and before each use.

Please be aware that LuxenHome and Winsome House, Inc. cannot be held liable for any injuries or fatalities that occur due to not adhering to the provided instructions or misuse of the product.

DO NOT MODIFY

Our products undergo rigorous testing to ensure they meet established safety standards before being released for sale. Altering the product in any way can lead to serious safety concerns, for which LuxenHome cannot assume responsibility.

What's in the box

Parts



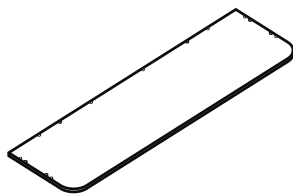
1 X 1

Table top
middle bar



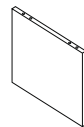
2 X 1

Table top
left bar



3 X 1

Table top



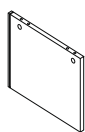
4 X 2

Side panel



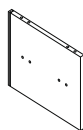
5 X 1

Table top
right bar



6 X 1

Left support
panel



7 X 1

Right support
panel



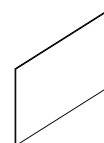
8 X 1

Right support
bar



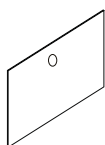
9 X 1

Left support
bar



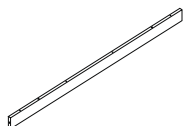
10 X 2

Back panel



11 X 1

Middle back
panel



12 X 2

Bottom support
bar



13 X 2

Bottom support
bar



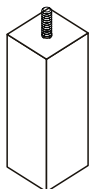
14 X 2

Foot



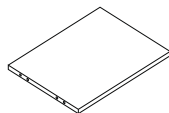
15 X 2

Foot



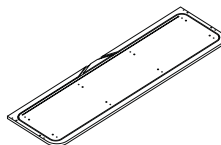
16 X 2

Middle adjustable
foot



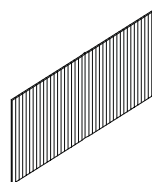
17 X 1

Shelf panel



18 X 1

Bottom panel



19 X 2

Door panel

What's in the box

Hardware & Accessory



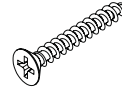
A X 24+3
M6 x 36mm



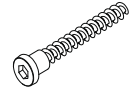
B X 24+3
M15 x 9mm



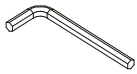
C X 40+3
M5.8 x 30mm



D X 18+2
M4 x 35mm



E X 4
M7 x 50mm



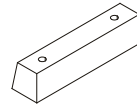
F X 1



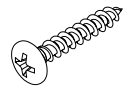
G X 12+2



H X 12+2
M3 x 16mm



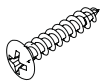
I X 2



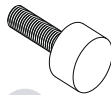
J X 4
M4 x 18mm



K X 4
φ12mm



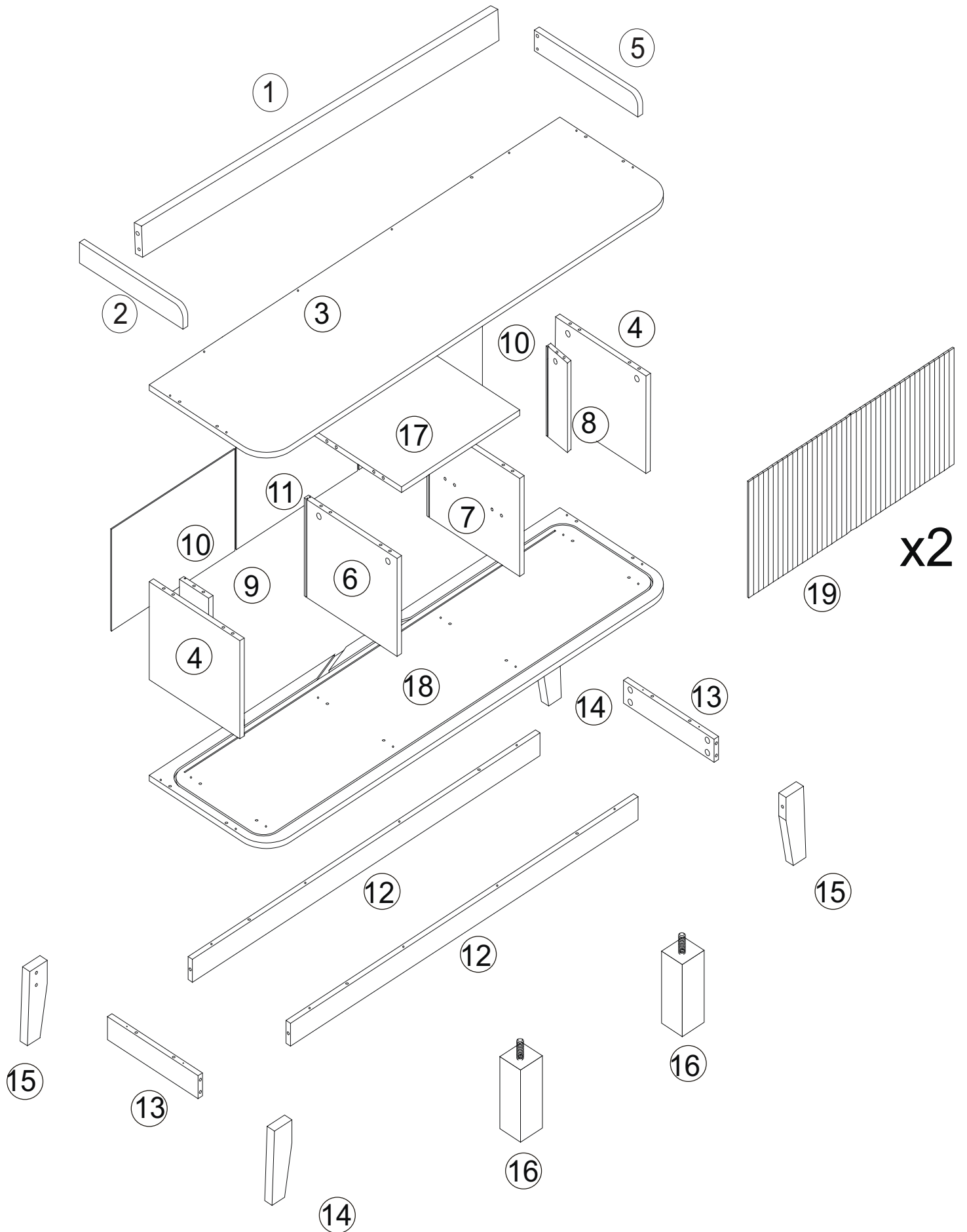
L X 12+2
M4 x 50mm



M X 2
M4 x 12mm

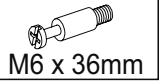


N X 4
25 x 20mm



Please save this manual for future reference.

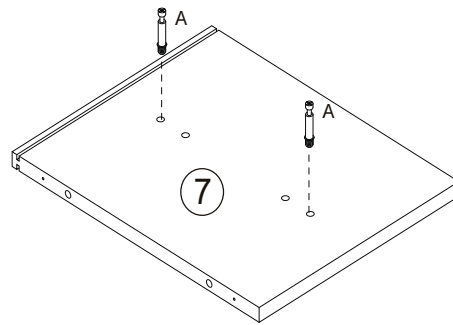
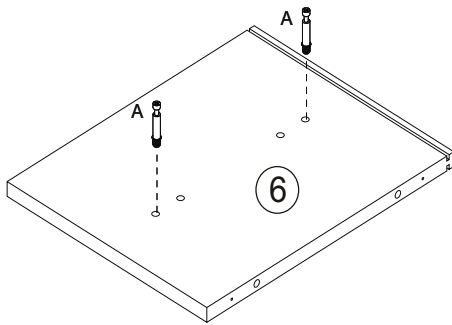
Ax4



M6 x 36mm

Step 1

Insert quickfit screws (A) into parts 6 and 7, as shown.



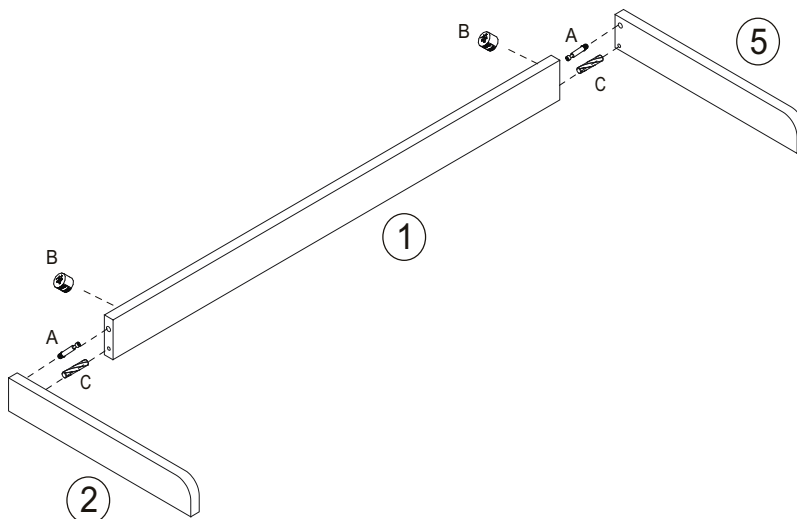
Step 2

Insert quickfit screws (A) into parts 2 and 5, as shown.

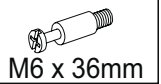
Insert cam locks (B) and wooden dowels (C) into part 1, as shown.

Fit parts 2 and 5 to part 1.

Turn cam locks clockwise to tighten.



Ax2



M6 x 36mm

Bx2



M15x 9mm

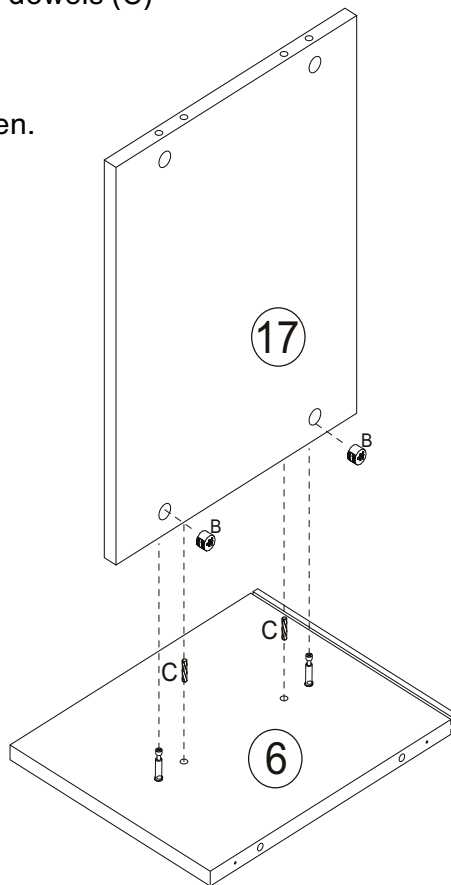
Cx2



M5.8x 30mm

Step 3

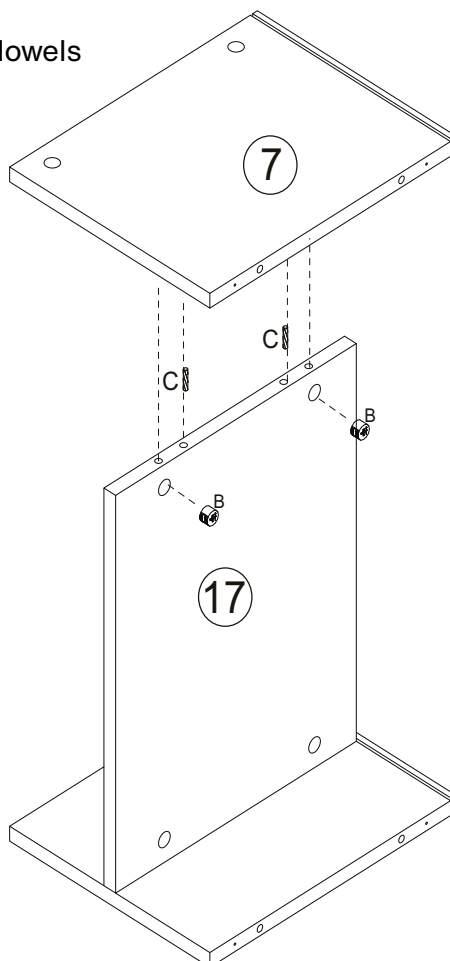
Insert cam locks (B) and wooden dowels (C)
into part 17, as shown.
Fit part 17 to part 6.
Turn cam lock clockwise to tighten.





Bx2
 M15 x 9mm
Cx2
 M5.8 x 30mm

Step 4

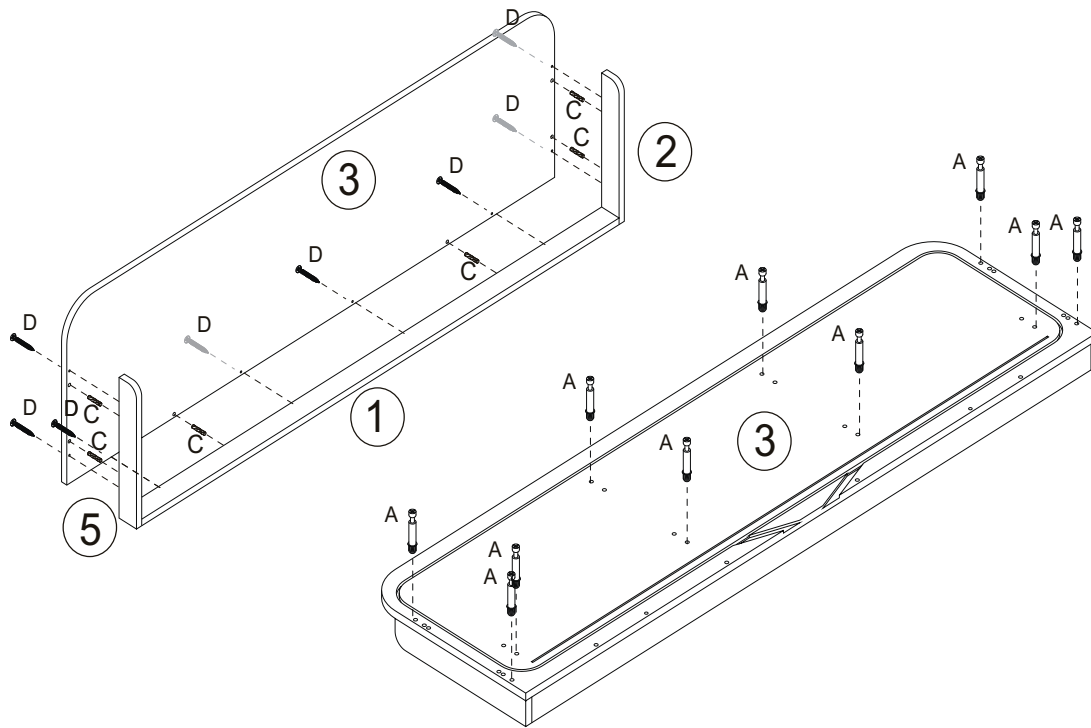
Insert cam locks (B) and wooden dowels
(C) into part 17, as shown.
Fit part 7 to part 17
Turn cam locks clockwise to
tighten.

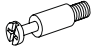




Bx2
 M15 x 9mm
Cx2
 M5.8 x 30mm

Step 5

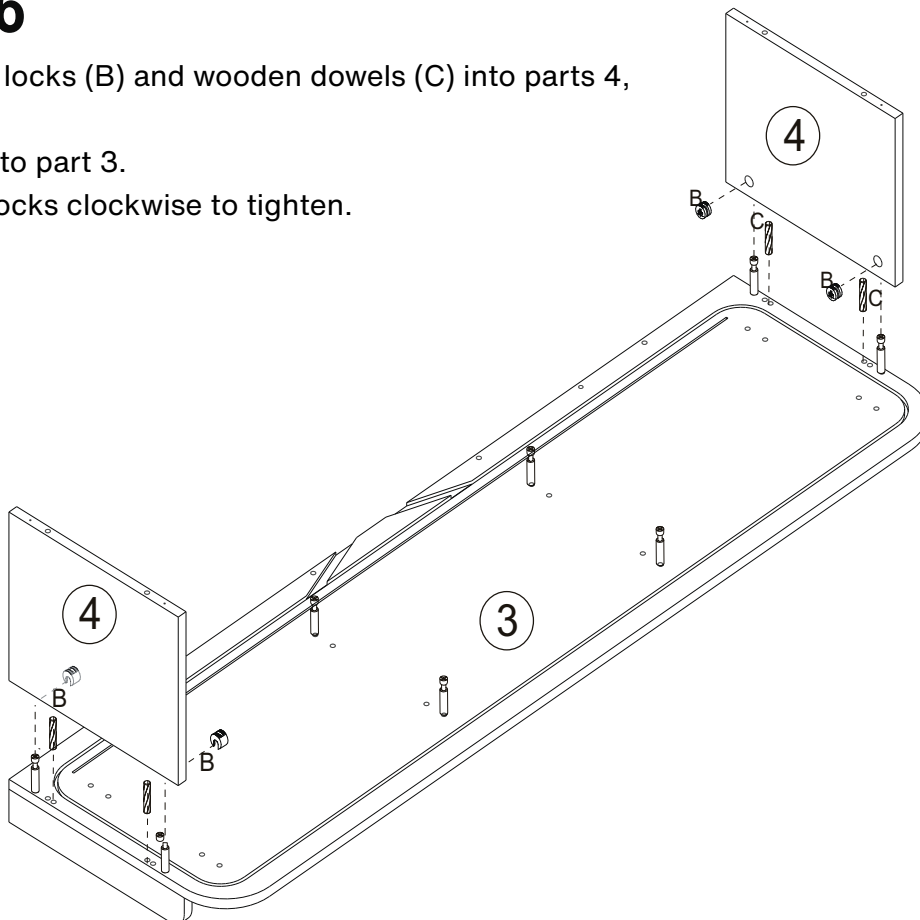
Fix parts 1, 2 and 5 to part 3 using wooden dowels (C) and screws (D), as shown.
Insert quickfit screws (A) to part 3, as shown.





Ax10
 M6 x 36mm
Cx6
 M5.8 x 30mm
Dx8
 M4 x 35mm

Step 6

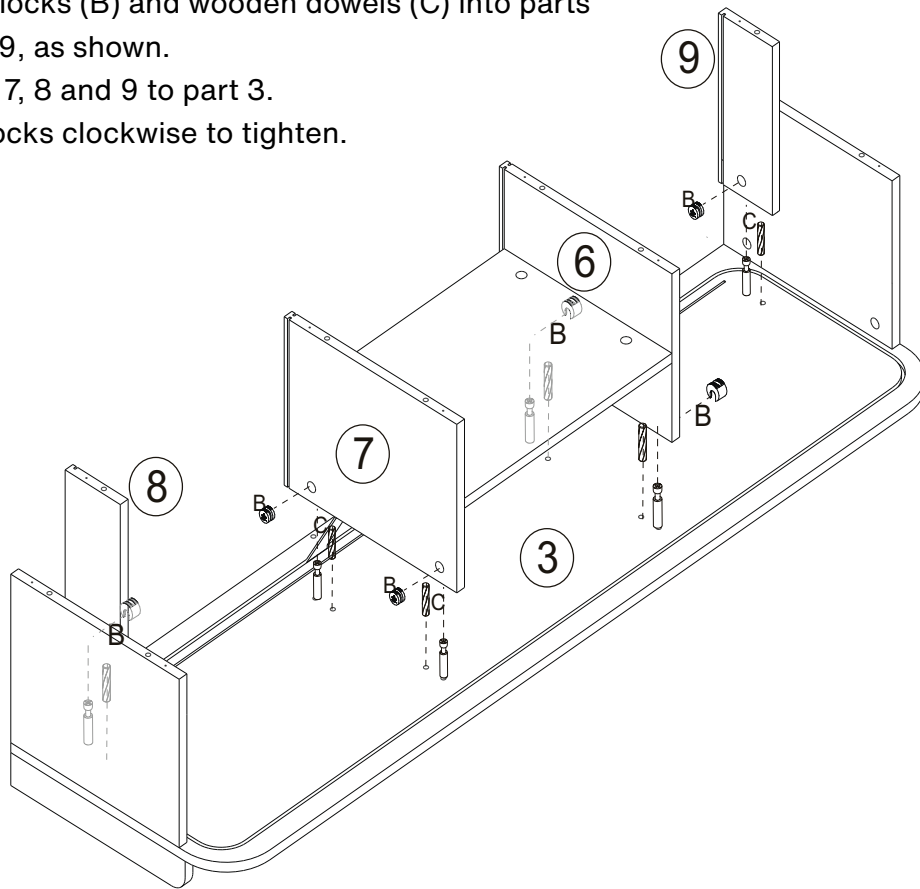
Insert cam locks (B) and wooden dowels (C) into parts 4,
as shown.
Fit parts 4 to part 3.
Turn cam locks clockwise to tighten.





Bx4
 M15 x 9mm
Cx4
 M5.8 x 30mm

Step 7

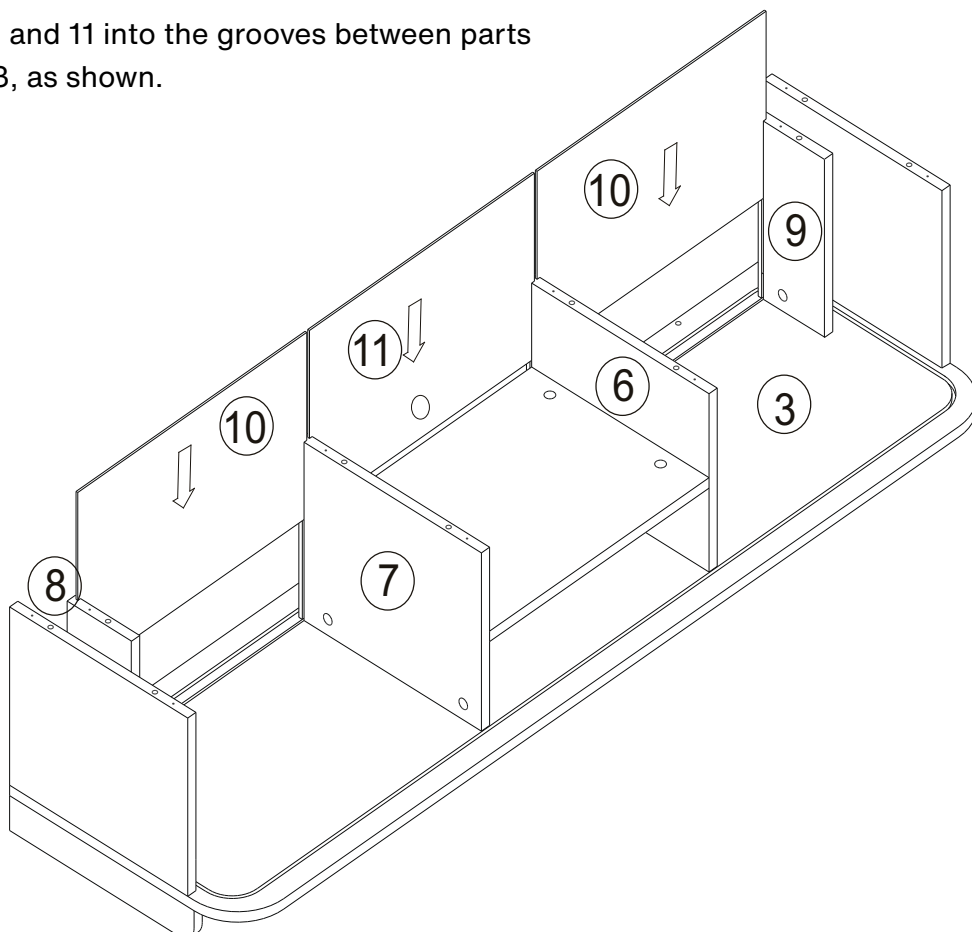
Insert cam locks (B) and wooden dowels (C) into parts 6, 7, 8 and 9, as shown.
Fit parts 6, 7, 8 and 9 to part 3.
Turn cam locks clockwise to tighten.



Bx6

M15 x 9mm
Cx6

M5.8 x 30mm

Step 8

Insert parts 10 and 11 into the grooves between parts 6, 7, 8, 9 and 3, as shown.

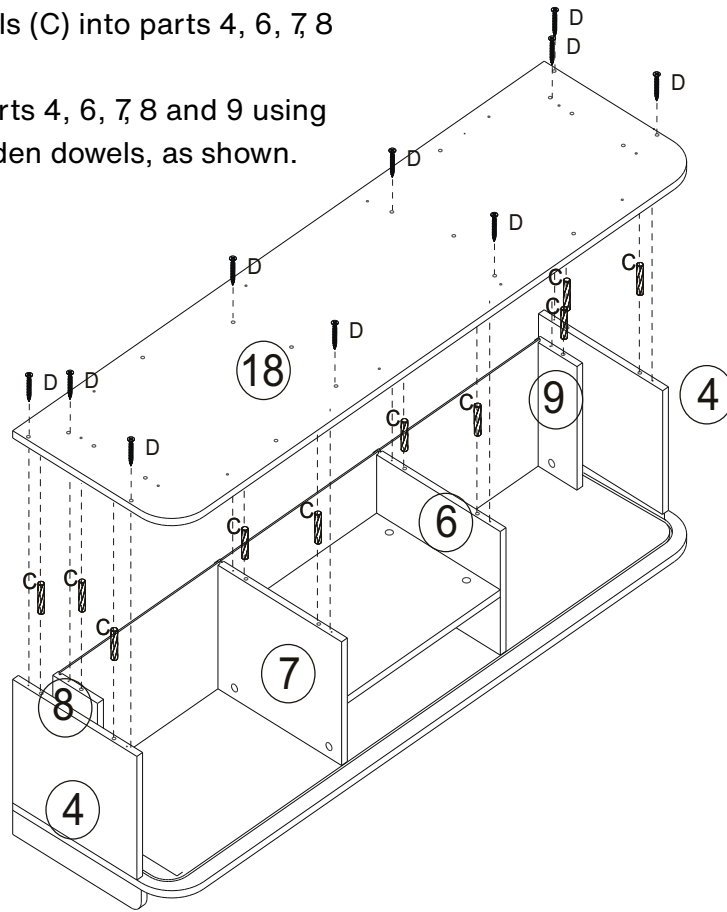




Please save this manual for future reference.

Step 9

Insert wooden dowels (C) into parts 4, 6, 7, 8 and 9, as shown.

Attach part 18 to parts 4, 6, 7, 8 and 9 using screws (D) and wooden dowels, as shown.



Cx10
 M5.8 x 30mm
Dx10
 M4 x 35mm

Step 10

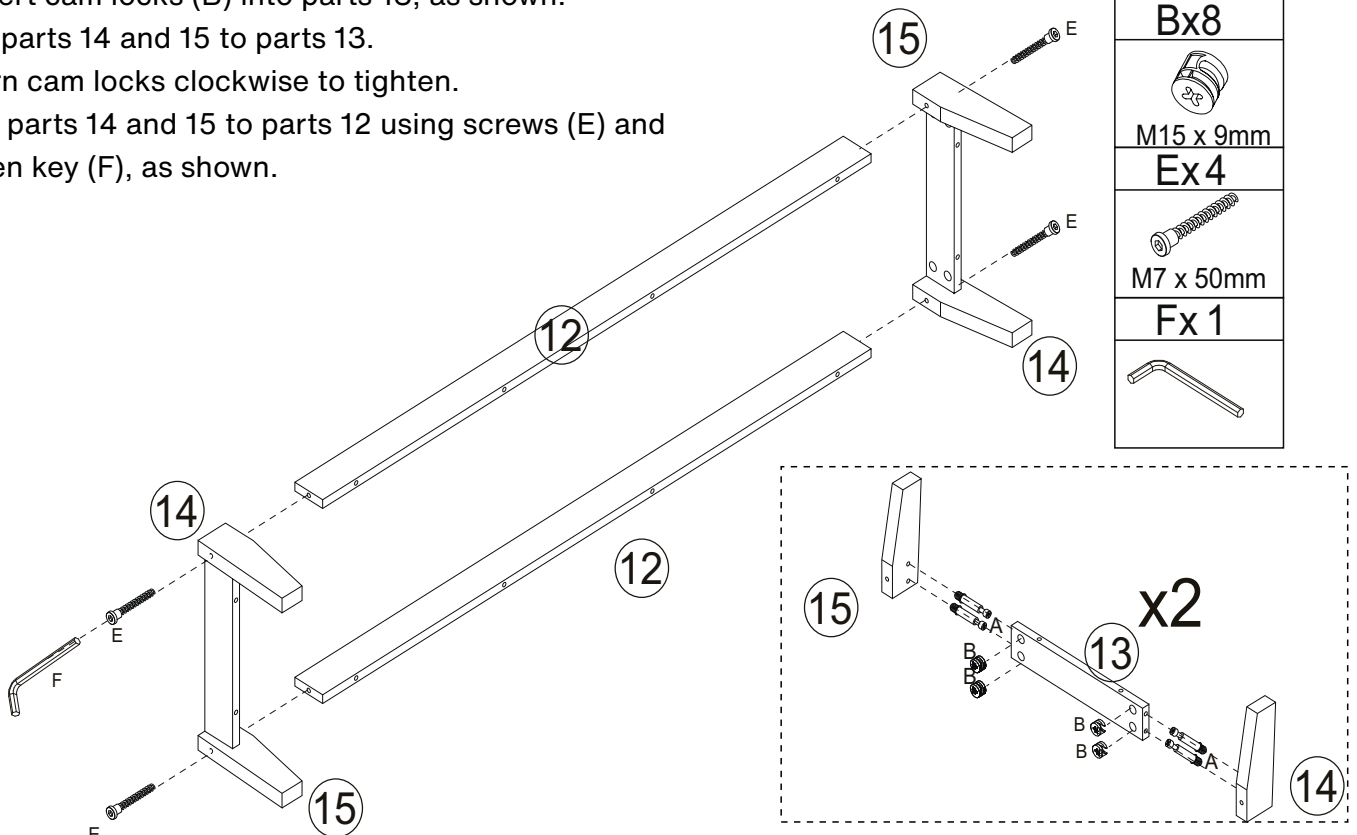
Insert quickfit screws (A) into parts 14 and 15, as shown.




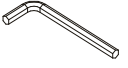
Insert cam locks (B) into parts 13, as shown.

Fit parts 14 and 15 to parts 13.

Turn cam locks clockwise to tighten.

Fix parts 14 and 15 to parts 12 using screws (E) and allen key (F), as shown.



Ax8
 M6 x 36mm
Bx8
 M15 x 9mm
Ex4
 M7 x 50mm
Fx1


Please save this manual for future reference.

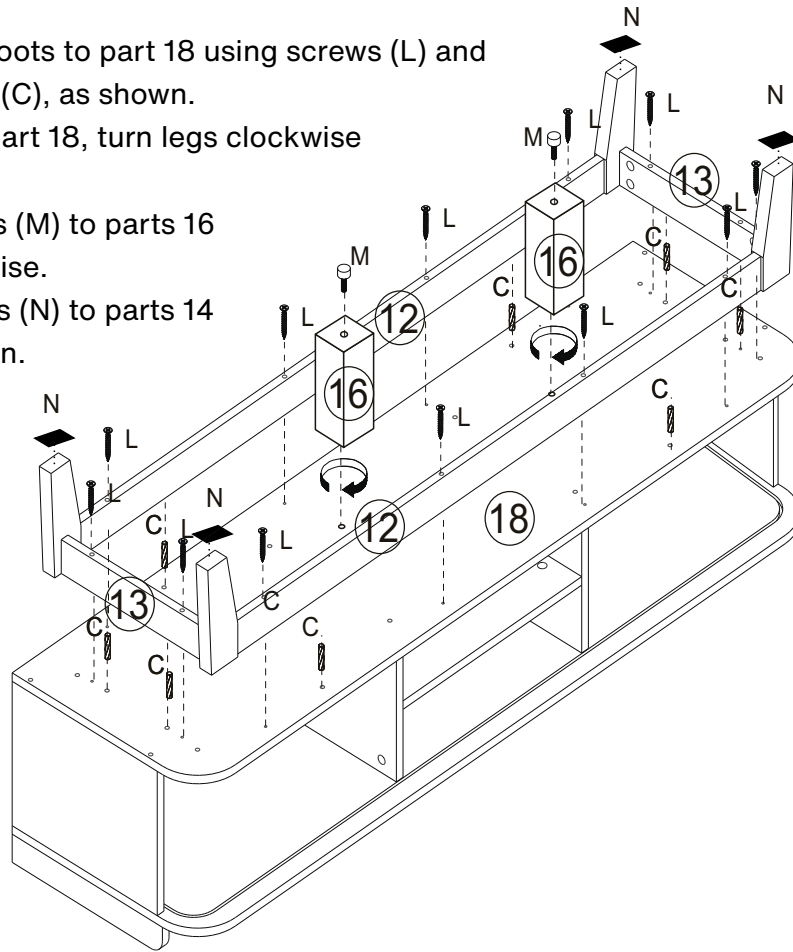
Step 11



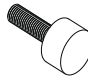

Fix assembled feet to part 18 using screws (L) and wooden dowels (C), as shown.

Fix parts 16 to part 18, turn legs clockwise to tighten.

Attach foot nails (M) to parts 16 and turn clockwise.

Attach foot pads (N) to parts 14 and 15, as shown.



Cx8
 M5.8 x 30mm
Lx12
 M4 x 50mm
Mx2

Nx4
 25 x 20mm

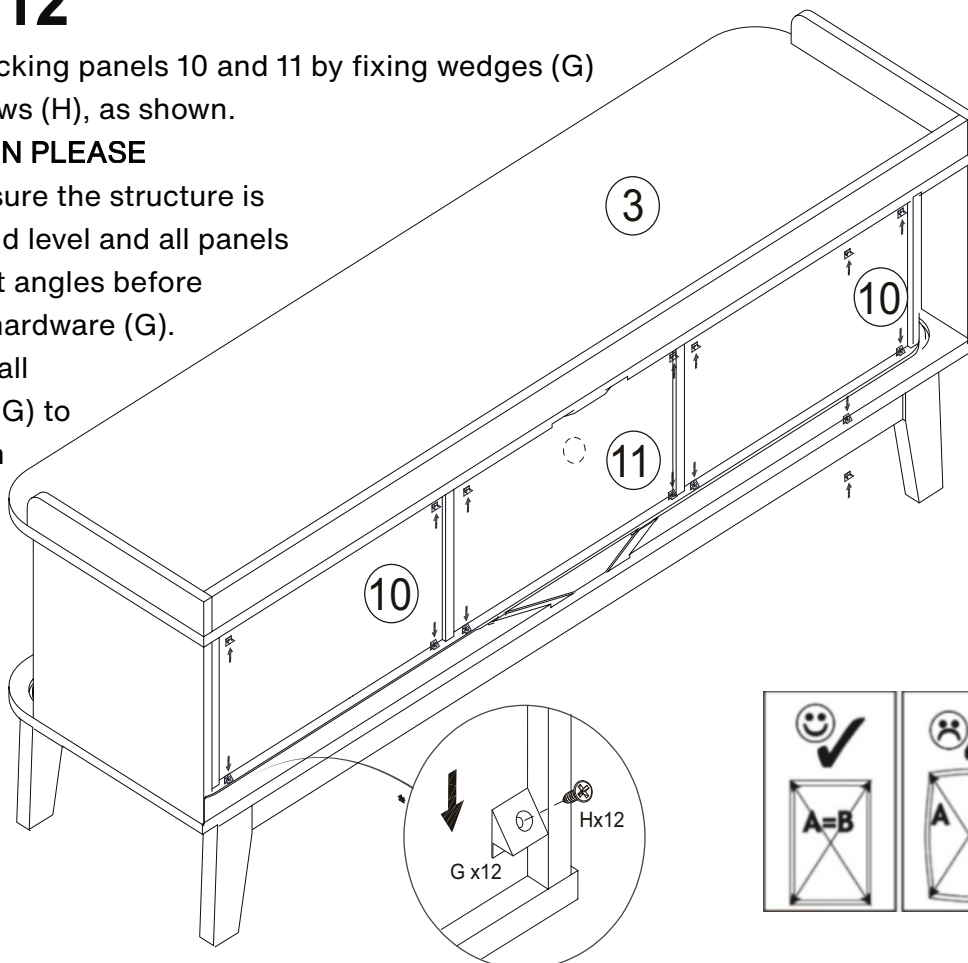
Step 12


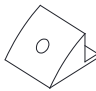
Secure backing panels 10 and 11 by fixing wedges (G) using screws (H), as shown.

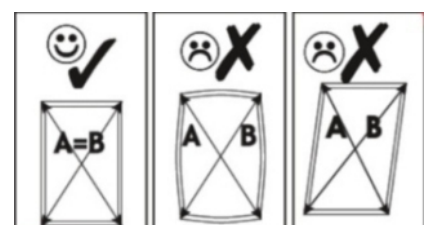
ATTENTION PLEASE

Please ensure the structure is straight and level and all panels are at right angles before installing hardware (G).

MUST install hardware (G) to strengthen product stability.



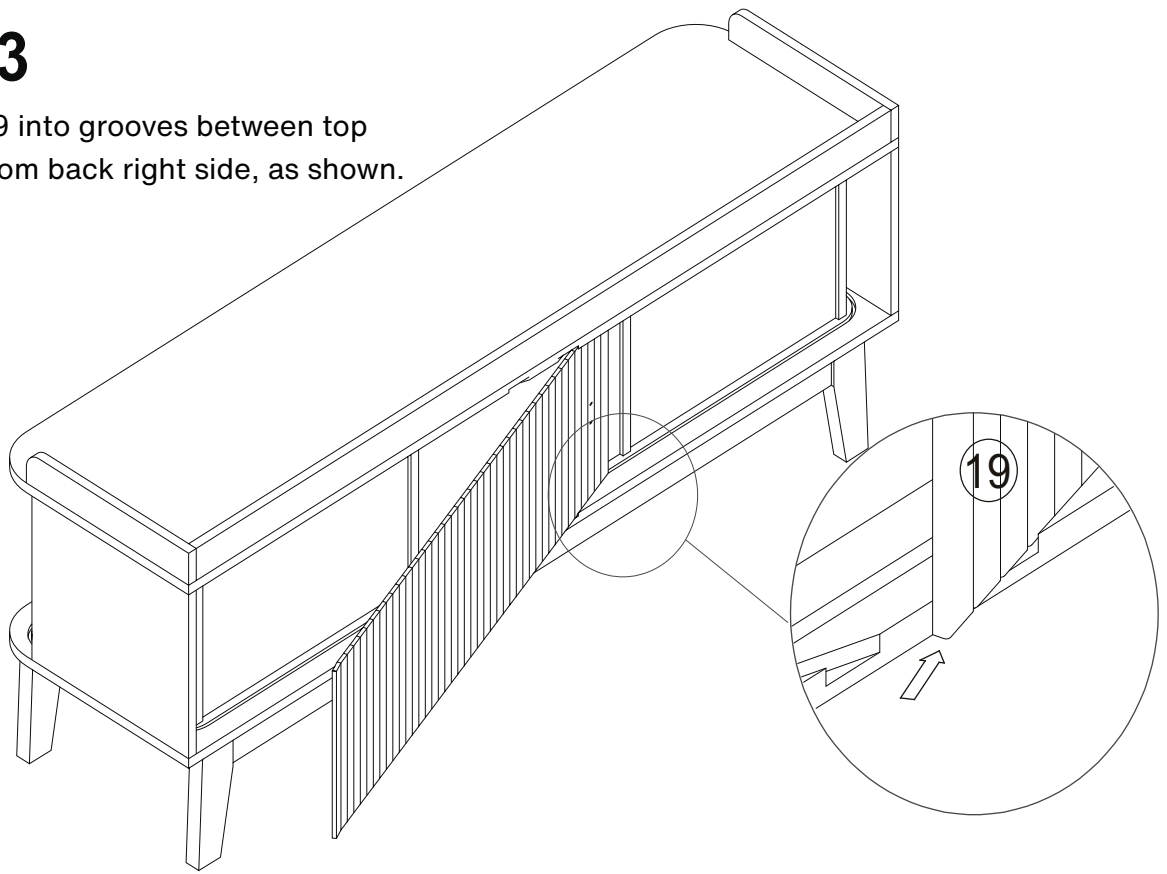
Hx12
 M3 x 16mm
Gx12




Please save this manual for future reference.

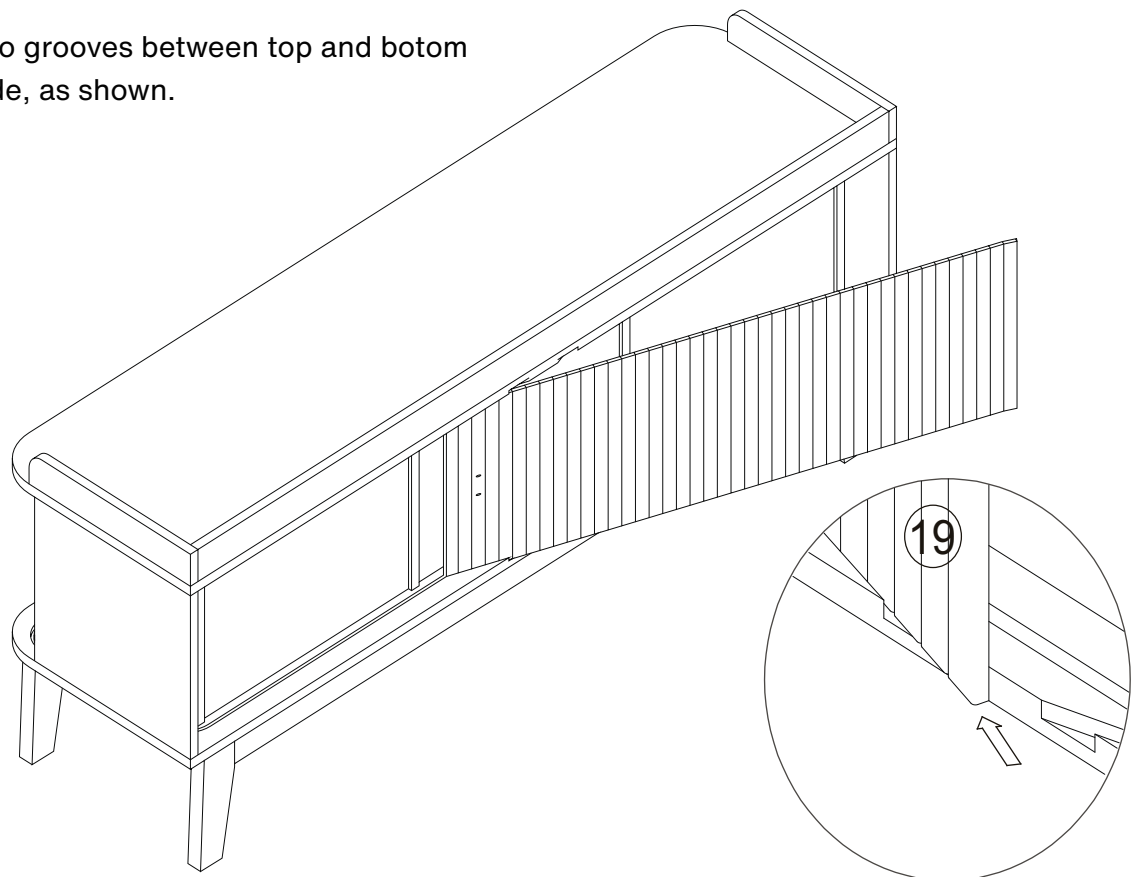
Step 13

Insert door 19 into grooves between top and bottom from back right side, as shown.



Step 14

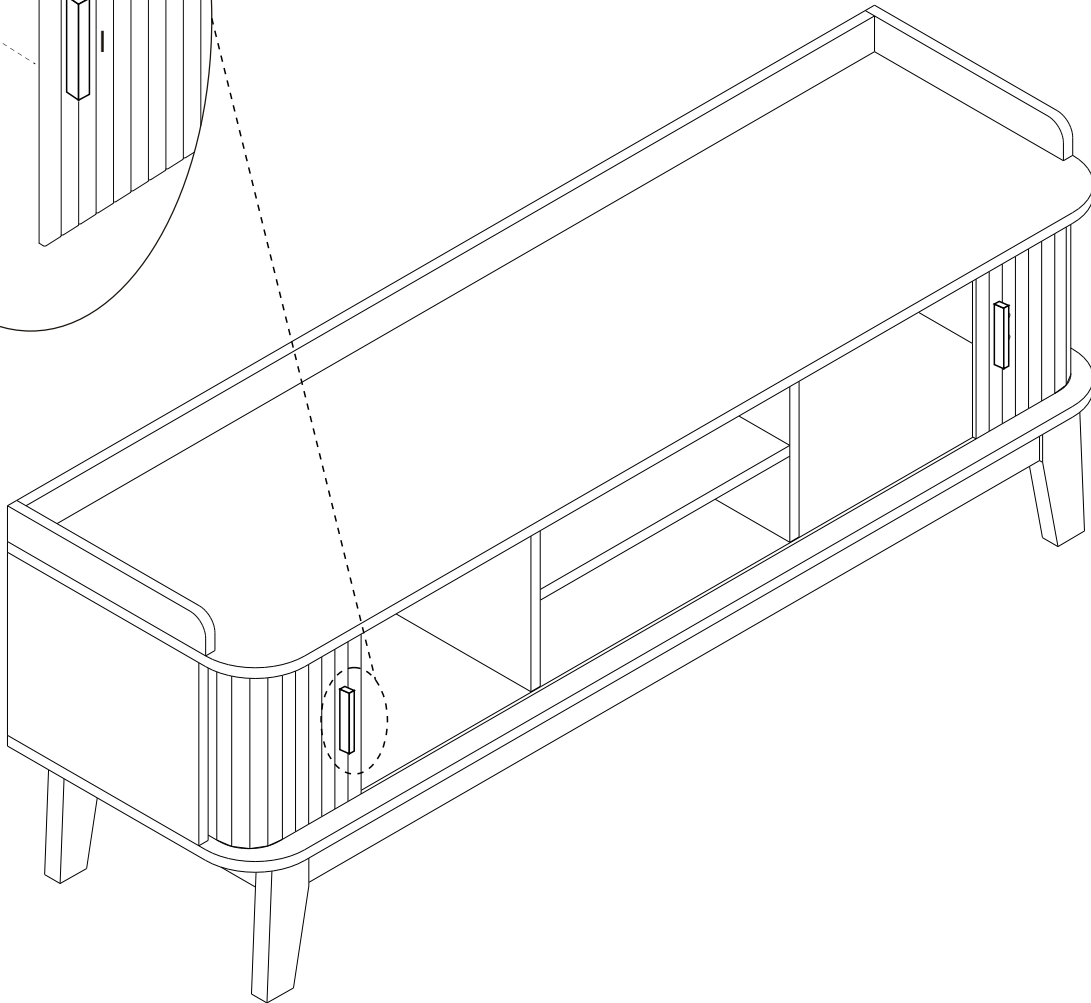
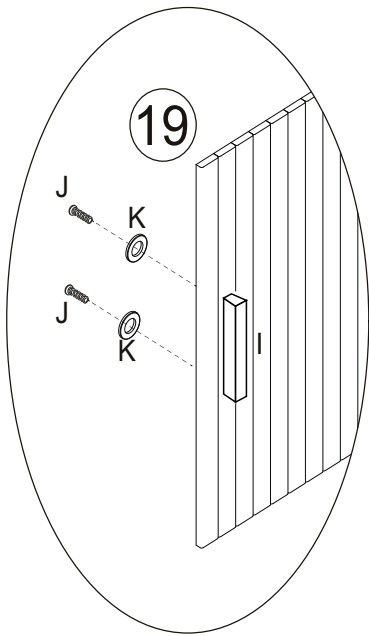
Insert door 19 into grooves between top and bottom from back left side, as shown.

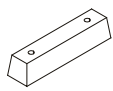
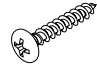



Please save this manual for future reference.

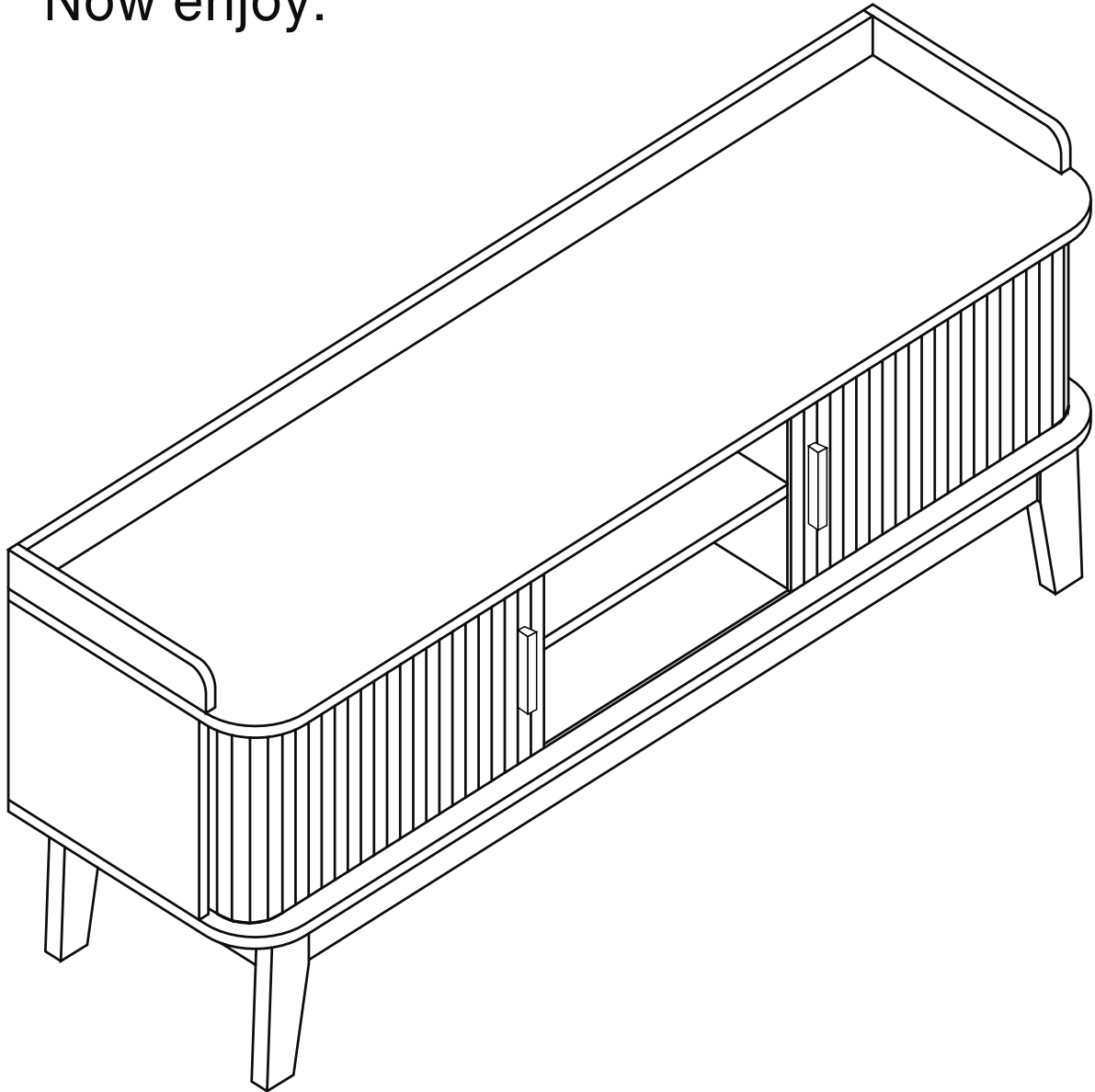
Step

Fix handles (I) to doors 19 using washers (N) and screws (J), as shown.



Ix2

Jx4
 M4 x 18mm
Kx4
 φ12mm

VOILA!
Now enjoy.



Warning

DO NOT sit or stand on the TV Stand as this may damage the product and cause serious bodily injury.

Something not right?

We are always here to help.

We make mistakes like every human does.

Though we always strive to provide the best possible products at competitive prices and the best service in the industry, it's not possible to completely eliminate mistakes. If you experience any dissatisfaction, feel free to contact us immediately. Our in-house customer care team will respond ASAP.



customerservice@luxenhome.com
Get response within 24 hrs



909.548.6688
Mon-Fri 9am-5pm PST/PDT



www.luxenhome.com/help
Submit a ticket on our website

Things to do to expedite the process

- Have your order# ready
- Take photos/videos to help us better identify the issues
- DO NOT throw away the packaging

Happy with our product?

Leave us a review

It really help us as a small business

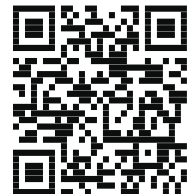
- Find the product you purchased on our website (tip: search by SKU) and leave us a review.
- Alternatively, you can always return to the marketplace where you purchased it and leave a review there.

Share with others

Our customers look for REAL stuff



- Follow us on IG @luxen.home
- Share your #liveluxen moments



**Please save this manual
for future reference.**