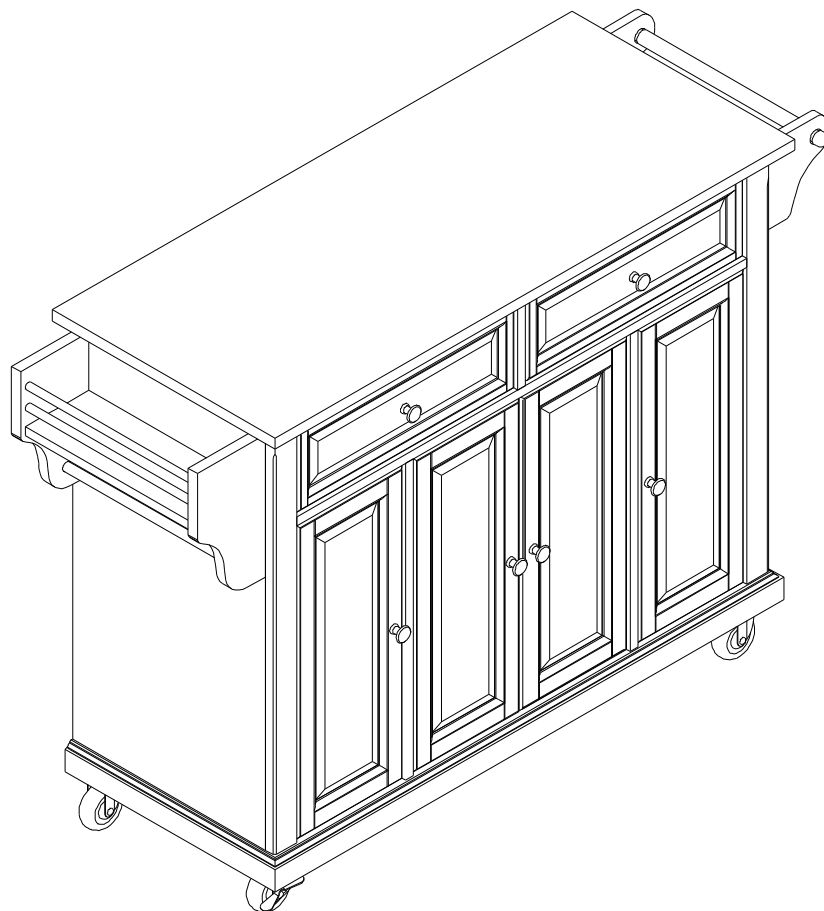


Kitchen Cart / Island Cabinet

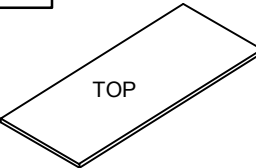
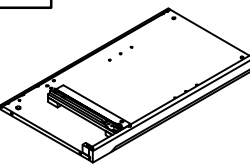
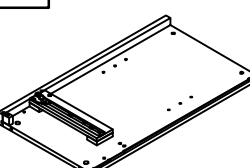
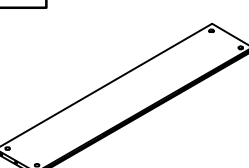
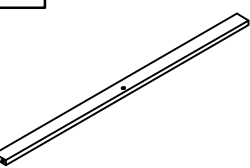
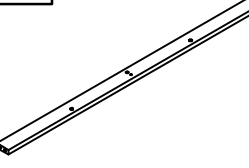
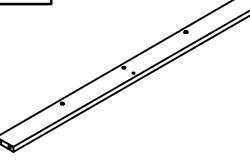
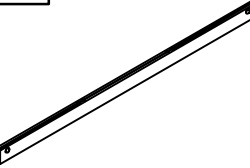
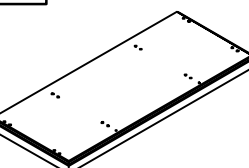
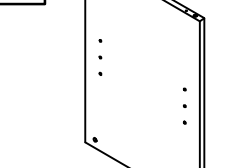
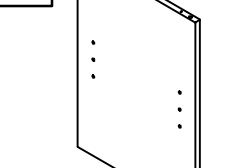
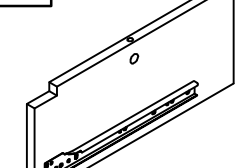
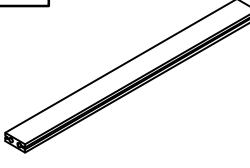
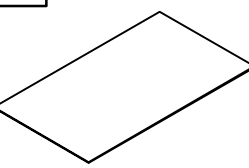
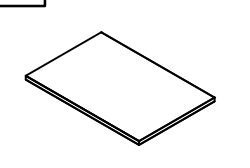
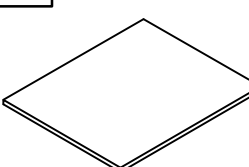
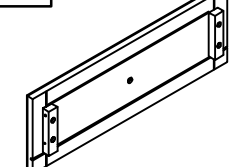
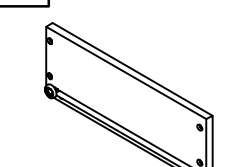
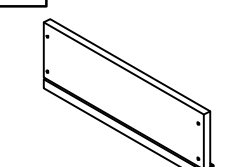
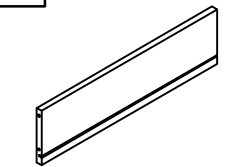
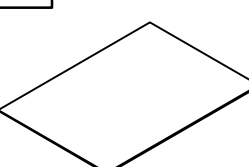
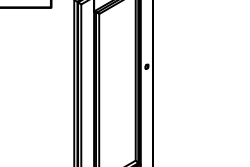
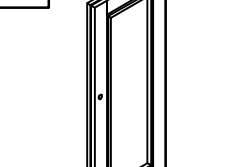
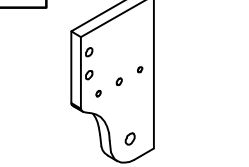
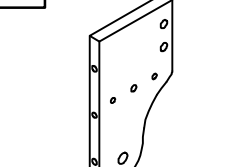


Congratulations! You have purchased a stylish piece of us. We strive to provide fine furniture products, built with quality materials and hand finished details. Please carefully follow the assembly instructions to ensure your furniture is assembled correctly to provide long lasting enjoyment.

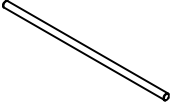
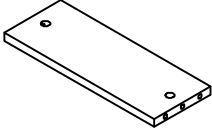
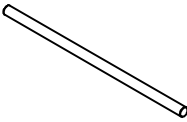
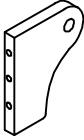
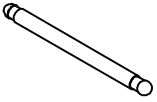
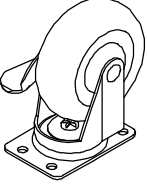
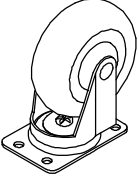
Should you experience any missing or damaged parts, **do not return to the store.**

Care: Use a soft clean cloth that will not scratch the surface when dusting. Use of furniture polish is not necessary. Should you choose to use polishes, test in an inconspicuous area first. Use of solvents of any kind may damage your furniture's finish. To clean, simply use a soft clean cloth moistened with lukewarm water, then buff with a dry soft clean cloth.

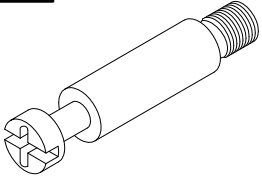
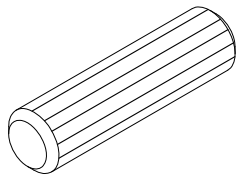
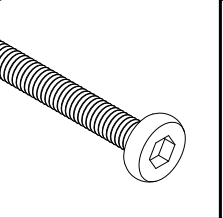
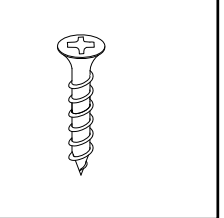
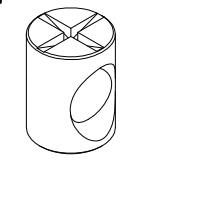
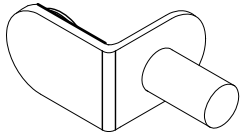
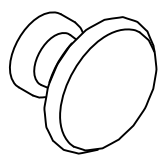
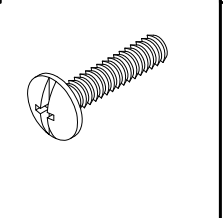
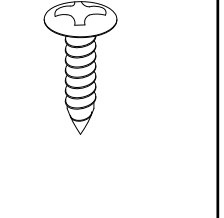
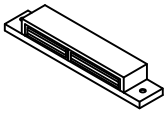
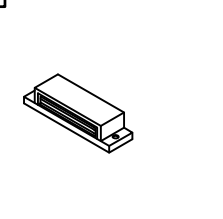
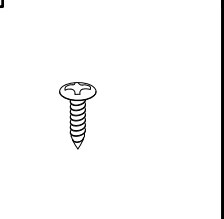
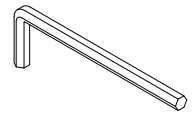
PART LIST

<p>A</p>  <p>TOP</p> <p>Ships in separate carton</p>	<p>B</p> 	<p>C</p> 	<p>D</p> 	<p>E</p> 
1 PC	1 PC	1 PC	1 PC	1 PC
<p>F</p> 	<p>G</p> 	<p>H</p> 	<p>I</p> 	<p>J</p> 
1 PC	1 PC	1 PC	1 PC	1 PC
<p>K</p> 	<p>L</p> 	<p>M</p> 	<p>N</p> 	<p>O</p> 
1 PC	1 PC	2 PCS	3 PCS	2 PCS
<p>P</p> 	<p>Q</p> 	<p>R</p> 	<p>S</p> 	<p>T</p> 
1 PC	2 PCS	2 PCS	2 PCS	2 PCS
<p>U</p> 	<p>V</p> 	<p>W</p> 	<p>X</p> 	<p>Y</p> 
2 PCS	2 PCS	2 PCS	1 PC	1 PC

PART LIST

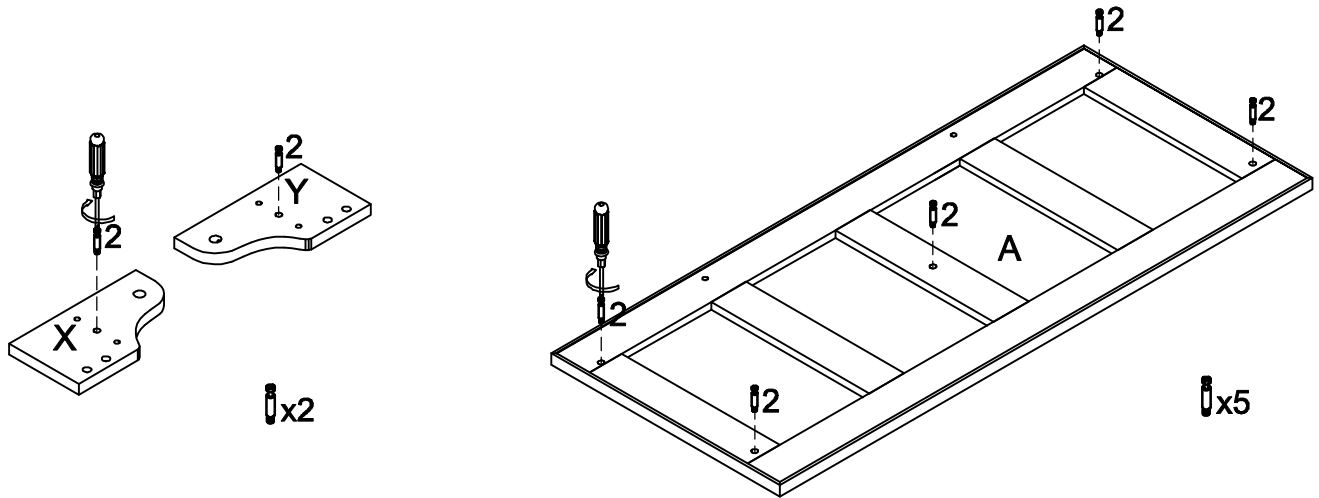
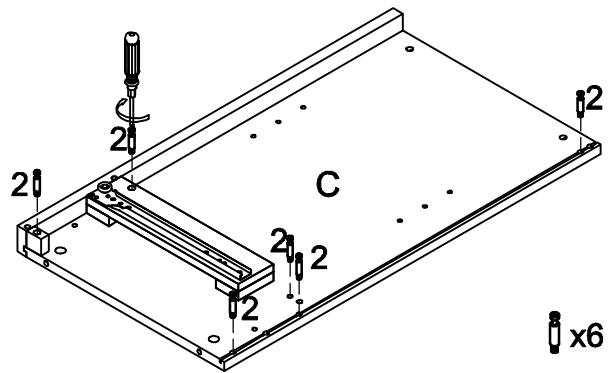
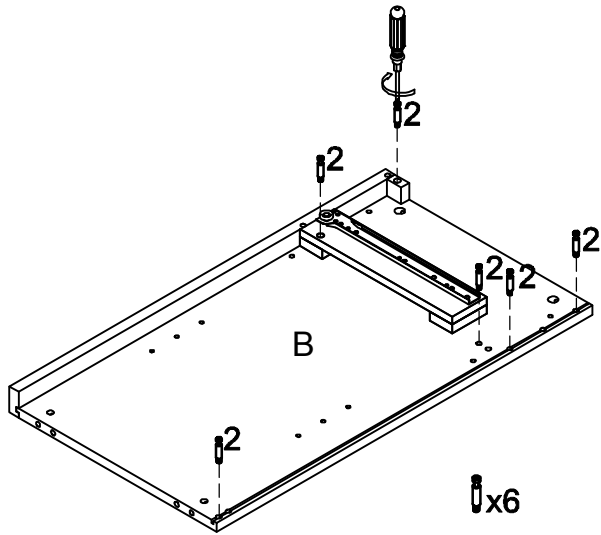
Z 	ZA 	ZB 	ZC 	ZD 
2 PCS	1 PC	1 PC	2 PCS	1 PC
ZE 	ZF 			
2 PCS	2 PCS			

HARDWARE LIST

<div data-bbox="113 125 172 181" style="border: 1px solid black; padding: 2px; text-align: center;">1</div> 	<div data-bbox="389 125 448 181" style="border: 1px solid black; padding: 2px; text-align: center;">2</div> 	<div data-bbox="671 125 730 181" style="border: 1px solid black; padding: 2px; text-align: center;">3</div> 	<div data-bbox="954 125 1013 181" style="border: 1px solid black; padding: 2px; text-align: center;">4</div> 	<div data-bbox="1236 125 1295 181" style="border: 1px solid black; padding: 2px; text-align: center;">5</div> 
<p style="text-align: center;">CAM LOCK 19 PCS</p>	<p style="text-align: center;">CAM BOLT 19 PCS</p>	<p style="text-align: center;">WOOD DOWEL 47 PCS</p>	<p style="text-align: center;">HEX SOCKET HEAD BOLT 14 PCS</p>	<p style="text-align: center;">SCREW 16 PCS</p>
<div data-bbox="113 524 172 580" style="border: 1px solid black; padding: 2px; text-align: center;">6</div> 	<div data-bbox="389 524 448 580" style="border: 1px solid black; padding: 2px; text-align: center;">7</div> 	<div data-bbox="671 524 730 580" style="border: 1px solid black; padding: 2px; text-align: center;">8</div> 	<div data-bbox="954 524 1013 580" style="border: 1px solid black; padding: 2px; text-align: center;">9</div> 	<div data-bbox="1236 524 1295 580" style="border: 1px solid black; padding: 2px; text-align: center;">10</div> 
<p style="text-align: center;">BARREL NUT 8 PCS</p>	<p style="text-align: center;">SHELF HOLDER 12 PCS</p>	<p style="text-align: center;">KNOB 6 PCS</p>	<p style="text-align: center;">ROUND HEAD BOLT 6 PCS</p>	<p style="text-align: center;">LARGE ROUND HEAD SCREW 16 PCS</p>
<div data-bbox="113 922 172 978" style="border: 1px solid black; padding: 2px; text-align: center;">11</div> 	<div data-bbox="389 922 448 978" style="border: 1px solid black; padding: 2px; text-align: center;">12</div> 	<div data-bbox="671 922 730 978" style="border: 1px solid black; padding: 2px; text-align: center;">13</div> 	<div data-bbox="954 922 1013 978" style="border: 1px solid black; padding: 2px; text-align: center;">14</div> 	<div data-bbox="1236 922 1295 978" style="border: 1px solid black; padding: 2px; text-align: center;">15</div> 
<p style="text-align: center;">DOUBLE MAGNET 1 PC</p>	<p style="text-align: center;">MAGNET 2 PCS</p>	<p style="text-align: center;">ROUND HEAD SCREW 6 PCS</p>	<p style="text-align: center;">ALLEN KEY 1 PC</p>	<p style="text-align: center;">LONG SCREW 7 PCS</p>

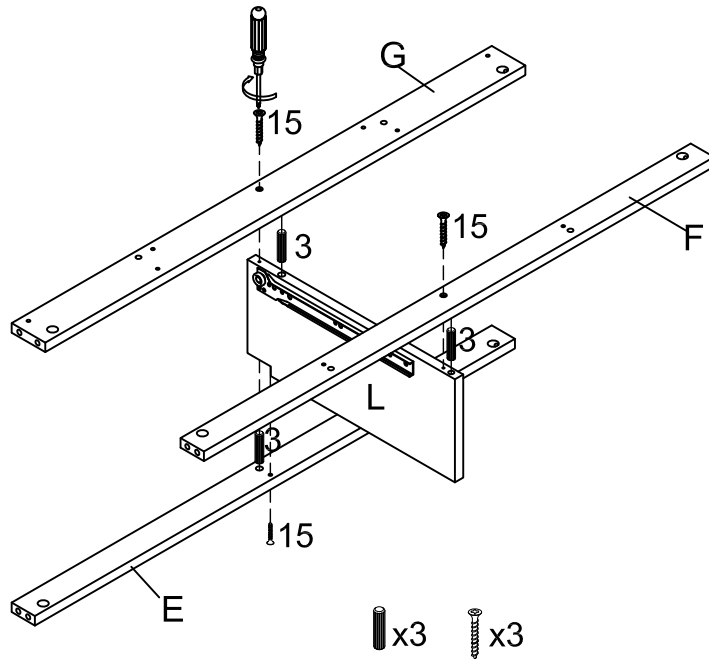
Tools needed: Allen key (part#14) (included)
Phillips Head Screw Driver (Not included)

Step 1. Insert Cam Bolts (part #2) into pre-drilled holes of parts A, B, C, X & Y using a Phillips head screw driver.

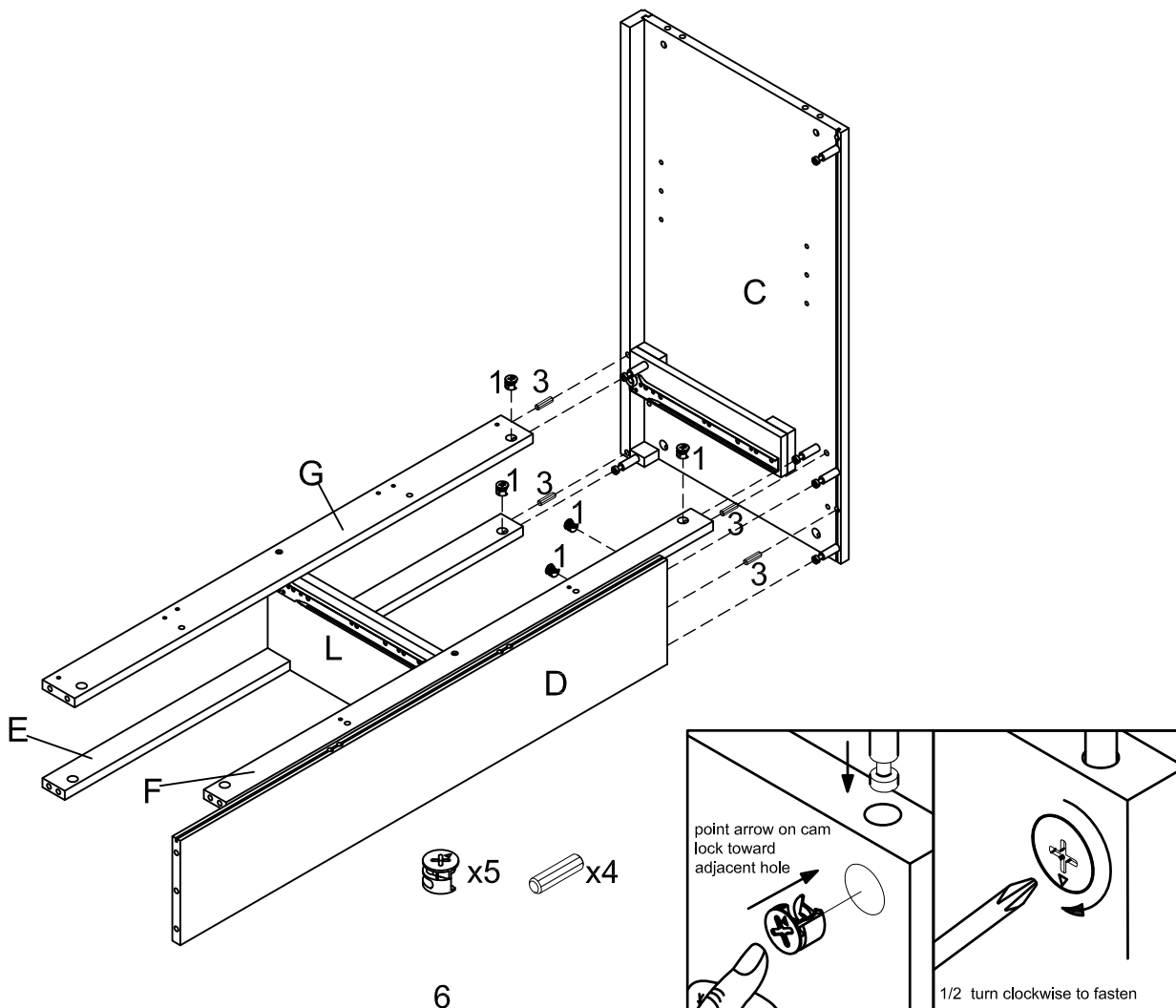


Step 2. Attach Rail E to the notched cutout in Center Panel L with Wood Dowels and Long Screw (Part #15) with Phillips Head screw driver as shown. With Rail E flat on ground, attach Rails G & F to Center Panel L with Wood Dowels and Long Screws (Part #15) with Phillips Head screw driver as shown.

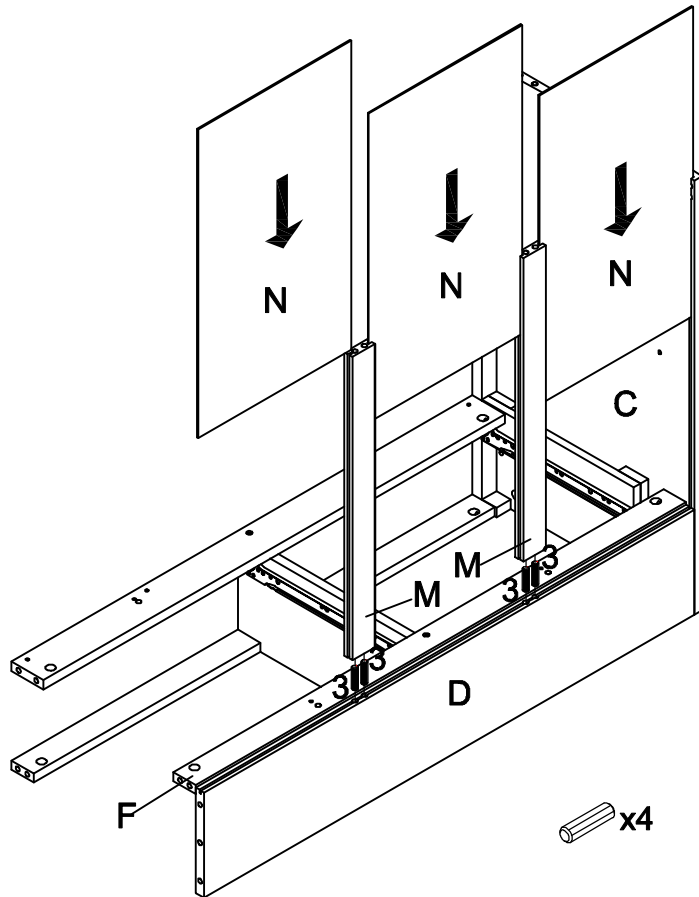
NOTE: Please ensure that wood screws are aligned with the pre-drilled holes in Panel L before tightening.



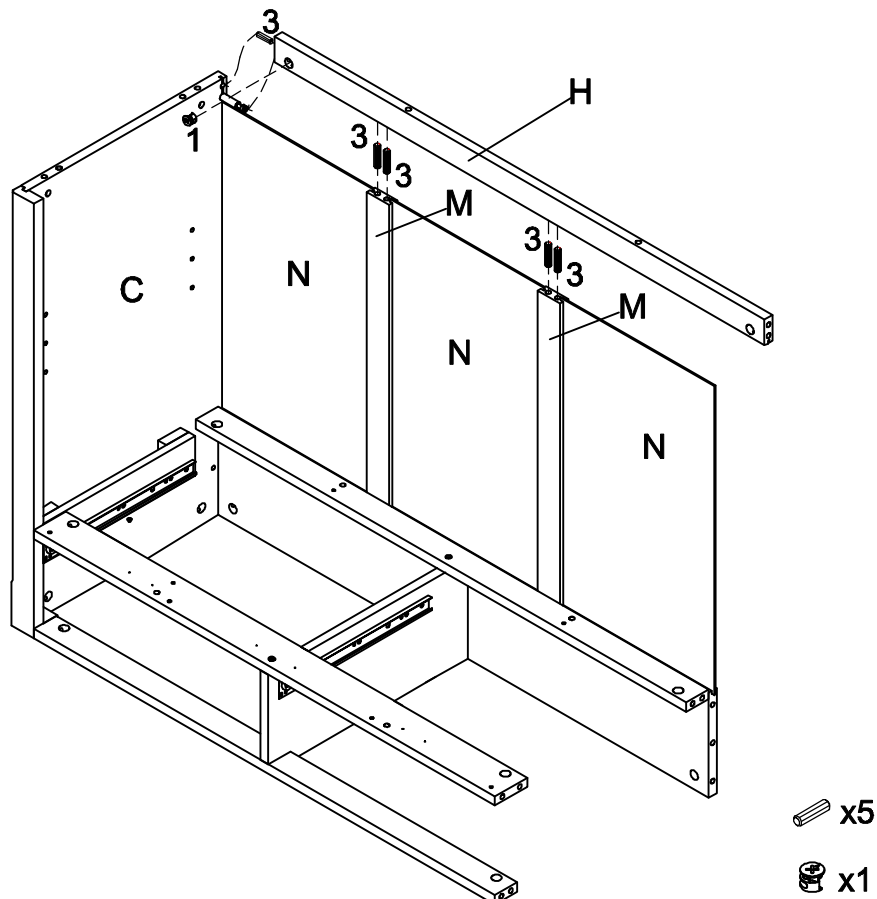
Step 3. Attach assembled parts E, F, G & L to Side Panel C with Wood Dowels & Cam Locks as shown. Attach Back Rail D to Side Panel C with Wood Dowels & Cam Locks as shown.



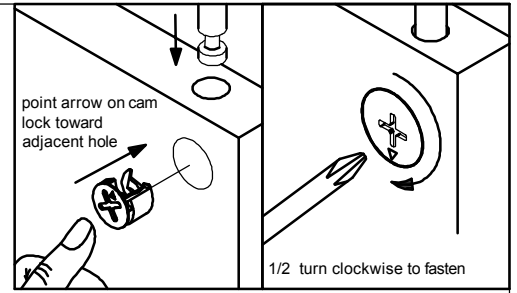
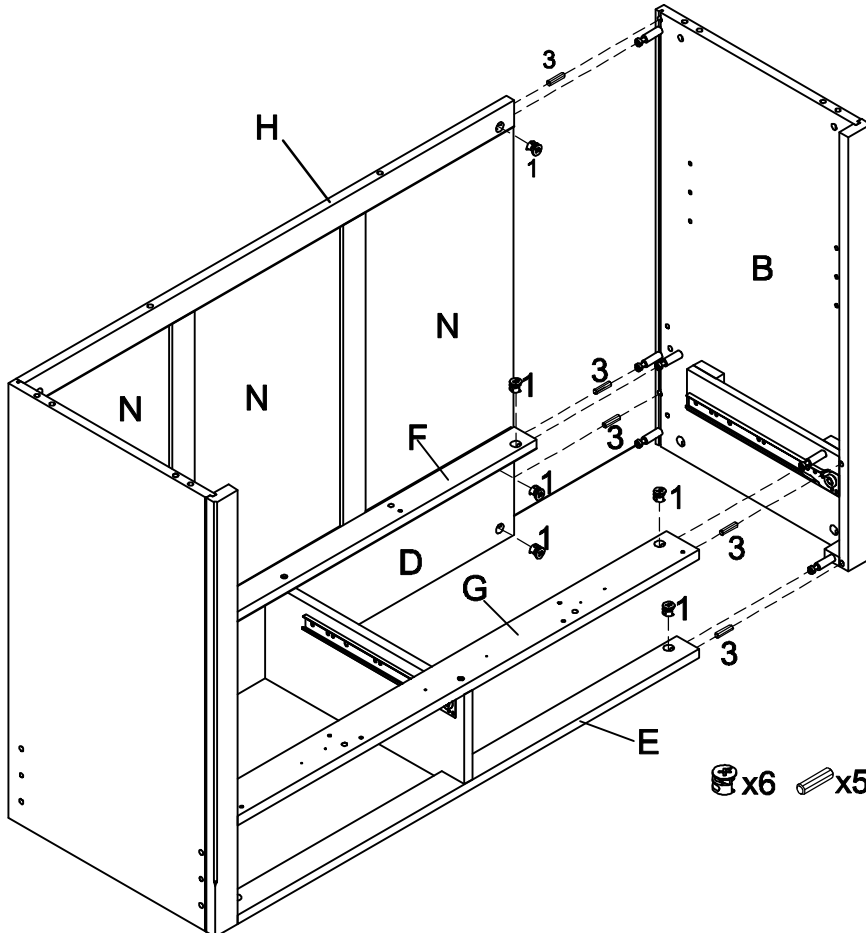
Step 4. Set Rails M into place on Back Rail D using Wood Dowels as shown. Slide Back Panels N into grooves of Parts C & M as shown.



Step 5. Attach Rail H to Rails M & Side Panel C using Wood Dowels & Cam Lock as shown.

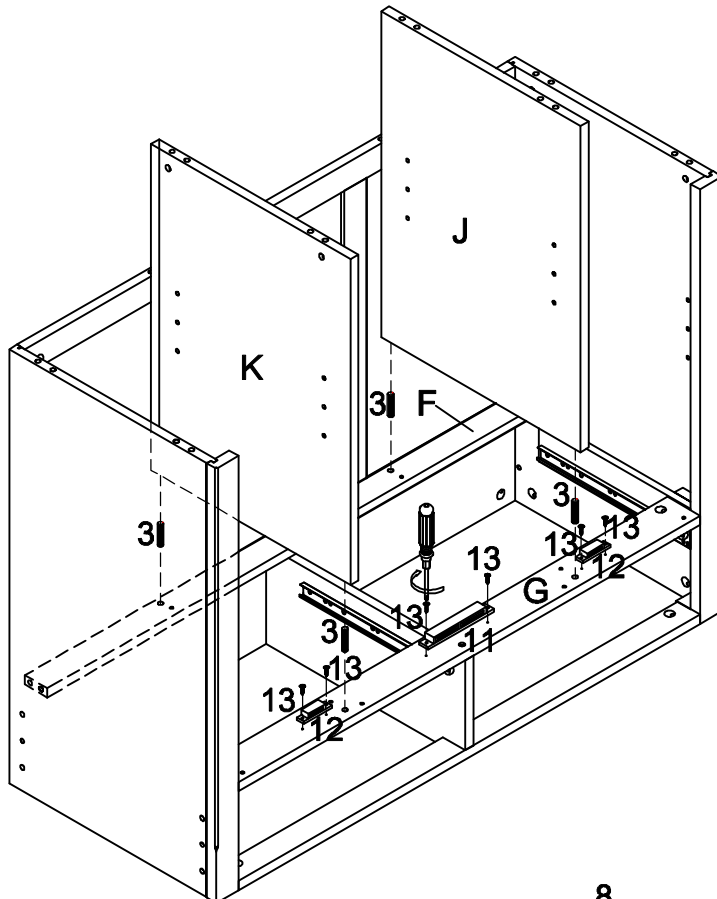


Step 6. Attach Side Panel B to Parts D, E, F, G, & H using Wood Dowels & Cam locks as shown.



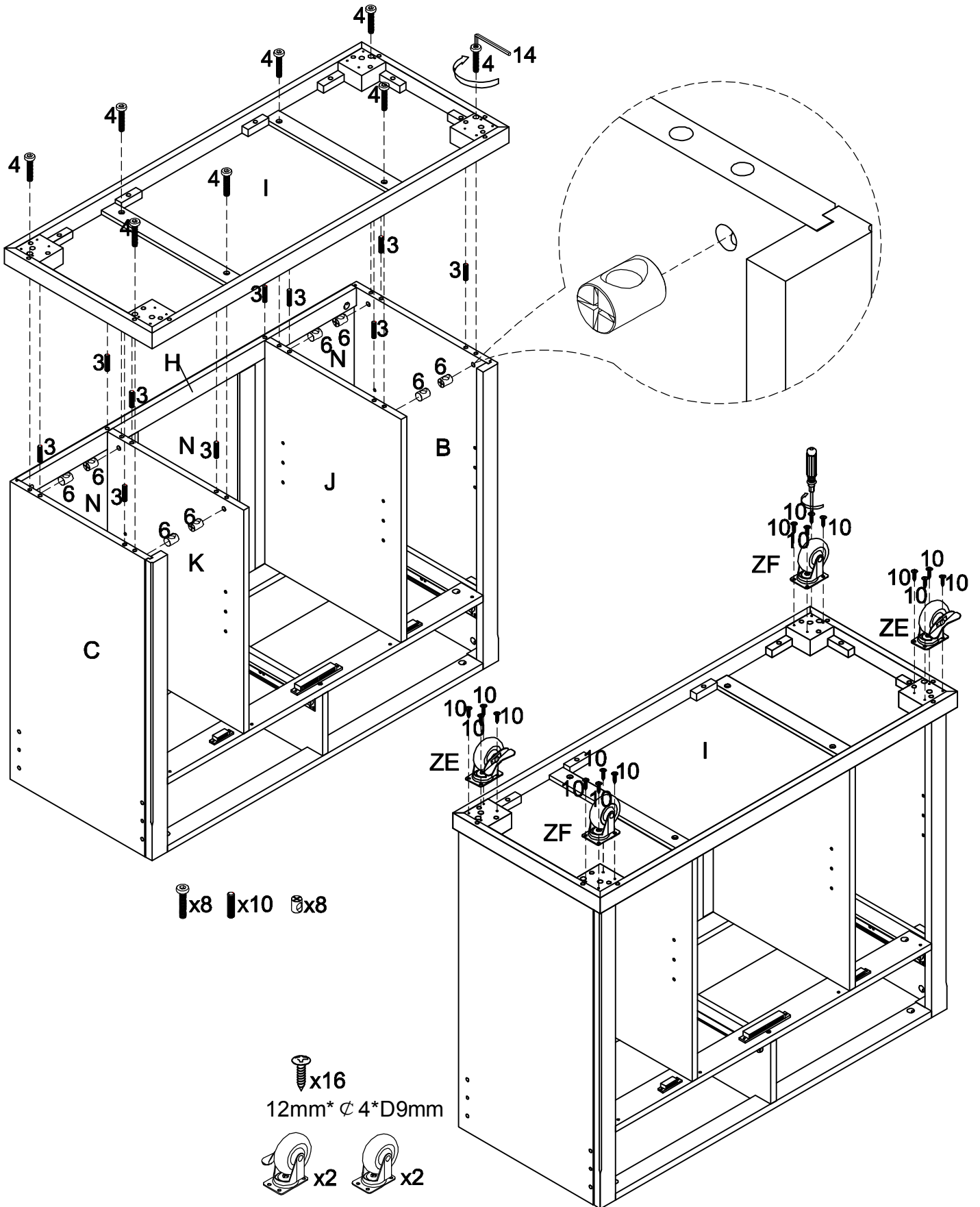
⊗ x6 ⊗ x5

Step 7. Attach Double Magnet (Part #11) & Magnets (Part #12) to Rail G using Round Head Screws (Part #13) with Phillips Head screw driver as shown. Set Panels J & K into place on Rails F & G using Wood Dowels as shown.

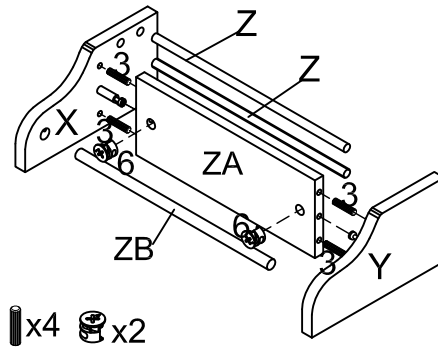


⊗ x4 ⊗ x1
 ⊗ x2 ⊗ x6
 12mm* ⌀ 3*D6mm

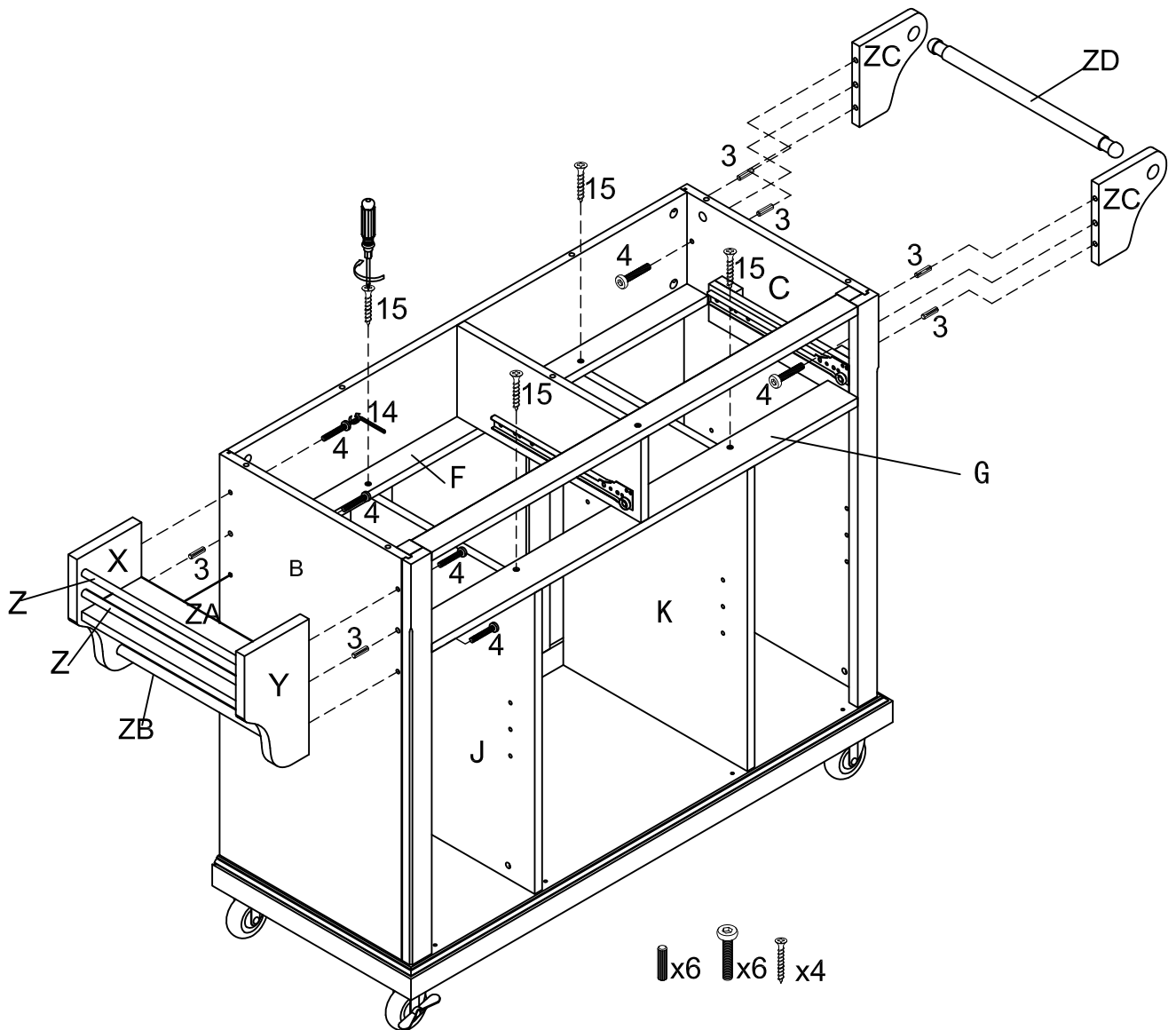
Step 8. Attach Base I to cabinet using Wood dowels, Hex Socket Head Bolts (Part #4) & Barrel nuts (Part #6) as shown. Attach Locking Casters (Part ZE) & Casters (Part ZF) to Base I, using Large Round Head Screws (Part #10) & Phillips Head screw driver as shown. **NOTE: IF YOU PURCHASED A KITCHEN ISLAND WITH WOOD LEGS, DO NOT ATTACH THE CASTERS.** Attach the wood legs using Hex Socket Head Bolts, & Wood Dowels (as shown in instruction manual included in carton with the legs). Carefully turn cabinet with legs or casters on the floor.



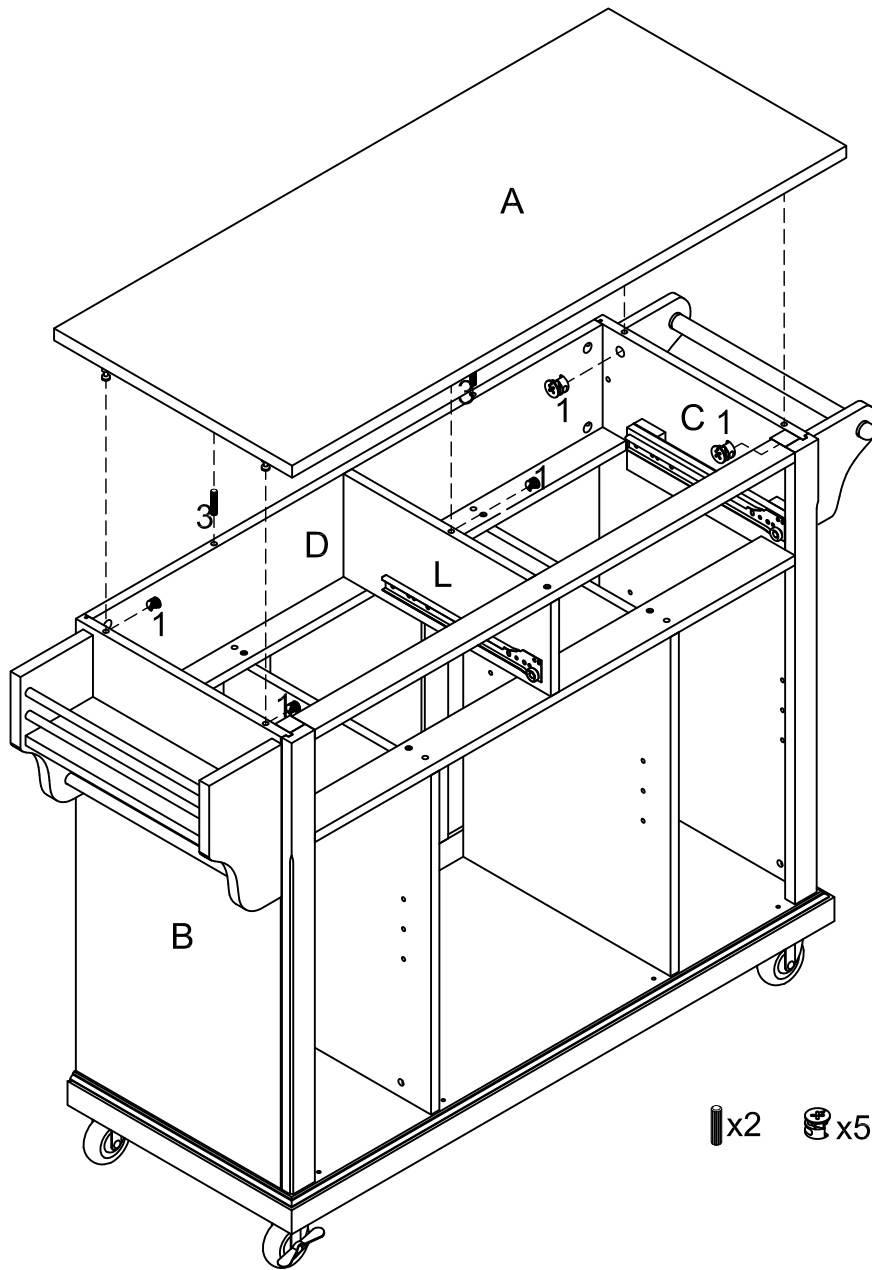
Step 9. Insert Wood Rods (Part ZB & Parts Z) into the pre-drilled holes in Part X as shown. Attach Part ZA to Part X using Wood Dowels and Cam Lock as shown. Attach Part Y to Parts Z, ZB, & ZA using Wood Dowels and Cam Lock as shown.



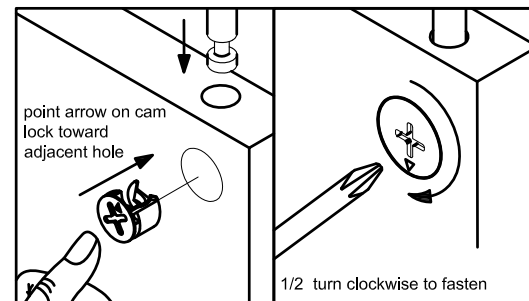
Step 10. Secure Panels J & K to Rails F & G using Long Screws (Part #15) & Phillips Head screw driver as shown. Attach Spice Rack (Assembled Parts X, Y, Z, & ZB) to Side Panel B using Hex Socket Head Bolts & Wood Dowels as shown. Attach Parts ZC (Towel Bar Sides) to Side Panel C using Hex Socket Head Bolts & Wood Dowels as shown. Insert Towel Bar (Part ZD) through the holes of Parts ZC. Note: Hex Socket Head Bolts will be inserted from the inside of the cabinet.



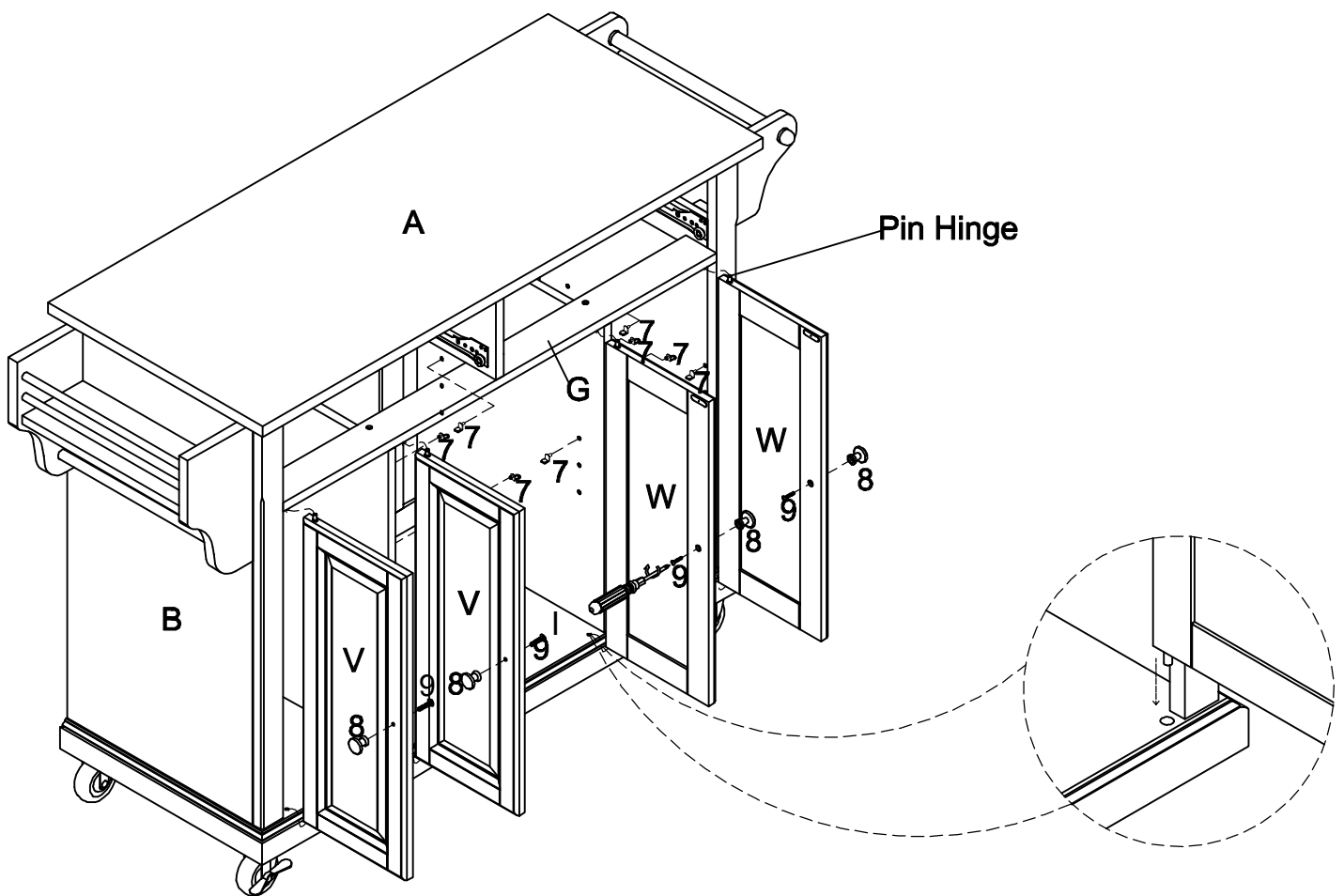
Step 11. Attach Top A to cabinet using Wood Dowels & Cam locks as shown.
Top A ships separately in a different carton than the cabinet.



1 x2 3 x5



Step 12. Attach Hardware Knobs to Doors (Parts V & W) using Round Head Bolts (Part #9) & Phillips Head screw driver as shown. Attach doors to cabinet by placing bottom Pin Hinge into pre-drilled holes in Base I & depressing top spring loaded Pin Hinge to fit door into place in Rail G. **Note: Be sure Pin Hinges (top & bottom) have fully extended into the pre-drilled holes in Base I and Rail G to secure doors into place. Insert the Shelf Holders (Part #7) into desired position.**



 x4
  x4
  x12

Step 13 Assemble drawers by Attaching Drawer Front Q to Drawer Sides S & R using Screws (Part #5) & Phillips Head screw driver as shown. **NOTE: BE SURE THAT THE WHEELS ON DRAWER GLIDES ARE AT THE OPPOSITE SIDE OF THE DRAWER FRONT.** Insert Bottom Panel U into the grooves of Parts S, R & Q. Attach Back Panel T to Parts S & R using Screws (Part #5) & Phillips Head screw driver as shown. Repeat this step for the other drawer. Insert drawers and shelves into cabinet as shown in diagram on page 14.

