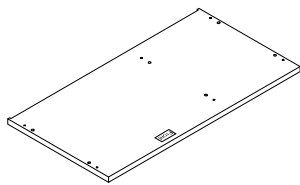
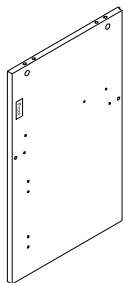


PARTS LIST



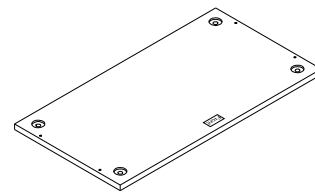
NAME: TOP PANEL
CODE: 1
QTY: 1Pc



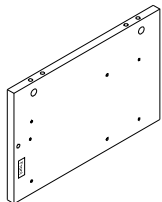
NAME:SIDE PANEL(LEFT)
CODE: 2
QTY: 1Pc



NAME:SIDE PANEL(RIGHT)
CODE: 3
QTY: 1Pc



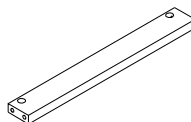
NAME: BOTTOM PANEL
CODE: 4
QTY: 1Pc



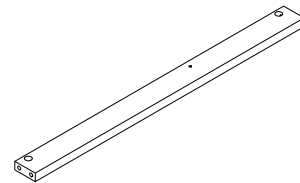
NAME: PARTITION
CODE: 5
QTY: 1Pc



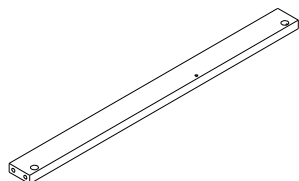
NAME: LEG
CODE: 6
QTY: 4Pcs



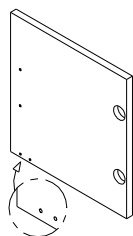
NAME: TOP BAR
CODE: 7
QTY: 1Pc



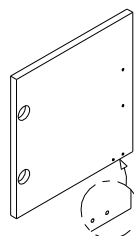
NAME: FRONT CENTER BAR
CODE: 8
QTY: 1Pc



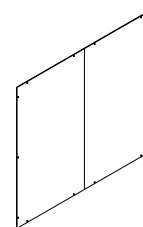
NAME: BACK CENTER BAR
CODE: 9
QTY: 1Pc



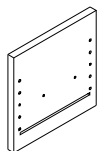
NAME: DOOR(LEFT)
CODE: 10
QTY: 1Pc



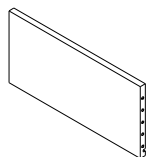
NAME: DOOR(RIGHT)
CODE: 11
QTY: 1Pc



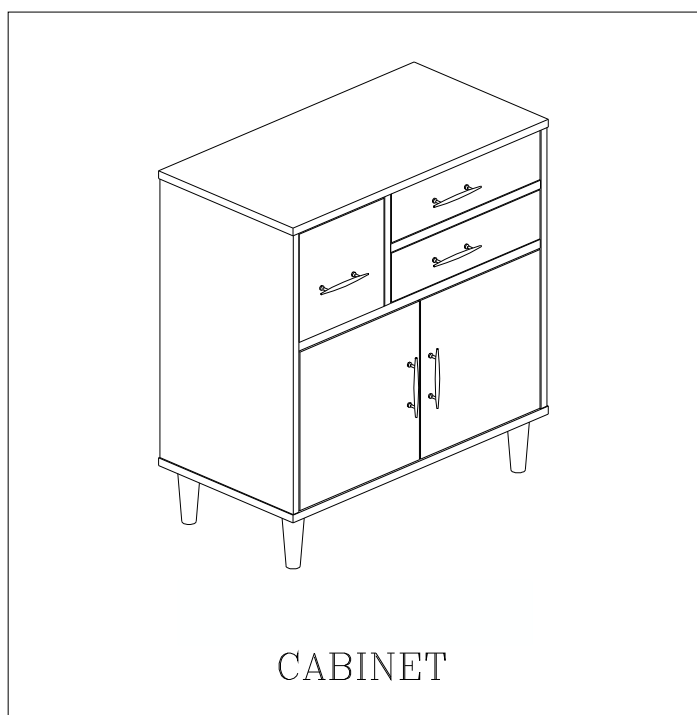
NAME: BACK PLY
CODE: 12
QTY: 1Pc



NAME: SMALL DRAWER FRONT
CODE: 101
QTY: 1Pc

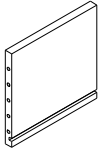


NAME: SMALL DRAWER SIDE(LEFT)
CODE: 102
QTY: 1Pc

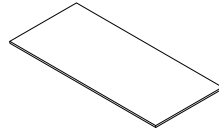


CABINET

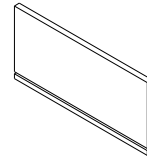
-THE UNIT SHOULD BE ASSEMBLED BY 2 OR MORE PEOPLE
-EXTRA HARDWARE INCLUDED



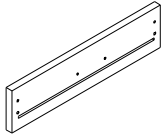
NAME: SMALL DRAWER BACK
 CODE: 103
 QTY: 1Pc



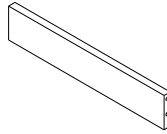
NAME: SMALL DRAWER BASE
 CODE: 104
 QTY: 1Pc



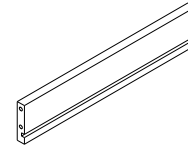
NAME: SMALL DRAWER SIDE(RIGHT)
 CODE: 105
 QTY: 1Pc



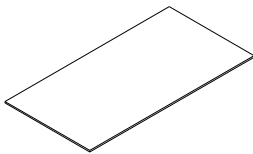
NAME: BIG DRAWER FRONT
 CODE: 106
 QTY: 2Pcs



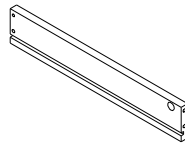
NAME: BIG DRAWER SIDE(LEFT)
 CODE: 107
 QTY: 2Pcs



NAME: BIG DRAWER BACK
 CODE: 108
 QTY: 2Pcs



NAME: BIG DRAWER BASE
 CODE: 109
 QTY: 2Pcs



NAME: BIG DRAWER SIDE(RIGHT)
 CODE: 110
 QTY: 2Pcs

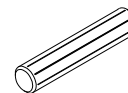
HARDWARE LIST



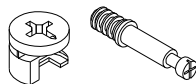
NAME: CHIPBOARD SCREW M3X16mm
 CODE: A
 QTY: 36Pcs



NAME: CHIPBOARD SCREW M4X38mm
 CODE: B
 QTY: 6Pcs



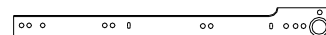
NAME: WOOD DOWEL M8X35mm
 CODE: C
 QTY: 18Pcs



NAME: CAM LOCK & CAM BOLT
 CODE: D
 QTY: 24Sets



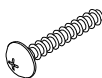
NAME: WOOD DOWEL M6X30mm
 CODE: E
 QTY: 24Pcs



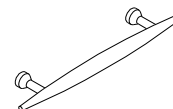
NAME: RUNNER 350mm
 CODE: F
 QTY: 3Sets



NAME: CAM LOCK COVER
 CODE: G
 QTY: 24Pcs



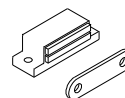
NAME: PANHEAD SCREW M4X22mm
 CODE: H
 QTY: 10Pcs



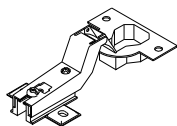
NAME: HANDLE
 CODE: I
 QTY: 5Pcs



NAME: PANHEAD CHIPBOARD SCREW M4X16mm(BLACK)
 CODE: J
 QTY: 14Pcs



NAME: MAGNET & METAL WARE
 CODE: K
 QTY: 2Sets



NAME: HINGES H-7
 CODE: L
 QTY: 4Pcs



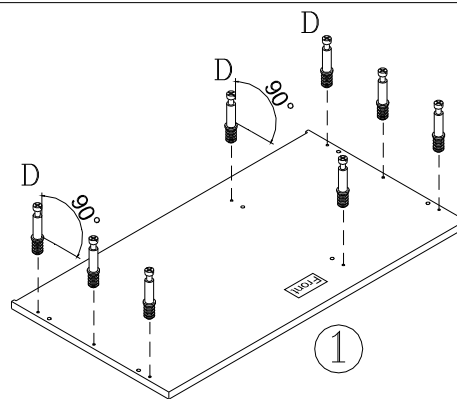
NAME: CHIPBOARD SCREW M3X12mm
 CODE: M
 QTY: 4Pcs



NAME: CHIPBOARD SCREW M4X16mm
 CODE: N
 QTY: 20Pcs

STEP 1

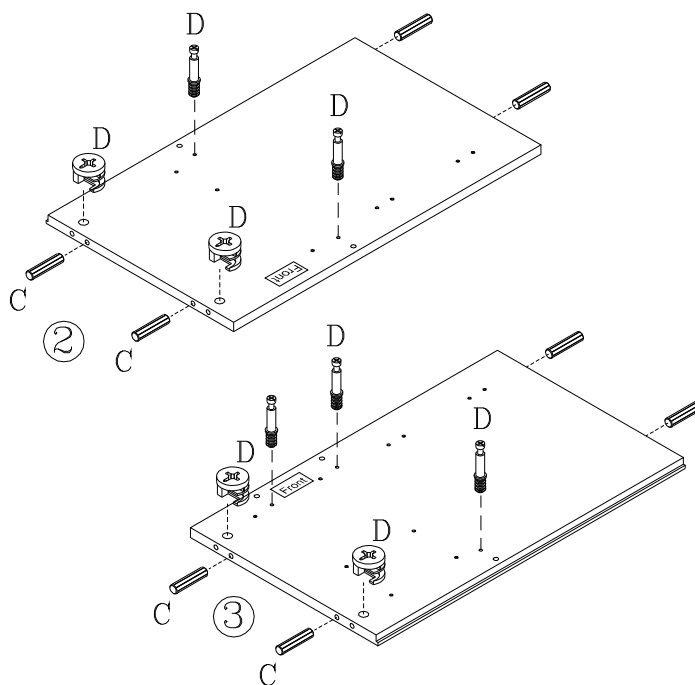
- A) Insert & secure Cam Bolt(D) to Top Panel(1)



STEP 2

- A) Insert Wood Dowel(C) to Left&Right Side Panel(2&3)
- B) Attach Cam Lock(D) to Left&Right Side Panel(2&3)
- C) Insert & secure Cam Bolt(D) to Left&Right Side Panel(2&3)

Note : Make sure arrows on each Cam Lock point towards nearest edge with holes



STEP 3

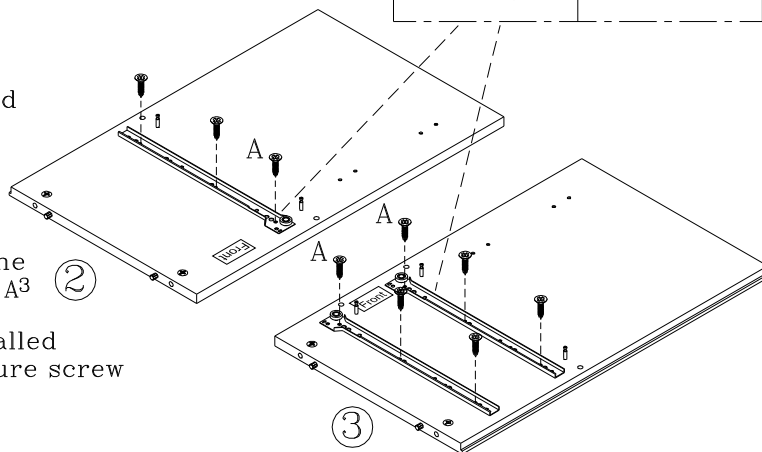
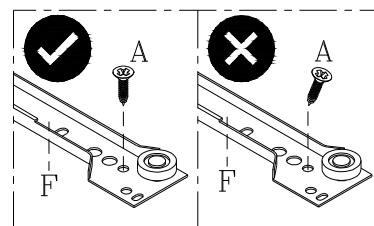
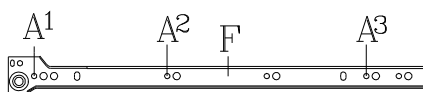
- A) Attach Runner(F) to Left&Right Side Panel(2&3) using Chipboard Screw(A) to secure

NOTE : Runner roller should be toward the front of the panel

NOTE : Do not over tighten the Screw

NOTE : Chipboard Screw(A) should be assembled from the front of the runner. Start from A¹, A² then A³

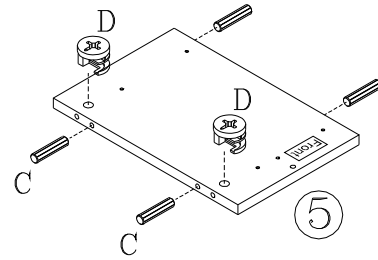
NOTE : Make sure the screws are installed vertically without slant to ensure screw sits properly in the hole



STEP 4

- A) Insert Wood Dowel(C) to Partition(5)
- B) Attach Cam Lock(D) to Partition(5)

Note : Make sure arrows on each Cam Lock point towards nearest edge with holes



STEP 5

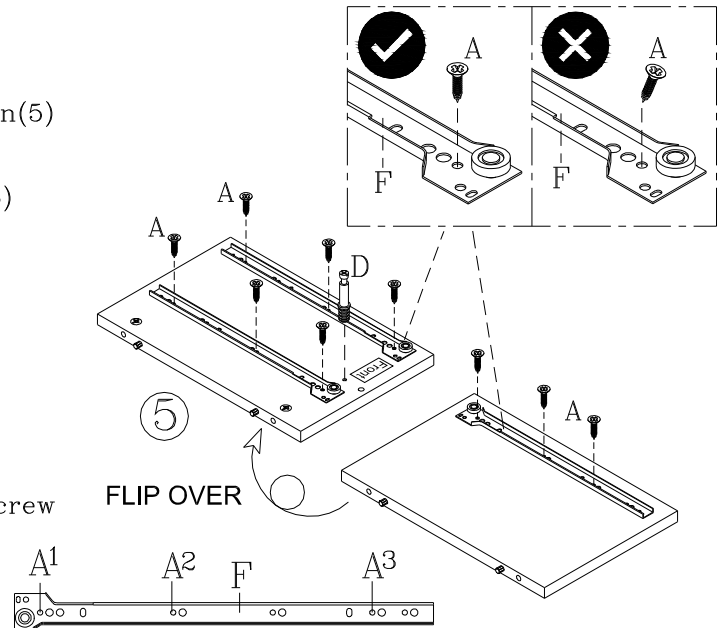
- A) Attach Runner(F) to both sides of Partition(5) using Chipboard Screw(A) to secure
- B) Insert & secure Cam Bolt(D) to Partition(5)

NOTE : Runner roller should be toward the front of the panel

NOTE : Do not over tighten the Screw

NOTE : Chipboard Screw(A) should be assembled from the front of the runner. Start from A¹, A² then A³

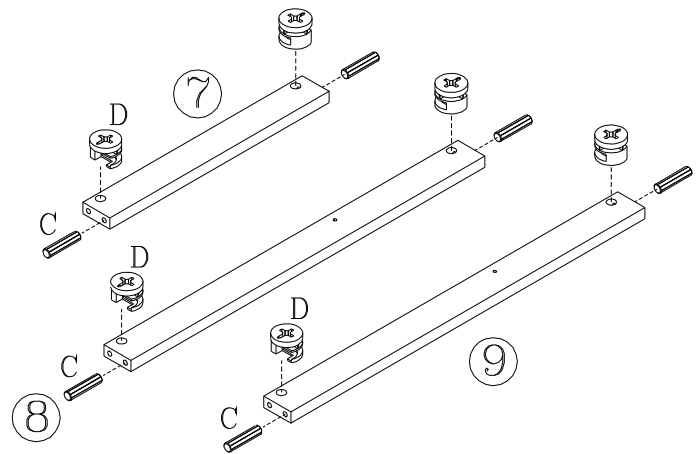
NOTE : Make sure the screws are installed vertically without slant to ensure screw sits properly in the hole



STEP 6

- A) Insert Wood Dowel(C) to Top Bar, Front&Back Center Bar (7,8&9)
- B) Attach Cam Lock(D) to Top Bar, Front&Back Center Bar (7,8&9)

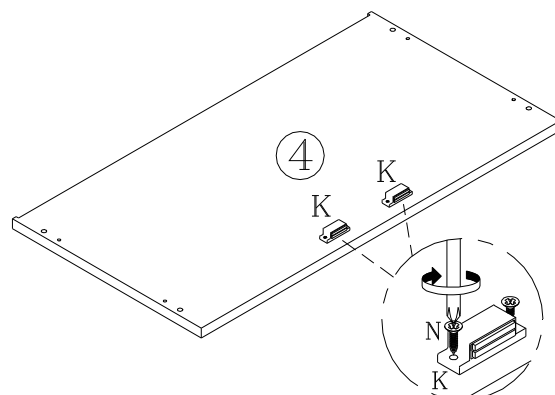
Note: Make sure arrows on each Cam Lock point towards nearest edge with holes



STEP 7

- A) Attach Magnet(K) to Bottom Panel(4) secure using Chipboard Screw(N)

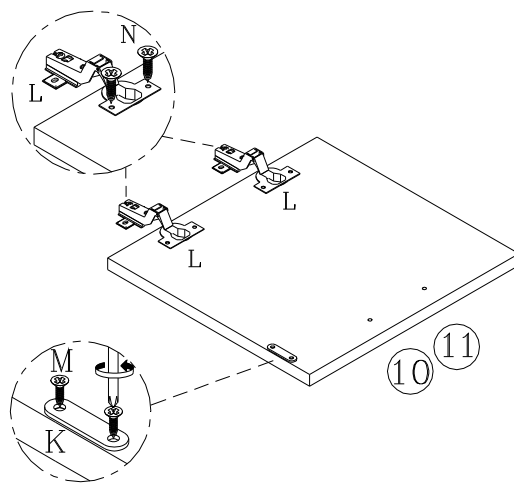
NOTE : Do not over tighten the Screw



STEP 8

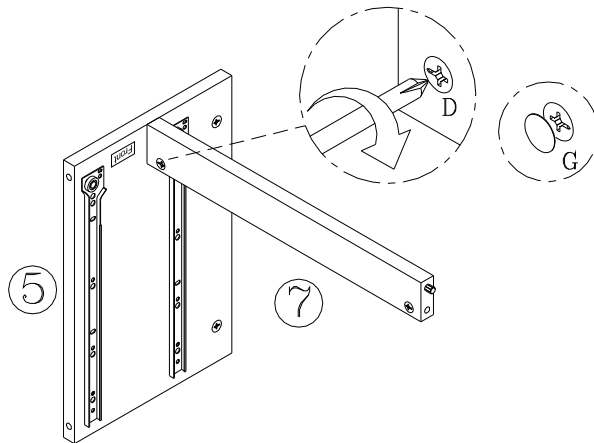
- A) Attach Hinges(L) to both Door(10&11) using Chipboard Screw(N) to secure
- B) Attach Magnet(K) to both Door(10&11) secure using Chipboard Screw(M)

NOTE : Do not over tighten the screw



STEP 9

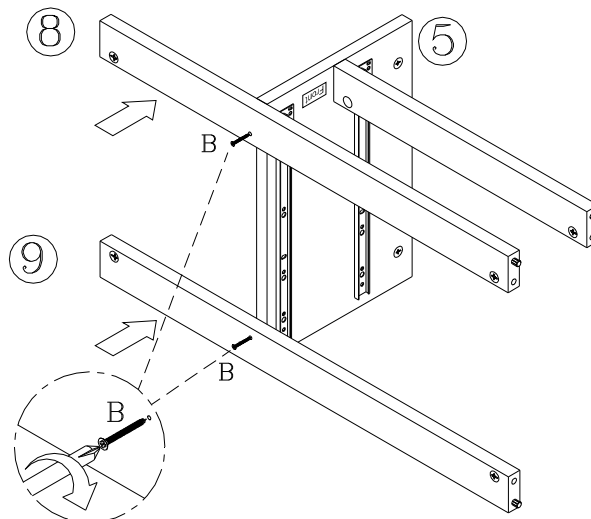
- A) Attach Top Bar(7) to Partition(5) & secure with Cam Lock(D)
- B) Using Cam Lock Cover(G) to cover Cam Lock(D)



STEP 10

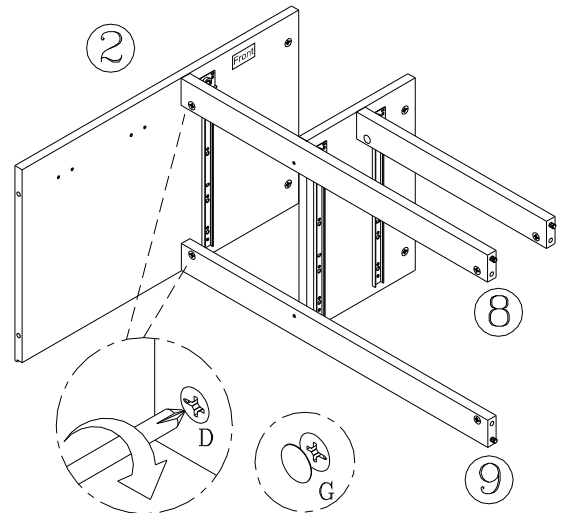
- A) Attach Front&Back Center Bar(8&9) to Partition(5) & using Chipboard Screw(B) to secure

NOTE : Do not over tighten the screw

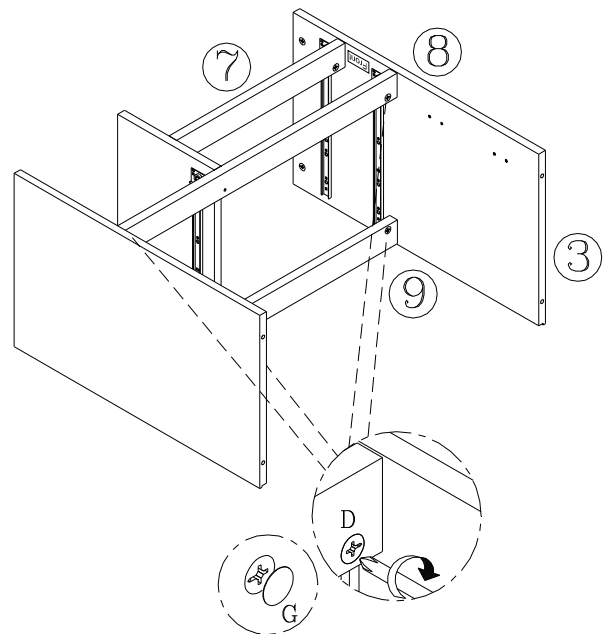


STEP 11

- A) Attach Front&Back Center Bar(8&9) to Left Side Panel(2)& secure with Cam Lock(D)
- B) Using Cam Lock Cover(G) to cover Cam Lock(D)

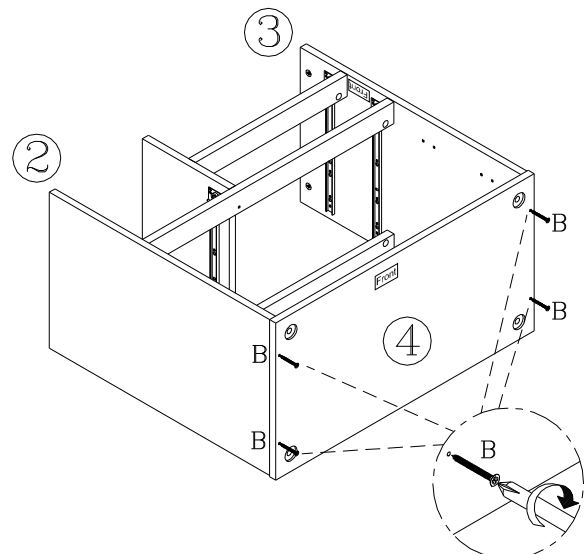
STEP 12

- A) Attach Top Bar(7), Front&Back Center Bar(8&9) to Right Side Panel(3)& secure with Cam Lock(D)
- B) Using Cam Lock Cover(G) to cover Cam Lock(D)

STEP 13

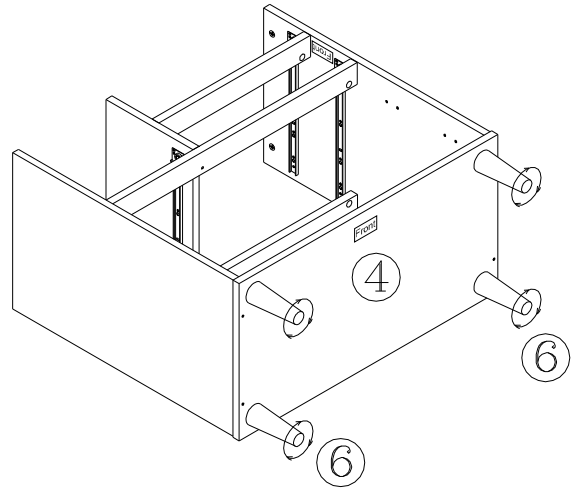
- A) Attach Bottom Panel(4) to underneath of Left&Right Side Panel(2&3) using Chipboard Screw(B) to secure

NOTE: Do not over tighten the Screw

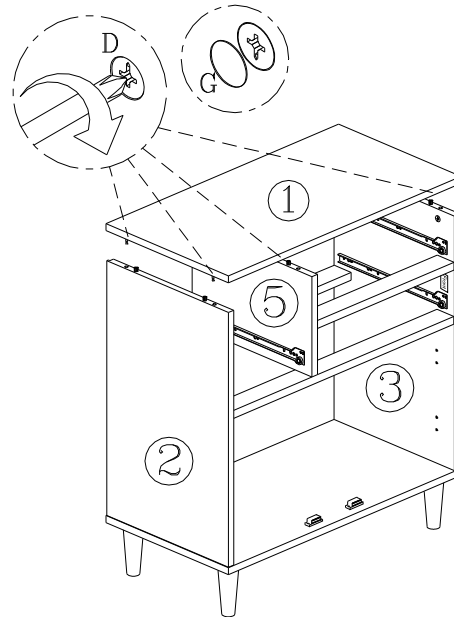


STEP 14

- A) Attach and secure Leg(6) to Bottom Panel(4) clockwise

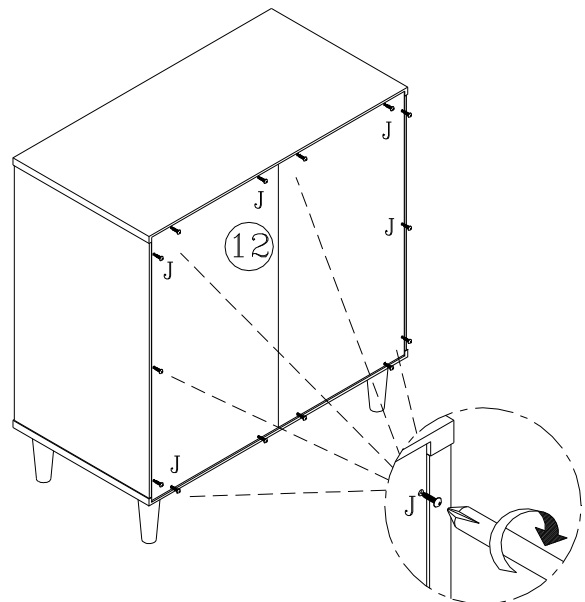
STEP 15

- A) Attach Top Panel(1) to Left&Right Side Panel(2&3) and Partition(5) secure with Cam Lock(D)
- B) Cover Cam Lock(D) with Cam Lock Cover(G)

STEP 16

- A) Attach Back Plywood(12) to assembled unit using Panhead Chipboard Screw(Black)(J) to secure

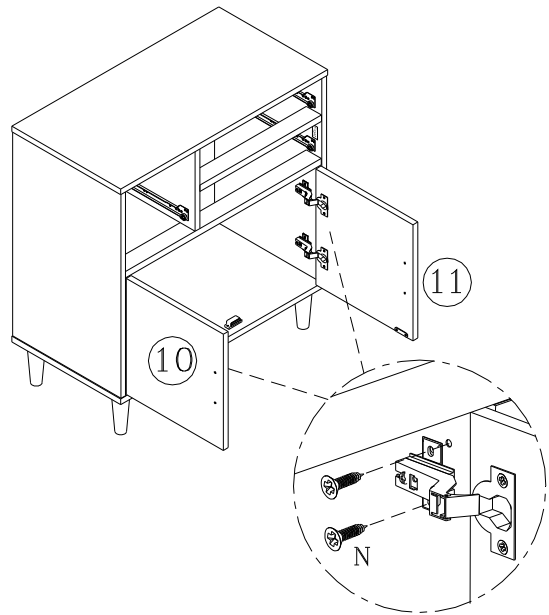
NOTE : Do not over tighten the screw



STEP 17

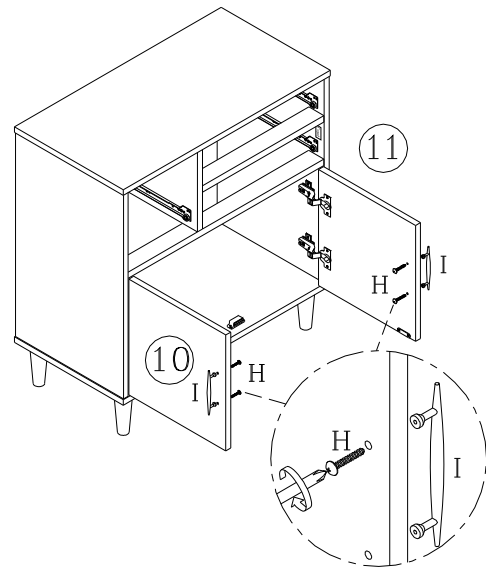
- A) Attach both Door(10&11) to assembled unit secure with Chipboard Screw(N)

NOTE: Do not over tighten the Screw

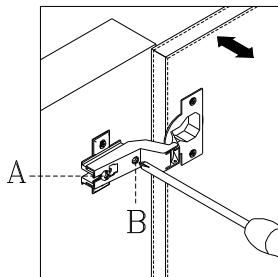
**STEP 18**

- A) Attach Handle(I) to both Door(10&11) using Panhead Screw(H) to secure

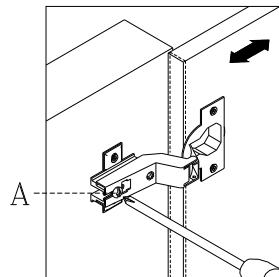
NOTE : Do not over tighten the Screw



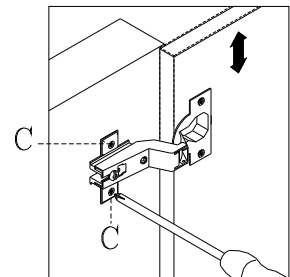
HINGE ADJUSTMENT: If the doors do not appear square or aligned, loosen or tighten the appropriate screws on each case hinge as illustrated.



- 1) Side to side adjustment :
Loosen Screw A, adjust gap with screw B and re-tighten Screw A

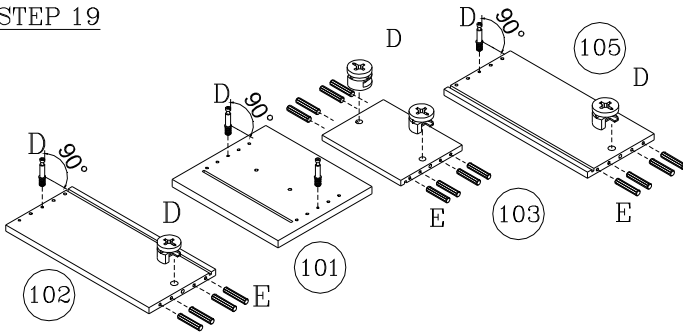


- 2) Depth adjustment:
Loosen Screw A, push hinge arm forwards or backwards, re-tighten screw A.



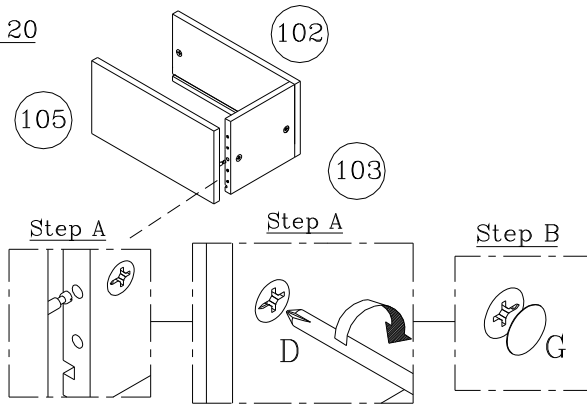
- 3) Height adjustment:
Loosen Screw C, adjust door height and re-tighten screw C.

STEP 19



- A) Insert Wood Dowel(E) to Left&Right Drawer Side(102&105) & Drawer Back(103)
- B) Attach Cam Lock(D) to Left&Right Drawer Side(102&105) & Drawer Back(103)
- C) Attach Cam Bolt(D) to Drawer Front(101) & Left&Right Drawer Side(102&105)

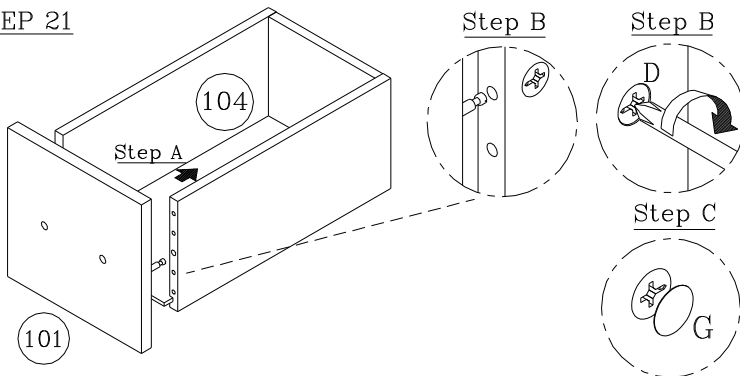
STEP 20



- A) Attach Left&Right Drawer Side(102&105) to Drawer Back(103) secure with Cam Lock(D)
- B) Using Cam Lock Cover(G) to cover Cam Lock(D)

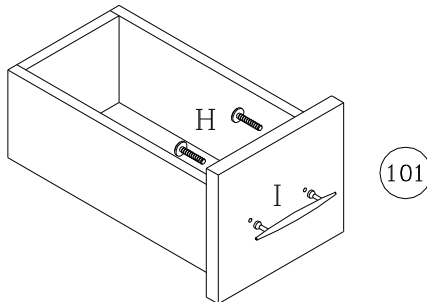
NOTE : Make sure arrows on each Cam Lock point towards nearest edge with holes

STEP 21



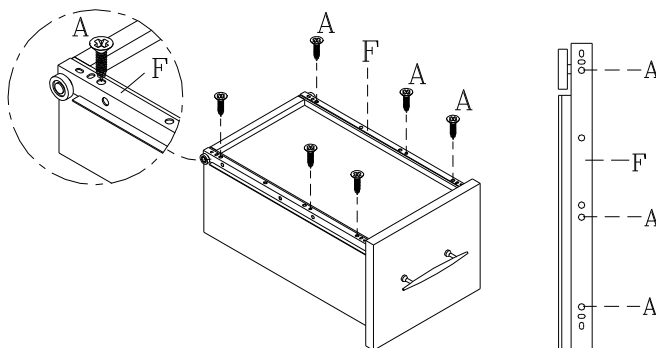
- A) Slot in Drawer Base(104) in corresponding grooves
- B) Attach Drawer Front(101) to Drawer Box secure with Cam Lock(D)
- C) Using Cam Lock Cover(G) to Cover Cam Lock(D)

STEP 22



- A) Attach Handle(I) to Drawer Front(101) secure using Panhead Screw(H)

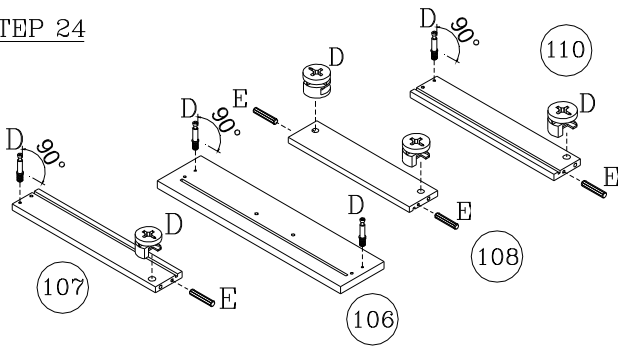
STEP 23



- A) Turn over the Drawer box, Attach Runner(F) to Drawer Side(102&105) using Chipboard Screw(A) to secure

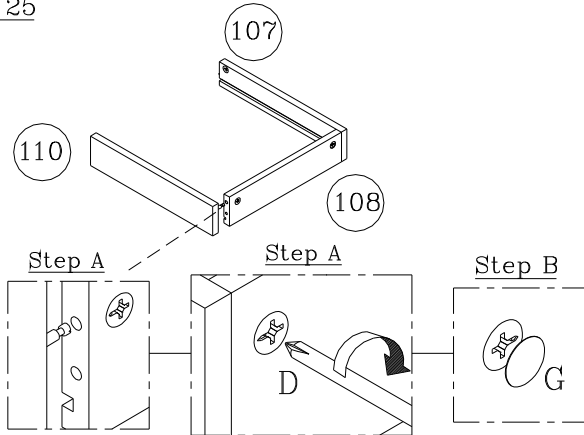
NOTE: Runner roller should be flush and toward the back of the Drawer Box

STEP 24



- A) Insert Wood Dowel(E) to Left&Right Drawer Side(107&110) & Drawer Back(108)
- B) Attach Cam Lock(D) to Left&Right Drawer Side(107&110) & Drawer Back(108)
- C) Attach Cam Bolt(D) to Drawer Front(106) & Left&Right Drawer Side(107&110)

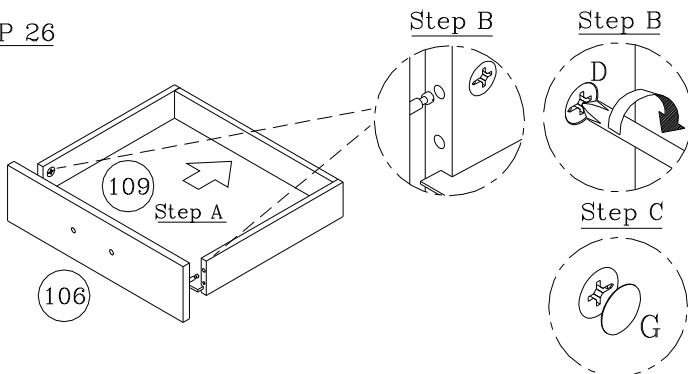
STEP 25



- A) Attach Left&Right Drawer Side(107&110) to Drawer Back(108) secure with Cam Lock(D)
- B) Using Cam Lock Cover(G) to cover Cam Lock(D)

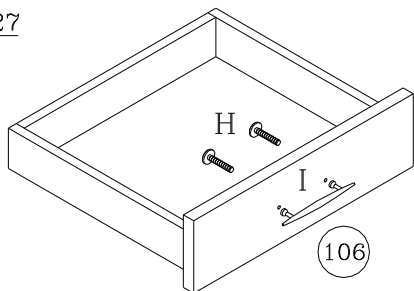
NOTE : Make sure arrows on each Cam Lock point towards nearest edge with holes

STEP 26



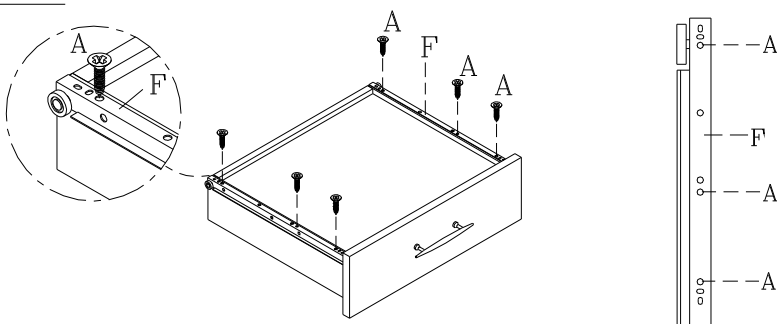
- A) Slot in Drawer Base(109) in corresponding grooves
- B) Attach Drawer Front(106) to Drawer Box secure with Cam Lock(D)
- C) Using Cam Lock Cover(G) to Cover Cam Lock(D)

STEP 27



- A) Attach Handle(I) to Drawer Front(106) secure using Panhead Screw(H)

STEP 28



- A) Turn over the Drawer box, Attach Runner(F) to Drawer Side(107&110) using Chipboard Screw(A) to secure

NOTE: Runner roller should be flush and toward the back of the Drawer Box