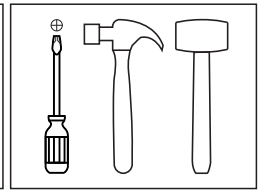
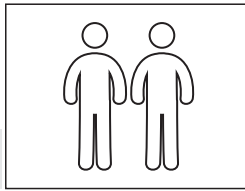


3 DOOR SIDEBOARD



Thank you for choosing this furniture.

BEFORE YOU START ASSEMBLY please store the carton for 48 hours or more so the contents can acclimatise.

PLEASE RETAIN ALL PACKING UNTIL YOU HAVE COMPLETED ASSEMBLY.

Information about your furniture.

This furniture range has been carefully crafted

Each piece is manufactured to the highest standards using specialised computer controlled machinery to ensure accuracy.

Caring for your furniture.

Extreme temperature can cause slight movements in the board material so please avoid placing your furniture close to radiators or other direct sources of heat.

Please avoid exposing your furniture to continued bright sunlight as this can affect the colour.

Any fluid spills should be removed as quickly as possible.

Always lift your furniture when moving as dragging may cause damage to your furniture or flooring.

Always use place mats, coasters or tablecloths to help protect against scratches and accidentally dropped items. Always use heat resistant mats when placing hot or cold items on to surfaces.

Do not sit or stand on your furniture.

After care.

Wipe all surfaces with a dry cloth and the occasional use of a normal household furniture polish and a household glass cleaner on glass surfaces.

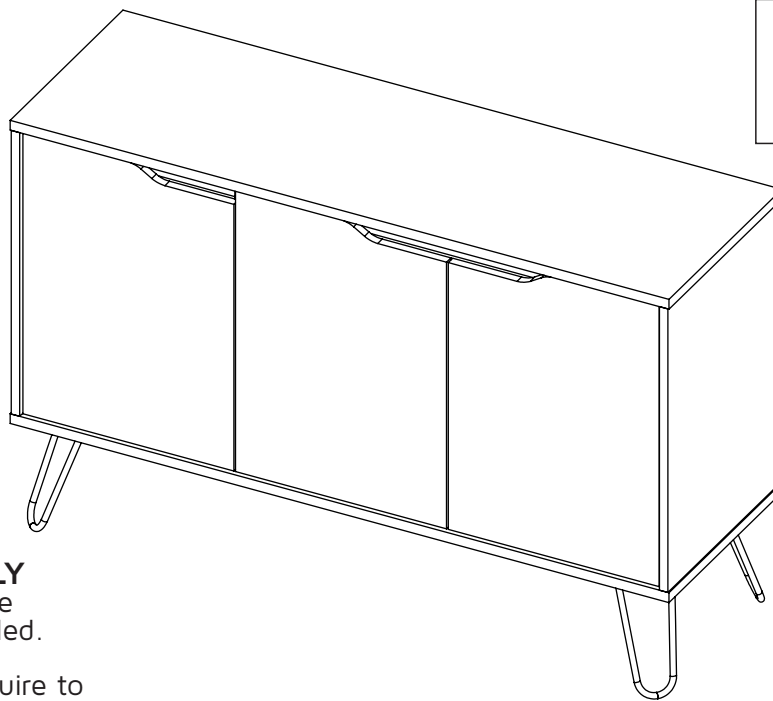
Please do not use detergents or chemicals on your furniture.

After assembly remove all visible component identification stickers, these should remove easily however any remaining adhesive residue can be easily removed with a label adhesive removal liquid available from most DIY or hardware stores.

Specialist glass care.

Glass can be marked with continual use by contact with rough surfaced objects or strong coloured fluids. In the unlikely event that the glass is damaged it must be replaced without delay with toughened glass made to specification

Please consult a specialist glass retailer for this.



Height: 756 mm

Width: 1171 mm

Depth: 380 mm

BEFORE YOU START ASSEMBLY

Please check that you have all the correct parts and fittings as detailed.

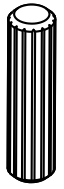
In the unlikely event that you require to order spare parts or fittings please refer to your delivery note for details of how to order using our Parts website.

We recommend that you build your furniture on top of a soft clean cover to ensure the unit does not get marked or damaged during assembly.

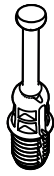
BATCH NUMBER

PLEASE RETAIN THIS INSTRUCTION FOR FUTURE REFERENCE.

ASSEMBLY HARDWARE



x34
Dowel



x22
Minifix Bolt



x22
Minifix Cams



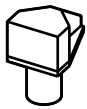
(Colour 1)
x10
Cover Caps



(Colour 2)
x12
Cover Caps



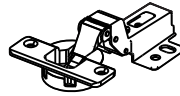
x16
Flat Head Screw



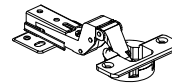
x3
Shelf Support



x4
Steel Leg



x4
End Panel
Hinge
(EPH)
(Includes screws)

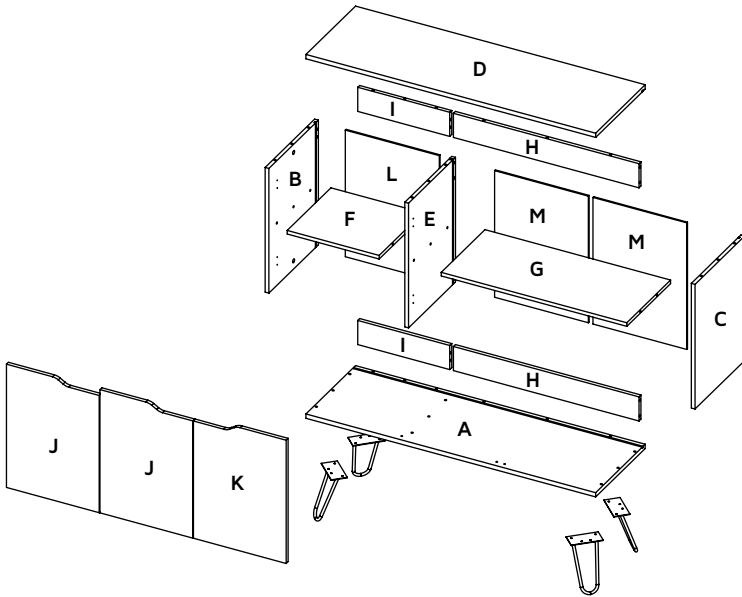


x2
Center Panel
Hinge
(CPH)
(Includes screws)



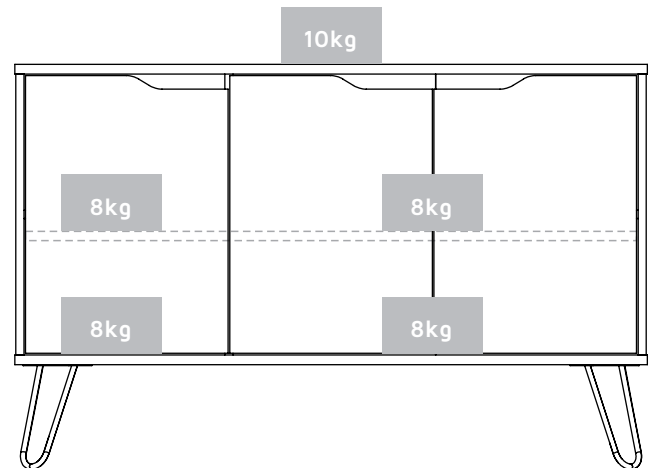
x1
Roll Over Kit
(Includes screws)

ASSEMBLY PARTS



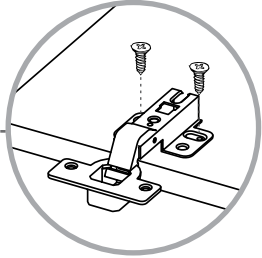
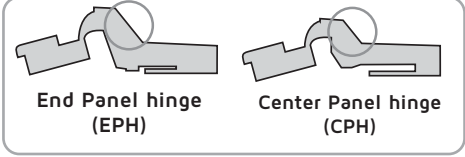
A - x1	E - x1	I - x2	M - x2
B - x1	F - x1	J - x2	
C - x1	G - x1	K - x1	
D - x1	H - x2	L - x1	

MAX SUGGESTED LOADS

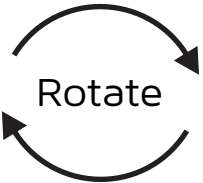
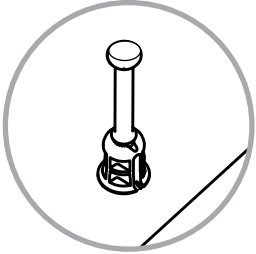
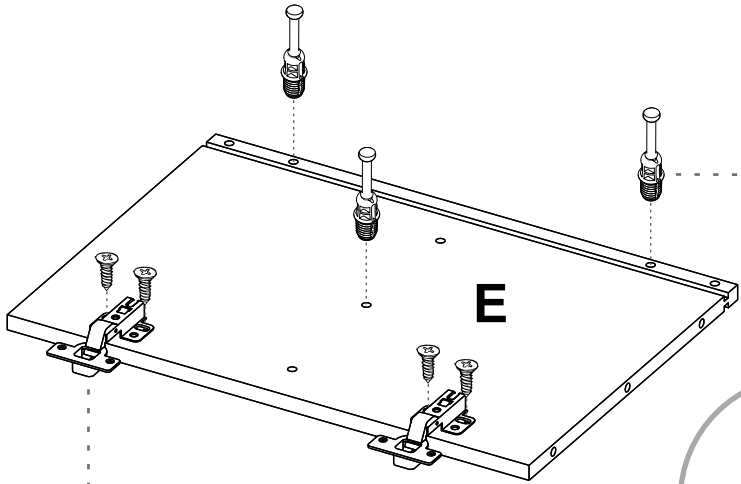


1

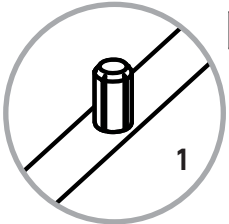
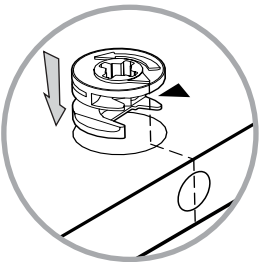
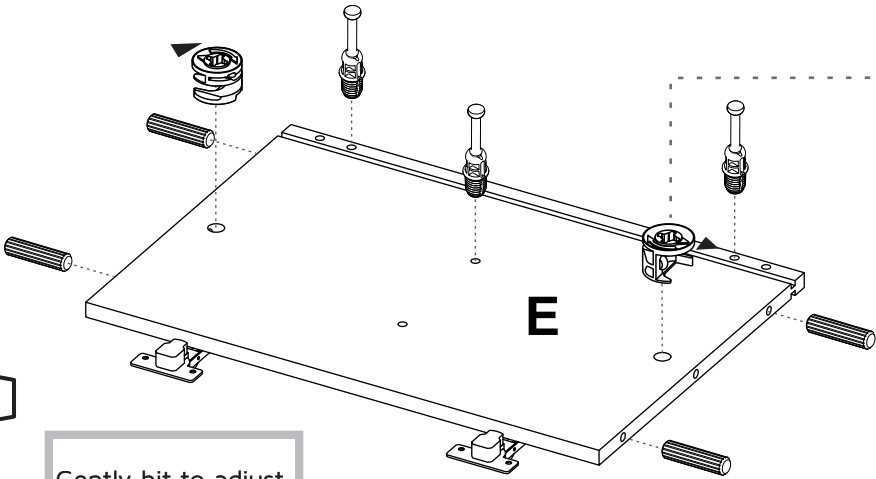
HINGES DIFFERENCE IN HEIGHT



Center Panel Hinge (CPH)

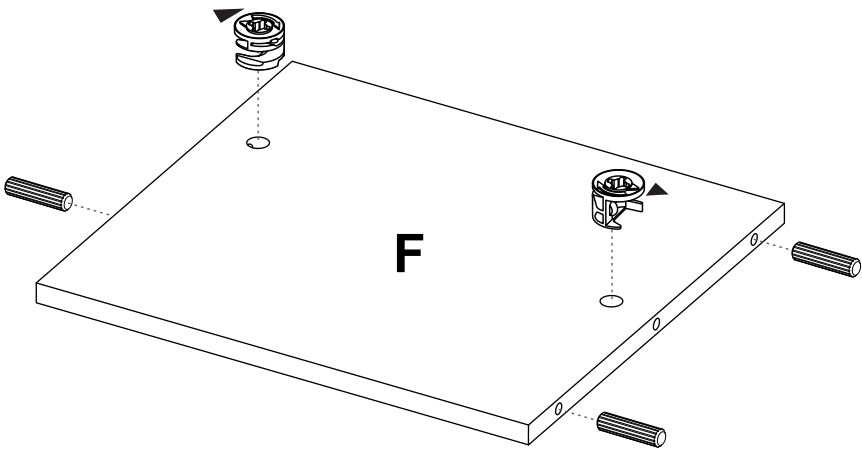


2

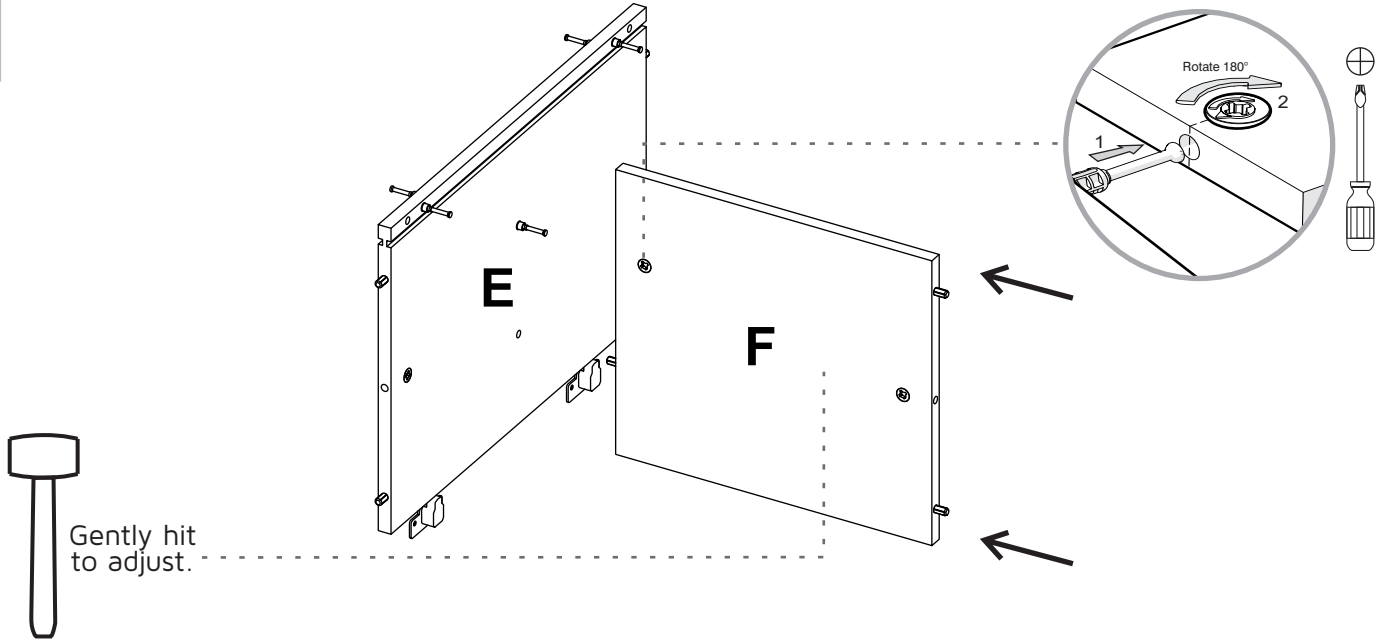


Gently hit to adjust. Repeat this in the following steps.

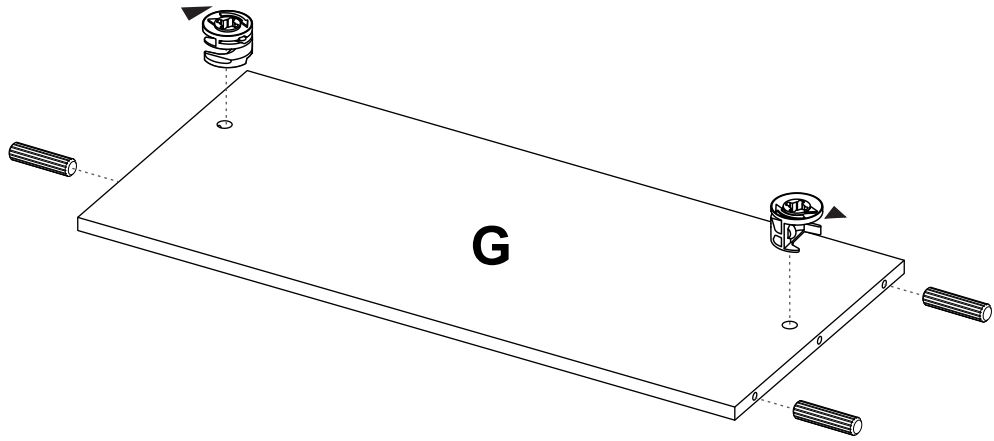
3



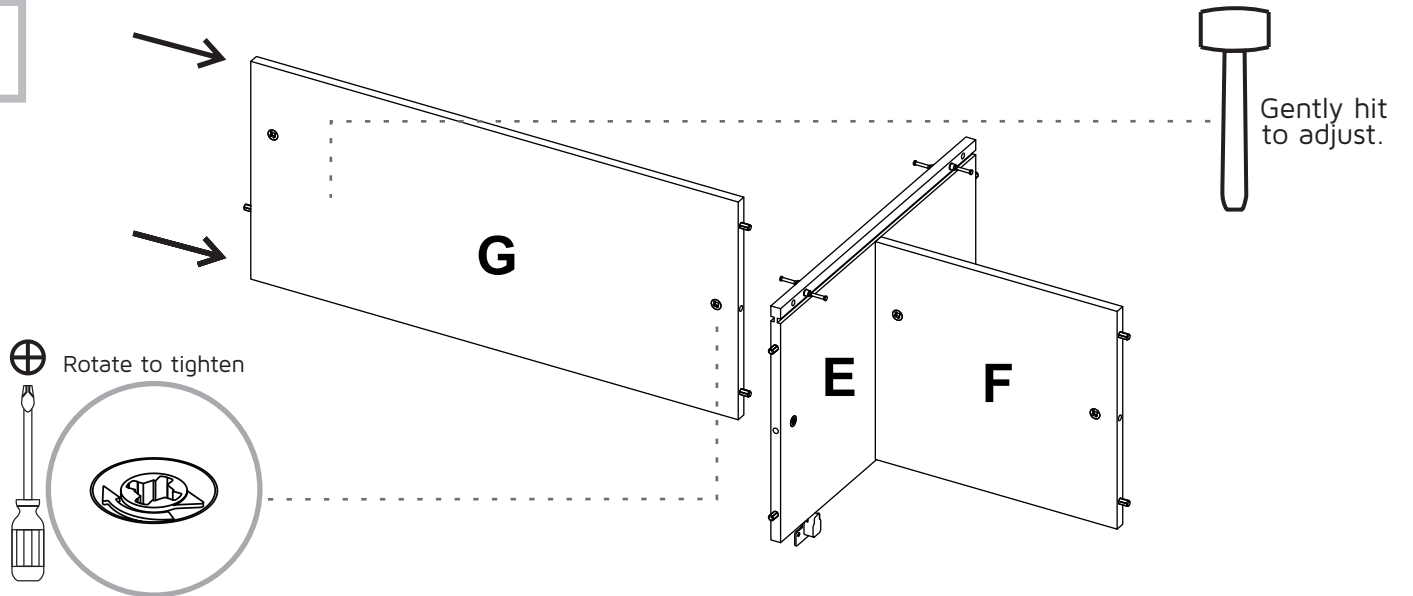
4



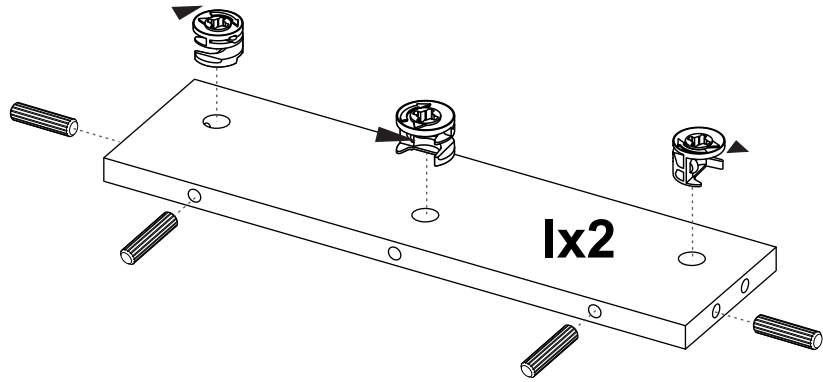
5



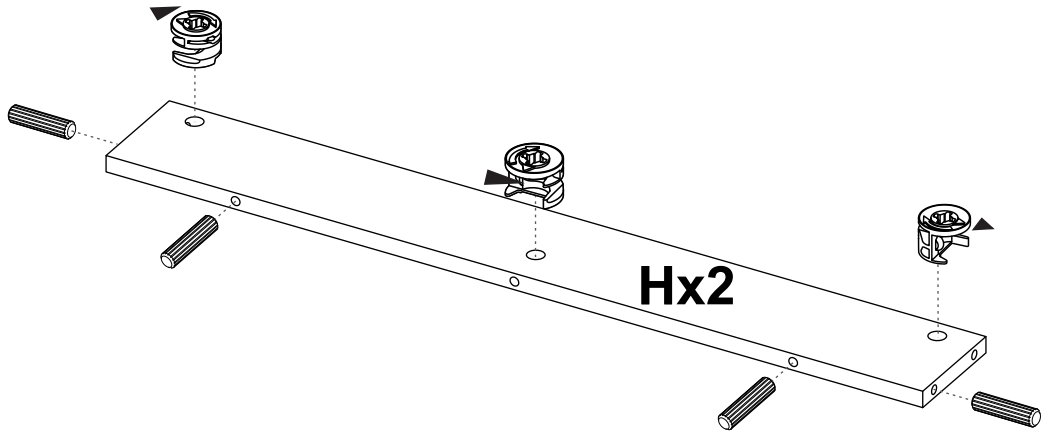
6



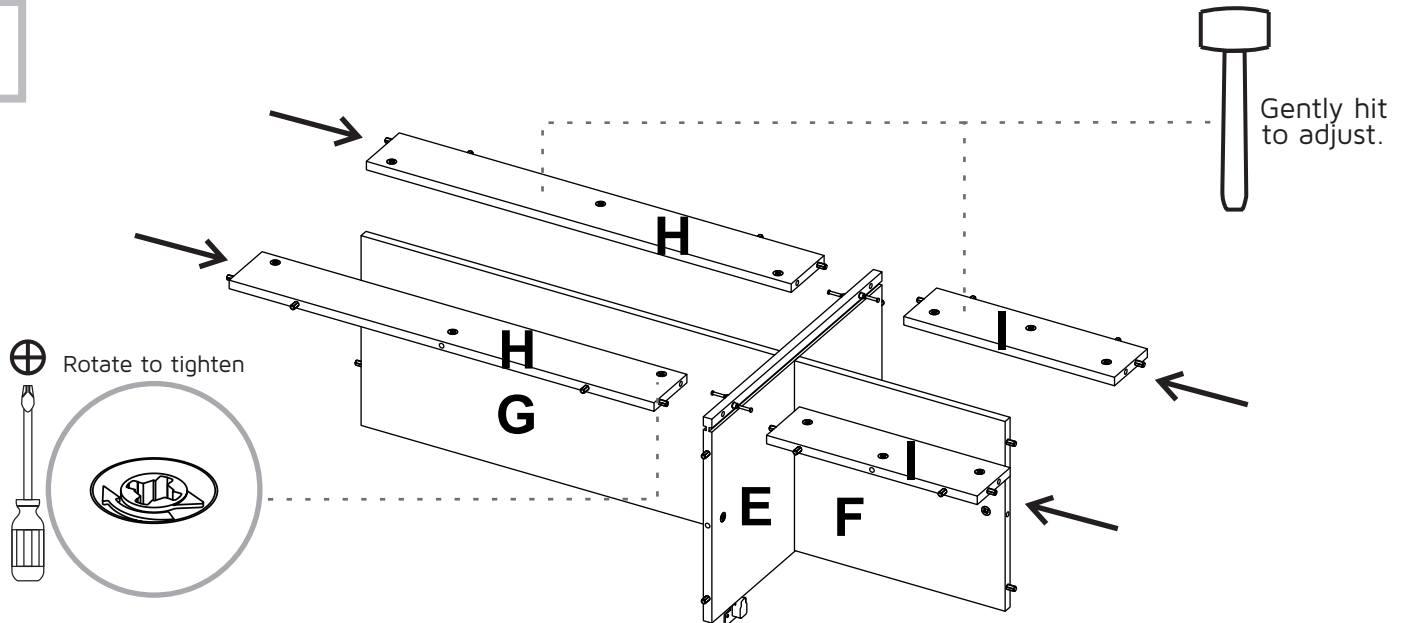
7



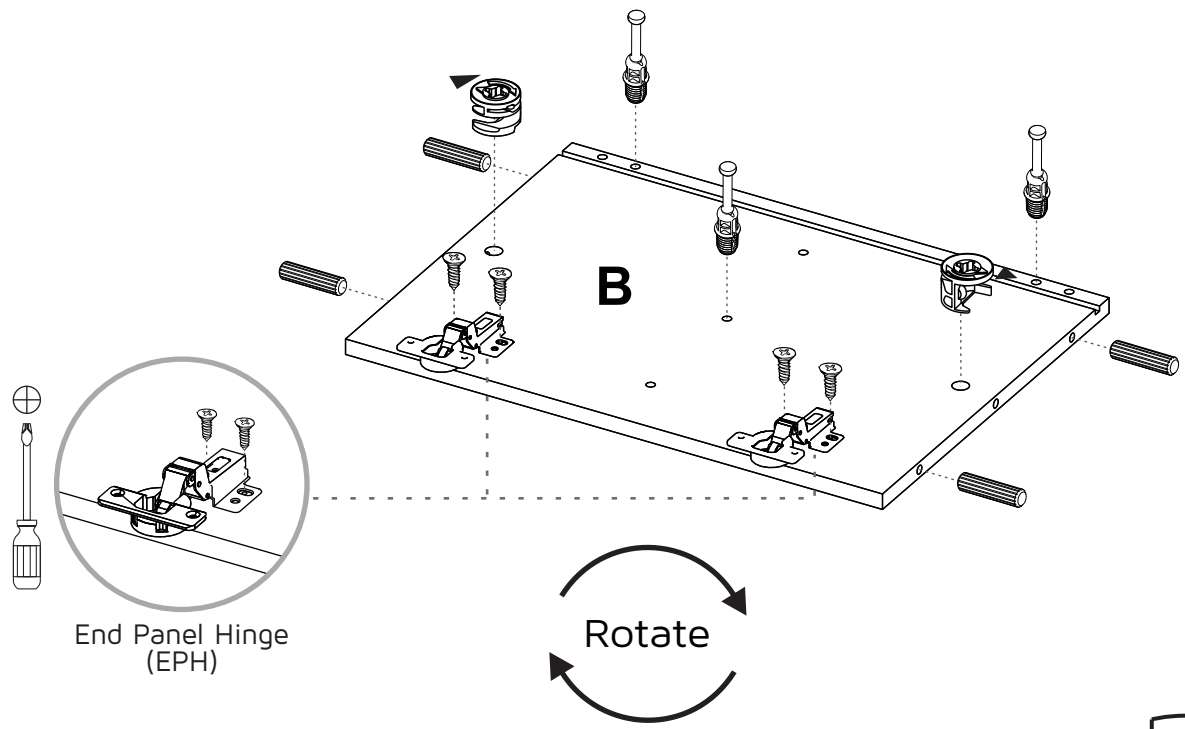
8



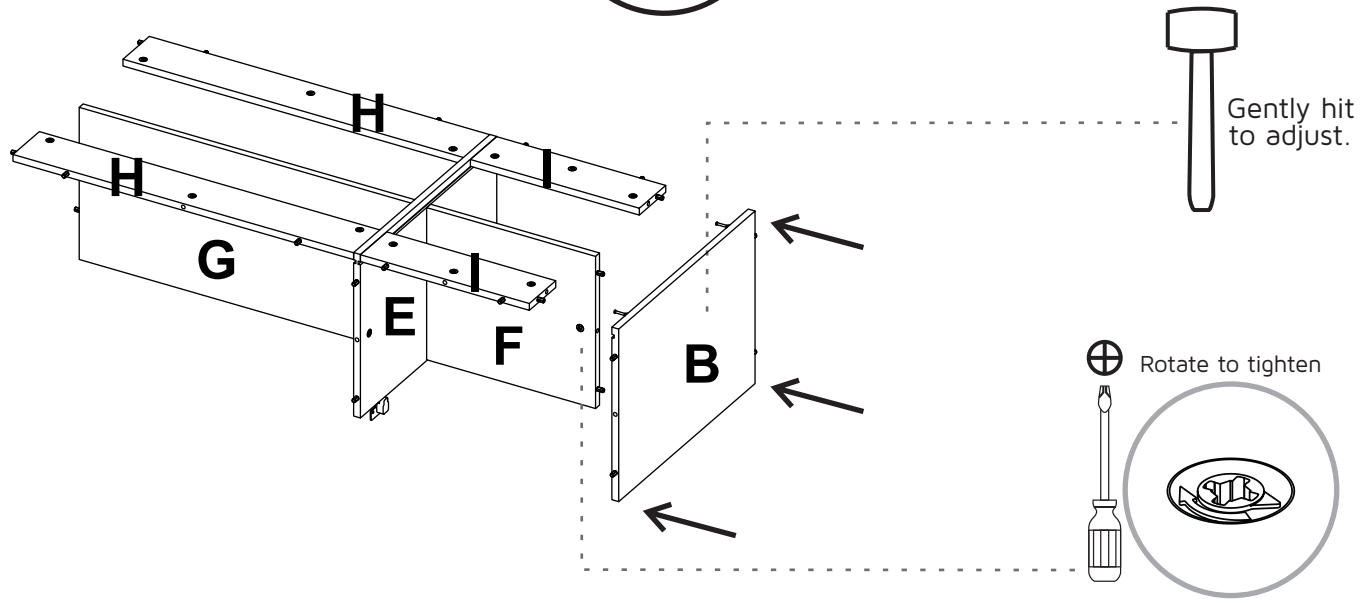
9



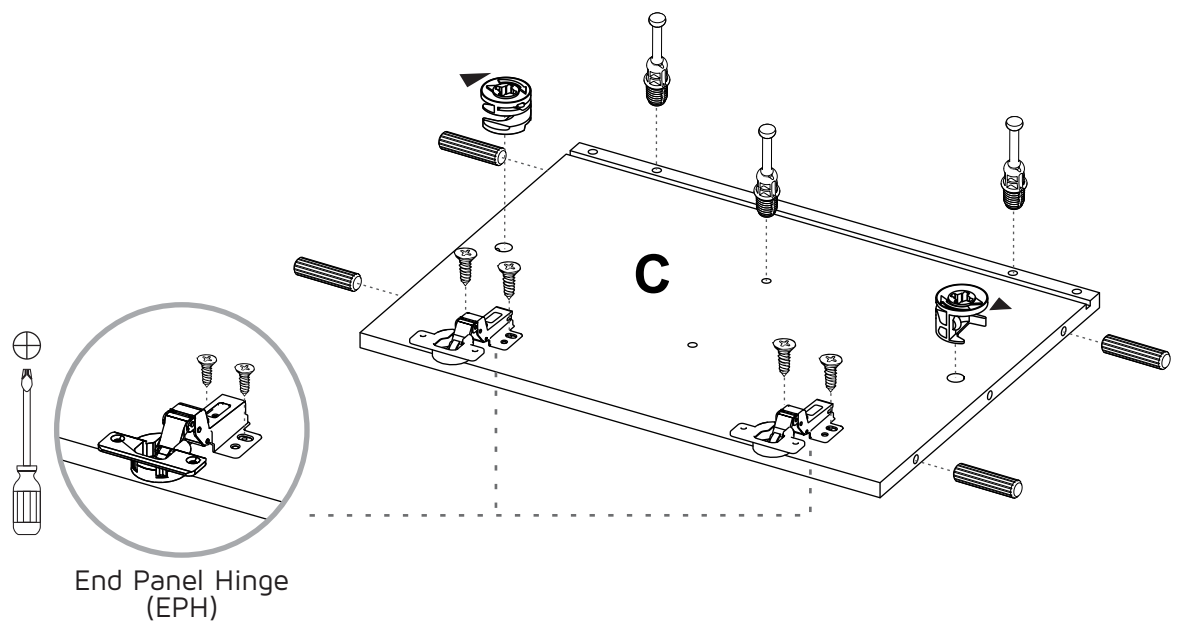
10



11

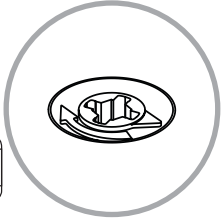


12

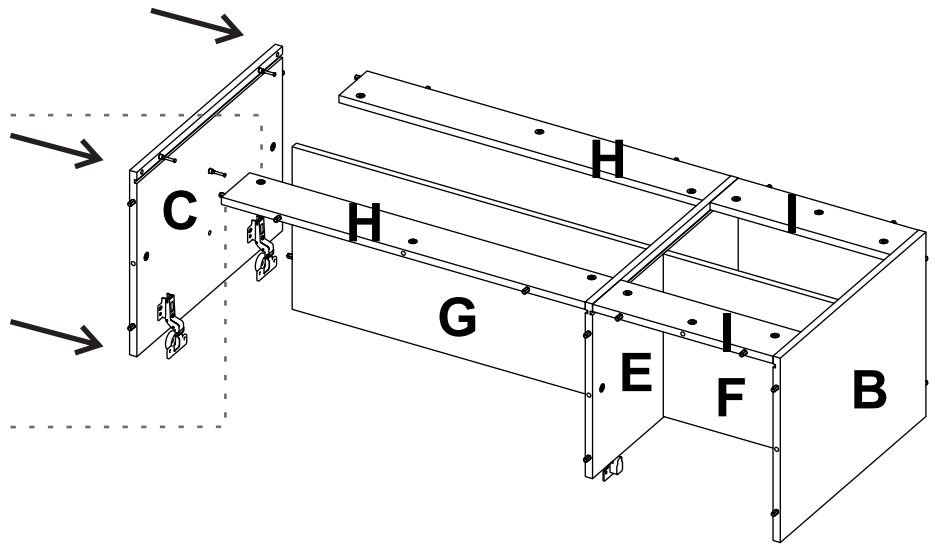


13

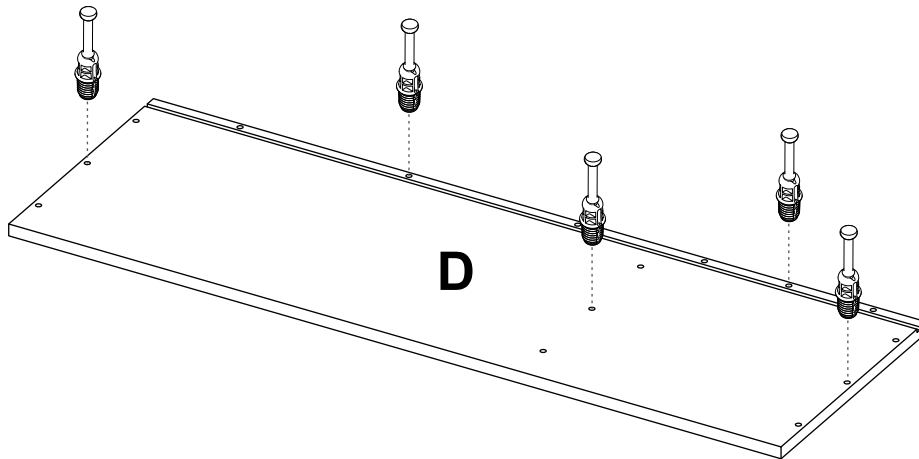
⊕ Rotate to tighten



Gently hit to adjust.

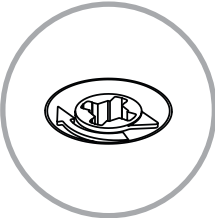


14

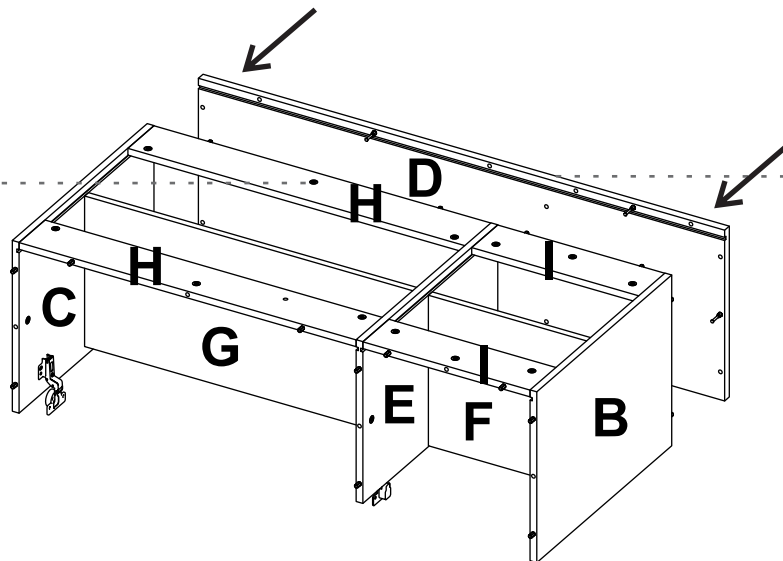


15

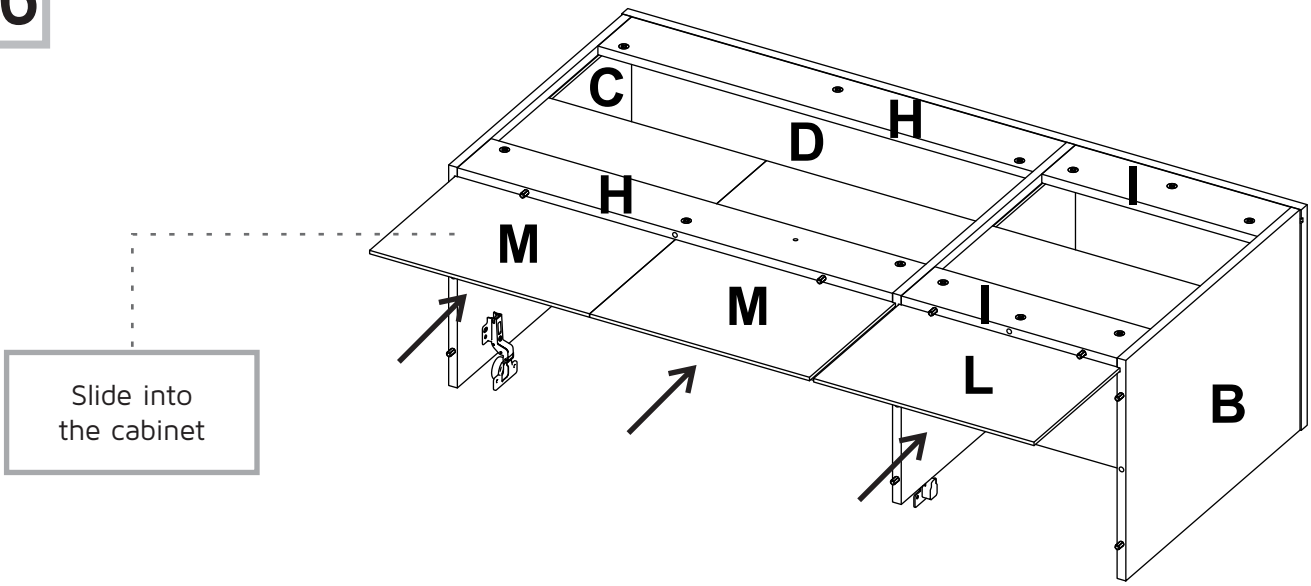
⊕ Rotate to tighten



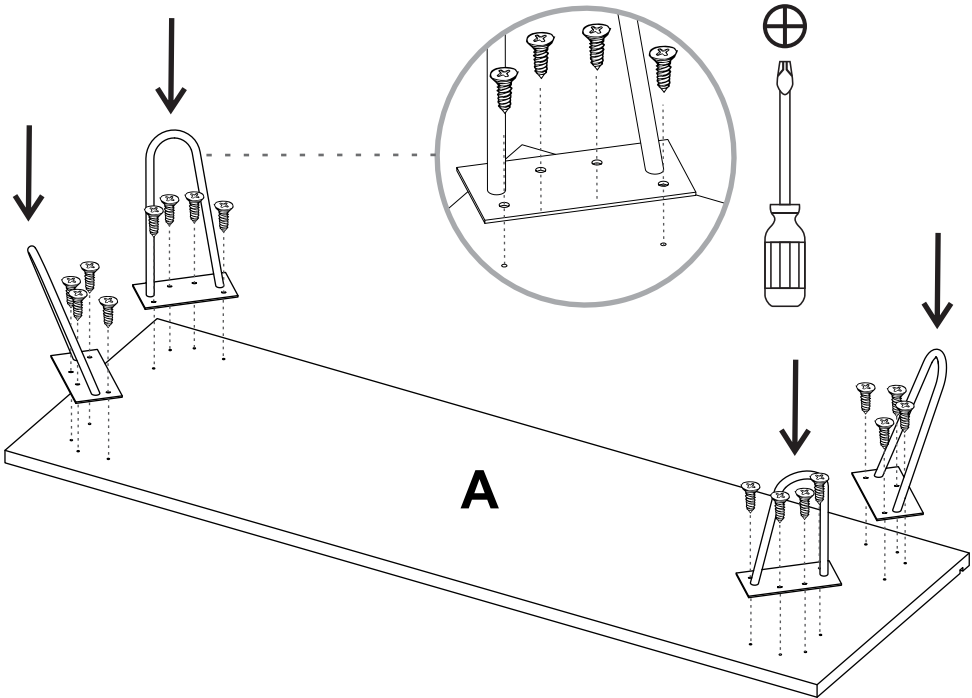
Gently hit to adjust.



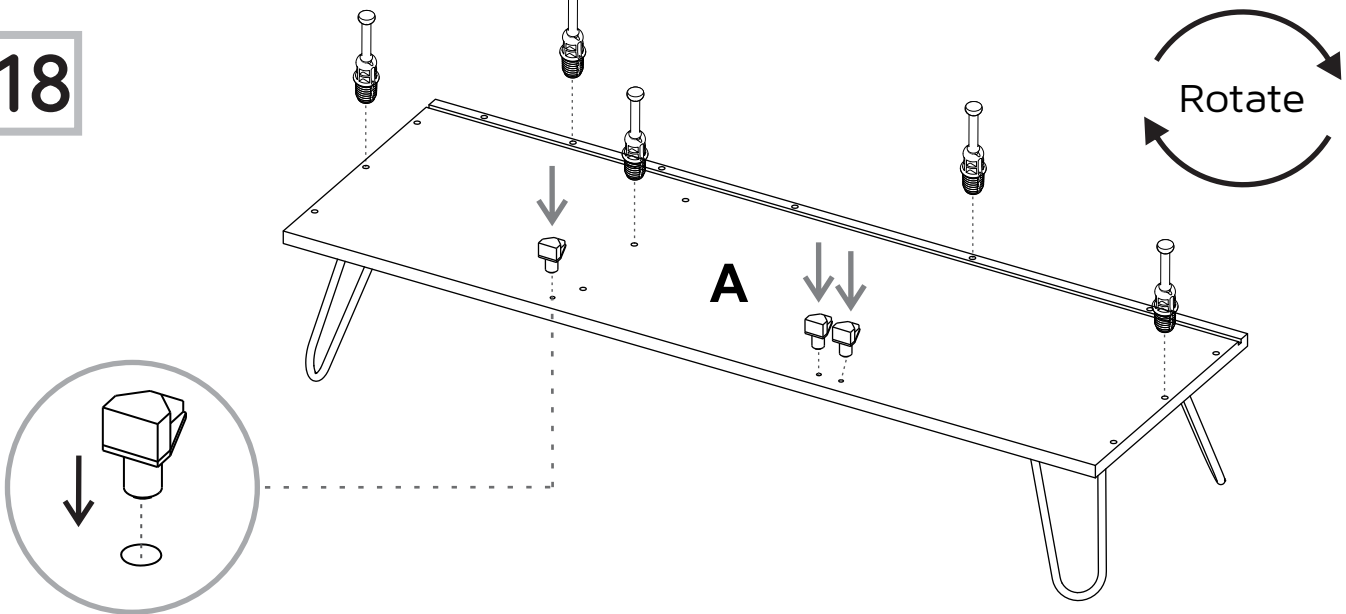
16

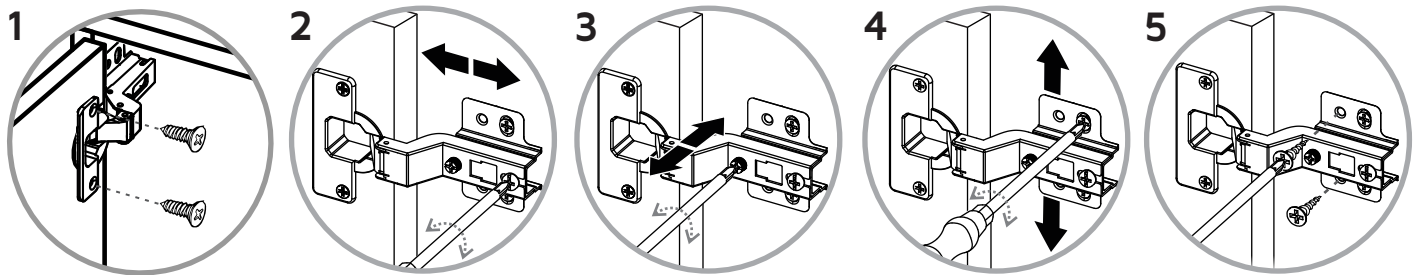
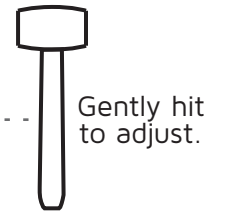
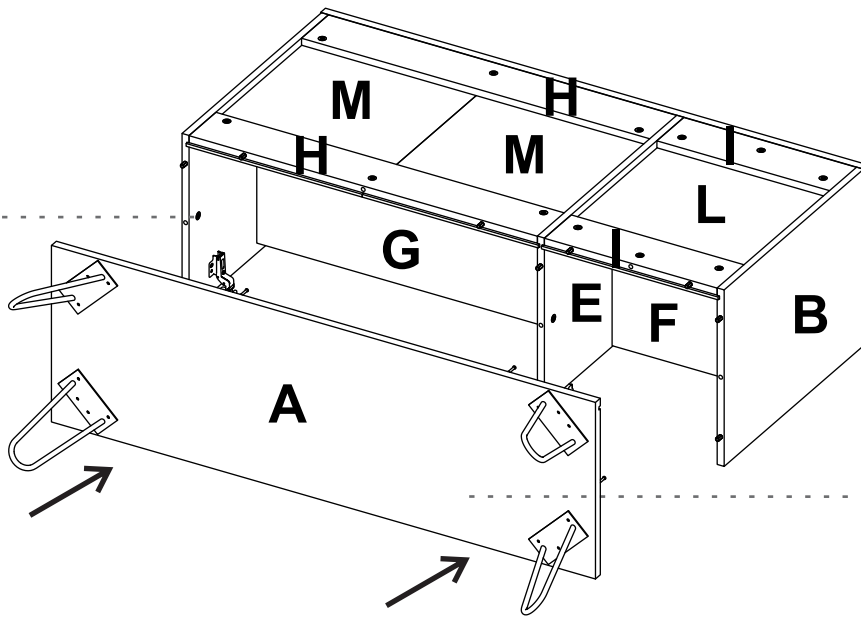
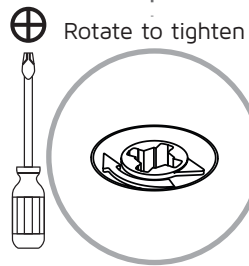


17



18

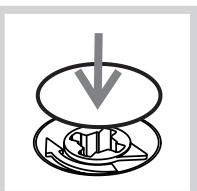
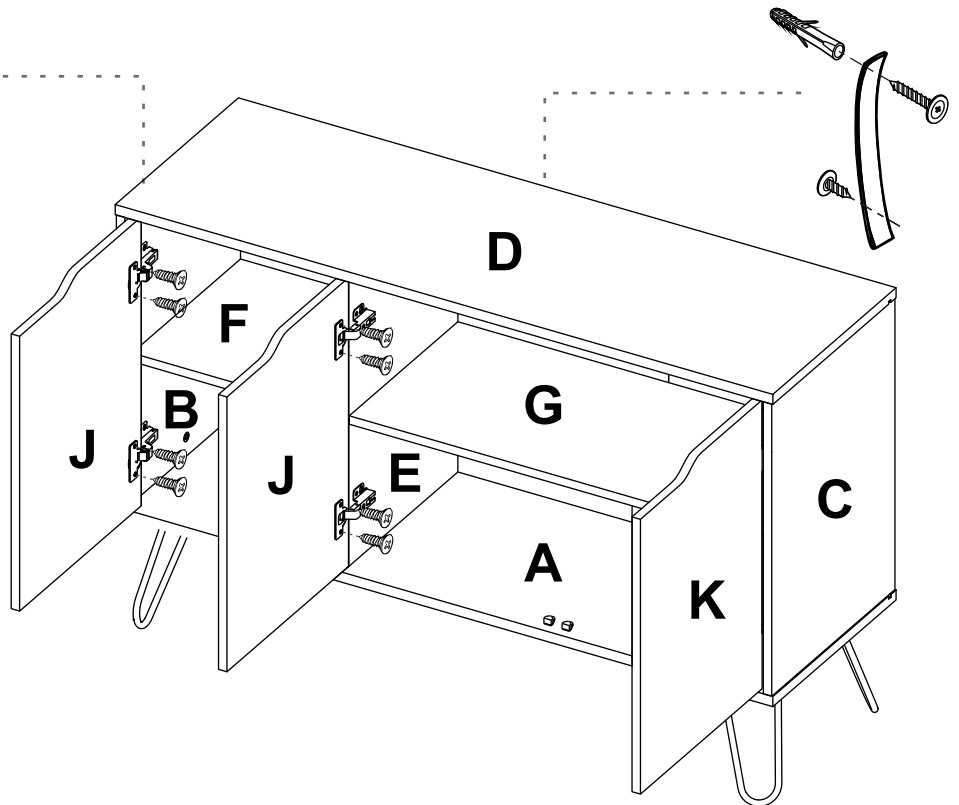




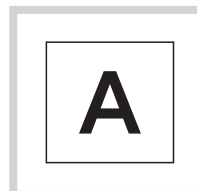
Hinge adjustment Depth adjustment Side adjustment Height adjustment Secure Hinge

-WARNING! TIPPING HAZARD - Unanchored furniture can tip over
-WARNING: CHECK FOR HIDDEN PIPES AND CABLES BEFORE DRILLING.
-IMPORTANT: IF YOUR WALLS ARE NOT SOLID LIKE BRICK OR STONE, YOU WILL REQUIRE SPECIALIST FITTINGS (NOT SUPPLIED)

- Pre-drill small pilot hole on the back edge of the furniture top using a 2mm drill bit. Attach the other end of the fixing strip to the back edge of the furniture top using the 15mm screw + washer and securely tighten.
- Place fixing strip against the wall and mark position for drilling hole.
- Drill hole in your wall to a depth of 30mm using a 6mm drill bit. If the surface of your wall is soft and crumbly, we would advise you to use a 5mm drill bit for a tighter fit.
- Insert plug into hole with end flush to the wall surface.
- Attach fixing strip to the wall using the 25mm screw + washer and securely tighten.



After you finish the adjustment of the cams, cover them with the cover caps.



After you finish assembling the cabinet, take off the adhesive letters.