



Undertone® Preserve®

Undermount medium single-bowl kitchen sink
K-3325-HCF

Features

- 27" (686 mm) minimum base cabinet width.
- Single bowl.
- 9-1/2" depth provides generous workspace.
- Innovative Preserve™ sink resists scratching and withstands everyday wear and tear.
- Rear drain increases workspace in the sink and storage space underneath.
- Includes bottom sink rack.
- Includes installation hardware.

Material

- Premium 18-gauge stainless steel.

Installation

- Undermount.

Recommended Products/Accessories

- K-3192 Sink rack for Iron/Tones® kitchen sinks
- K-6391 Sink rack for Undertone® sinks
- K-8801 Sink drain and strainer with tailpiece
- K-8799 Sink drain and strainer basket
- K-23726 Drain treatment
- K-23729 Stainless steel cleaner

Optional Products/Accessories

- K-11352 Disposal Flange with Stopper

Included Components

Product consists of:
6391

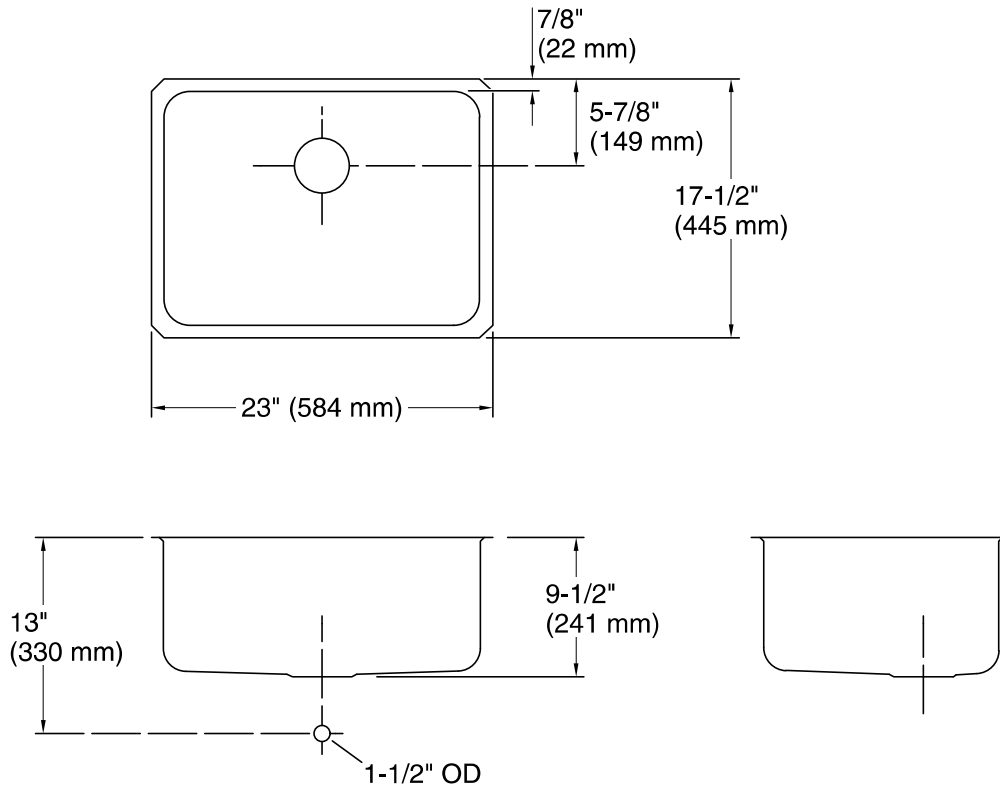


Codes/Standards

ASME A112.19.3/CSA B45.4

STERLING® Warranty - Stainless Steel Sinks

See website for detailed warranty information.



Technical Information

All product dimensions are nominal.

Bowl configuration: Single

Installation: Under-mount

Min. base cabinet width: 27" (686 mm)

Bowl area (Center): Length: 21-1/4" (540 mm)
Width: 15-3/4" (400 mm)
Bowl depth: 9-1/2" (241 mm)
Water depth: 9-1/2" (241 mm)

Drain hole: 3-3/4" (94 mm)

Template: 113193, required, included

Notes

Install this product according to the installation instructions.