

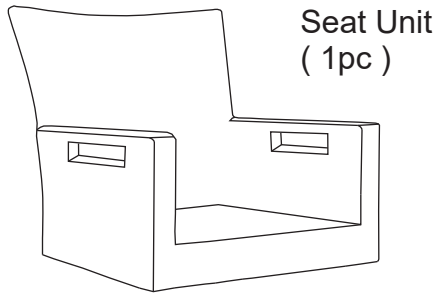


Arm Chair

Assembly Instructions

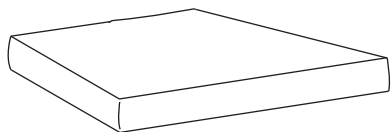
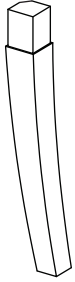
Please assemble on soft surface after removing contents as not to scratch or damage parts.
Enjoy!

Item	Description	Q'ty
A	 Bolt	08
B	 Allen Key	02



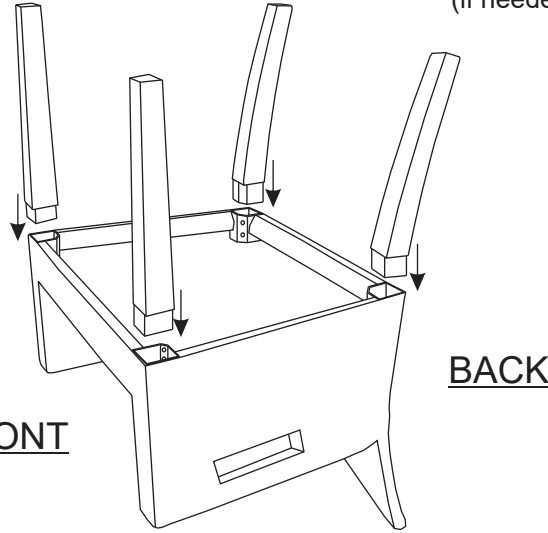
Front legs
(2pcs)

Back legs
(2pcs)

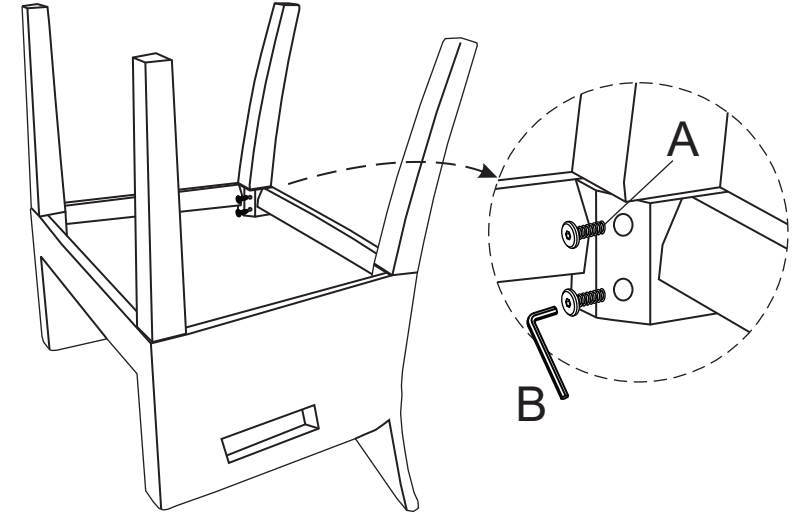


Seat Cushion
(1pc)

STEP 1 •Put the front legs and back legs into given holes.
•Tap gently with rubber mallet or small hammer.
(if needed)



STEP 2 •Fasten (8) "A" Bolts.



STEP 3 •Enjoy!

