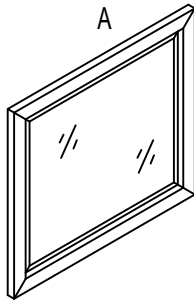


# MIRROR ASSEMBLY INSTRUCTIONS

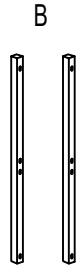
## PARTS AND PACKING DETAIL

### BOX #1

- A. MIRROR 1 PC
- B. MIRROR SUPPORTS 2 PCS



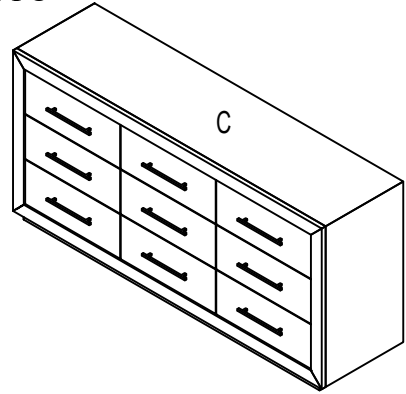
CONTAINS  
HARDWARE POUCH



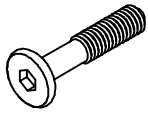
### BOX #2

( SOLD SEPARATELY )

- C. DRESSER 1 PC



1.ALLEN BOLT (M6X50) 8 PCS



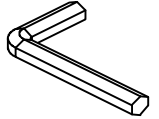
2.SPRING WASHER (M6) 8 PCS



3.FLAT WASHER (M6) 8 PCS



4.ALLEN KEY 1 PC

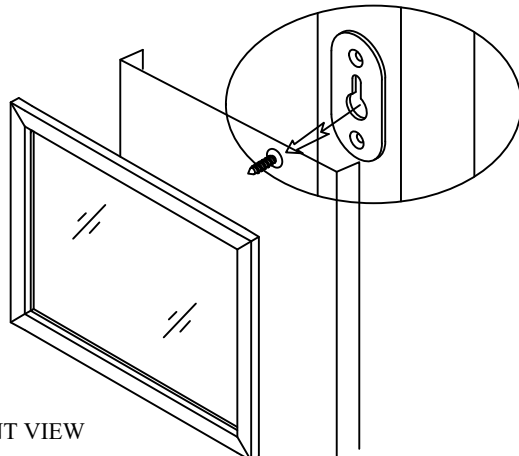


**WARNING: FOR YOUR SAFETY AND CONVENIENCE, ASSEMBLY BY TWO PEOPLE IS RECOMMENDED**

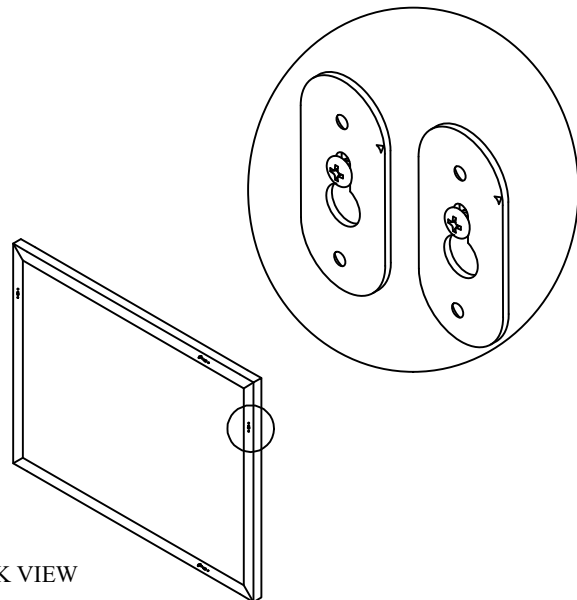
### OPTION 1: ATTACHING MIRROR TO WALL

INSTALL MOUNTING HARDWARE (NOT PROVIDED) INTO THE WALL WHERE YOU WOULD LIKE TO HANG THE MIRROR. MAKE SURE THE DISTANCE BETWEEN THE MOUNTING HARDWARE ON THE WALL MATCHES THE DISTANCE BETWEEN THE MOUNTING HARDWARE ON THE MIRROR. TEST THE CONNECTION OF THE MOUNTING HARDWARE TO THE MIRROR BEFORE USING.

**NOTE!** WE RECOMMEND INSTALLING THE MOUNTING HARDWARE INTO WALL STUDS OR A BOARD THAT IS SECURED TO THE STUDS. CONSULT A PROFESSIONAL INSTALLER BEFORE MOUNTING TO DRYWALL.



FRONT VIEW

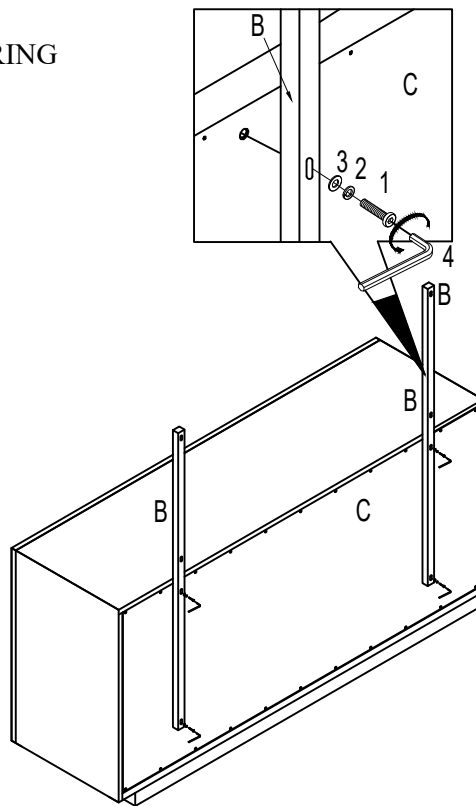


BACK VIEW

# MIRROR ASSEMBLY INSTRUCTIONS

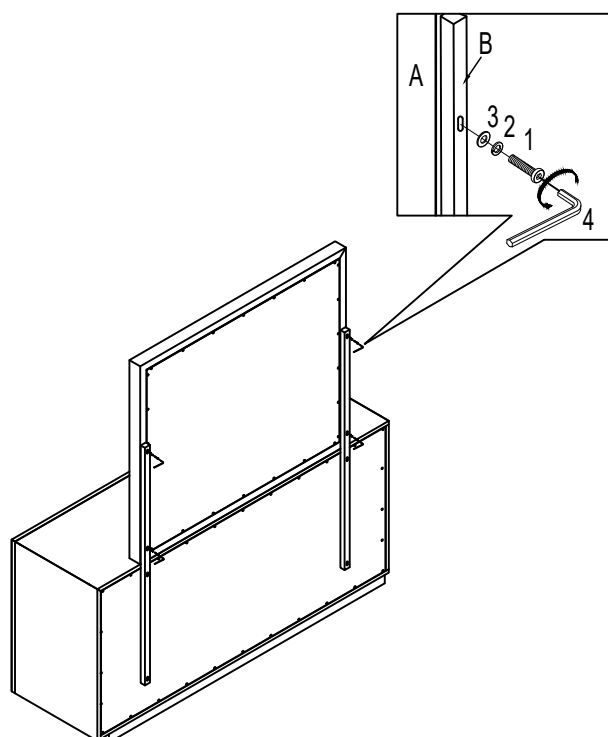
## OPTION 2: ATTACHING MIRROR TO DRESSER

**STEP 1: ATTACH MIRROR SUPPORTS (B) TO DRESSER (C) WITH FOUR ALLEN BOLTS (1), SPRING WASHERS (2) AND FLAT WASHERS (3). ONLY FINGER TIGHTEN THE BOLTS.**



## STEP 2:

ATTACH MIRROR (A) TO INSTALLED SUPPORTS WITH FOUR ALLEN BOLTS (1), SPRING WASHERS (2), AND FLAT WASHERS (3). TIGHTEN ALL BOLTS COMPLETELY, INCLUDING THE BOLTS FROM STEP 1, USING THE ALLEN KEY (4).



## MIRROR ASSEMBLED

