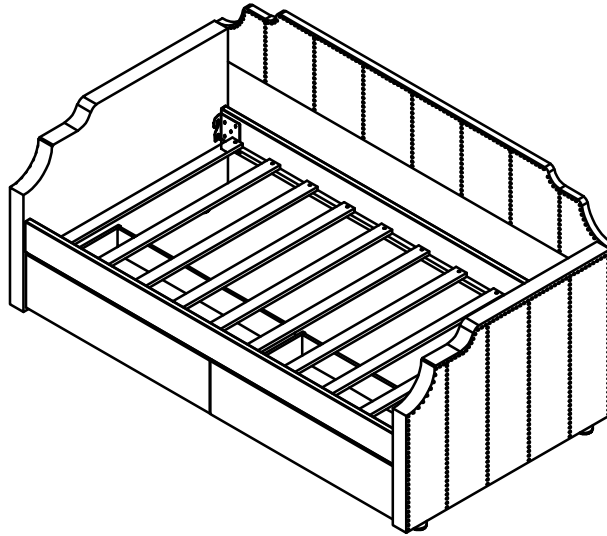


ASSEMBLY INSTRUCTION

SKU CODE: (WF283065-WF283066)

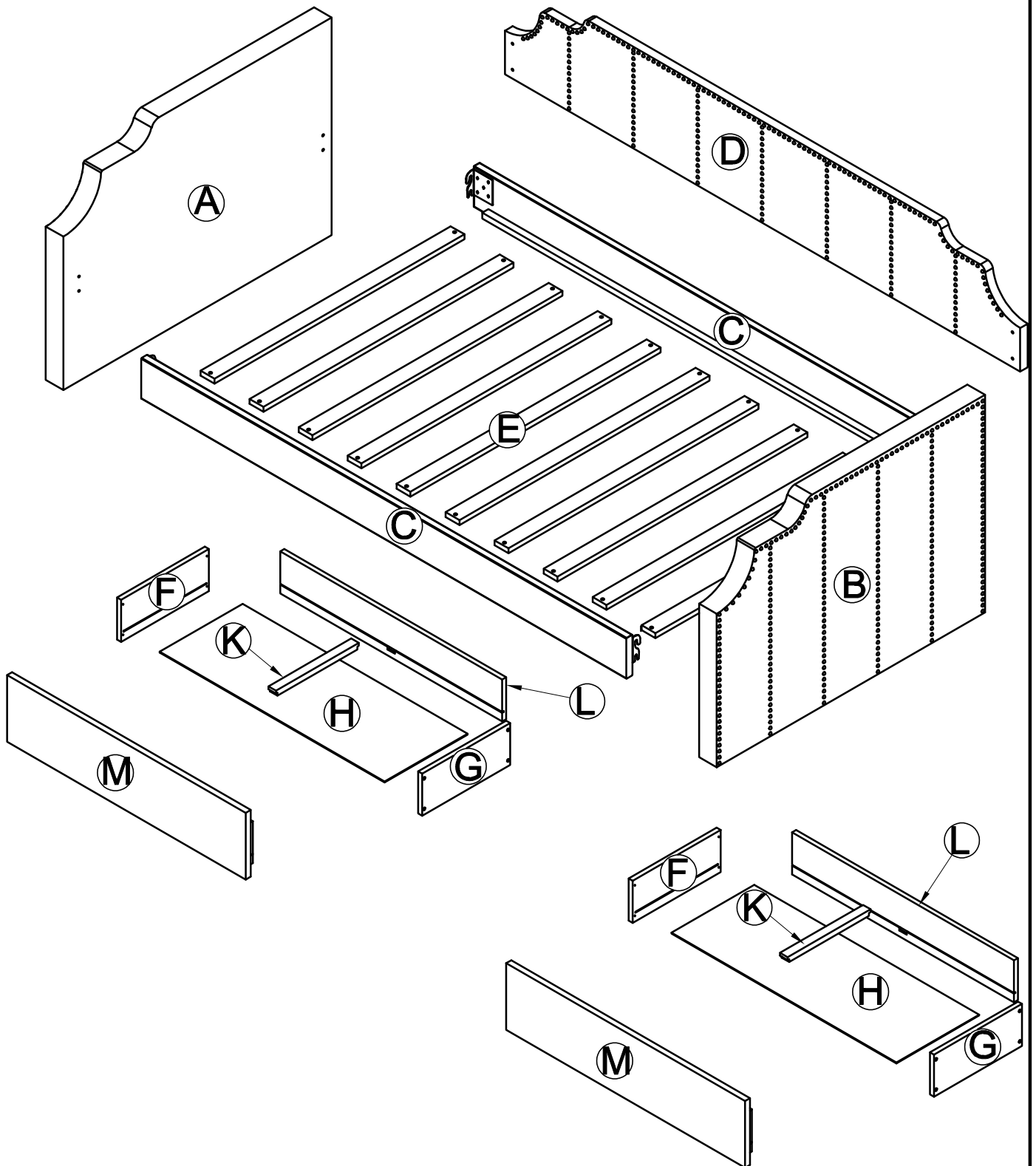
This set is included 2 boxes if don't receive full 2 boxes please contact our customer service team



! SAFETY WARNINGS !

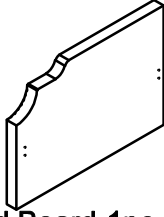
1. This bed is designed for use Twin mattress 74 to 75" Long and 38 1/2" Wide and total thickness is not exceeding 4" for lower bunk
2. The dimensions for length and width must be stated numerically and may additionally be stated in conventional terms, for example, twin size, twin extra long, and the like.
3. The maximum thickness of the mattress shall be stated
4. Replacement parts, including additional guardrails, may be obtained from any of our (COMPTREE. INC) dealers
5. Follow the information on the warnings appearing on the upper bunk bed end structure and on the carton. Do not remove warning label from bed.
6. Always use the recommended size mattresses or mattress supports, or both, to help prevent the likelihood of entrapment or falls.
7. Surface of the mattress must be at least 5 in. (127 mm) below the upper edge of guardrails.
8. Do not allow children under 6 years of age to use the upper bunk.
9. Periodically check and ensure that the guardrail, ladder, and other components are in their proper position, free from damage, and that all connectors are tight.
10. Do not allow horseplay on or under the bed and prohibit jumping on the bed
11. Always use the ladder for entering and leaving the upper bunk.
12. Do not use substitute parts. Contact the manufacturer or dealer for replacement parts.
13. Use of a night light may provided added safety precaution for a child using the upper bunk.
14. Always use guardrails on both long sides of the upper bunk. If the bunk bed will be placed next to the wall, the guardrail that runs the full length of the bed should be placed against the wall to prevent entrapment between the bed and wall.
15. The use of water or sleep flotation mattresses is prohibited.
16. **STRANGULATION HAZARD** – Never attach or hang items to any part of the bunk bed that are not designed for use with the bed; for example, but not limited to, hook, belts and jump ropes.
17. Keep these instructions for future reference

ASSEMBLY INSTRUCTION



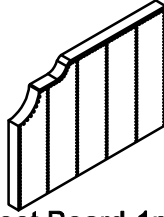
Part List(WF283065)

A



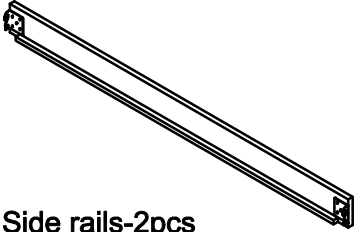
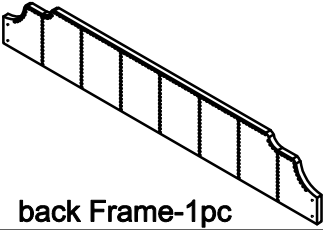
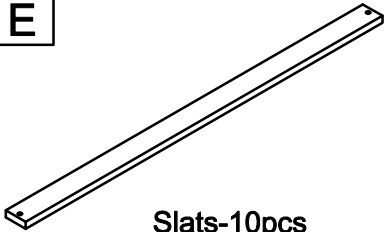
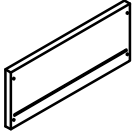
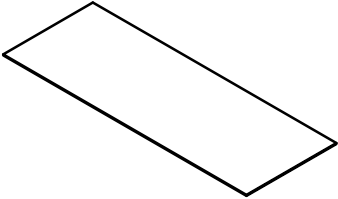

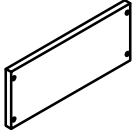
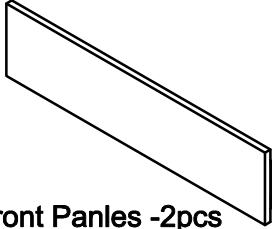
Head Board-1pc

B





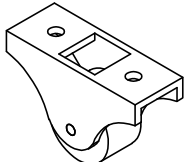
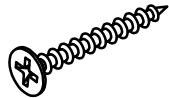

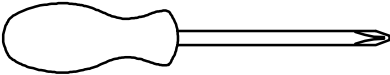


Foot Board-1pc

Part List(WF283066)-Hardware List

<p>C</p>  <p>Side rails-2pcs</p>	<p>D</p>  <p>back Frame-1pc</p>	<p>E</p>  <p>Slats-10pcs</p>
<p>F</p>  <p>Drawer-Side Panles -2pcs</p>	<p>H</p>  <p>Drawer-Bottom Panles-2pcs</p>	<p>K</p>  <p>Drawer-Support Bottom-2pcs</p>
<p>G</p>  <p>Drawer-Side Panles -2pcs</p>	<p>M</p>  <p>Drawer-Front Panles -2pcs</p>	

Hardware List

<p>1</p>  <p>Plastic Feet(Ø50x38) 4pcs</p>	<p>2</p>  <p>Ø1/4" x 30 mm Hex-Head bolts 8pcs</p>	<p>3</p>  <p>Ø1/4" x 40 mm Hex-Head bolts 4pcs</p>
<p>4</p>  <p>M4 x 30 mm Wood Screws 36pcs</p>	<p>5</p>  <p>Wheels 8pcs</p>	<p>6</p>  <p>M4 x 15 mm Wood Screws 16pcs</p>
<p>7</p>  <p>Allen Key 1pc</p>		

Assembly Tools Required (Not Included)

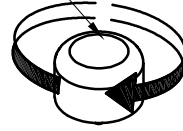
STEP 1: Following below illustration Assembly Plastic Feet(#1) With Headboard and Footboard

1

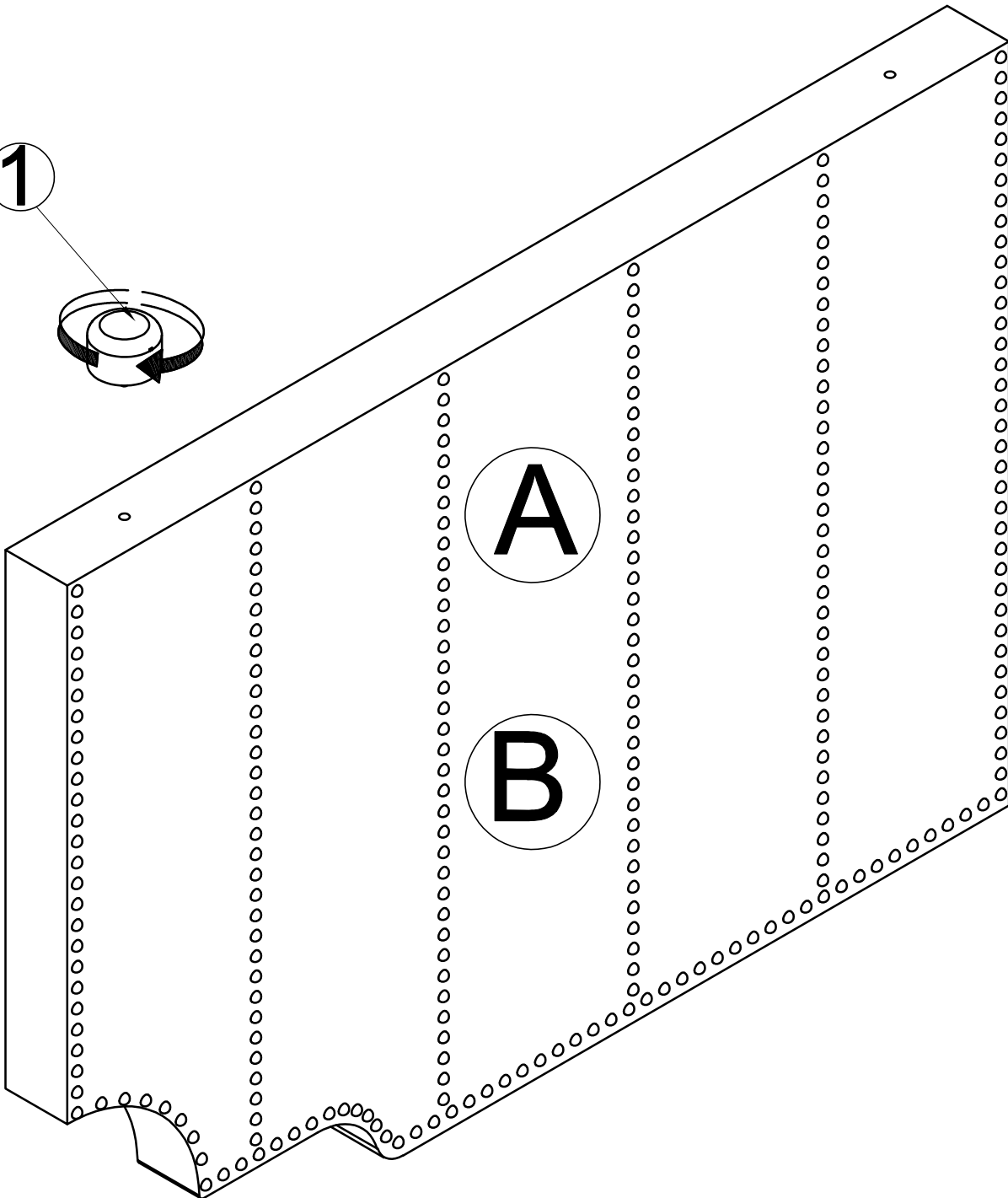
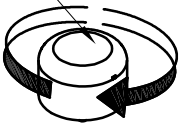


2x2pcs

1



1



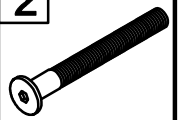
A

B

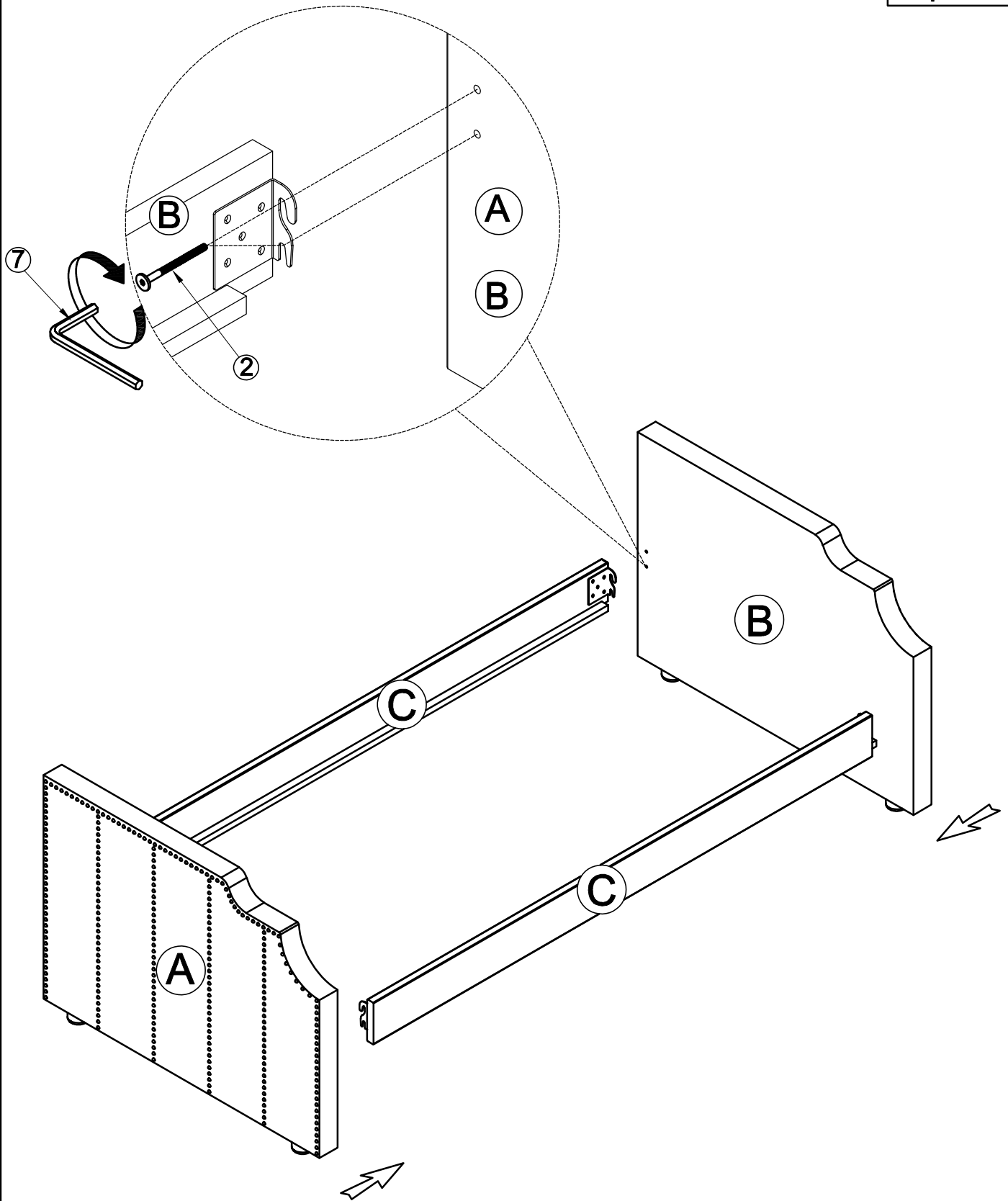
STEP 2: Following below illustration Using hardware #2 to Assembly Headboard and Footboard with siderail

C(x2). Look at detail view for more detail

2



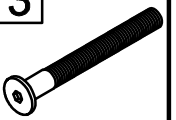
8pcs



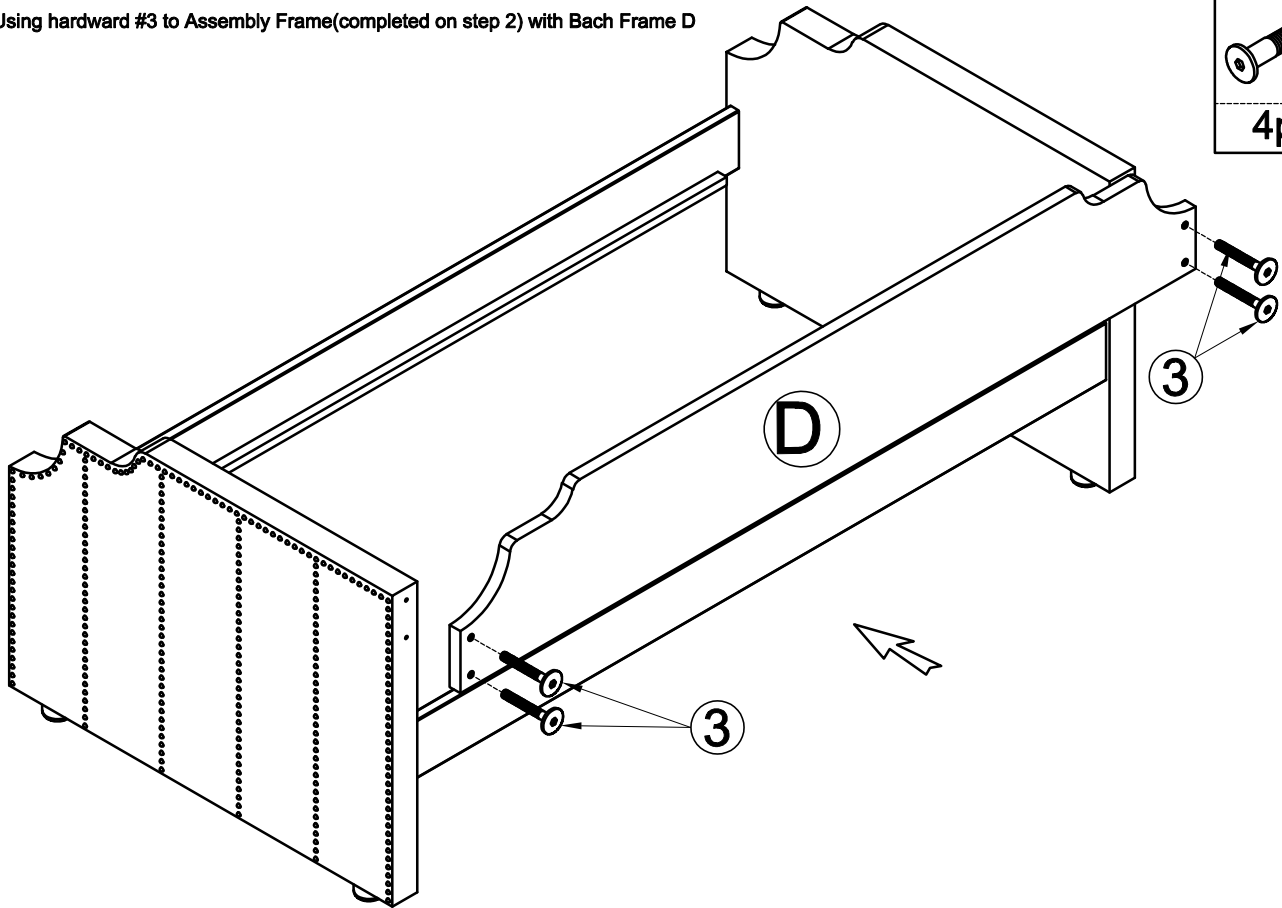
STEP 3: Following below illustration

-Using hardward #3 to Assembly Frame(completed on step 2) with Bach Frame D

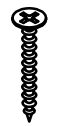
3



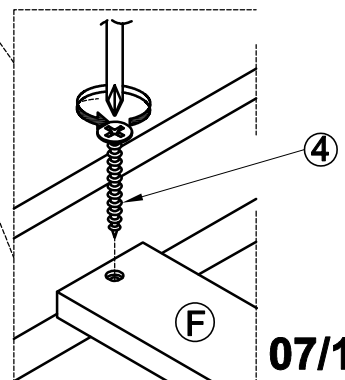
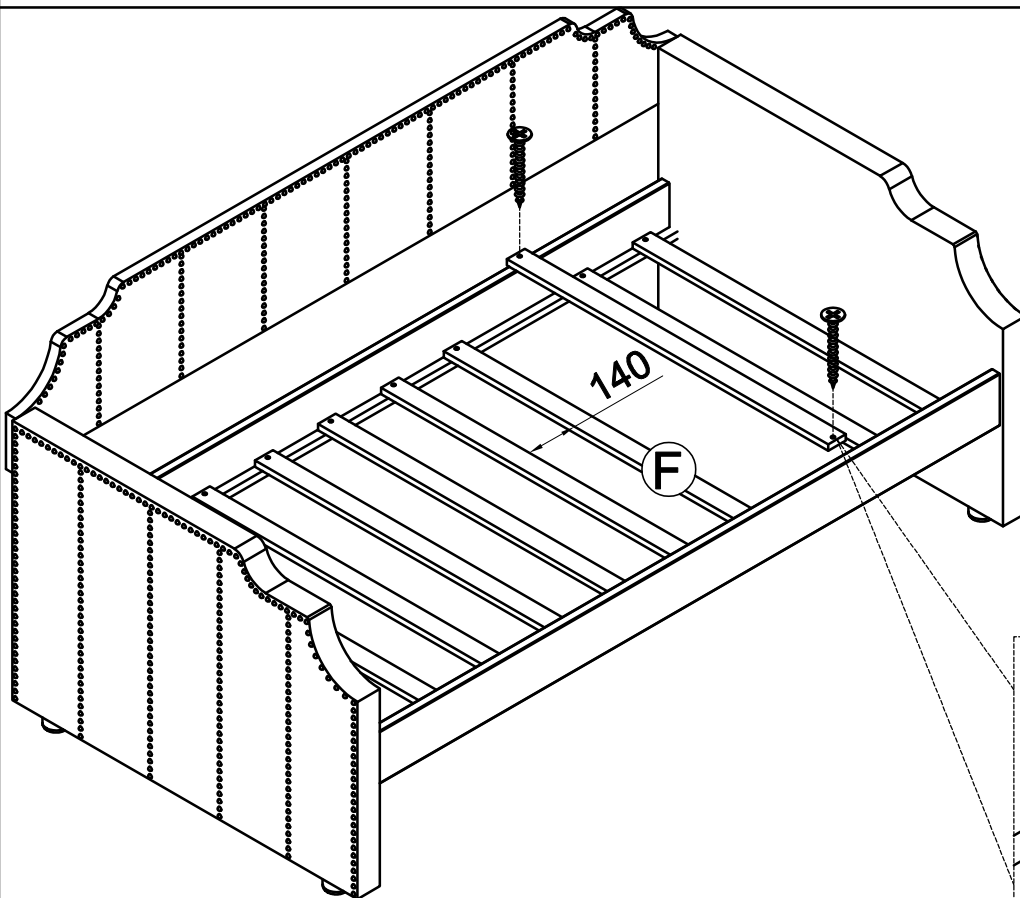
4pcs



4

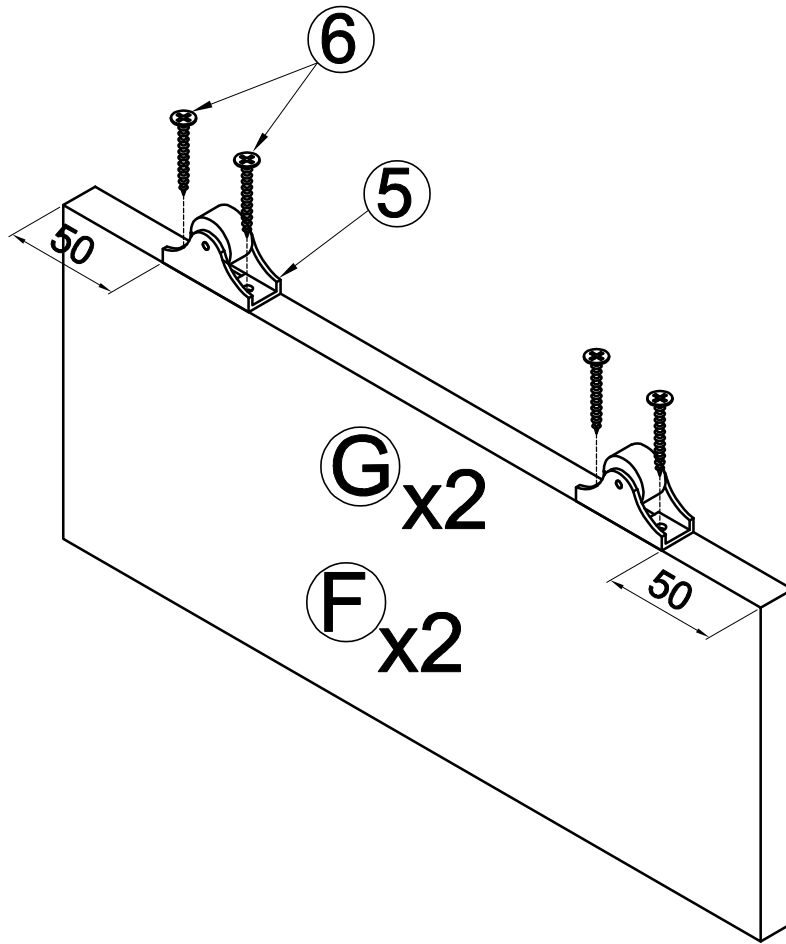


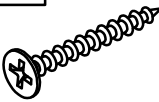
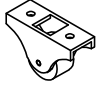
20pcs



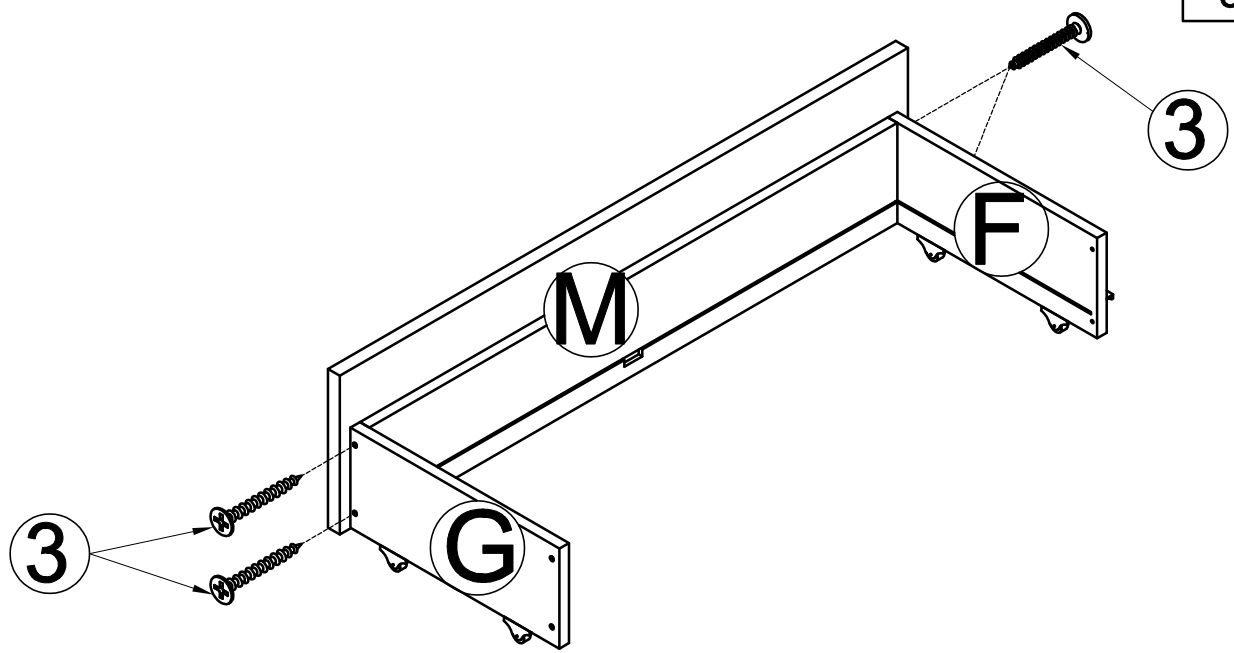
07/10


STEP 4-1:



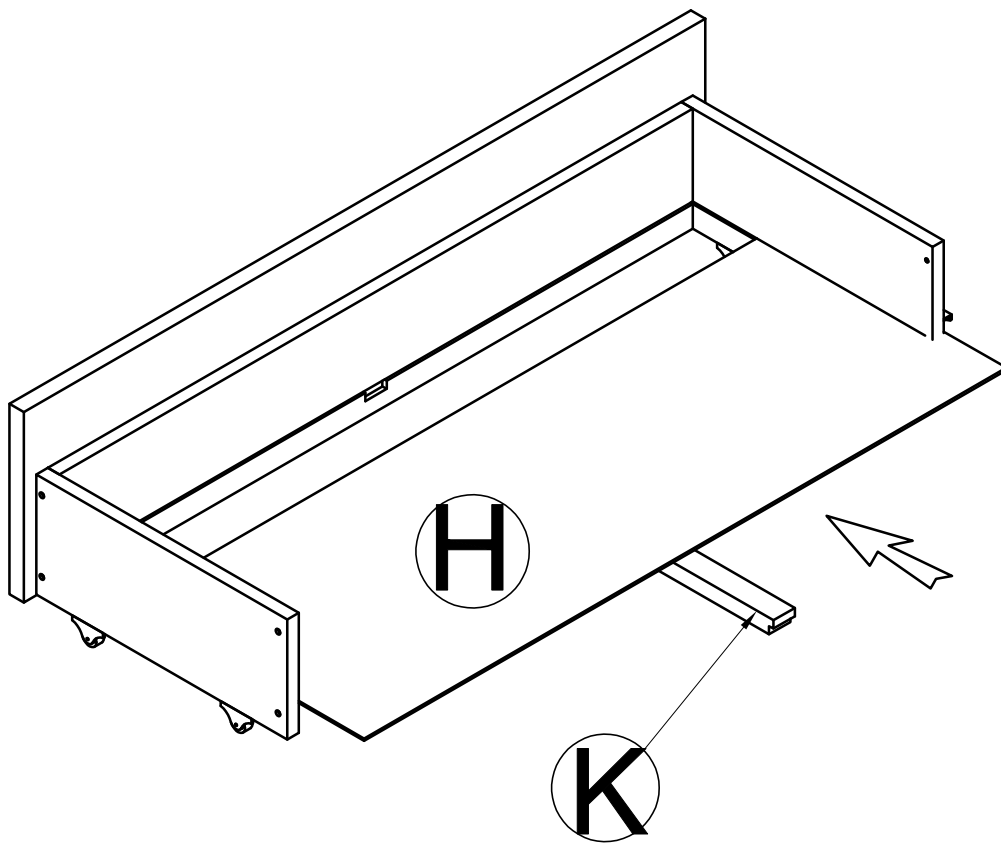
6	5
	
16pcs	8pcs

STEP 4-2:

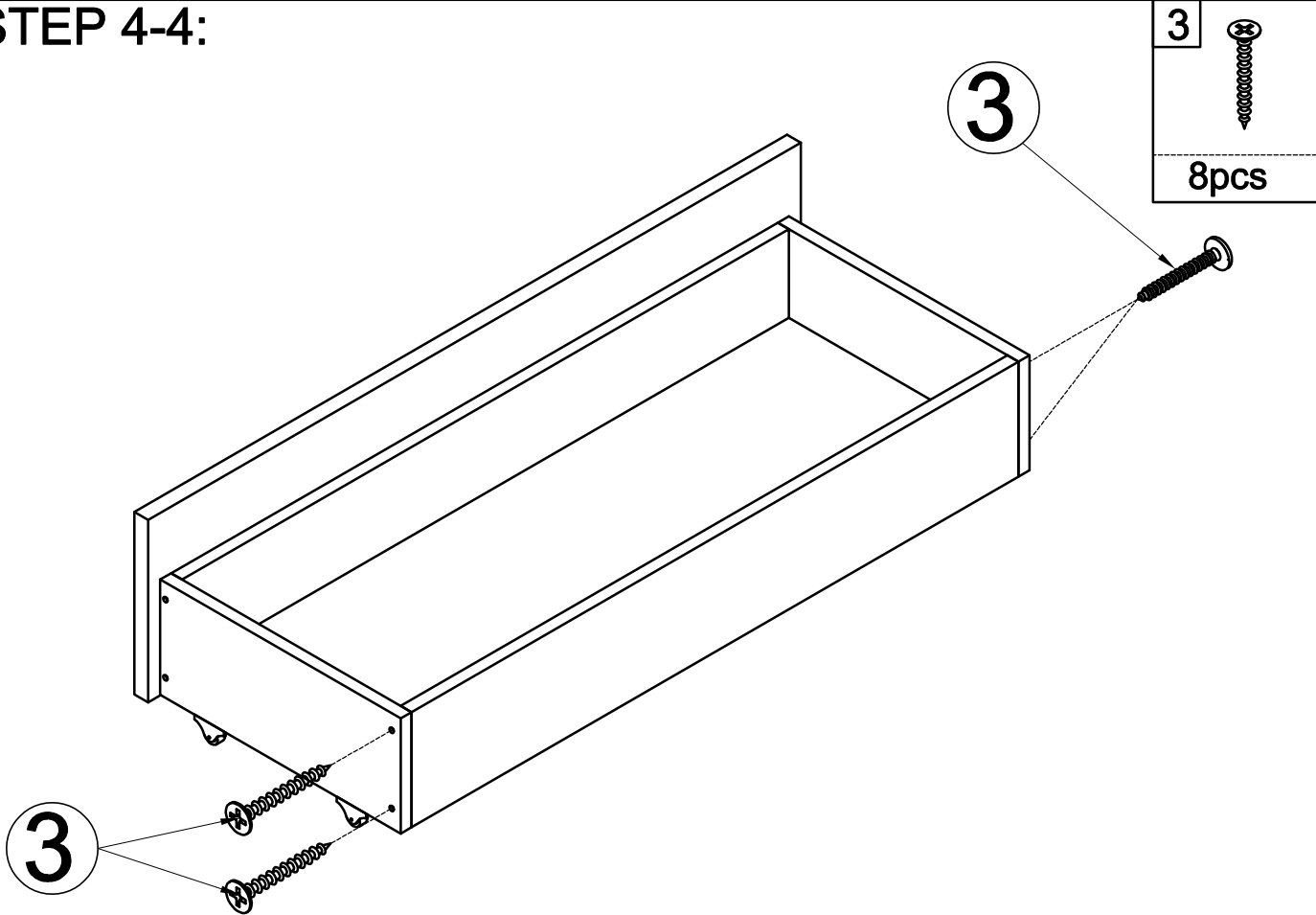


3

8pcs

STEP 4-3:



STEP 4-4:



STEP 5: CONGRARULATION. YOU HAVE COMPLETED THE BED. just one more step to push the Under Drawer into it

position

