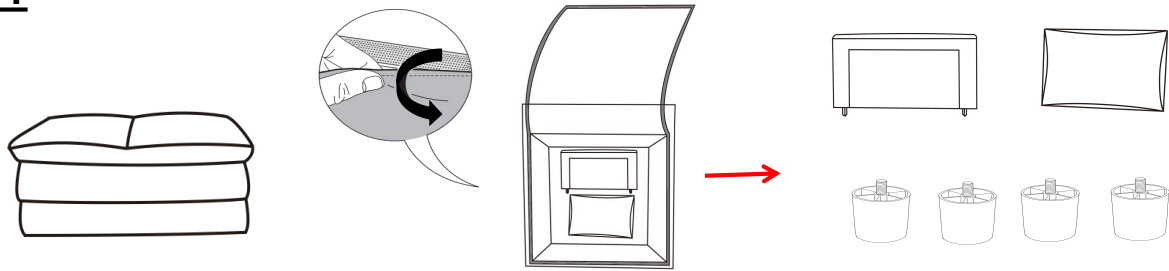


ASSEMBLY INSTRUCTION

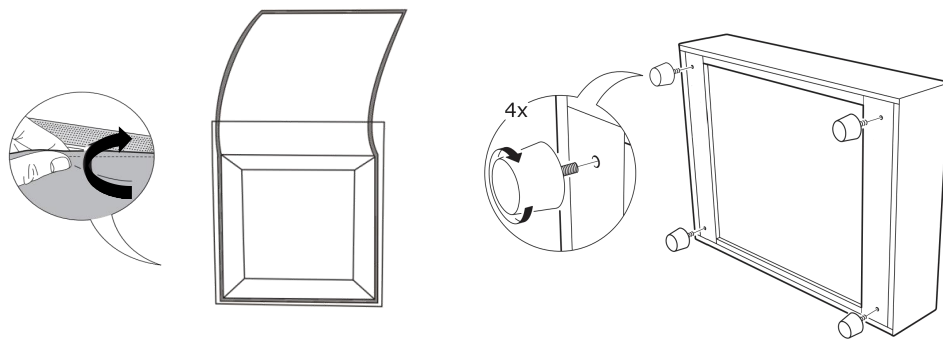
Before you beginning ,please follow below Assembly Instruction step by step.

Step 1



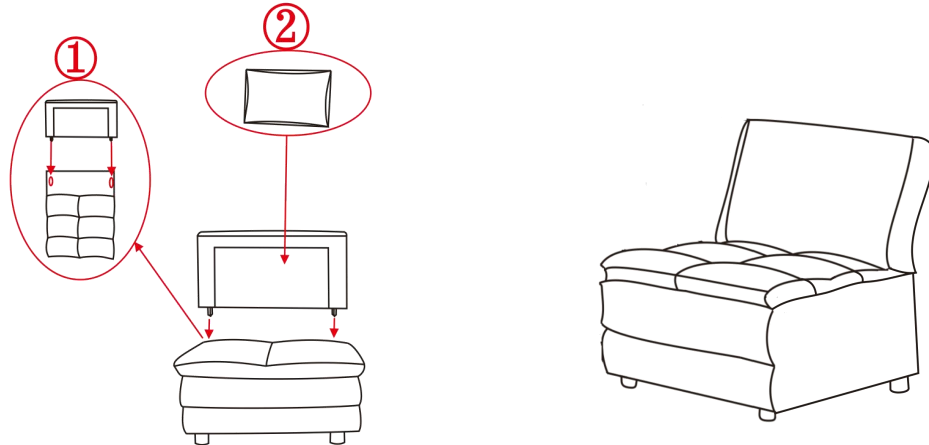
Armrest is on the sofa seating surface. Open the Velcro at the bottom of the sofa, take out the backrest, the backrest bag and the legs.

Step 2



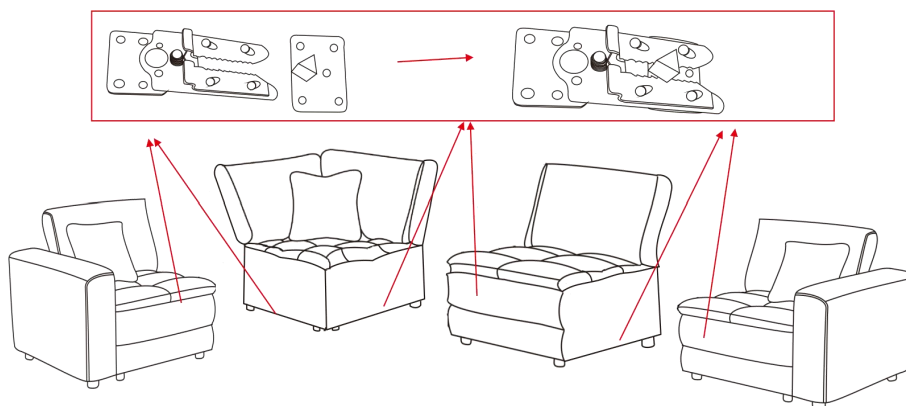
After taking the legs of the sofa out, close the Velcro, then rotate the foot clockwise to install.

Step 3



Align backrest with the socket hole and insert it into the back of the sofa

Step 4

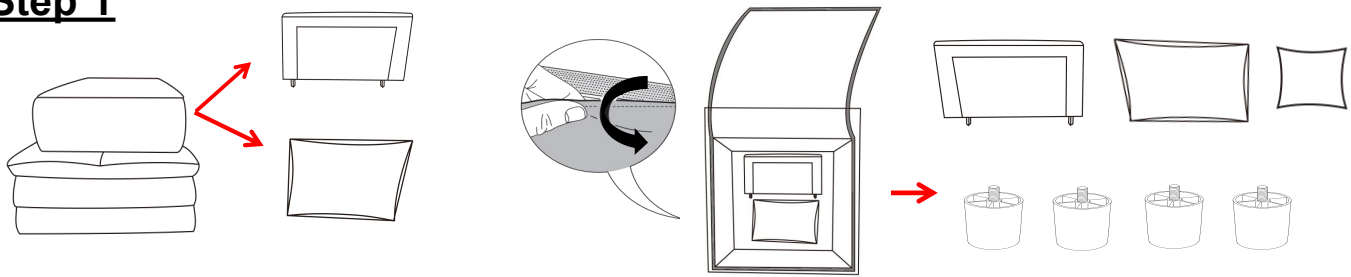


There are sofa buckle alligator clamp in the bottom to make the sofa conneted.

ASSEMBLY INSTRUCTION

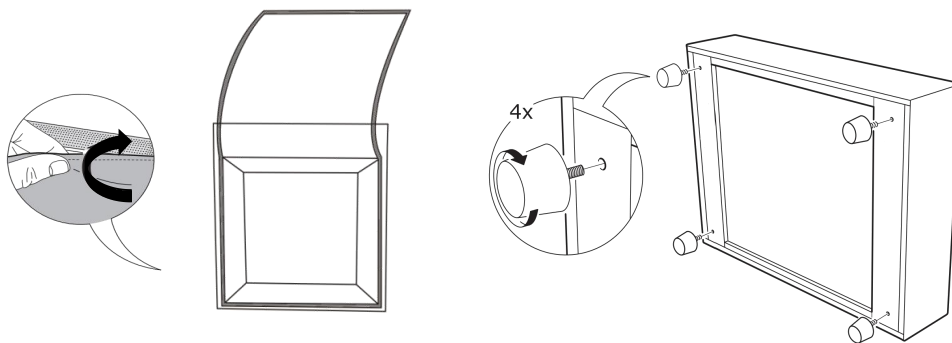
Before you beginning ,please follow below Assembly Instruction step by step.

Step 1



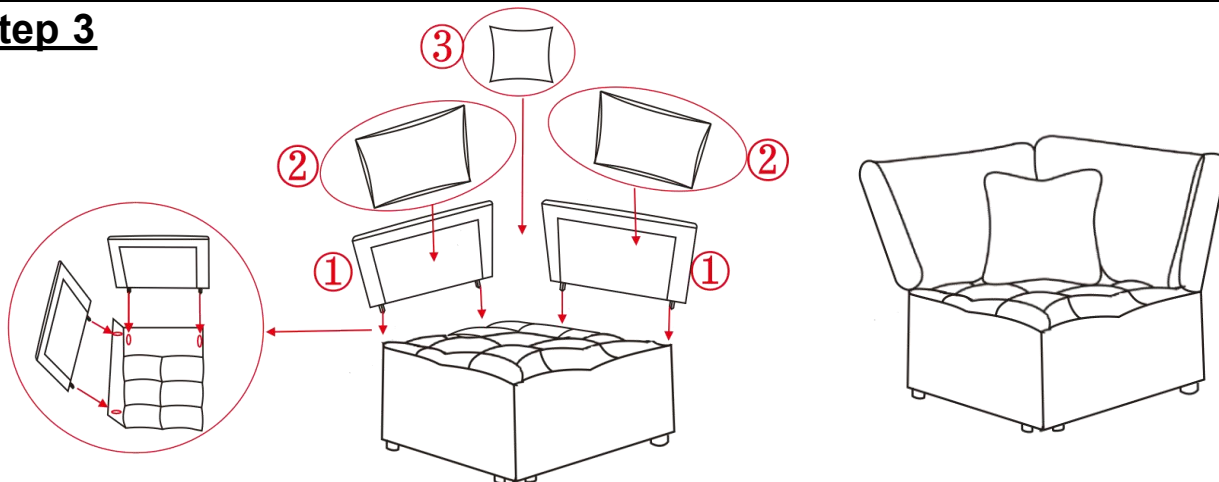
One backrest and one backrest bag are on the sofa seating surface. Open the Velcro at the bottom of the sofa, take out the the other backrest, backrest bag, pillow and the legs.

Step 2



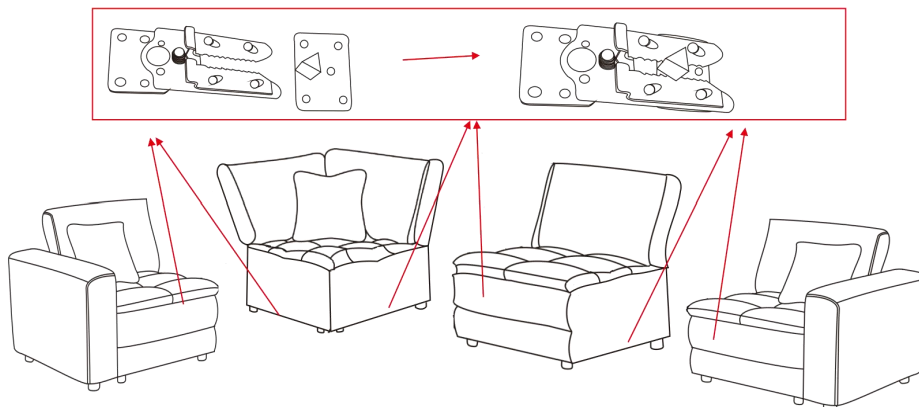
After taking the legs of the sofa out, close the Velcro, then rotate the foot clockwise to install.

Step 3



Align backrest with the socket hole and insert it into the back of the sofa

Step 4



There are sofa buckle alligator clamp in the bottom to make the sofa conneted.