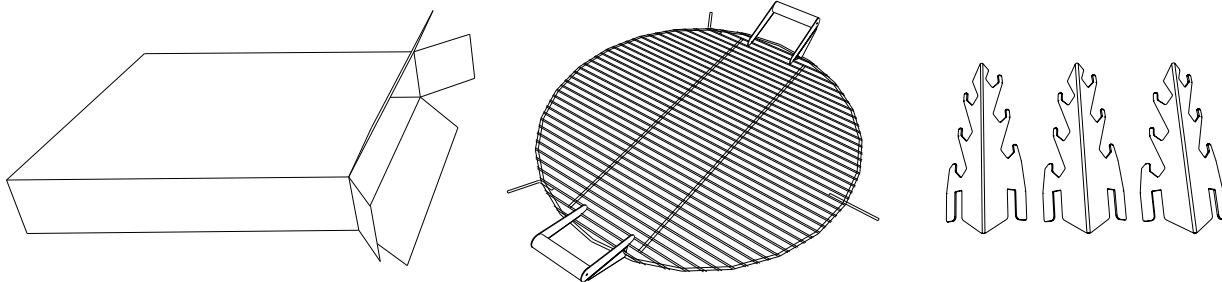


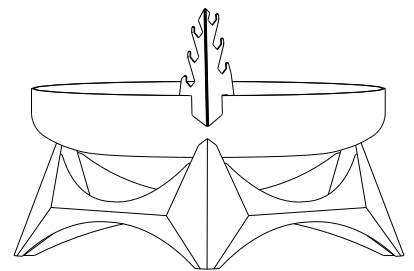
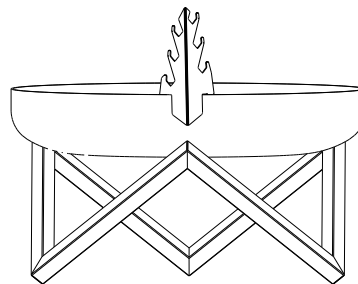
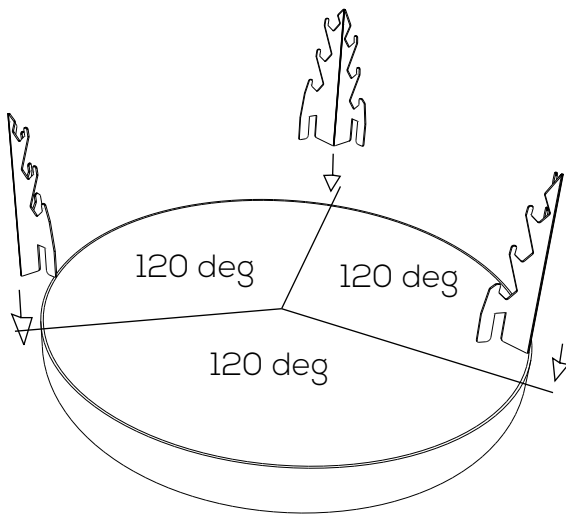
I



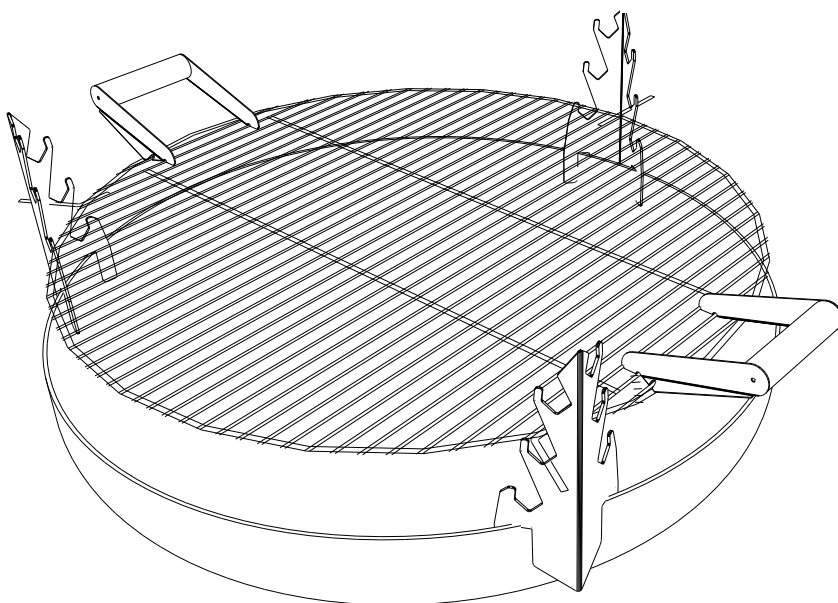
Put holders on bowl

II

Depending on the types of fireplace you can orientate with legs



III



Grates height can be regulated by positioning grates on different cut

Before using a grill grate, wash it thoroughly with a dishwashing liquid. Rinse with hot water and dry completely with a soft cloth or paper towel.