

ADULT ASSEMBLY REQUIRED

KD LIBRARY BOOK DISPLAY: 1526415, 1587404

BIRD•IN•HAND

Woodworks, Inc.

Lancaster, Pennsylvania
A member of the School Specialty Family

Product Guide - General Instructions and Information

Customer Service:

P.O. Box 1579, Appleton, WI 54912-1579
Phone: 1-888-388-3224 Fax: 1-888-388-6344
E-Mail: Appleton_Orders@schoolspecialty.com
Website: www.schoolspecialty.com

Warning:

This product is for children. Supervision is required at all times.

Warning:

Manufacturer is not responsible for changes made to our products by customers.

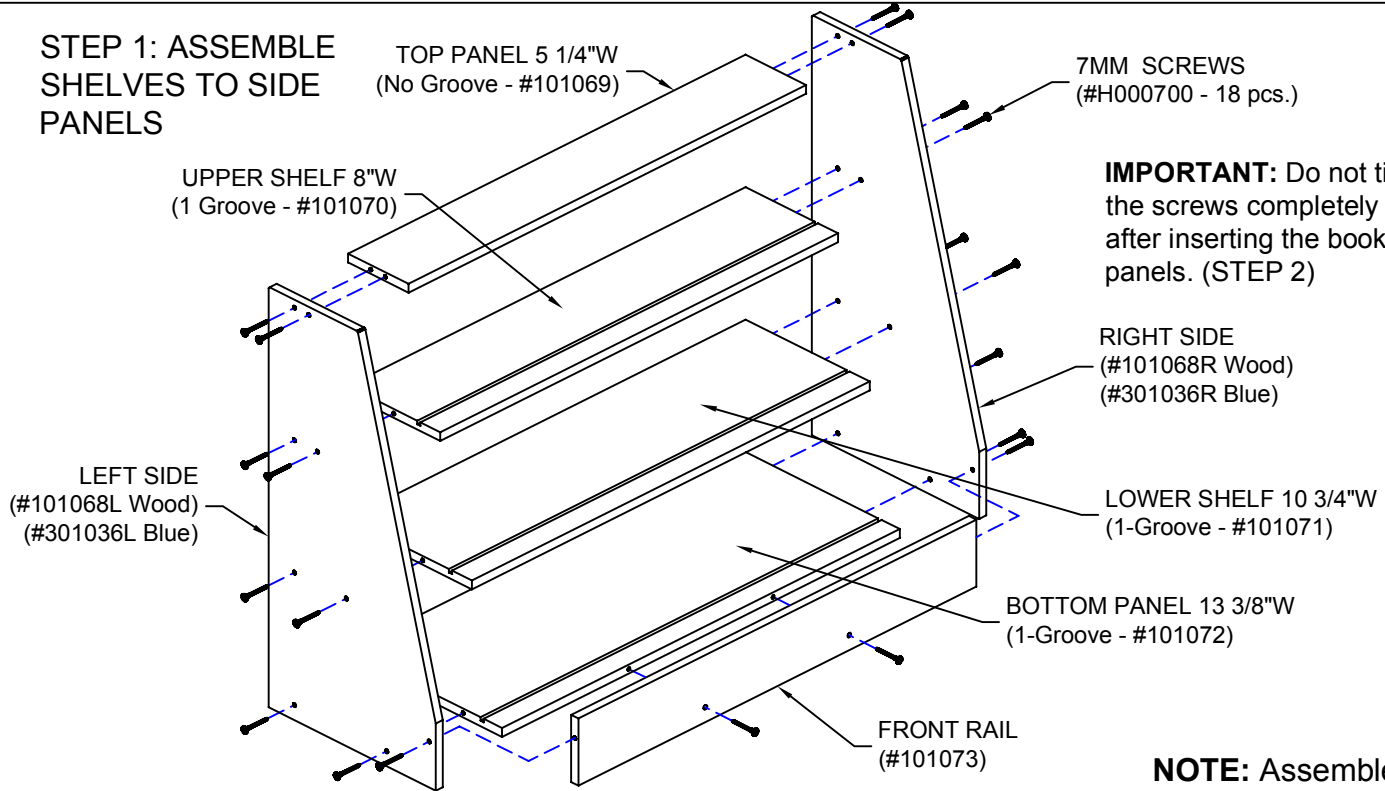
Cleaning:

Use a mild soap and water solution. Be sure to wipe all water from the wood surface.

Important:

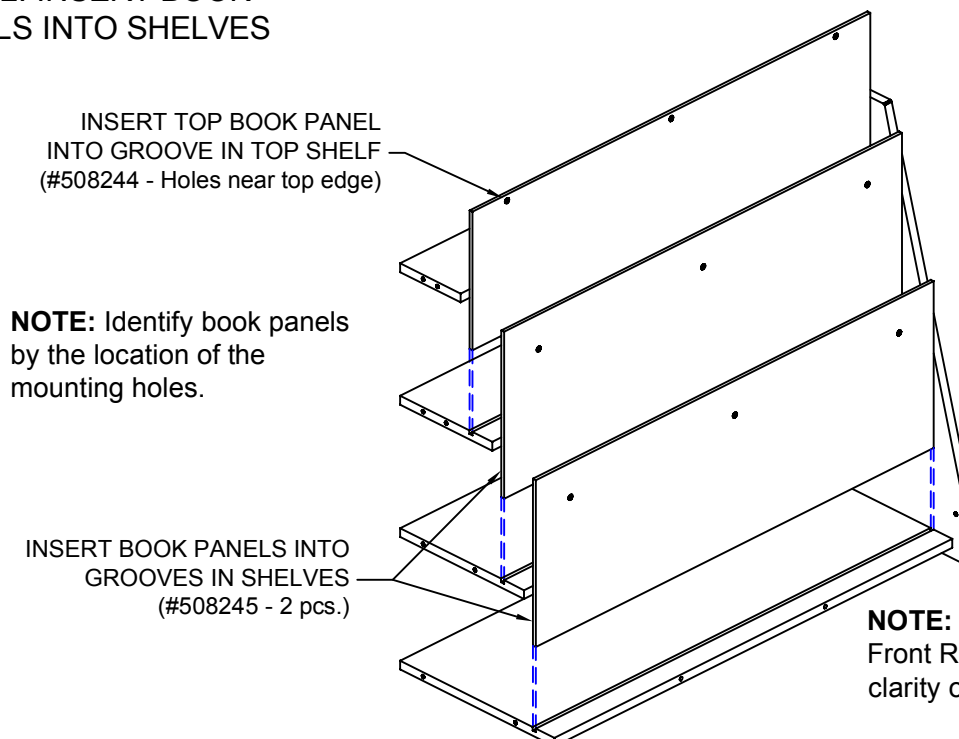
Keep these instructions for future reference.

STEP 1: ASSEMBLE SHELVES TO SIDE PANELS



IMPORTANT: Do not tighten the screws completely until after inserting the book panels. (STEP 2)

STEP 2: INSERT BOOK PANELS INTO SHELVES



NOTE: Assemble complete unit using the supplied allen wrench. Do not over-tighten the screws! This can cause the screws to strip out, which will weaken the assembled unit.

NOTE: Left Side panel and Front Rail are not shown for clarity of illustration only!

ADULT ASSEMBLY REQUIRED

KD LIBRARY BOOK DISPLAY:

BIRD·IN·HAND

Woodworks, Inc.

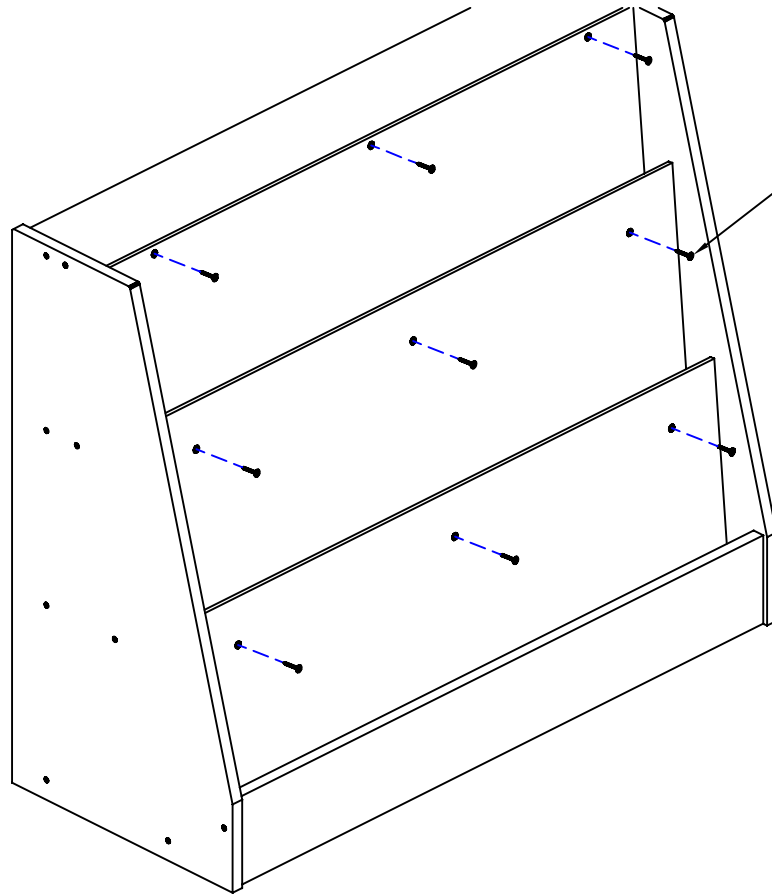
Lancaster, Pennsylvania

A member of the School Specialty Family

Product Guide - General Instructions and Information

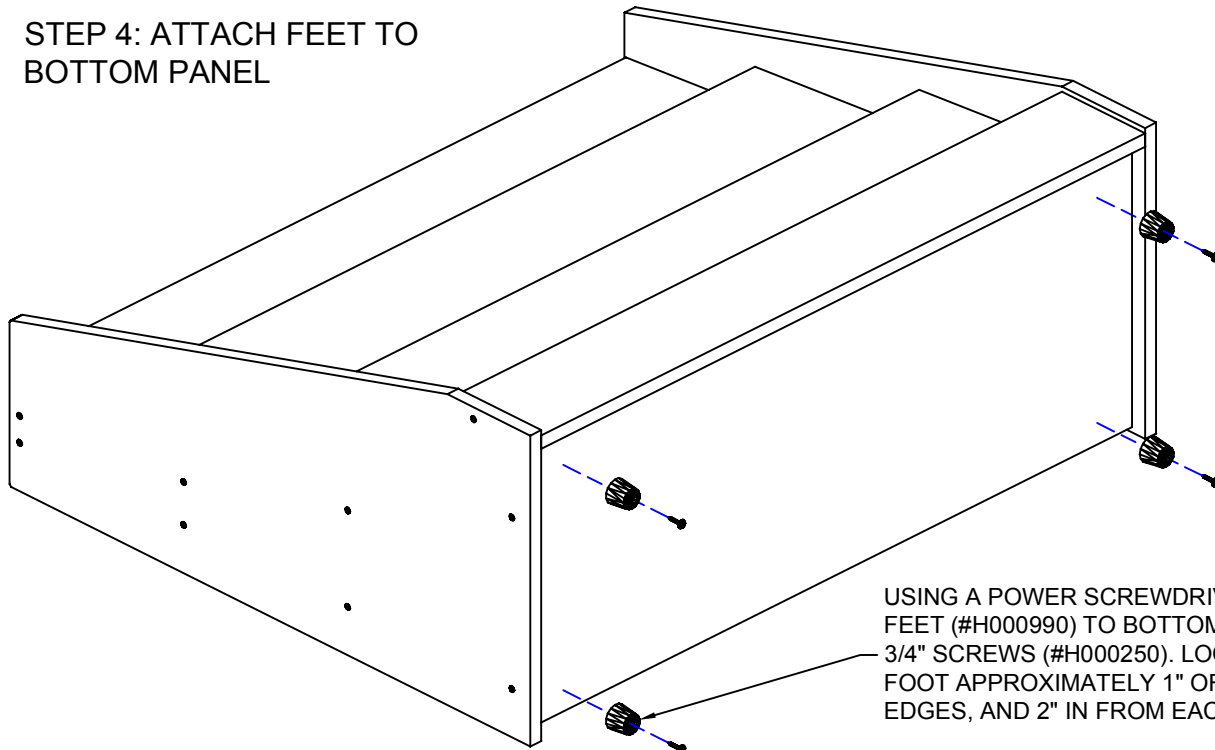
STEP 3: ATTACH BOOK PANELS TO SHELVES

NOTE: Push Book Panels back against the edge of each shelf.



SECURE EACH SHELF USING THE 3/4" LONG SCREWS. (#H000080 - 9 pcs.)

STEP 4: ATTACH FEET TO BOTTOM PANEL



USING A POWER SCREWDRIVER, ATTACH FEET (#H000990) TO BOTTOM PANEL WITH 3/4" SCREWS (#H000250). LOCATE EACH FOOT APPROXIMATELY 1" OFF THE LONG EDGES, AND 2" IN FROM EACH END.