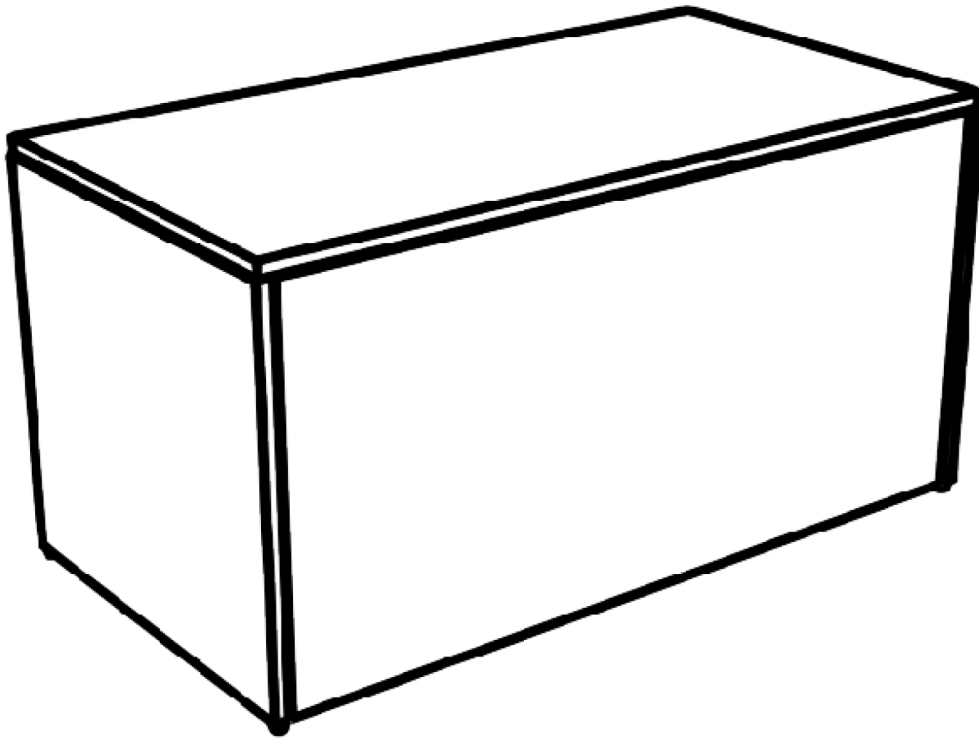




## Jackson Wicker Storage Box



For questions or comments about product:

Email: [\*\*support@donglinusa.net\*\*](mailto:support@donglinusa.net) or call our Customer Service at:1-844-836-4055 (Monday-Friday, 9:30 am -5:30 pm Central time)

## Safety Information

### SET UP YOUR FURNITURE PROPERLY

Ensure that all parts are assembled properly and fully tightened as per the instructions. When placing in the desired location, ensure that all legs are resting on the same surface.



**CAUTION:** Read all of the instructions in this manual before you begin assembly. Failure to do so may result in faulty assembly and potential injury!

### EXAMINE YOUR FURNITURE

Examine occasionally to ensure that there are no loose parts. If loose parts are found, they must be retightened fully before additional use.

## Warranty

### 1 YEAR WARRANTY FOR FRAME AND WICKER

#### WHAT IS COVERED

We warrant the frame to be free of manufacturing defects to the original purchaser for 1 year

#### WHAT IS NOT COVERED

- It remains the customer's responsibility for freight and packaging charges to and from our service center.
- This warranty does not cover commercial use, hardware, acts of nature, fire, freezing and abusive use.
- Discoloration or fading of the finish or fabrics as a result of chemicals or spills is not covered.
- Glass table top breakage and corrosion or rusting of hardware are not covered.
- In addition, purchase parts are not covered under this warranty.

## Care and Maintenance

- Do not allow water to build up in frames. This will cause corrosion and possible freezing damage in cold climates.
- Use a mild soap and water for normal cleaning. DO NOT use janitorial or alcohol based cleaners. Some cleaners may be marked as natural, but some ingredients can cause discoloration or have adverse reaction to your finish.
- Rinse with clean water and dry with a soft, absorbent cloth towel.
- Cushions, slings, and/or an umbrella may be cleaned by hand with a solution of soap and water with a clean water rinse. Never machine wash as this will result in shrinking or damage. After cleaning, tip on end and allow to drip dry. Never use a commercial or home dryer to tumble dry fabric goods.
- Treat frames with liquid wax for maximum protection against UV rays and /or salty, damp air.
- Use and operation: To prolong the life of your outdoor furniture, cover when not in use. Store indoors during winter months.

# Pre-Assembly

## PLANNING ASSEMBLY

PLEASE READ COMPLETE USE AND CARE GUIDE PRIOR TO ASSEMBLY!

Identify all parts packed in the carton against the parts list. Remove all protective materials and place the parts on a nonabrasive surface to avoid scratching. It takes about 15 minutes for 1 person to complete all the assembly.



**NOTE:** More than one person may be required to complete the assembly of this product.

## OBSERVE WEIGHT LIMITS

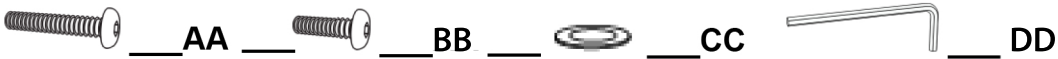
The recommended weight limit for this item is listed below:

- 100 lbs

## HARDWARE INCLUDED



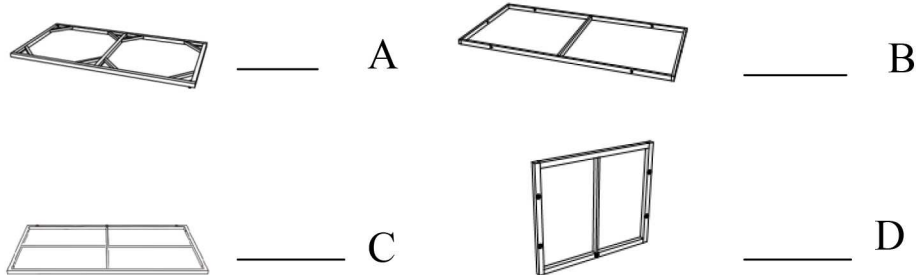
**NOTE:** Hardware not shown to actual size.



Part	Description	Quantity
AA	M6X35mm Bolt	2
BB	M6X25mm Bolt	12
CC	M6 Washer	14
DD	Allen Wrench	1

# Pre-Assembly (continued)

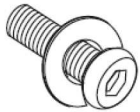
## PACKAGE CONTENTS



Part	Description	Quantity
A	TOP	1
B	Bottom	1
C	Side Panel (Long)	2
D	Side Panel (Short)	2



## Safety Information



EVERY BOLT NEEDS TO BE USED WITH A WASHER.  
DO NOT FULLY TIGHTEN BOLT UNTIL INDICATED IN **STEP 1**.

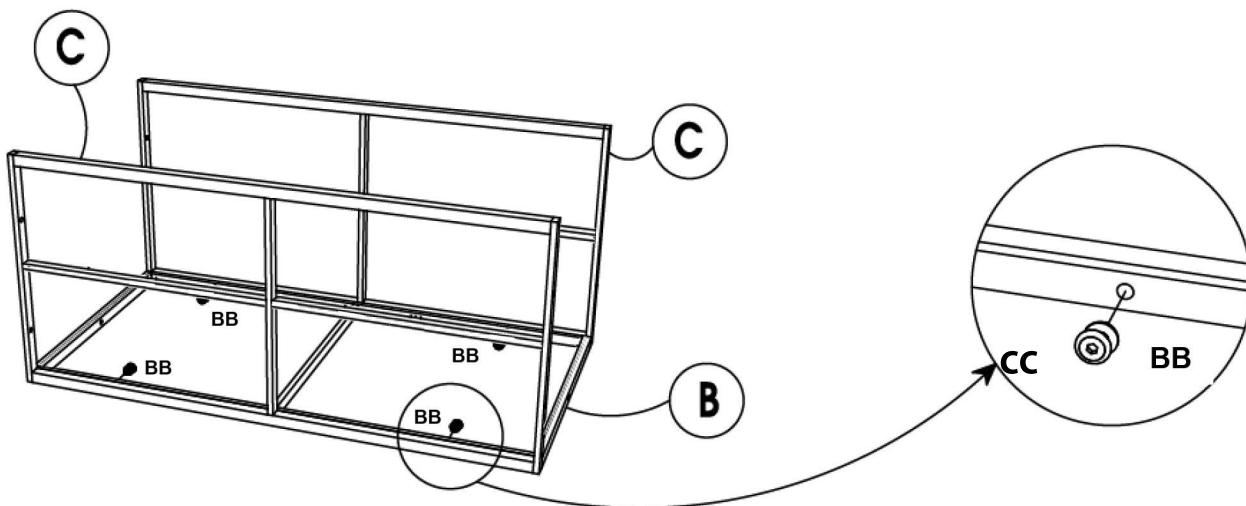
# Assembly Instruction

## 1 Attaching the Long side panel to the bottom



NOTE: Do not fully tighten the bolts.

- Place the bottom (B) on a flat, soft surface.
- Attach the bottom (B) to long side panel (C) by using bolts (BB) with metal washers (CC) through each hole of the bottom(B) into the long side panel (C).



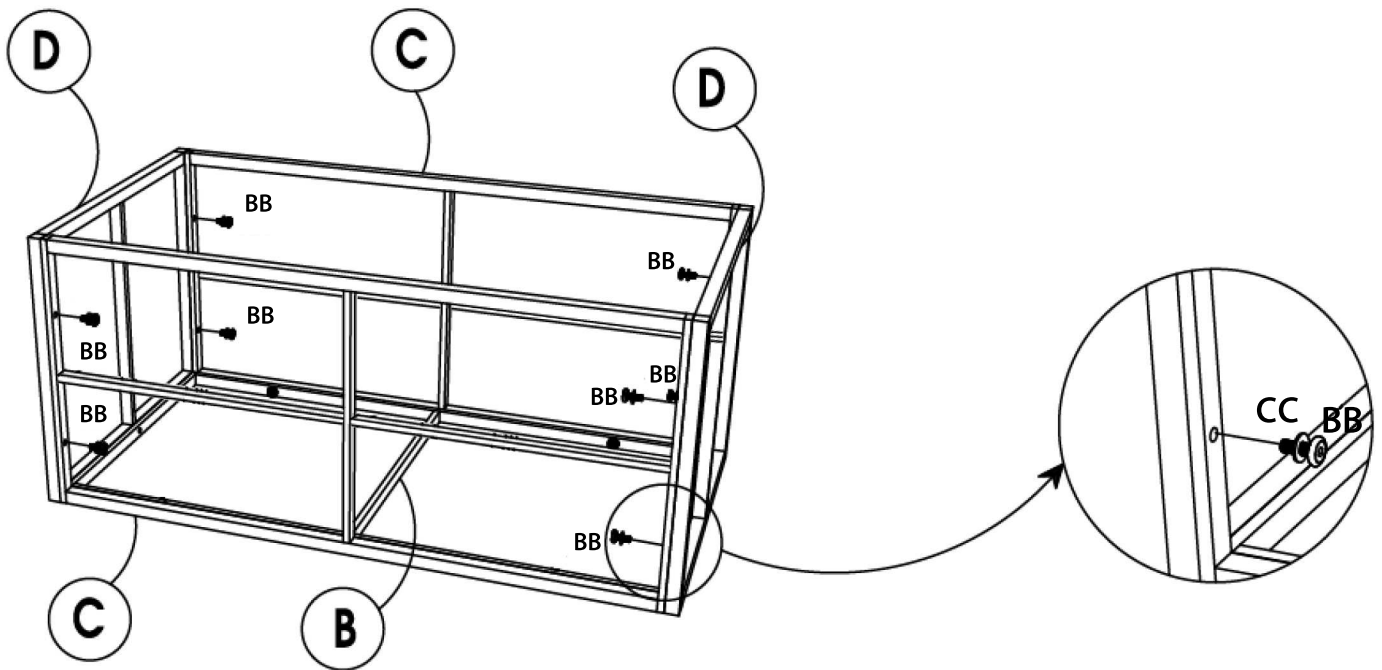
## Assembly Instruction (continued)

### 2 Attaching the long side panel to the short side panel



**NOTE:** Do not fully tighten the bolts.

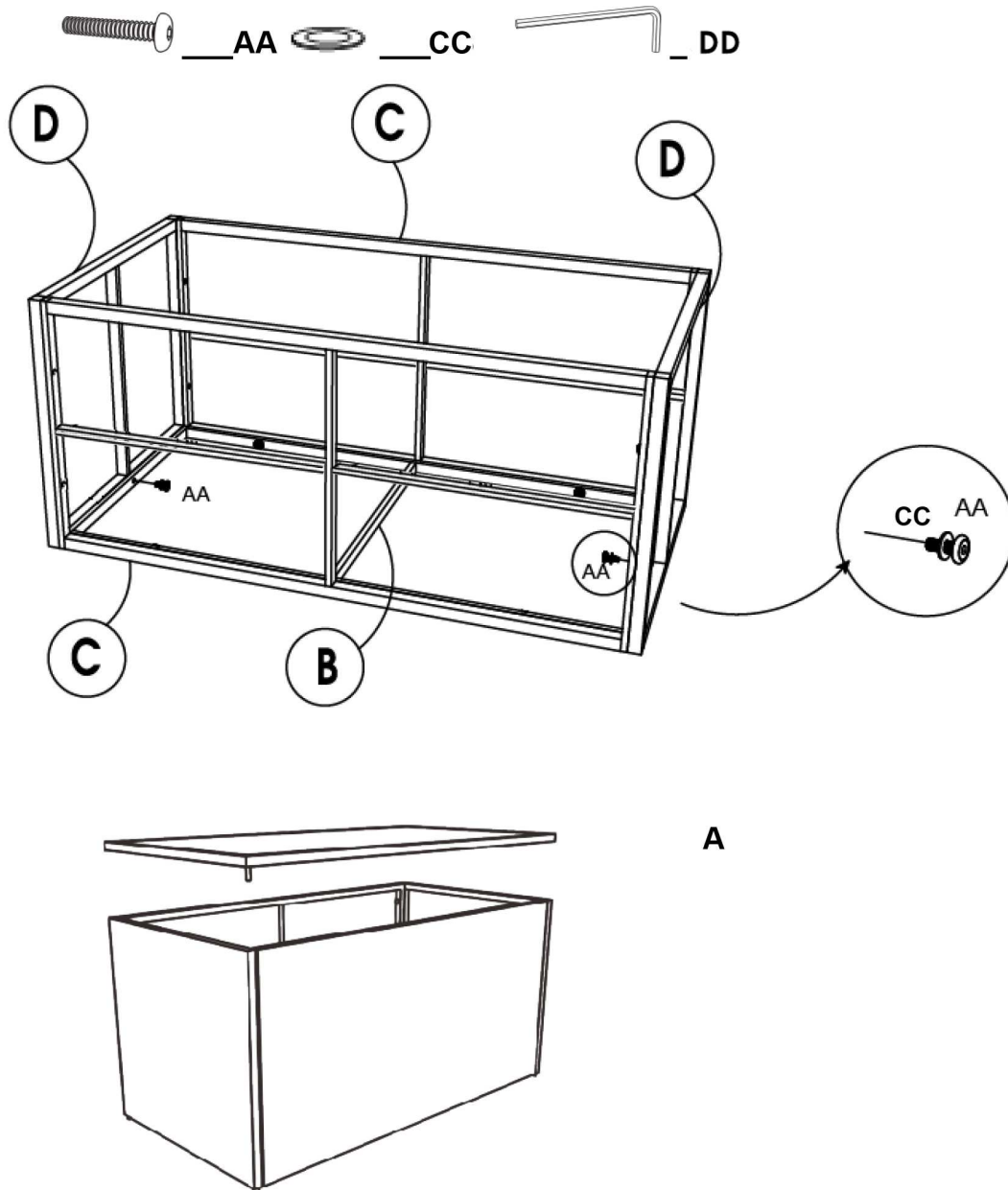
- Attach the long side panel(C) to the short side panel (D) by inserting bolts (BB) with metal washers (CC) through each hole of the long side panel (C) into the short side panel (D).



## Assembly Instruction (continued)

### 3 Attaching the bottom to the short side panel

- Attach the bottom (B) to the short side panel (D) by using bolts (AA) with metal washers (CC) through each hole of the bottom (B) into the short side panel (D).
- Tighten all bolts with the Allen wrench (DD).
- Put the top (A) on the assembled the side C&D



## Assembly Instruction (continued)

---

**4** Now is ready for your enjoyment.

