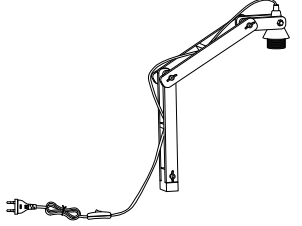
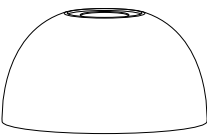
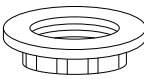
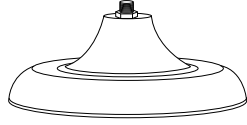
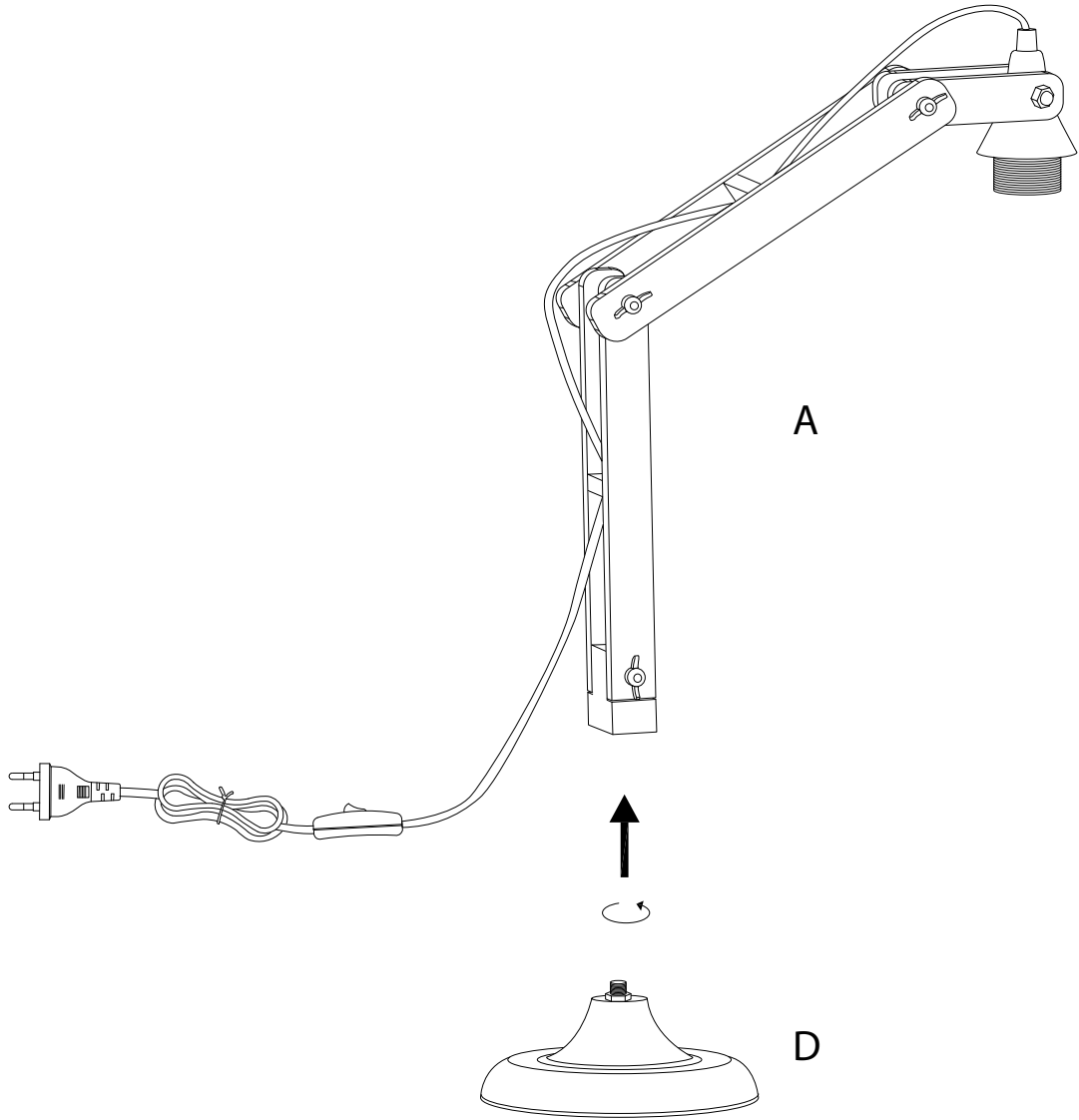
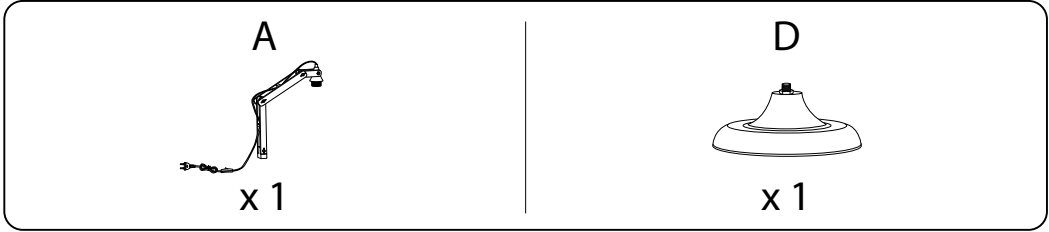


A	B	C	D
 x 1	 x 1	 x 1	 x 1

1



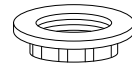
2

B

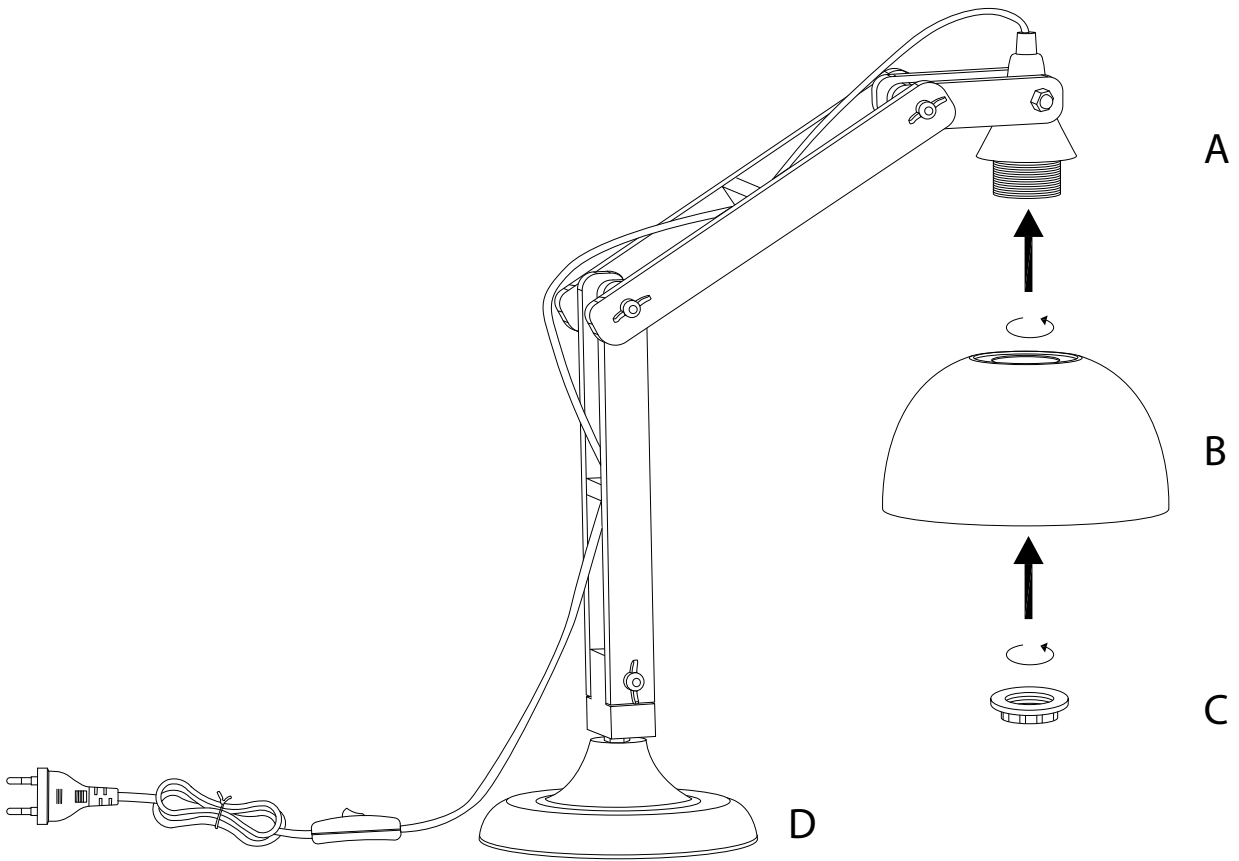


x 1

C



x 1



3

