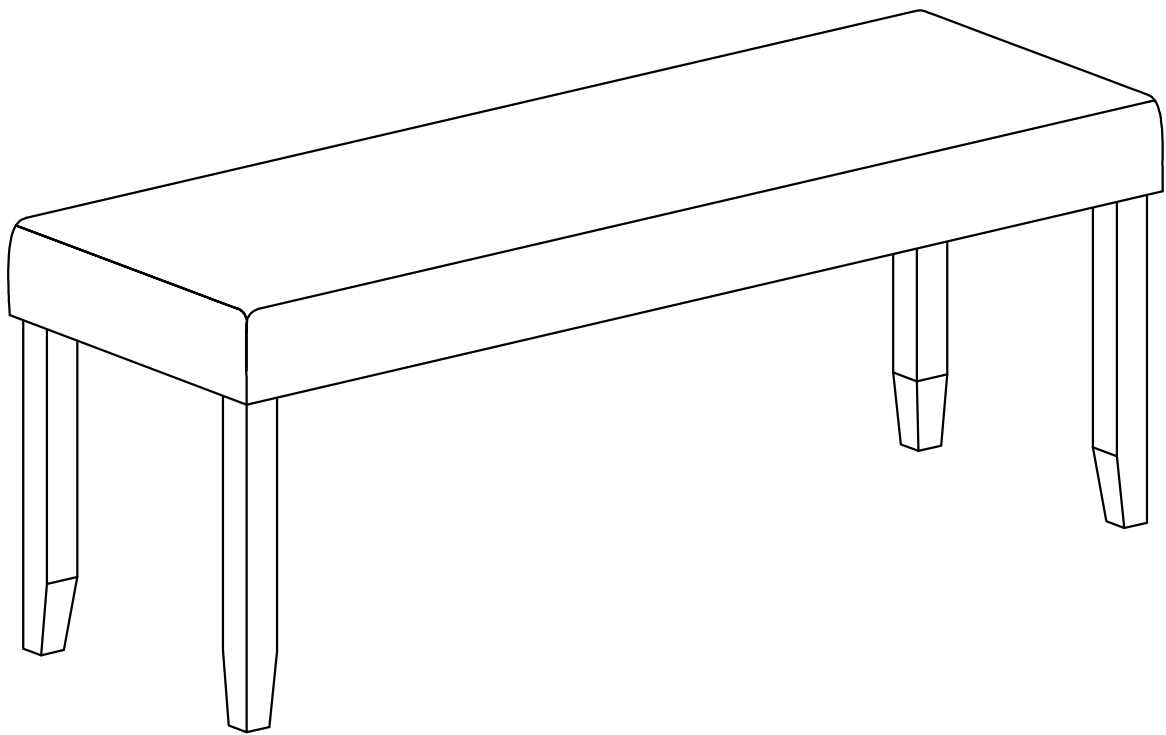


ASSEMBLY INSTRUCTIONS

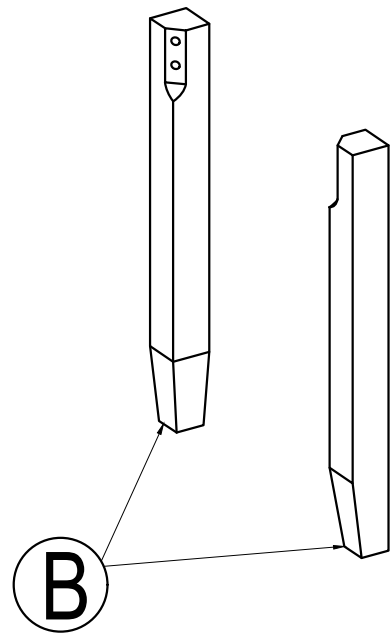
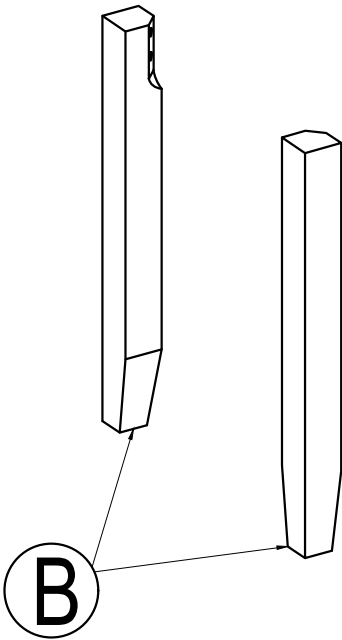
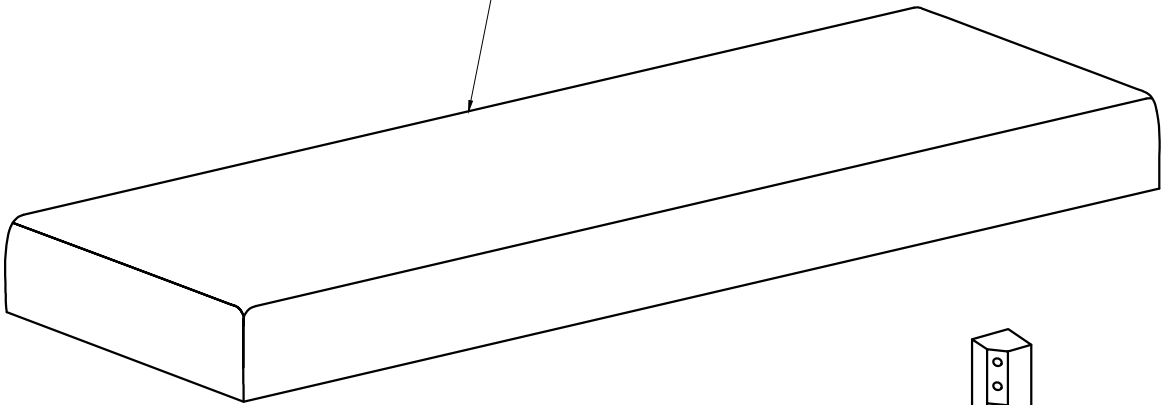
ITEM NO.WF302658



IMPORTANT NOTE :

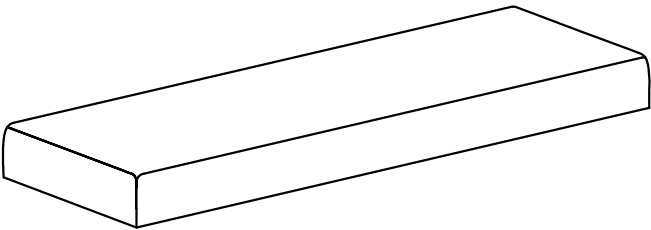
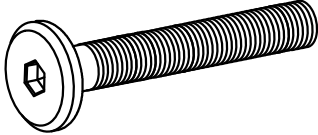

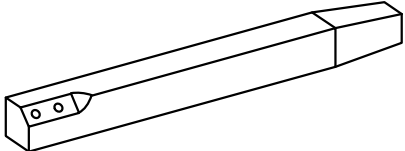
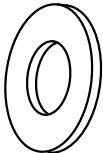

- ① PLACE ALL PARTS ON A CLEAN AND SMOOTH SURFACE SUCH AS A RUG OR CARPET TO AVOID THE PARTS FROM BEING SCRATCHED.
- ② BEFORE YOU BEGIN,KINDLY FOLLOW THE ASSEMBLY INSTRUCTIONS STEP BY STEP.
- ③ DO NOT TIGHTEN ALL SCREWS AND BOLTS UNTIL THE BENCH IS FULLY SET-UP.

A



Part List

Hardware List

<p>Ⓐ</p>  <p>BENCH CUSHION SEAT (1 pc)</p>	<p>①</p>  <p>Ø1/4" x 50 mm BOLT (8 pcs)</p> <p>②</p>  <p>Ø5/16" x 13 mm FLAT WASHER (8 pcs)</p>
<p>Ⓑ</p>  <p>BENCH LEG (4 pcs)</p>	<p>③</p>  <p>Ø5/16" x 19 mm LOCK WASHER (8 pcs)</p> <p>④</p>  <p>4 mm ALLEN KEY (1 pc)</p>

STEP 1:

