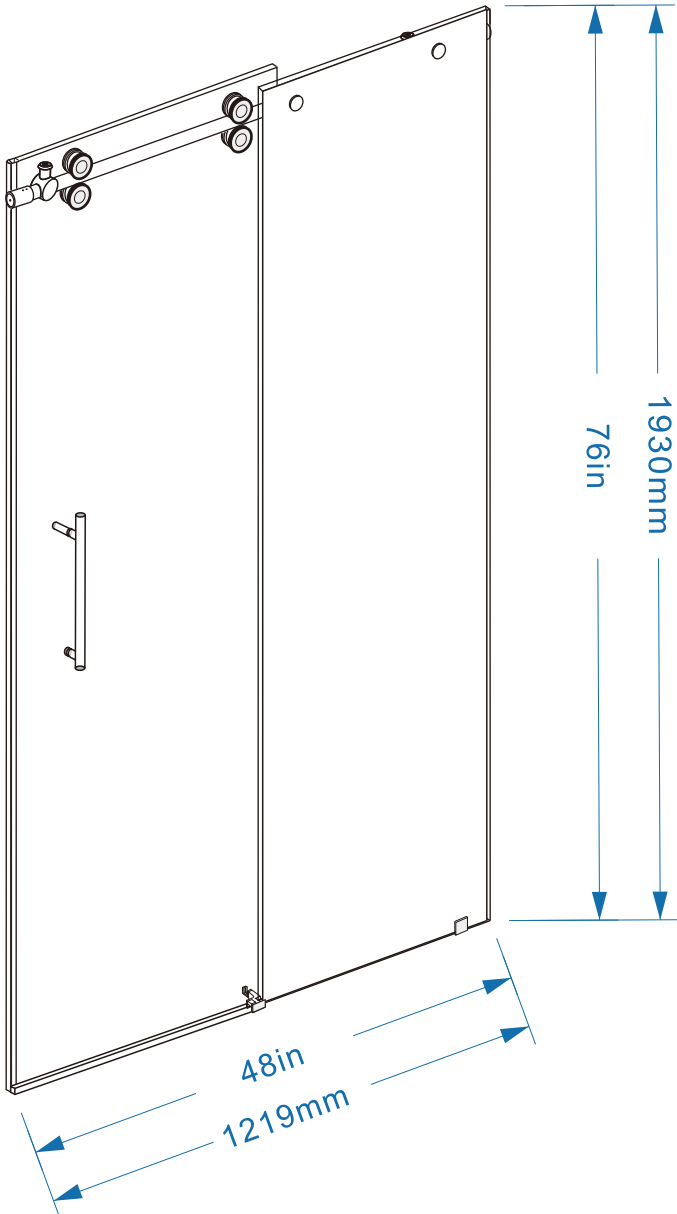


# Install Instruction

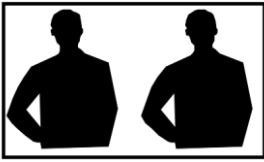
## Shower enclosure

DY-374Y-R-48-76B

DY-374Y-R-48-76L



## PREPARATION



You will need at least two people to install this unit properly. Before beginning assembly of product, make sure all parts are present. Compare parts with package contents list and hardware contents list. If any part is missing or damaged, do not attempt to assemble the product.

### WARNING

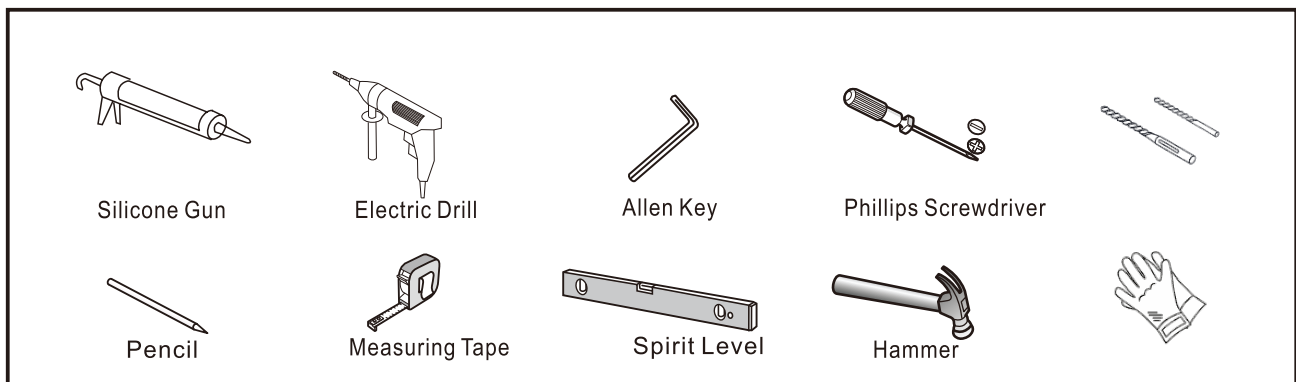
**STRONGLY RECOMMENDS THIS INSTALLATION BE COMPLETED BY A LICENSED PROFESSIONAL.**

**INSTALLATION OF DOOR UNIT REQUIRES AT LEAST TWO PEOPLE.**

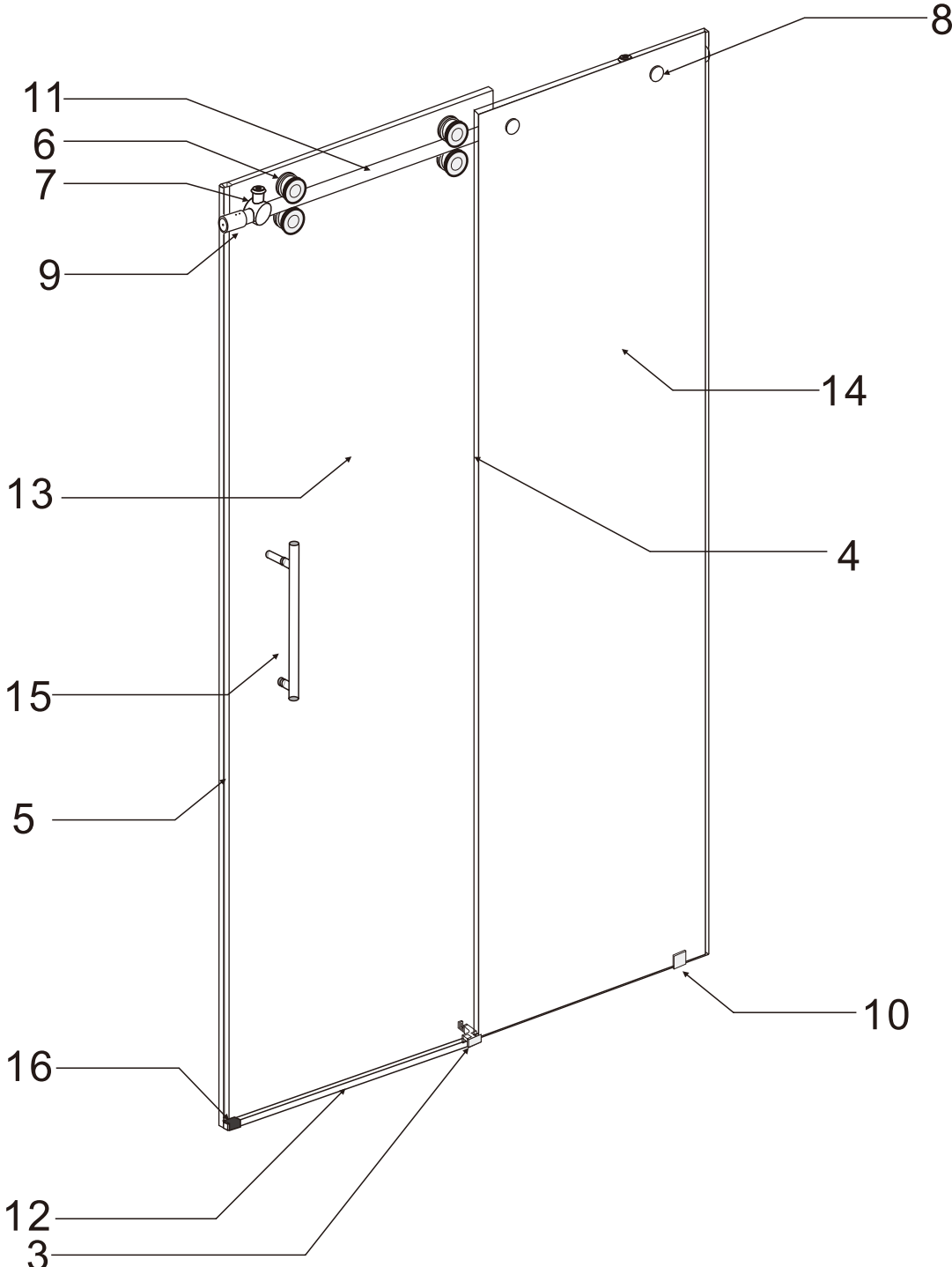
**INSTALLATION OF THE SHOWER DOORS BY AN INEXPERIENCED PERSON MAY RESULT IN GLASS BREAKAGE AND CONSEQUENTLY, CAUSE PERSONAL INJURY OR DEATH.**

- Handle fragile items with care to prevent personal injury or material damage.
- The glass panels are tempered and cannot be cut. Never attempt to do so.
- Always rest glass on a level surface.

### TOOLS REQUIRED (not supplied)

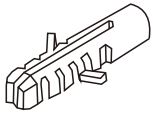



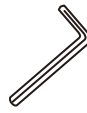
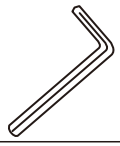
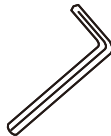
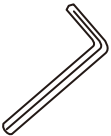


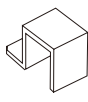
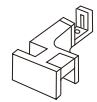






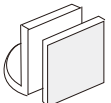
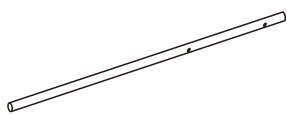
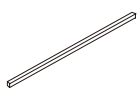
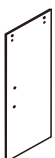




DY-274Y-Y-60-60B  
DY-274Y-Y-60-76B



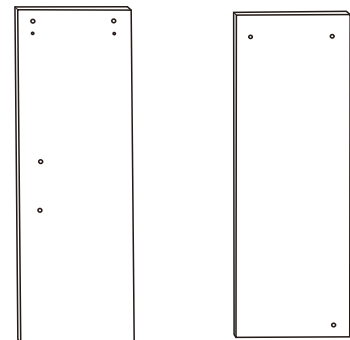
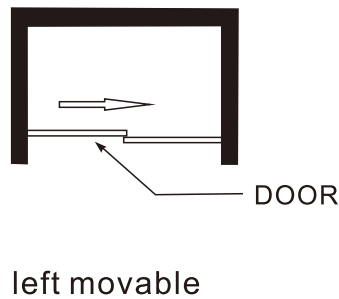
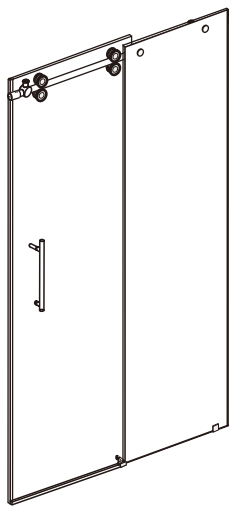
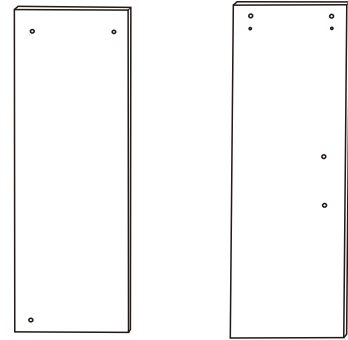
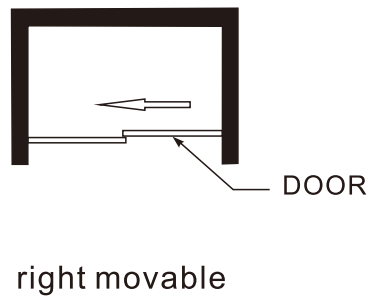
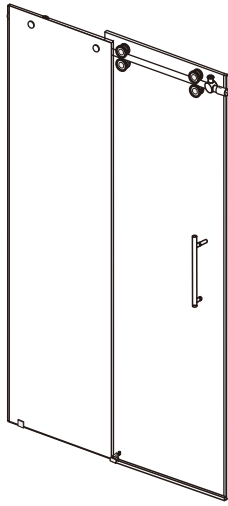
Note: Installation must be carried out by a qualified and licensed professional.

# Installation\_Instructions

<b>1-1</b> Plastic Anchor  (5 PCS)	<b>1-2</b> 4.5*30 Screws  (2 PCS)	<b>1-3</b> 4*16 Screws  (3 PCS)
<b>1-4</b> Allen Key 2.5mm  (1 PCS)	<b>1-5</b> Allen Key 3mm  (1 PCS)	<b>1-6</b> Allen Key 4mm  (1 PCS)
<b>1-7</b> Allen Key 5mm  (1 PCS)	<b>1-8</b> Allen Key 6mm  (1 PCS)	<b>1-9</b> 8mm Screw Cover  (4 PCS)
<b>1-10</b> Plastic Anchor  (1 PCS)		<b>2</b> Threshold Extension Cilp  (1 PCS)
<b>3</b> Door bottom Guide  (1 PCS)	<b>4</b> Waterproof Tape  (2 PCS)	<b>5</b> Waterproof Tape  (1 PCS)
<b>6</b> Roller  (4 PCS)	<b>7</b> Door Stopper  (2 PCS)	<b>8</b> Fixed Panel Holder  (2 PCS)
<b>9</b> Wall Mount Bracket  (2 PCS)	<b>10</b> Fixed Panel Bottom Clip  (1 PCS)	<b>11</b> Structural Rail  (1 PCS)
<b>12</b> Door Threshold  (1 PCS)	<b>13</b> Glass Door Panel  (1 PCS)	<b>14</b> Stationary Glass Panel  (1 PCS)
<b>15</b> Handle  (1 PCS)		

Note: Installation must be carried out by a qualified and licensed professional.  
 The actual quantity of accessories used shall be subject to the instruction manual.

MODEL DY-374Y-R-48-76B  
 DY-374Y-R-48-76L



## ⊘ IMPORTANT

- Fiberglass, acrylic or sheetrock construction might not be sufficiently strong enough to support the shower door enclosure. You should use the wood framing from behind the face edge of the stall to provide a secure mounting to the door. Apply a bead of silicone between the walls and base of the stall.
- For optimum performance, you should install the shower door perfectly level on a level surface. By not leveling the unit during construction the unit may leak causing possible water damage.

**BEFORE INSTALLATION:** If needed, remove the plastic layer of the base border. Do not remove the plastic layer off the plastic platform of the base. Wall and base joints must be siliconed properly.

### **PLEASE NOTE:**

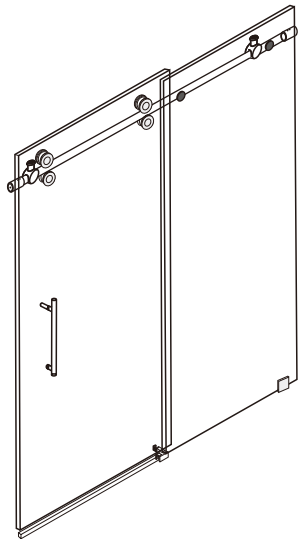
THE CLEAR GLASS MODEL HAS A REVERSIBLE DOOR AND CAN BE INSTALLED TO THE RIGHT OR LEFT SIDE. (SEE CONFIGURATION DIAGRAM BELOW)

See suggestion of configuration below.

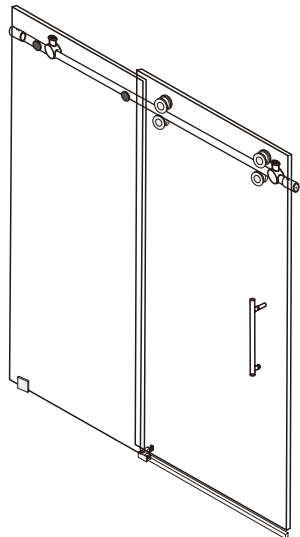
# INSTALLATION MANUAL

⚠ If necessary, change the direction of the door opening.  
Use an allen key 5mm(1-6) to loosen the top screw of the door stopper (#7).  
The door stopper(#7) can be reversed to change the direction of the door opening.

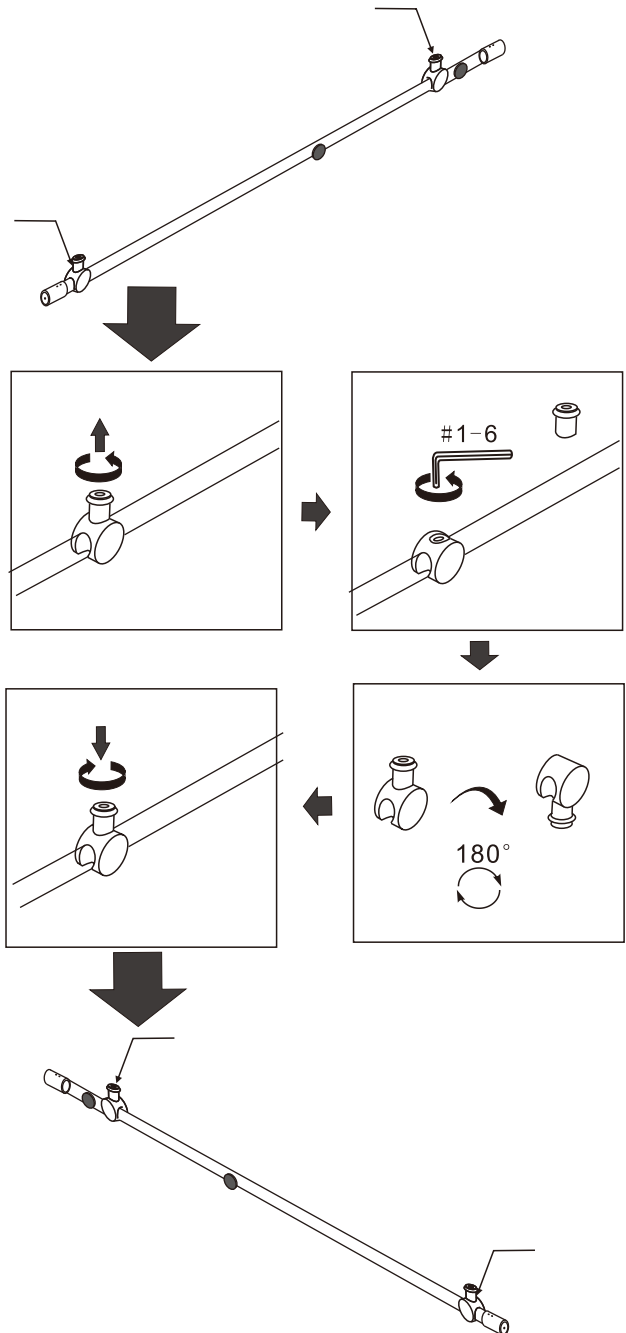
When the door is left movable, the components should be arranged as shown in the diagram:



Left installation



Right installation

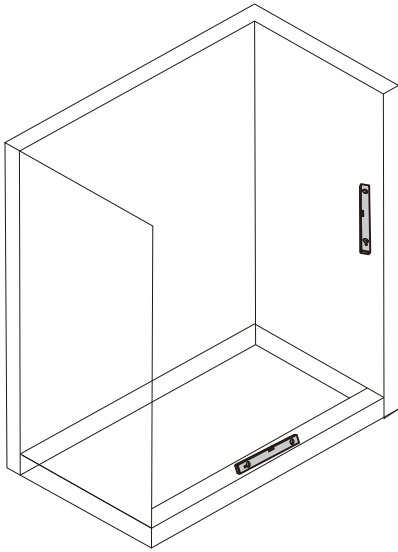


When the door is right movable, the components should be arranged as shown in the picture:

# INSTALLATION MANUAL

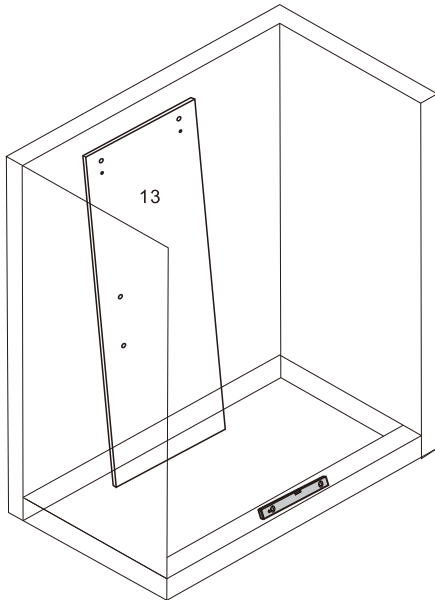
1

Determine the installation position and adjust the base to ensure that the ground is horizontal and the wall is vertical.



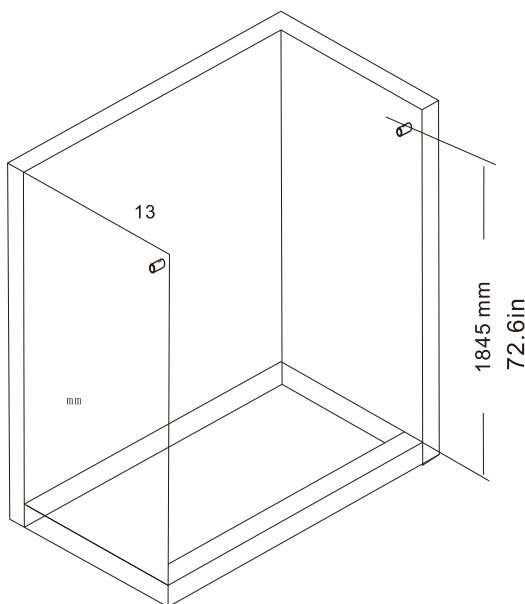
2

Place the glass door panel (#13) into the shower (pay attention to the direction of the handle holes) to prevent the glass door panel (#13) from being placed after the stationary glass panel (#14) is installed.

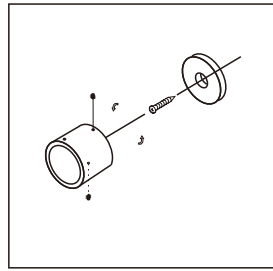
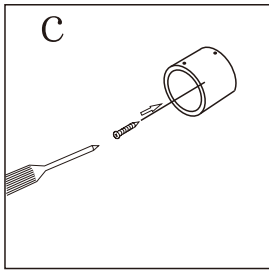
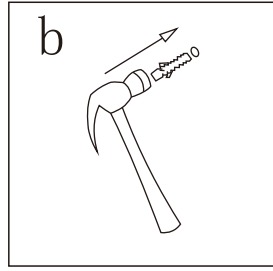
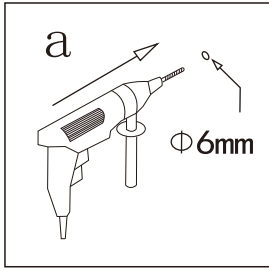


3

Measure 1845mm from the ground using a tape measure on both sides of the wall. Draw a horizontal line with a pencil. Place the center of the wall mount bracket (#9) on the marked horizontal line, and mark the screw holes with a pencil at the center (there are 2 screw holes on both sides of the wall). The center corresponds to the centerline of the stone foundation.

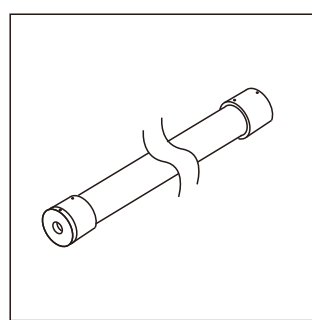
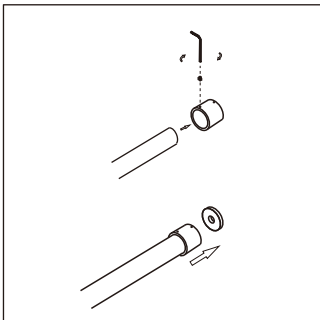
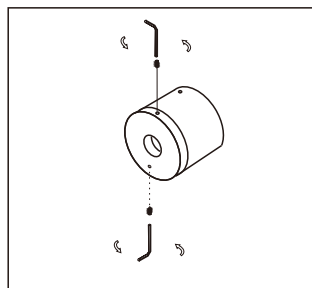
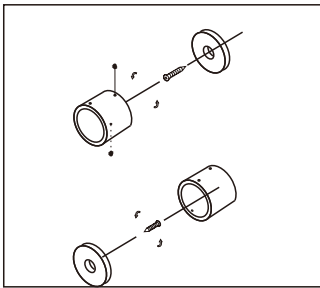


# INSTALLATION MANUAL



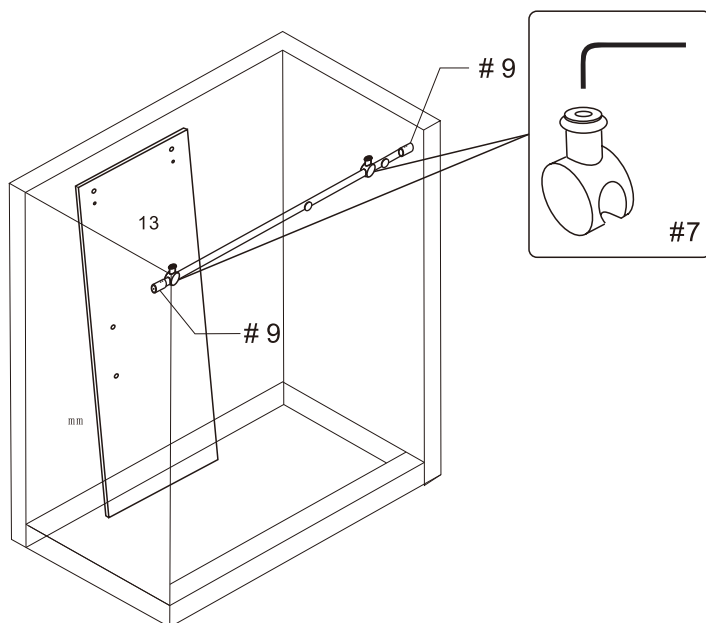
**4**

Use the same method to mark the other wall.  
 a. Use an electric drill to drill a 6mm hole at the mark.  
 b. Insert the plastic anchor (#1-1).  
 c. Use screw (#1-2) to install a wall mount bracket (#9) at wall.



**5**

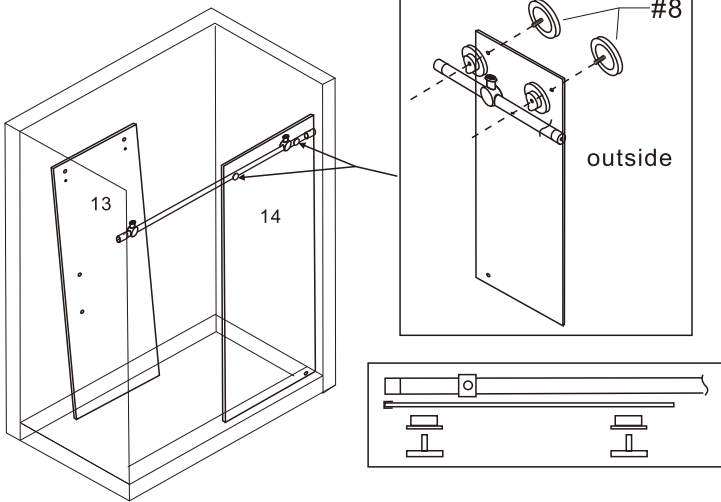
Use allen Key 2.5mm (#1-4) to loosen the screw of the wall mount bracket (#9) to remove the round pipe sleeve. Usually, only one side needs to be opened for placing the structural rail (#11) on one side.



**6**

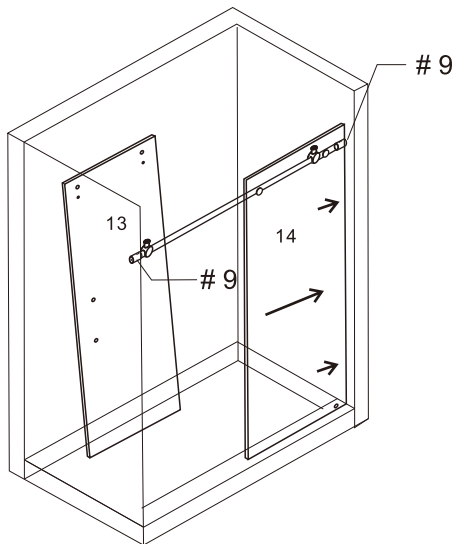
Insert the structural rail (#11) into the upper wall mount bracket (#9). Pay attention to the direction of the structural rail (#11): the fixed panel holder (#8) is on the side of the fixed glass (#14). Use a allen key 4mm (#1-6) to loosen the screw of the door stopper (#7) to adapt to the on-site direction.

# INSTALLATION MANUAL



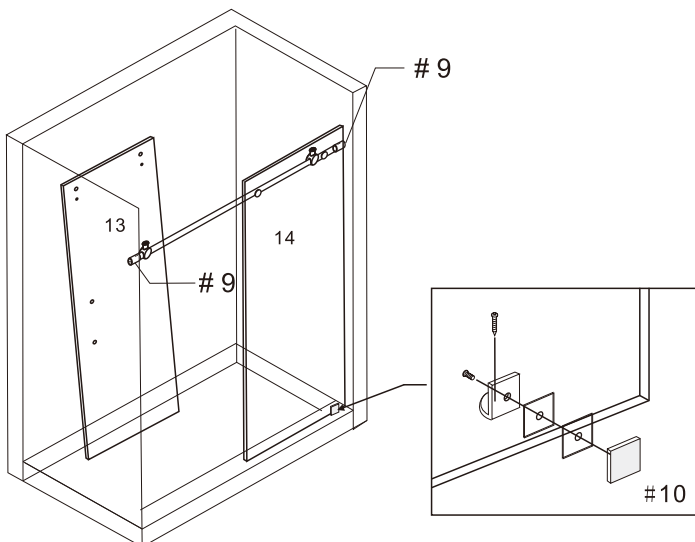
**7**

Use an allen key 6mm (1-8) to open the fixed panel holder(#8).  
Install the stationary glass panel (#14).



**8**

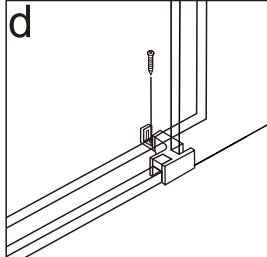
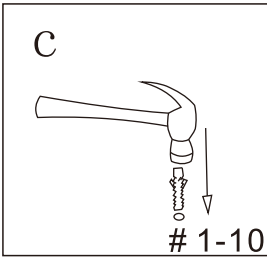
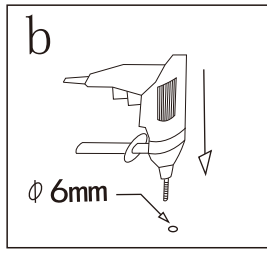
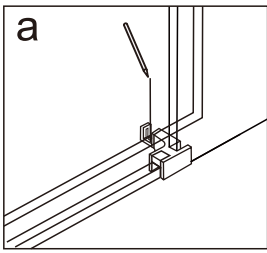
a. Push the fixed glass Panel(#14) against the wall, tighten the screws on the wall mount bracket(#9) with a allen key(#1-4) to secure the structural rail(#11).  
b. Check and make sure the fixed glass Panel(#14) is perpendicular to the floor with a spirit level.



**9**

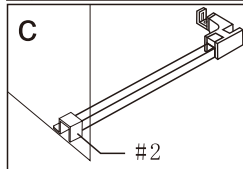
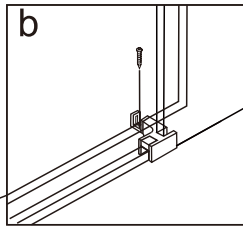
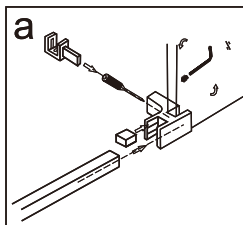
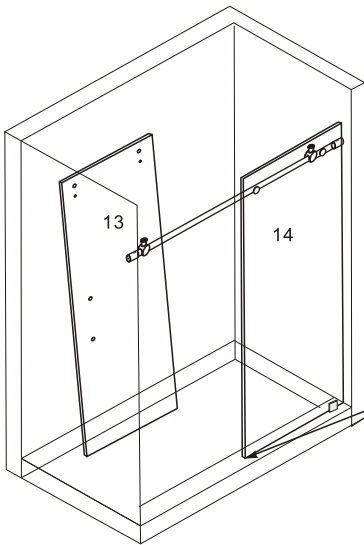
a. First, use an allen Key 4mm (1-6) to disassemble the fixed panel bottom clip (#10).  
b. Align the clip(#10) with the hole below the glass, and mark the screw hole on the ground with a pencil.  
c. Drill a 6mm hole at the ground mark and insert a plastic anchor (1-1).  
d. Fix the fixed panel bottom clip (#10) with screws (1-3).

# INSTALLATION MANUAL



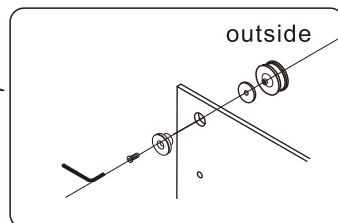
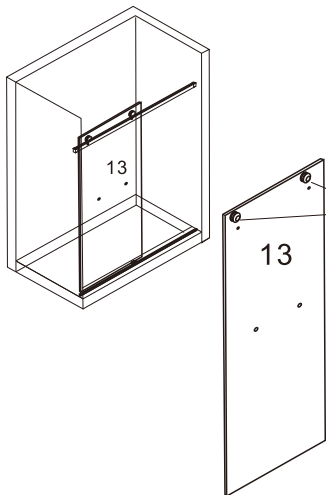
**10**

- Mark with a pencil at the screw hole of the door bottom guide (# 3).
- Use an electric drill to drill a 6mm hole at the marked area.
- Insert the wall sealant plug (# 1-10).
- Install the door bottom guide (# 3) with 4 \* 20 screws (# 1-3).



**11**

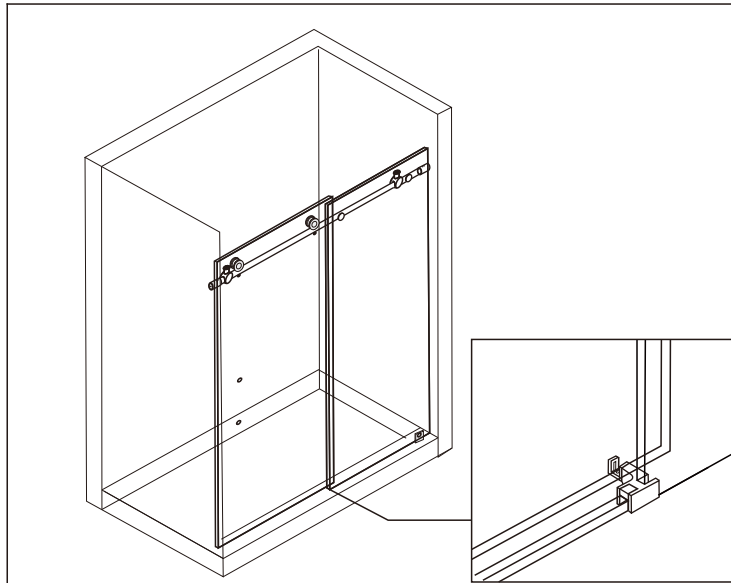
- Use an allen key 3mm (1-5) to open the screw on the side of the door bottom guide (# 3) and separate the components.
- And clamp the fixed glass (# 14) with the door bottom guide (# 3), then combine the components by tightening the internal screws to clamp the glass, and then tighten the screws on the side of the door bottom guide (# 3) with (1-5).
- If the length of the door threshold (# 12) is not enough, a threshold extension cilp (# 2) can be placed at one end for expansion.



**12**

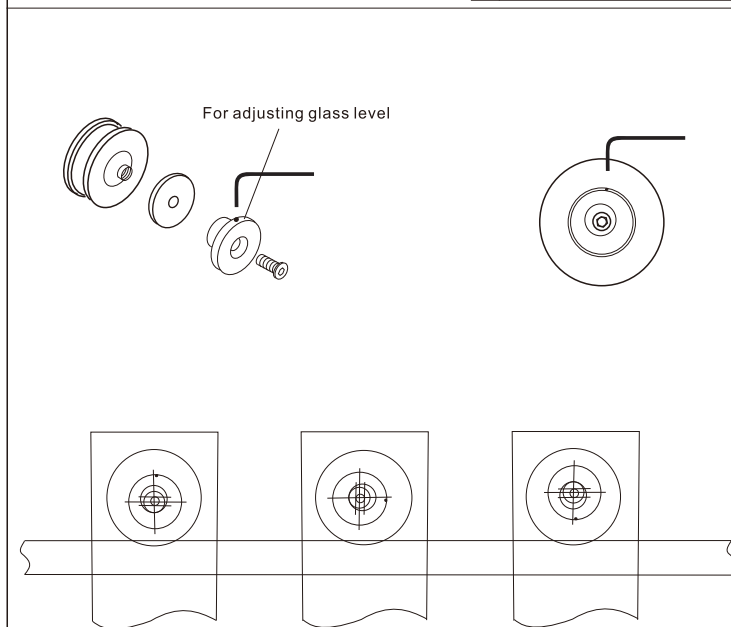
- Install roller (# 6) on the previously placed glass door panel (# 13). (Note that the roller (# 6) is installed on the outside of the glass)
- Installation steps: Unscrew the back cover of the roller (# 6), use an allen key 4mm (1-6) to remove the large hex screw, thread the screw through the hole at the top of the glass door panel (# 13), and tighten the screw. (When unscrewing the roller, hold your fingers against the middle core to prevent rotation)

# INSTALLATION MANUAL



**13**

Lift the glass door panel (# 13) with installed pulleys and hang it onto the structural rail (# 11) from the inside. At the same time, insert the bottom of the glass door panel(# 13) into the groove of the door bottom guide (# 3).



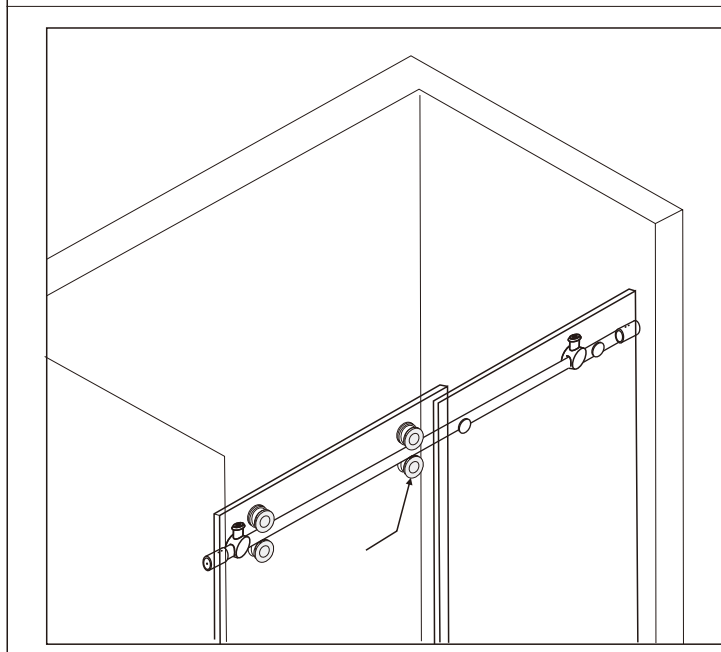
For adjusting glass level

**14**

Adjust the balance of the glass door panel:

1. use allen key 4mm (1-6) to loosen a little bit of the hex screw (not removed, only adjusting the tension for adjustment).

2. Then insert the allen key into the small hexagonal hole as shown in the picture, and adjust it by rolling to the right or left until the glass is completely perpendicular to the wall.



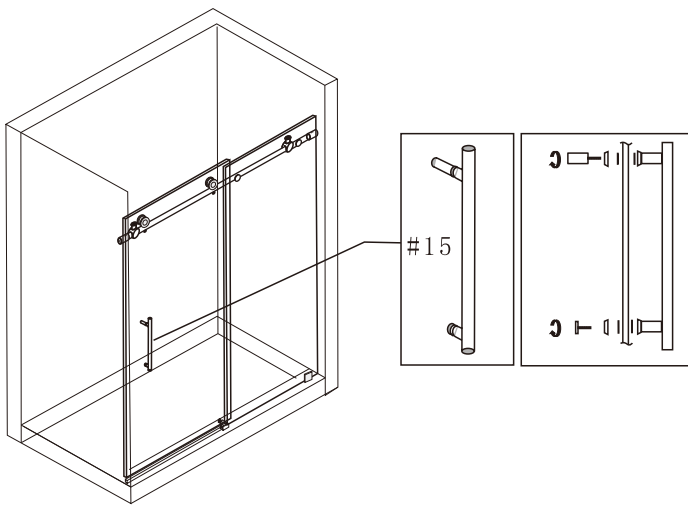
**15**

According to the method in step ten □ install the remaining two rollers (# 6) on the glass door panel (# 13) .

# INSTALLATION MANUAL

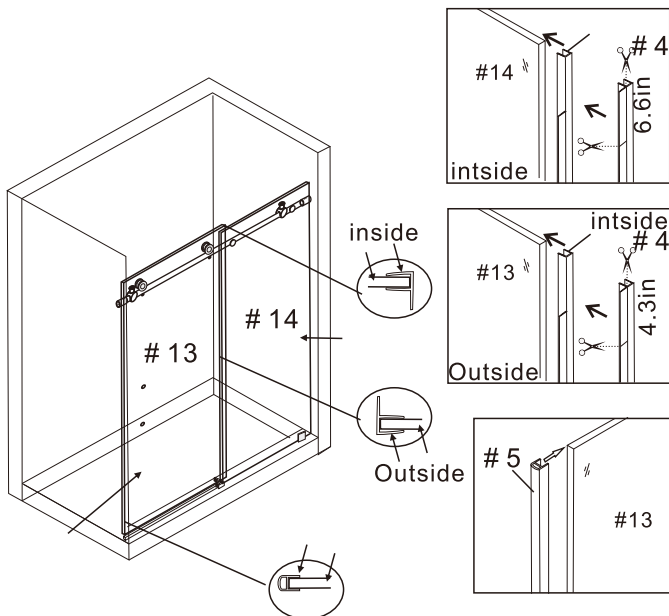
**16**

Installation handle(#15):  
Rotate the handle back seat counterclockwise, install the handle on the outside of the glass door panel(#13), and tighten the nut clockwise from the inside of the glass door.



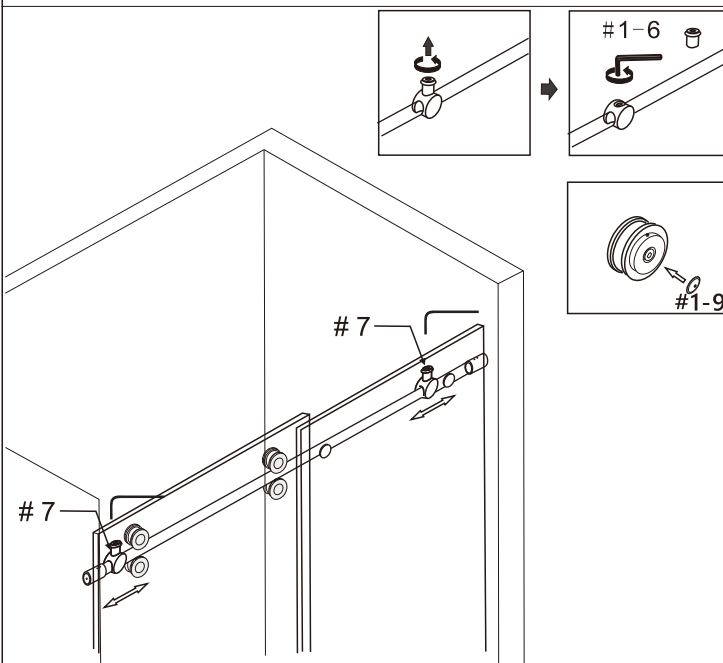
**17**

Install a waterproof tape (# 5) on one side of the glass door panel (# 13) near the handle, and a waterproof tape (# 4) on the other side; Install the waterproof tape (# 4) into the stationary glass panel (# 14) at the position shown in the figure. During installation, use scissors to cut off any soft edges that may collide with the roller and accessories.

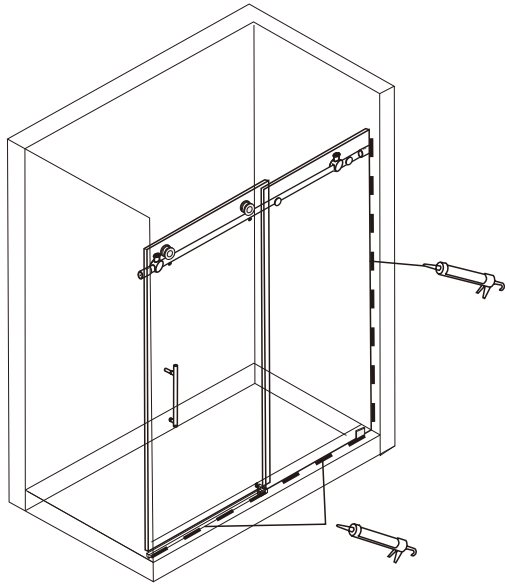


**18**

1. Use allen key 4mm (1-6) to loosen the screw at the top of the door stopper (# 7), which can be moved to adjust the stop position of the movable door glass.  
2. After installation and adjustment, cover the back of each roller with 8mm screw cover (# 1-9);



## MAINTENANCE AND CARE



\* Do not use the enclosure for at least 24 hours.



Apply clear silicone caulking along the floor of the shower enclosure interior and along the fixed panel and threshold of the shower enclosure interior.  
(Note: Both the inside and outside sides are required)

### IMPORTANT

- WAIT 24 HOURS BEFORE USING SHOWER
  - DO NOT ALLOW WATER TO DIRECTLY HIT DOOR SEAL STRIPS.
- CLEANING INSTRUCTIONS FOR THE SHOWER CABIN AND DOOR PANEL

1. Use a mild liquid household cleaner to keep metal surfaces bright and clean. Rinse well and dry with a soft, clean cloth.
2. Remove dust with a soft, damp cloth.
3. Use a standard household window cleaner to clean the glass panels.
4. A water beading treatment, similar to what you would use on an automobile windshield, can be used on the inside of the glass to keep it looking brand new.
5. Use rubbing alcohol to clean and remove grease, oil, paint and ink.
6. Should you accidentally scratch or stain your shower enclosure, use a liquid automobile polish to remove.

### IMPORTANT

1. DO NOT use abrasive cleaners, scrapers, metal brushes or any items that could scratch or dull the surface.
2. DO NOT allow surface to come in contact with acetone (nail polish remover), dry cleaning solution, lacquer thinner, gasoline or other similar products.

### REGULAR CARE AND MAINTENANCE OF YOUR SHOWER ENCLOSURE

Your home is a moving entity, shifting and settling over time. We understand this and has designed their shower enclosures with this in mind. It is the responsibility of the homeowner or end user to maintain the integrity of their newly installed enclosure, using the integrated adjustability features. In order to keep your shower enclosure in optimal working condition, recommends regularly inspecting your enclosure and tightening any hardware that may have loosened during use. This simple step will insure optimal results from your shower enclosure for many years to come.