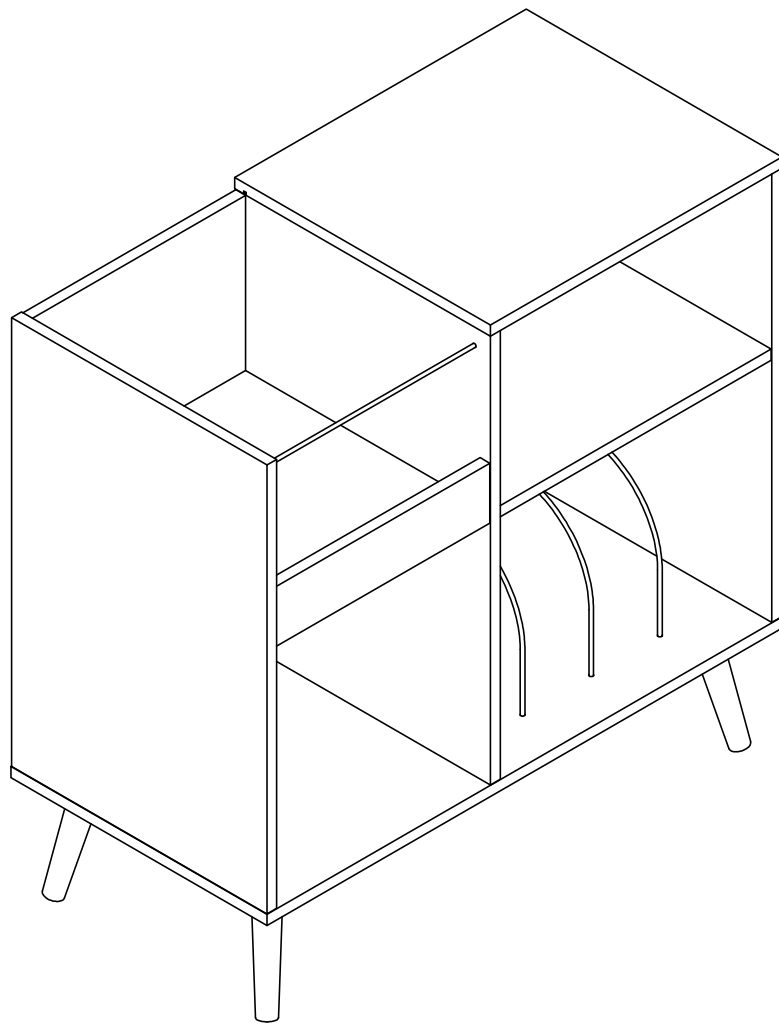


Installation Instruction



Assembling

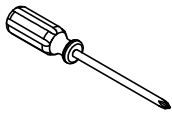
Estimated time for assembly



45 : 00

What you need

- Use the packaging carton as a working surface to prevent product damage during assembly
- Phillips head screwdriver



Weight Limitation



100

lbs table top

| 35

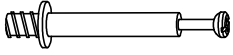
lbs per

What' included

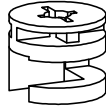
Code	Description	Qty
A	Cam Bolt M6X35MM	19
B	Cam Lock 15X12MM	19
C	Wooden Dowel M8X30MM	20
D	Screw M4X40MM	8
E	Screw M3.5X14MM	22
F	Five hole iron sheet	4
G	Nylon Strap	2
H	Screw M3.5X14MM	10
I	Foot nail	4
J	The back button	8
K	Anchor	2
L	Extension cord	1
M	Circular hole Decals	19

The Hardwares

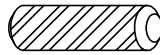
(A)



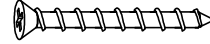
(B)



(C)



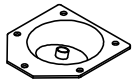
(D)



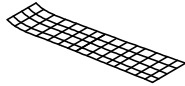
(E)



(F)



(G)



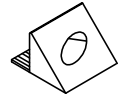
(H)



(I)



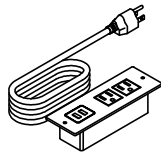
(J)



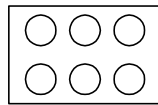
(K)



(L)



(M)



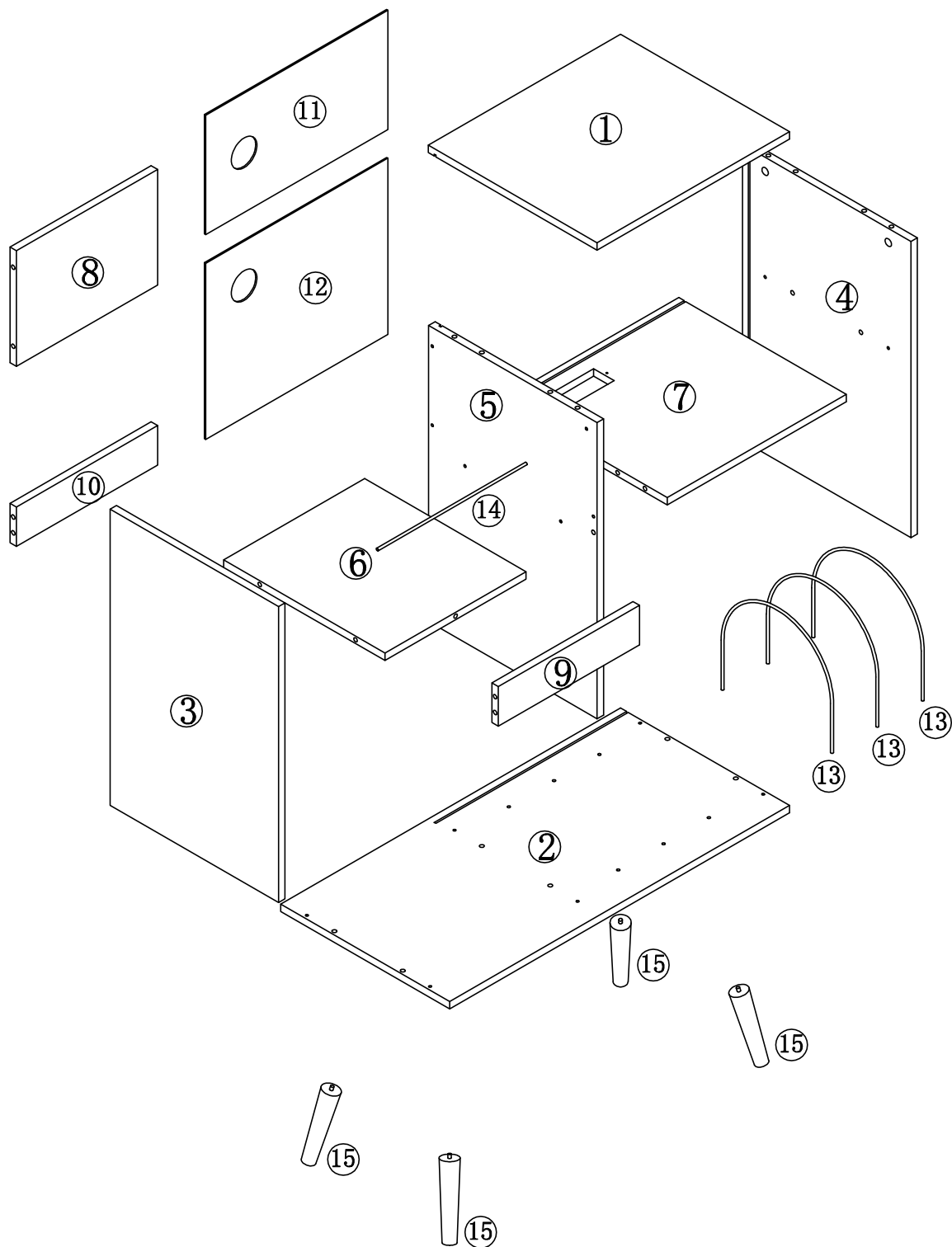
IMPORTANT:

1. Do not tighten bolts / screws completely until all bolts / screws are lined up and inserted into holes.
2. Do not over tighten screws and bolts to avoid stripping
3. Please use hand tools to assemble this product. Do not use power tools.

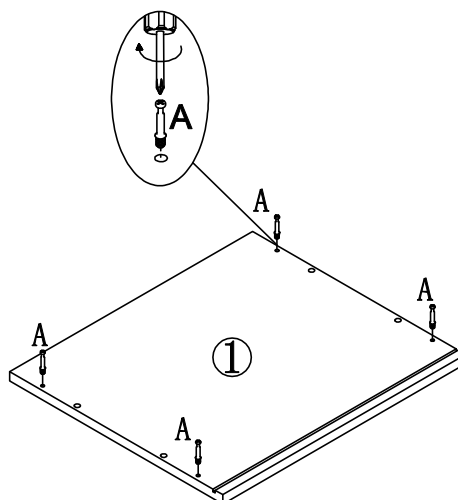
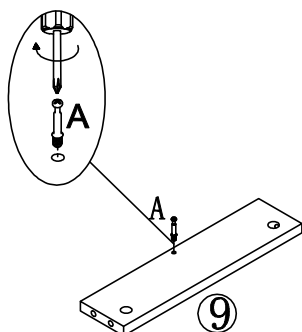
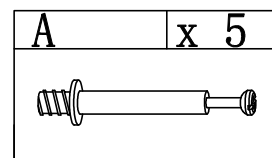
Included Accessories

Code	Description	Qty
1	Cabinet Top	1
2	Bottom Panel	1
3	Left Side Panel	1
4	Right Side Panel	1
5	Neutral plate	1
6	Left deck	1
7	Right-hand shelf	1
8	Top brace	1
9	Front brace	1
10	Back brace	1
11	Epigonotum	1
12	Hypotergite	1
13	Circular bar	3
14	Round bar	1
15	Supporting foot	4

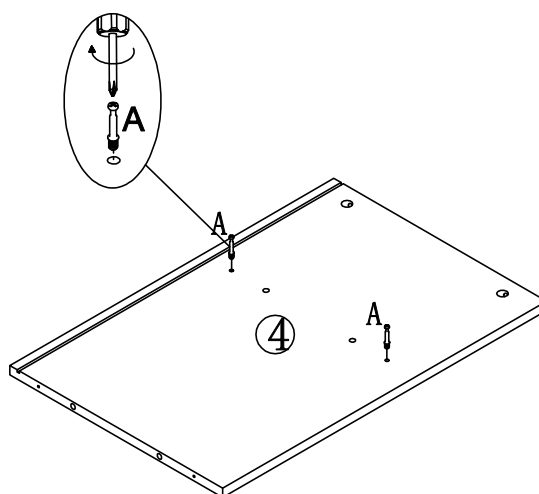
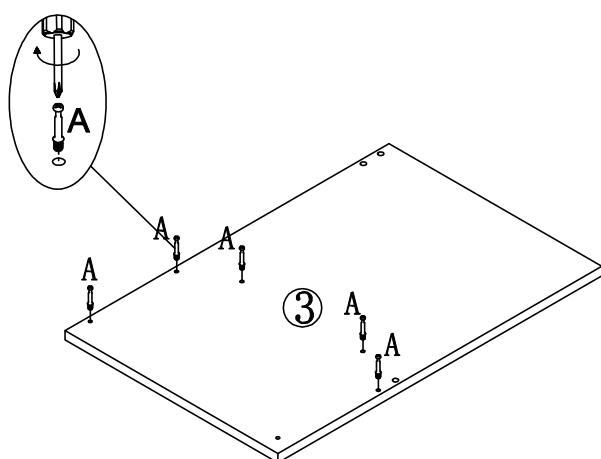
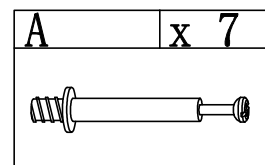
The Accessoriss



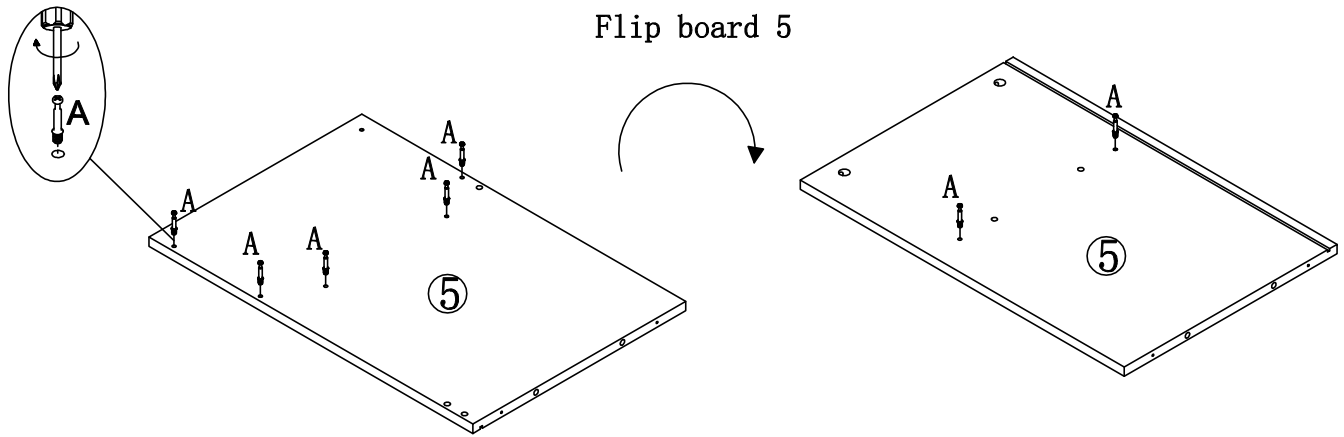
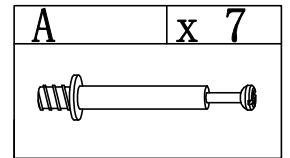
Step 1



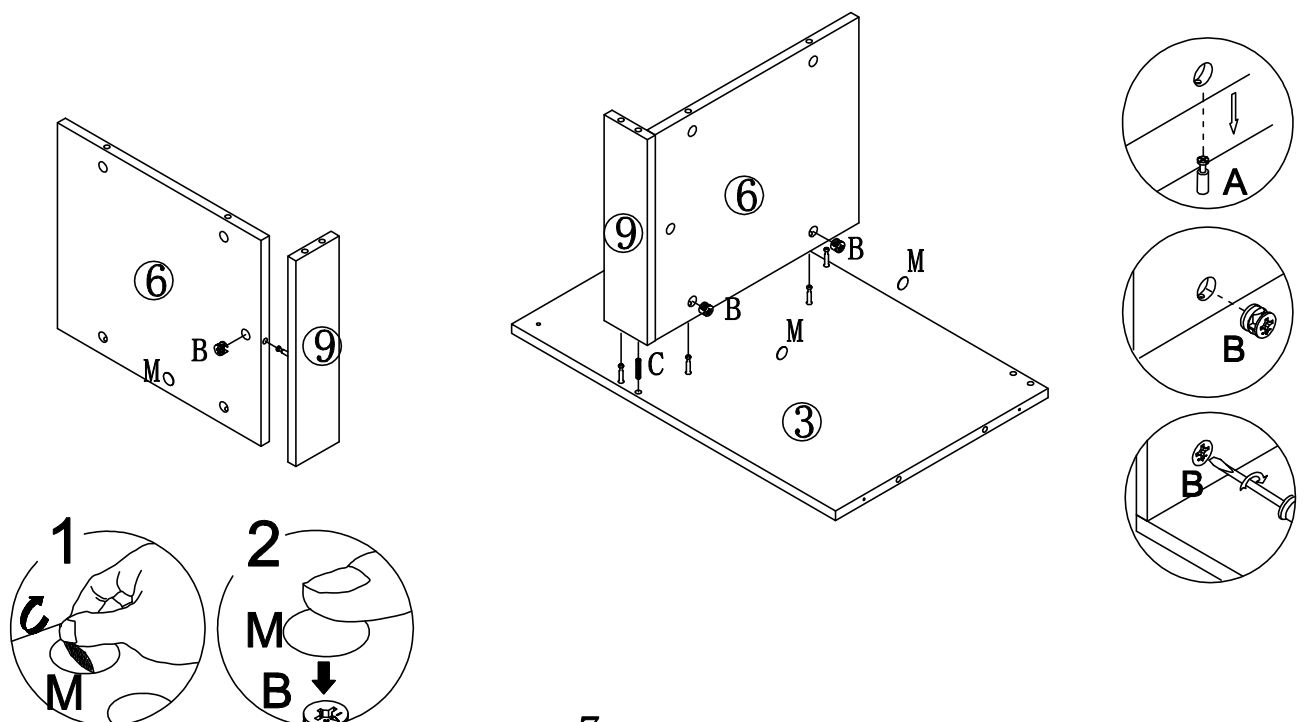
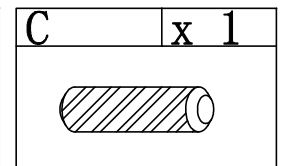
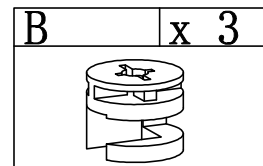
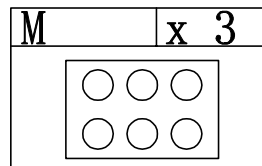
Step 2



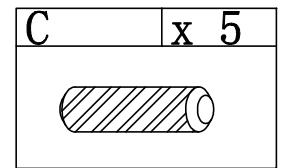
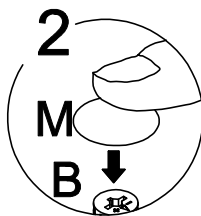
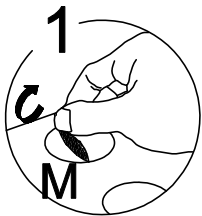
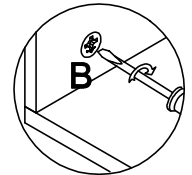
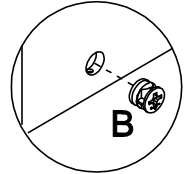
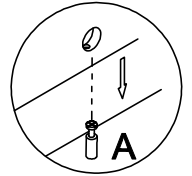
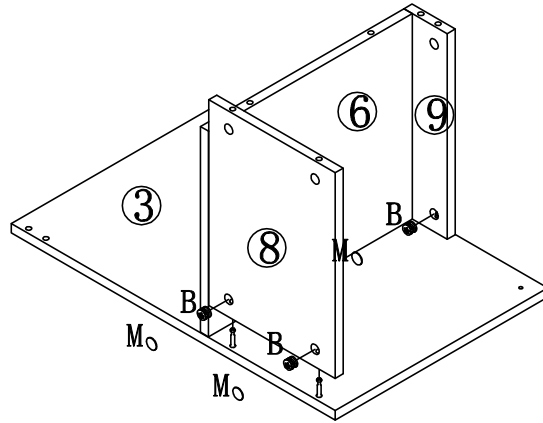
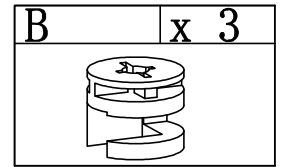
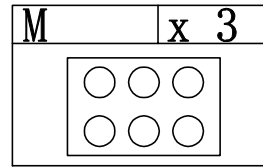
Step 3



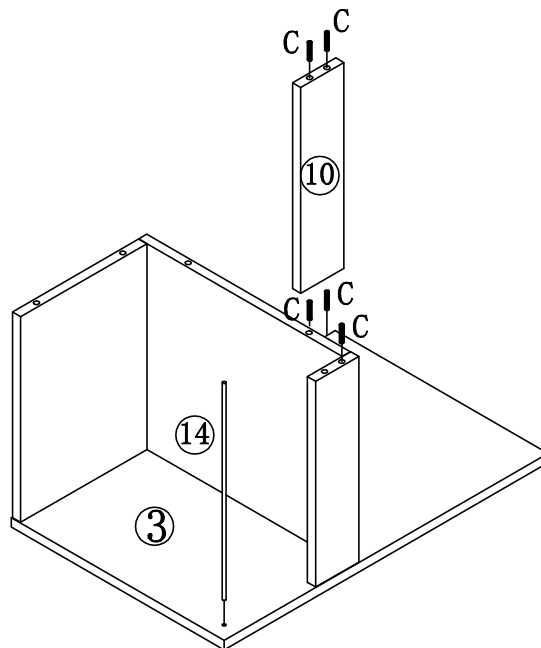
Step 4



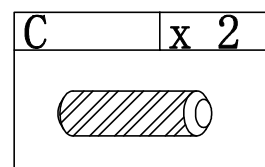
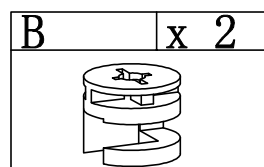
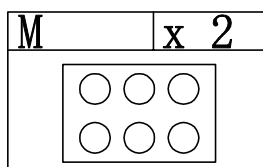
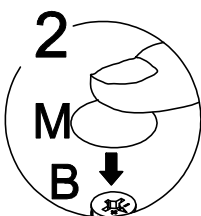
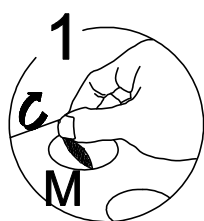
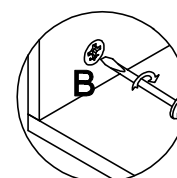
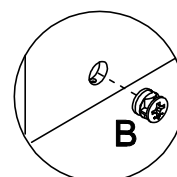
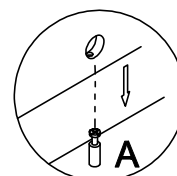
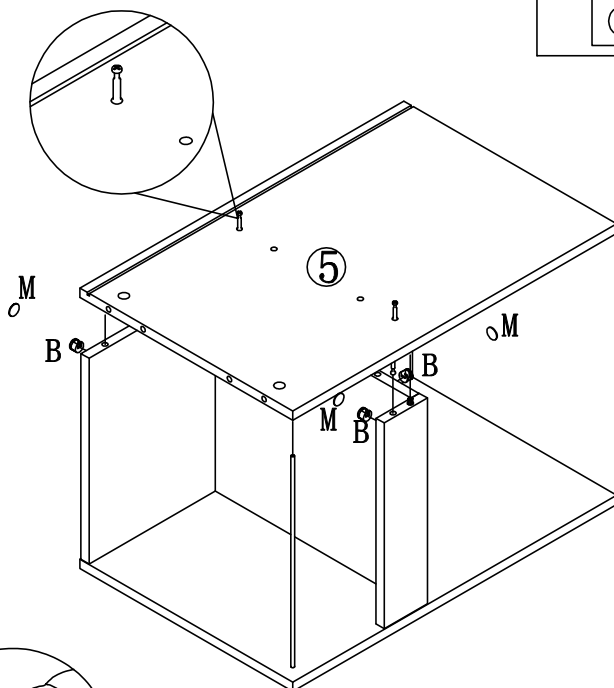
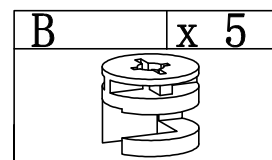
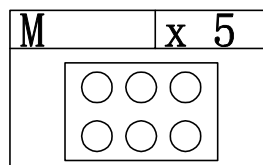
Step 5



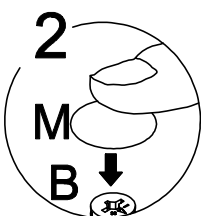
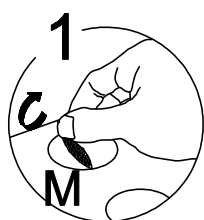
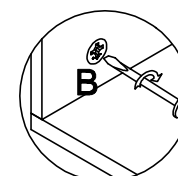
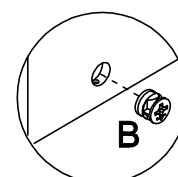
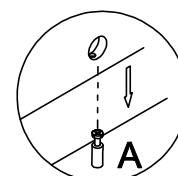
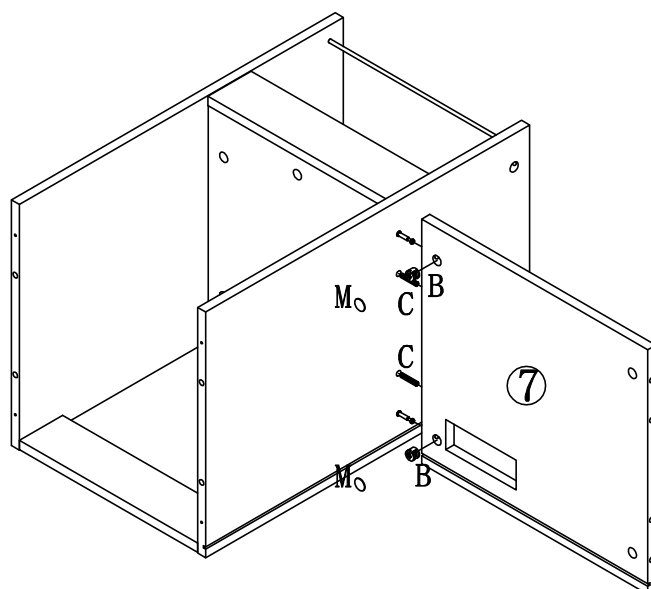
Step 6



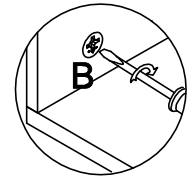
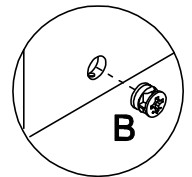
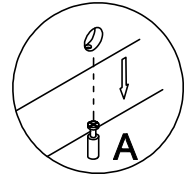
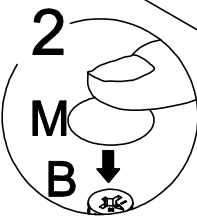
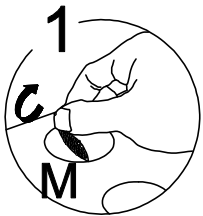
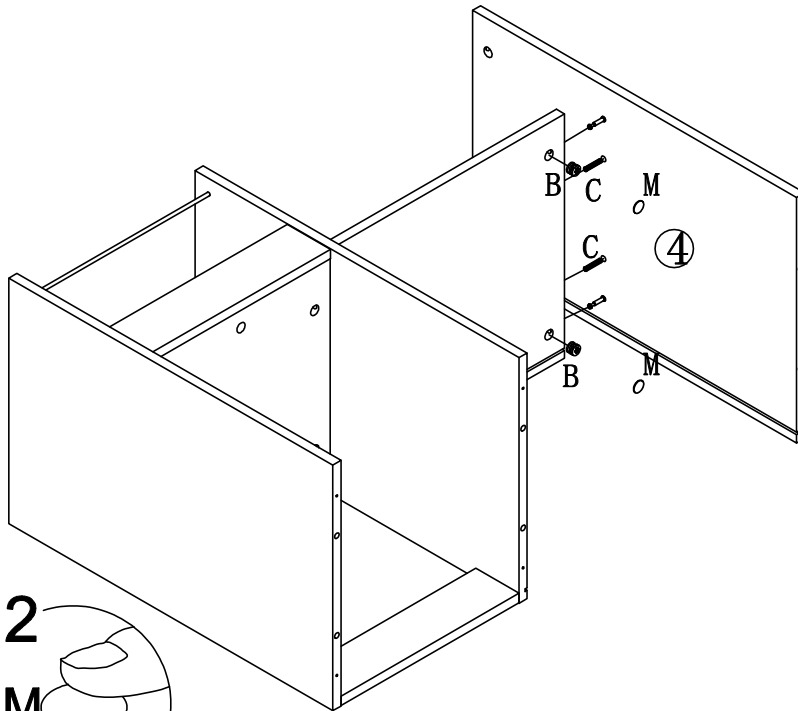
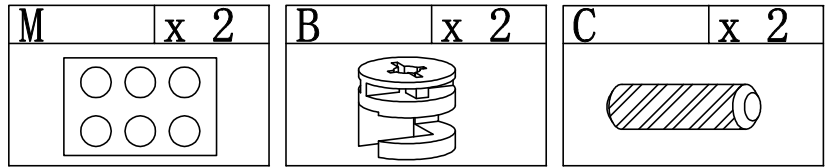
Step 7



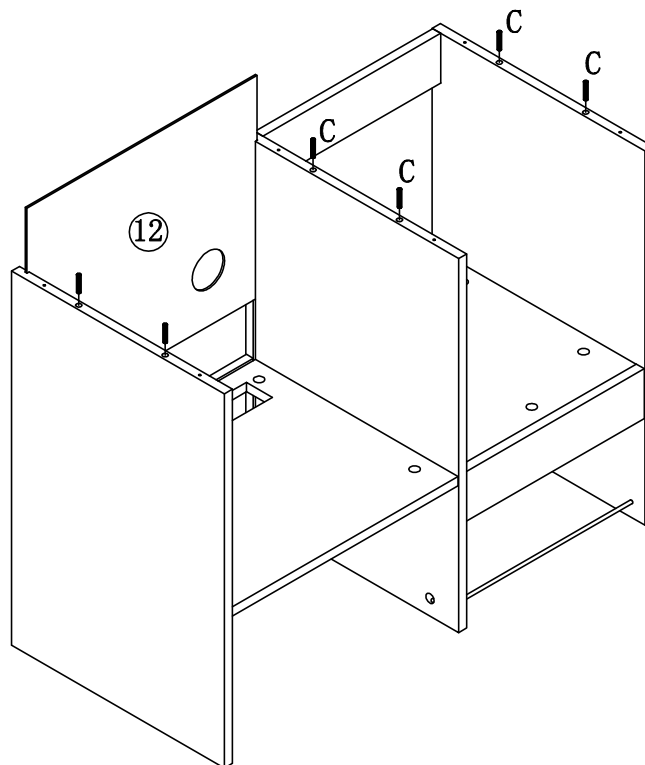
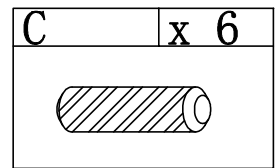
Step 8



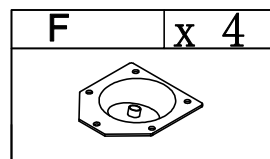
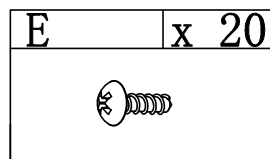
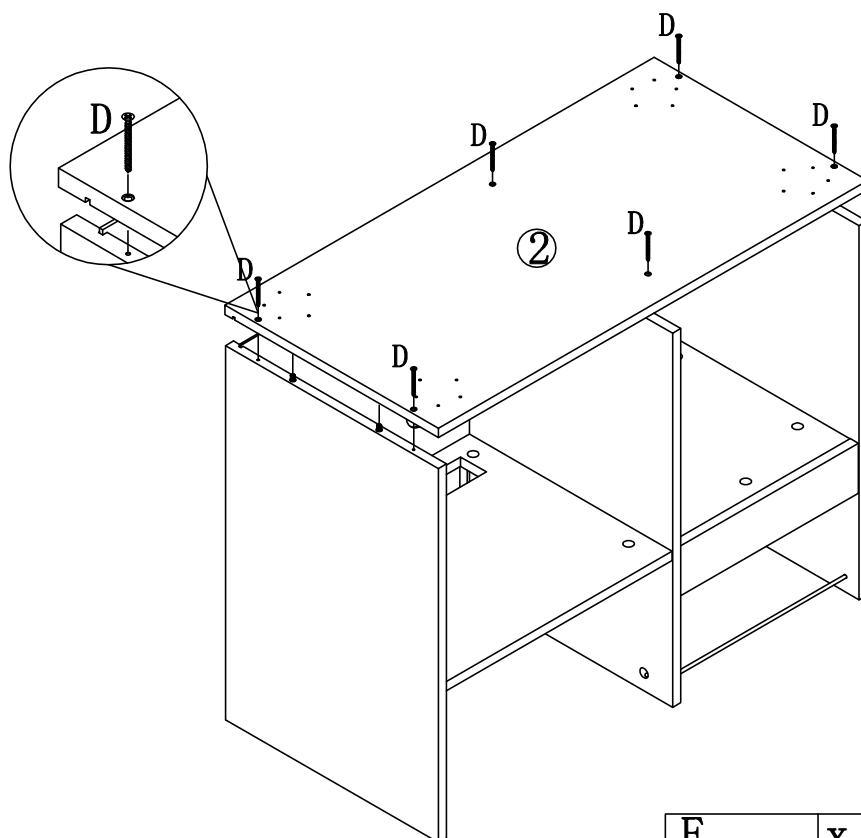
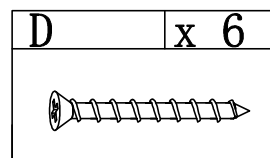
Step 9



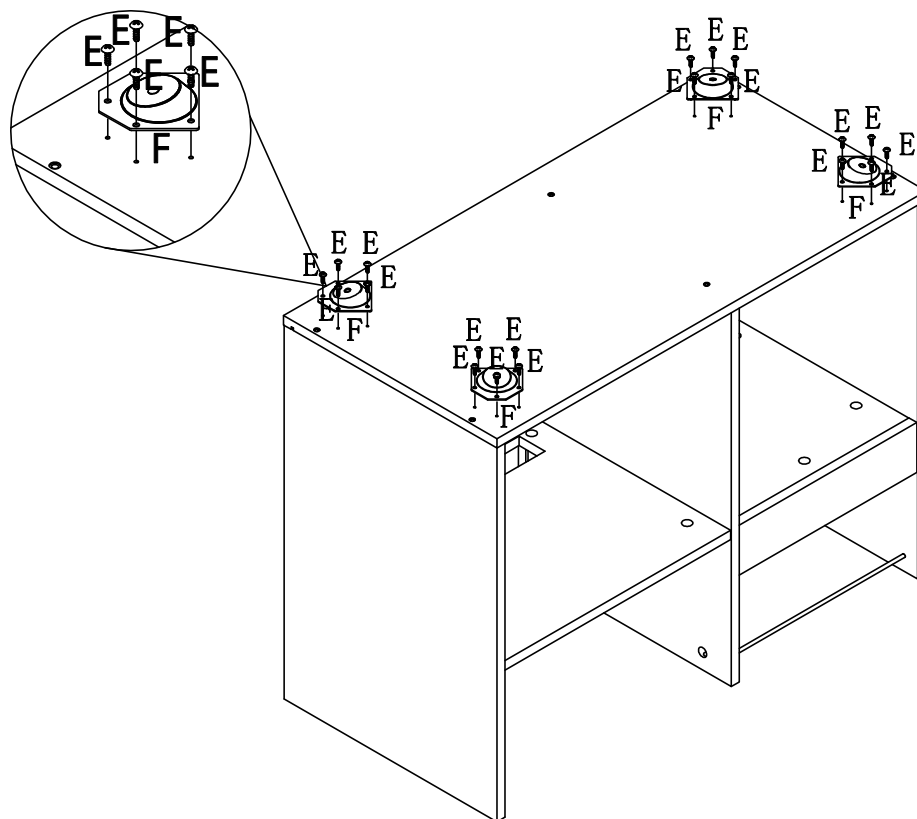
Step 10




Step 11

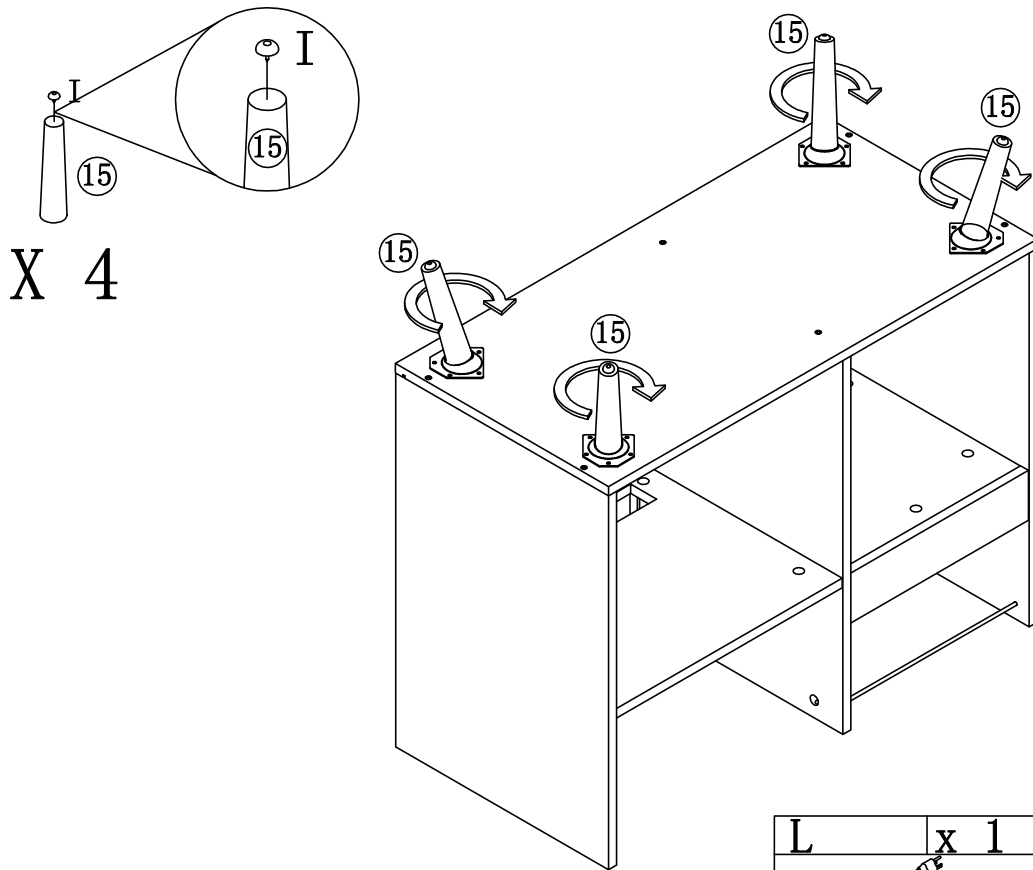


Step 12

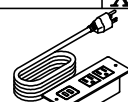



Step 13

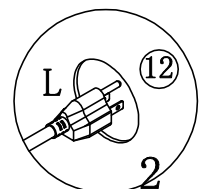
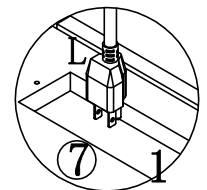
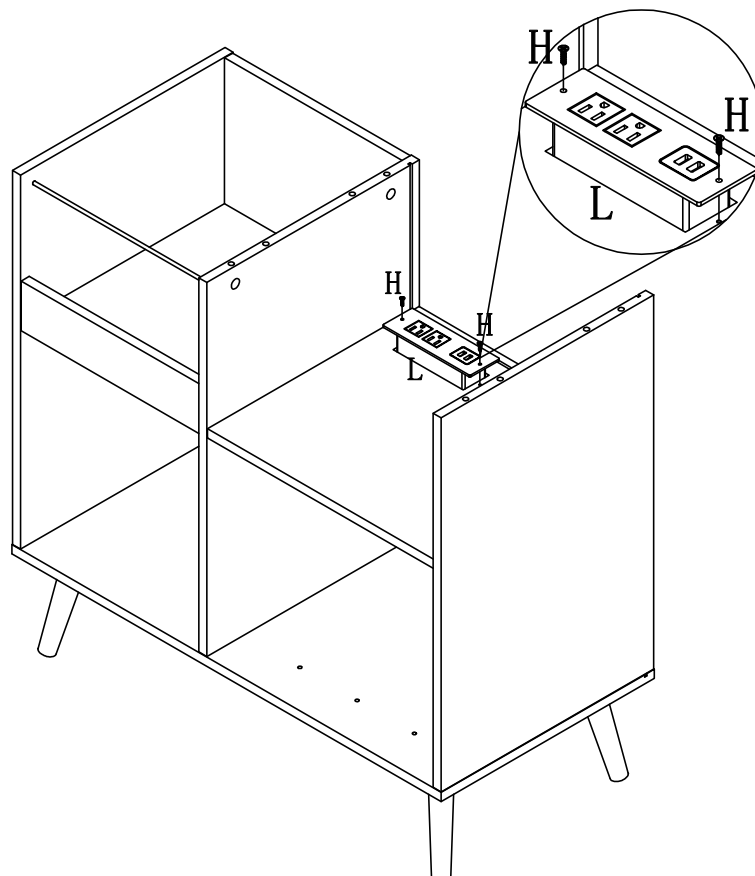
I	x 4
	



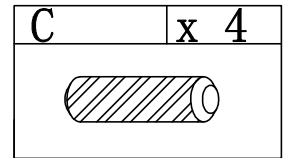
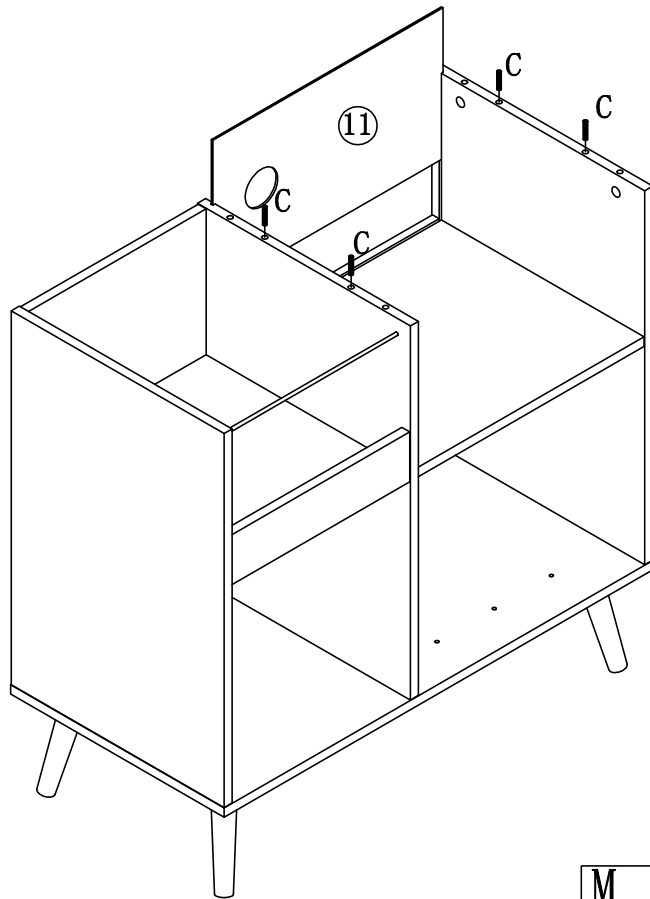
Step 14

L	x 1
	

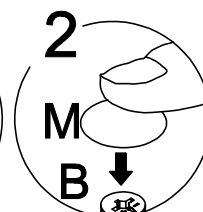
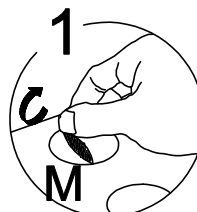
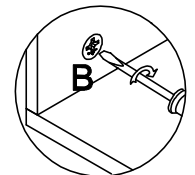
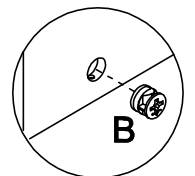
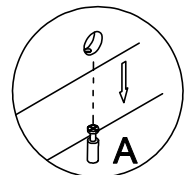
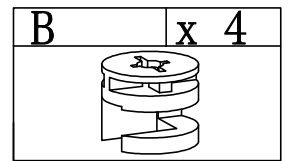
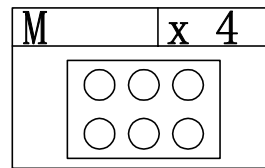
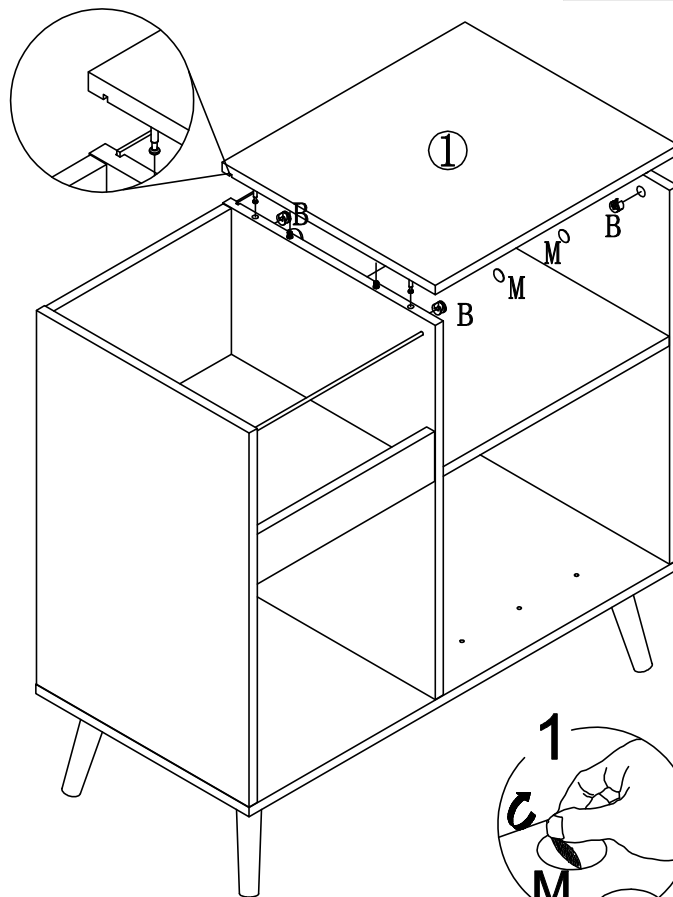
H	x 2
	



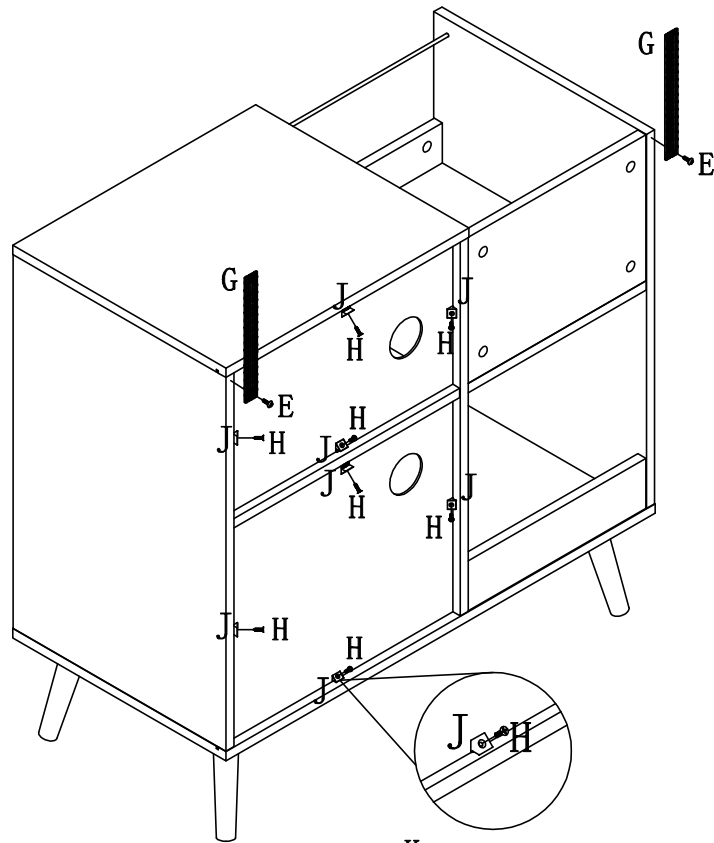
Step 15

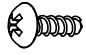


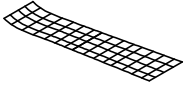
Step 16

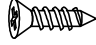


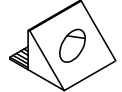
Step 17



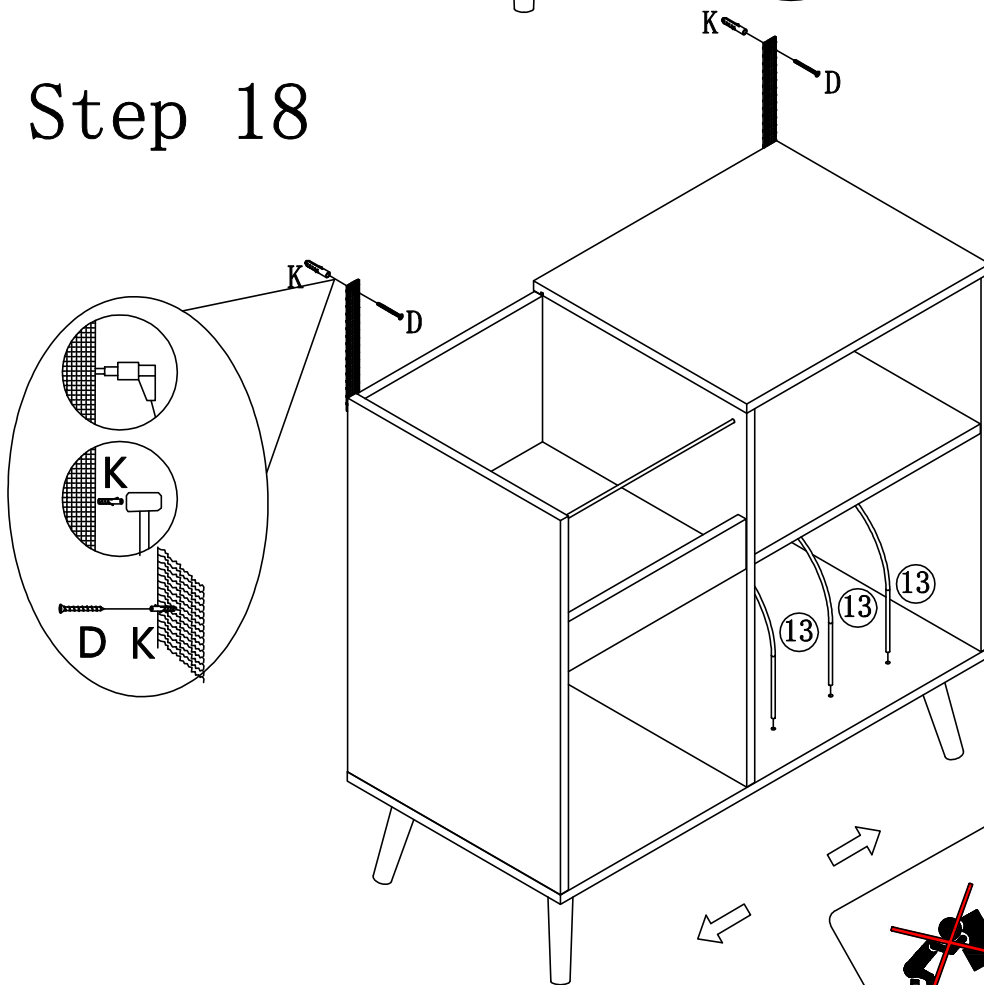
E	x 2
	

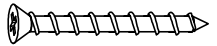
G	x 2
	

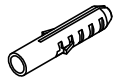
H	x 8
	

J	x 8
	

Step 18




D	x 2
	

K	x 2
	

14



 Two people work together to move the cabinet.
Make sure you lift it off the ground.
Don't push and pull.