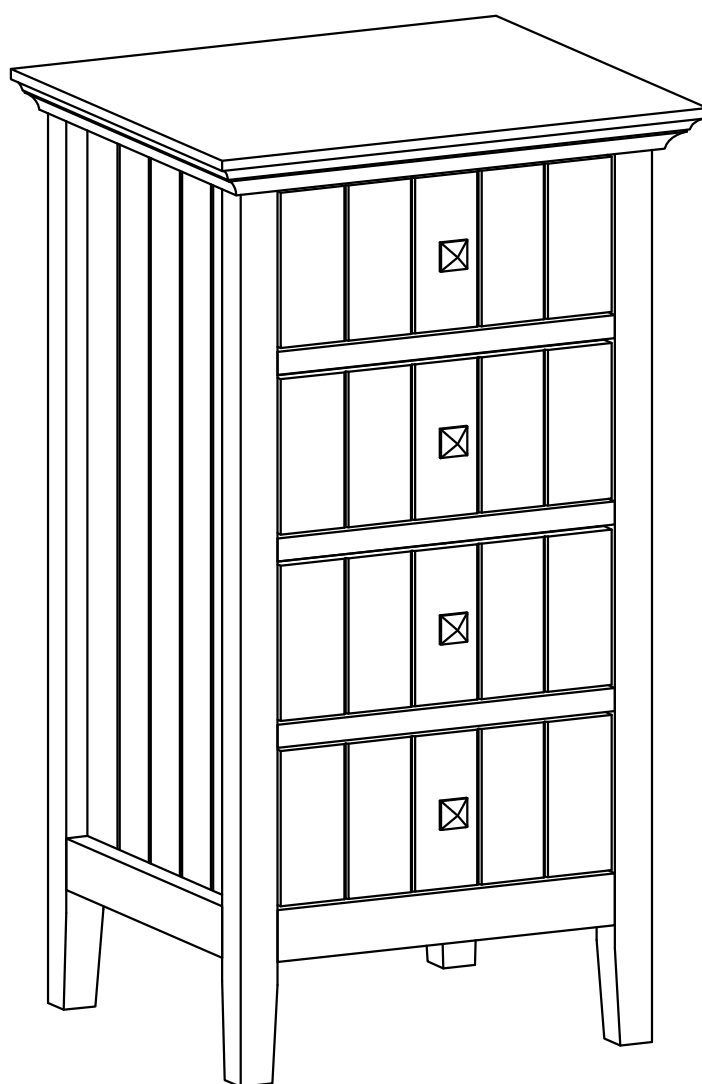


ACADIAN / NORMANDY / BRUNSWICK

4 DRAWER FLOOR CABINET



IMPORTANT : Please read this manual carefully before beginning assembly of this product. Keep this manual for future reference.

SAFETY INFORMATION

CAUTION: Injuries and damage can occur from furniture tip over if product is not properly anchored to the wall. Use the Furniture Anti-Tipping Restraint provided with the product. Consult our assembly instructions for help. If the Furniture Anti-Tipping Restraint kit is not in the box, please contact our customer service department in order to obtain another kit before using the furniture.

Identify all the parts and hardware. Do not discard of the packaging until you have checked that you have all of the parts and hardware required. Hardware package may have spare parts.

WARNING: This item contains small parts which can be swallowed by children and pets. Keep children and pets away during assembly. To avoid danger of suffocation, always keep plastic bags away from children and pets. We recommend that you assemble this unit on a carpeted floor to avoid scratches. If using power tools, set the tool to low torque to avoid damage.

May require 2 people for ease of assembly.

IMPORTANT : Please read this manual carefully before beginning assembly of this product. Keep this manual for future reference.

CARE and MAINTENANCE

Perhaps the greatest environmental damage to wood furniture comes from wide swings in relative humidity (RH) in our homes. Wood absorbs and desorbs water as relative humidity rises and falls, and in doing so it swells and shrinks. Making matters worse, it expands and contracts unequally along different grain directions. As humidity changes, the components of wooden objects are continually pushing and pulling against each other. This pressure often results in parts of furniture no longer fitting together closely or becoming distorted or breaking from their own internal stresses.

The response to relative humidity changes begins with determining the annual average RH for your particular space. Then try to keep the RH in the space where your furniture is as close to that average as possible, generally within about 10% up or down. De-humidify in the summer and humidify in the winter.

Be aware that raising the temperature lowers the humidity and vice versa. Thus, modern heating systems, which can drive down interior RH in the winter, almost invariably cause problems for furniture. To counteract their effect, you can either modify the RH by keeping furniture containing spaces cooler in the winter or most importantly, have a good working humidifier for your home. A humidistat automatically works to balance the humidity in your home so it is constant. Dry indoor air can suck enough moisture from its surroundings to do permanent damage to wood, causing it to crack or split.

Remember, that not all woods are created equal. Two factors that help determine how rapidly a wood will lose moisture are pore size and surface hardness. A piece made from a dense and hard wood will dry less rapidly than pieces made from softer woods.

Furniture that is sealed and lacquered will lose moisture more slowly than an unfinished piece while pieces with veneer finishes are not only stronger, but lose moisture more slowly than other finishes.

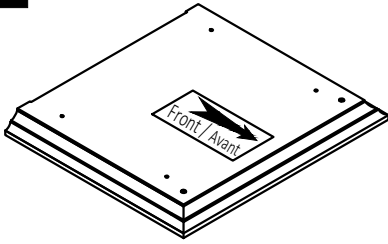
To help protect your wood furniture, take these steps:

- Use a humidifier, preferably one with an automatic control system that can sense the humidity level and adjust itself accordingly. Don't over-humidify; that can damage wood by causing it to expand and contract.
- Keep furniture out of direct sunlight, which can cause it to dry out, crack and warp.
- If you can avoid it, don't put furniture near heating vents. If you must, keep the piece 3 to 4 inches away from the wall, giving the heat and air space to circulate.
- Dust with soft dry cloth.
- Do not use liquid or aerosol products.
- To avoid marking, do not place rubber on surface (foot pads, etc.)
- For soil build-up, wipe with damp cloth & dry.
- Do not use abrasive cleaners.

PRE-ASSEMBLY INFORMATION

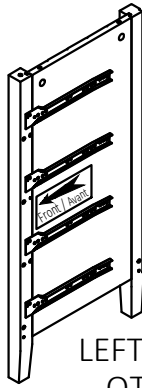
PART DESCRIPTION

A



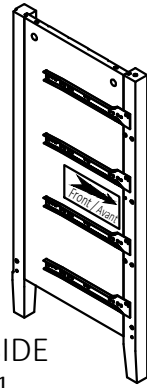
TOP
QTY 1

BL



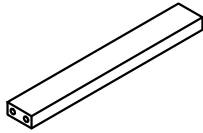
LEFT SIDE
QTY 1

BR



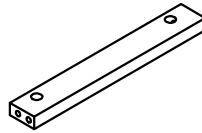
RIGHT SIDE
QTY 1

C



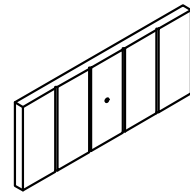
CROSS BAR
QTY 2

D



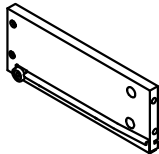
CROSS BAR
QTY 3

E



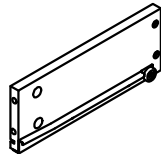
DRAWER FRONT
QTY 4

FL



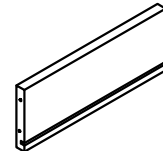
LEFT DRAWER SIDE
QTY 4

FR



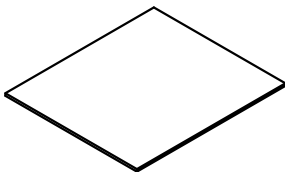
RIGHT DRAWER SIDE
QTY 4

G



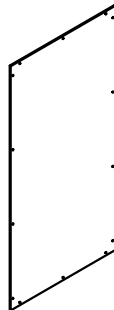
DRAWER BACK
QTY 4

H

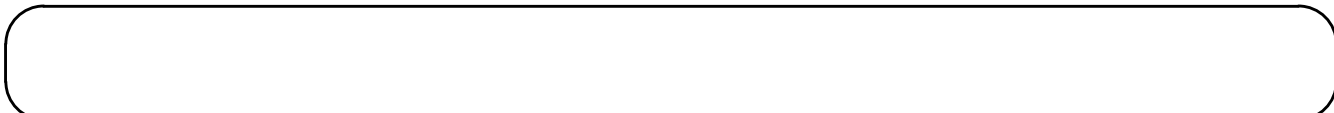


DRAWER BOTTOM
QTY 4

I



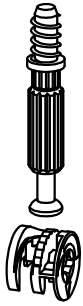
BACK PANEL
QTY 1



PRE-ASSEMBLY INFORMATION

HARDWARE DESCRIPTION

1



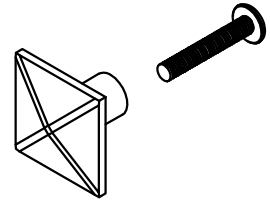
CAM LOCK PIN
CAM LOCK
QTY 26 SETS

2



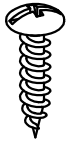
WOOD DOWEL
Ø8 X 30mm
QTY 16

3



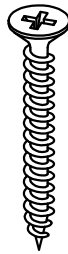
HANDLE
M4x25mm
QTY 4 SETS

4



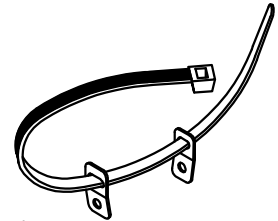
PHILLIPS SCREW ROUND HEAD
M4 X 15mm
QTY 14




5



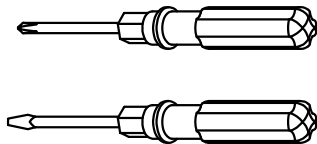
PHILLIPS SCREW
M4 X 40mm
QTY 16

6

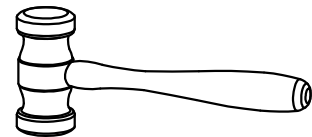


- a.  M4 X 25mm - QTY 2
(1 is extra)
- b.  M4 X 15mm - QTY 1
- c.  M4 X 25mm - QTY 1

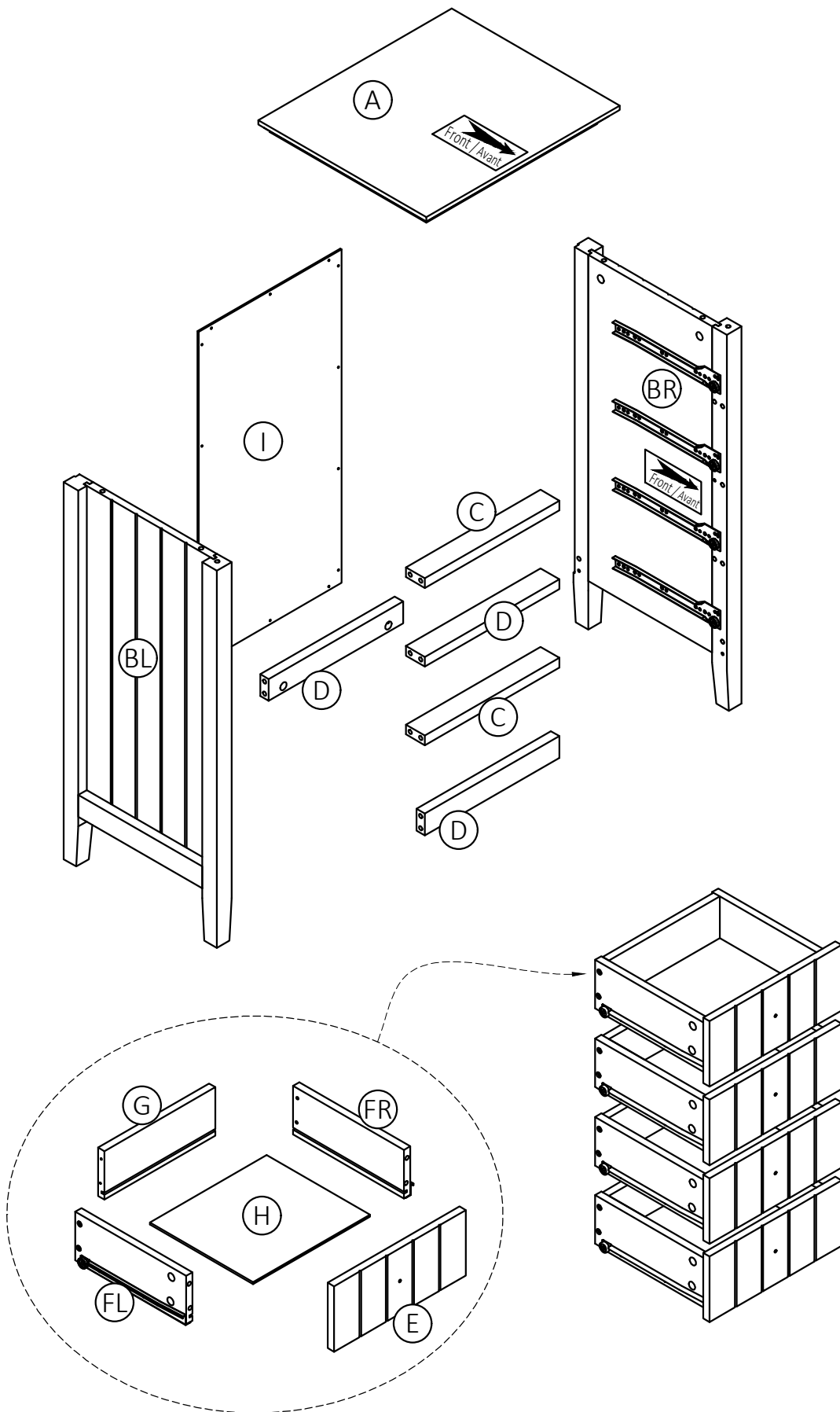
FURNITURE TIP OVER RESTRAINT
QTY 1 SET



Required -
Flathead screwdriver
Phillips screwdriver
Rubber mallet
Not Included

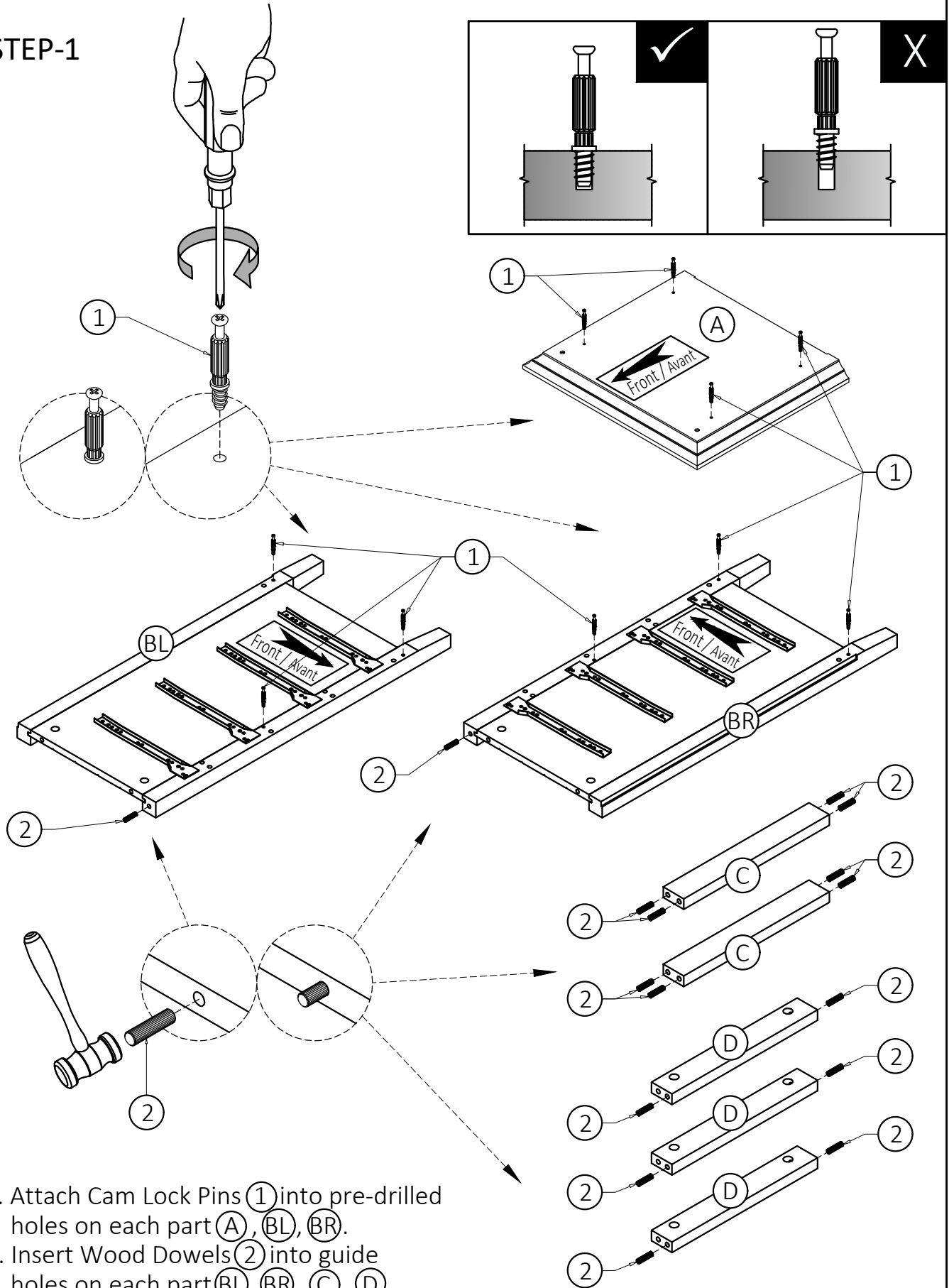


COMPONENTS-KEY DIAGRAM



ASSEMBLY

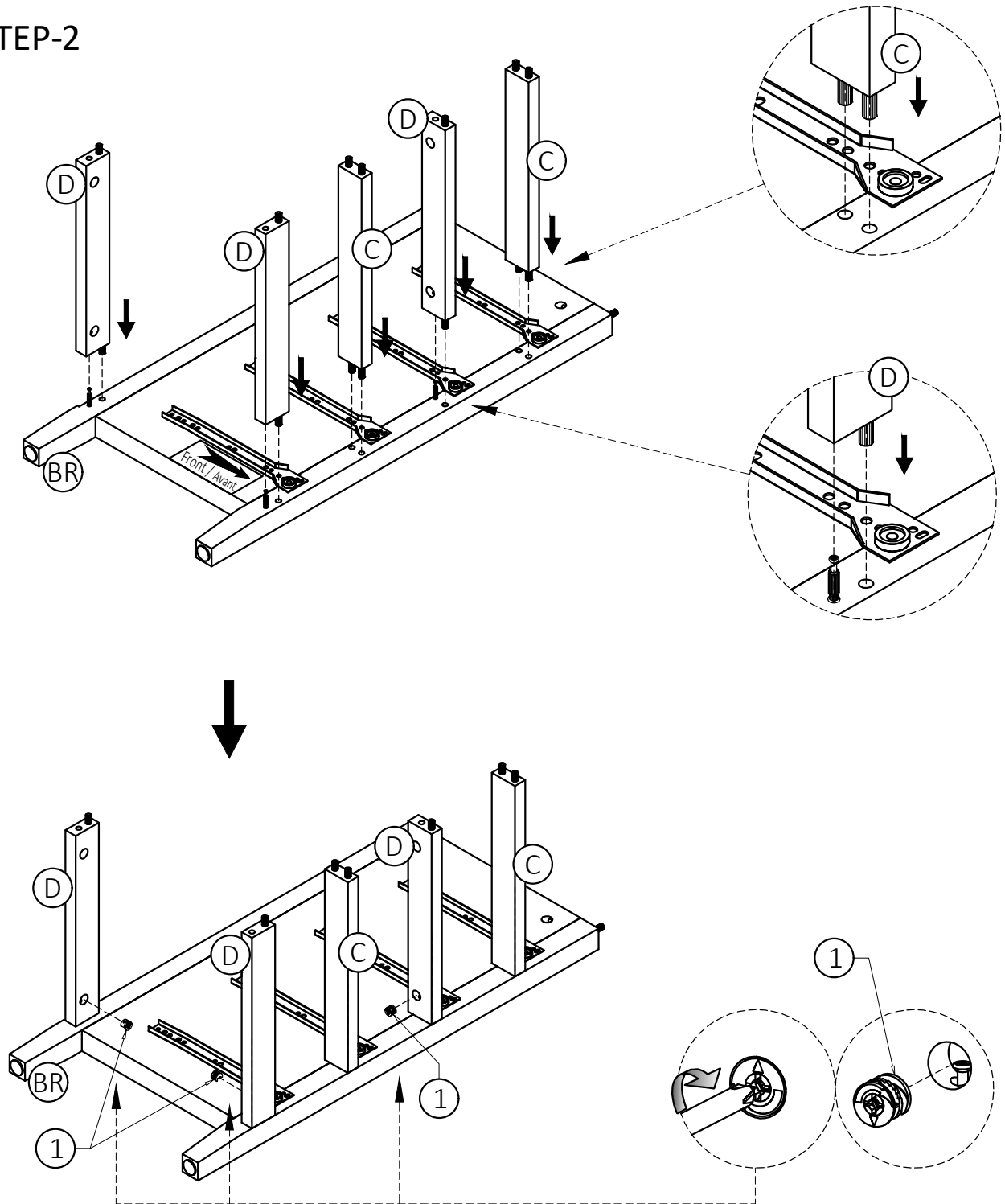
STEP-1



1. Attach Cam Lock Pins (1) into pre-drilled holes on each part (A), (BL), (BR).
2. Insert Wood Dowels (2) into guide holes on each part (BL), (BR), (C), (D).
3. Use rubber mallet to tap Dowels (2) into bottom of holes securely. 1/2 length of Dowels should be exposed.

ASSEMBLY

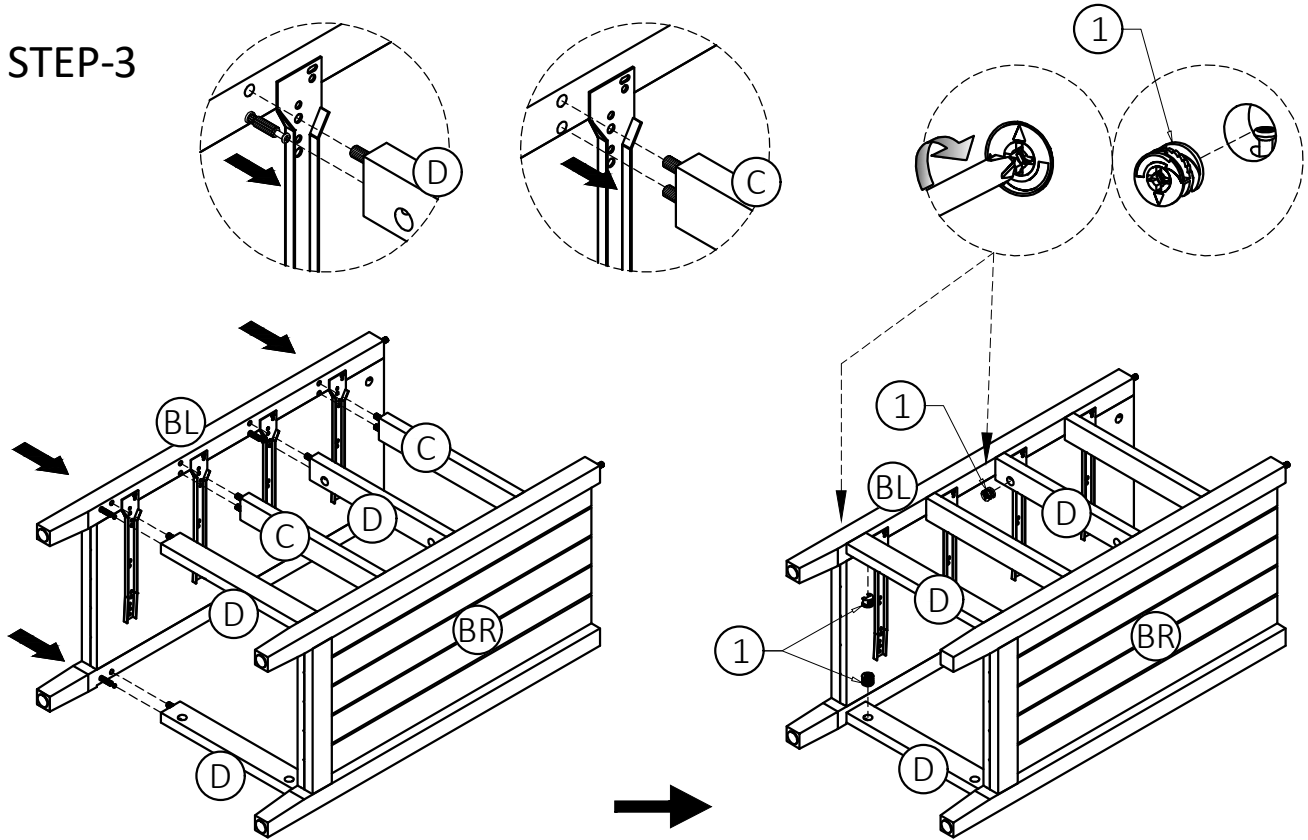
STEP-2



1. Align Wood Dowels and Cam Lock Pins with guide holes and attach parts (C), (D) to Right Side (BR).
2. Insert one Cam Lock (1) into guide holes on each part (D).
3. Use Phillips screwdriver to secure Cam Locks.

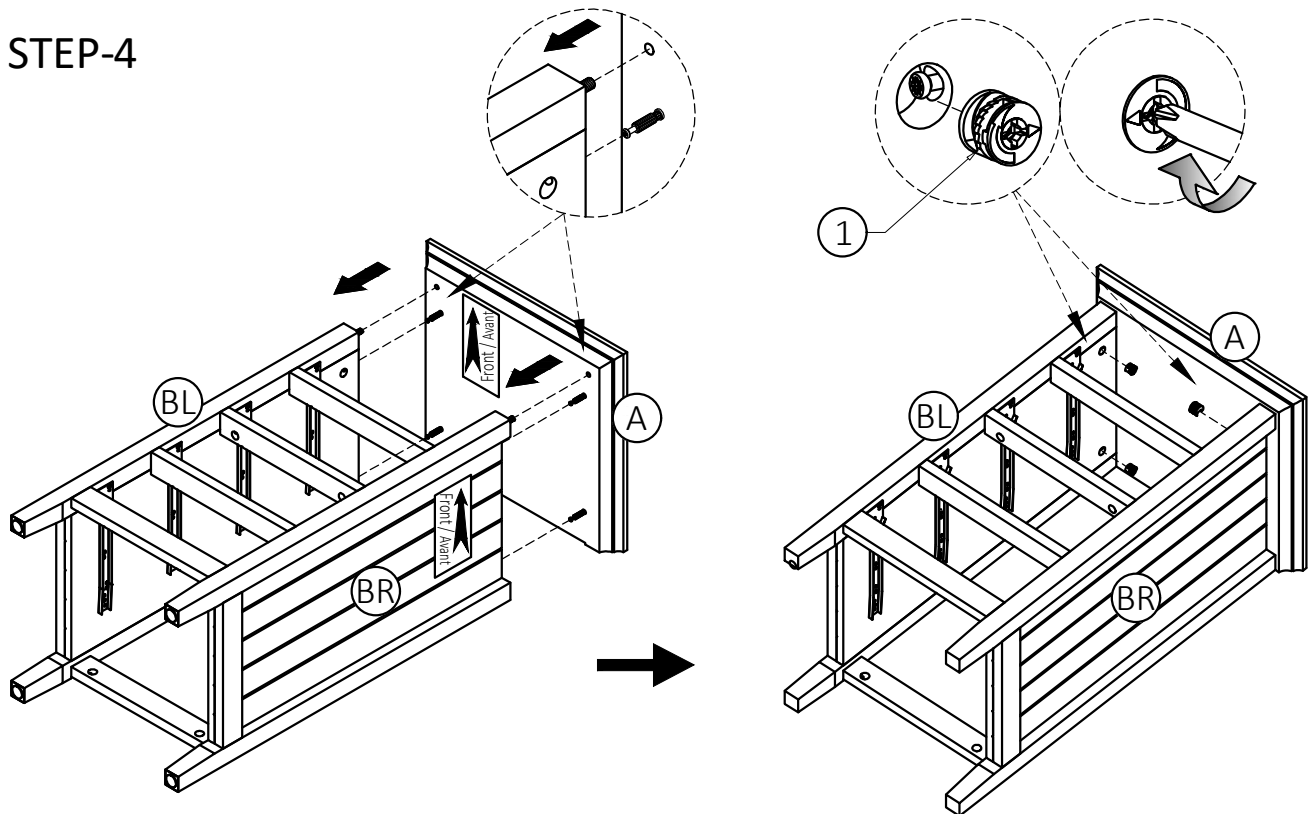
ASSEMBLY

STEP-3



1. Repeat Step-2 for the Left Side (BL).

STEP-4



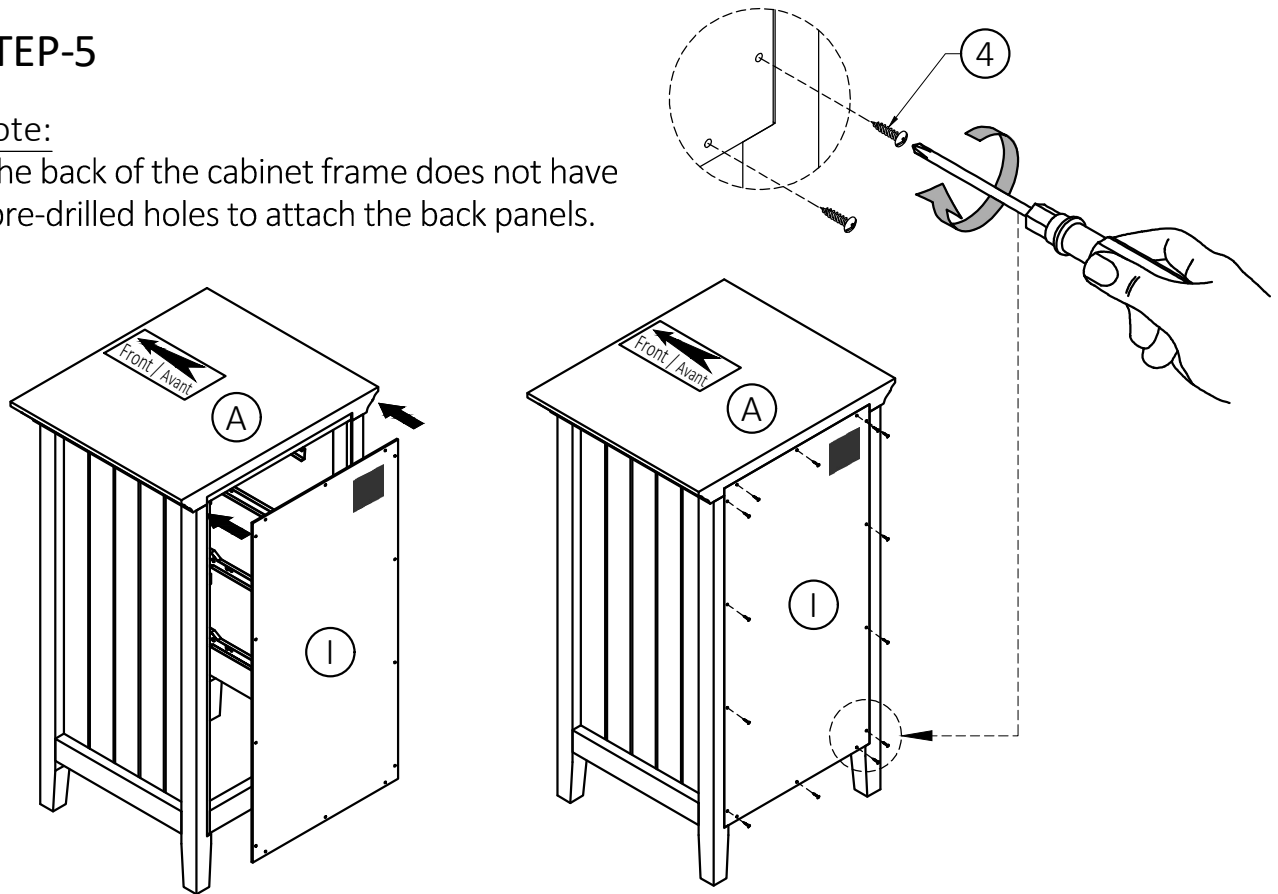
1. Align Dowels and Cam Lock Pins with guide holes and attach Top (A) to Sides (BL, BR).
2. Insert two Cam Locks (1) into guide holes on Sides (BL, BR).
3. Use Phillips screwdriver to secure Cam Locks.

ASSEMBLY

STEP-5

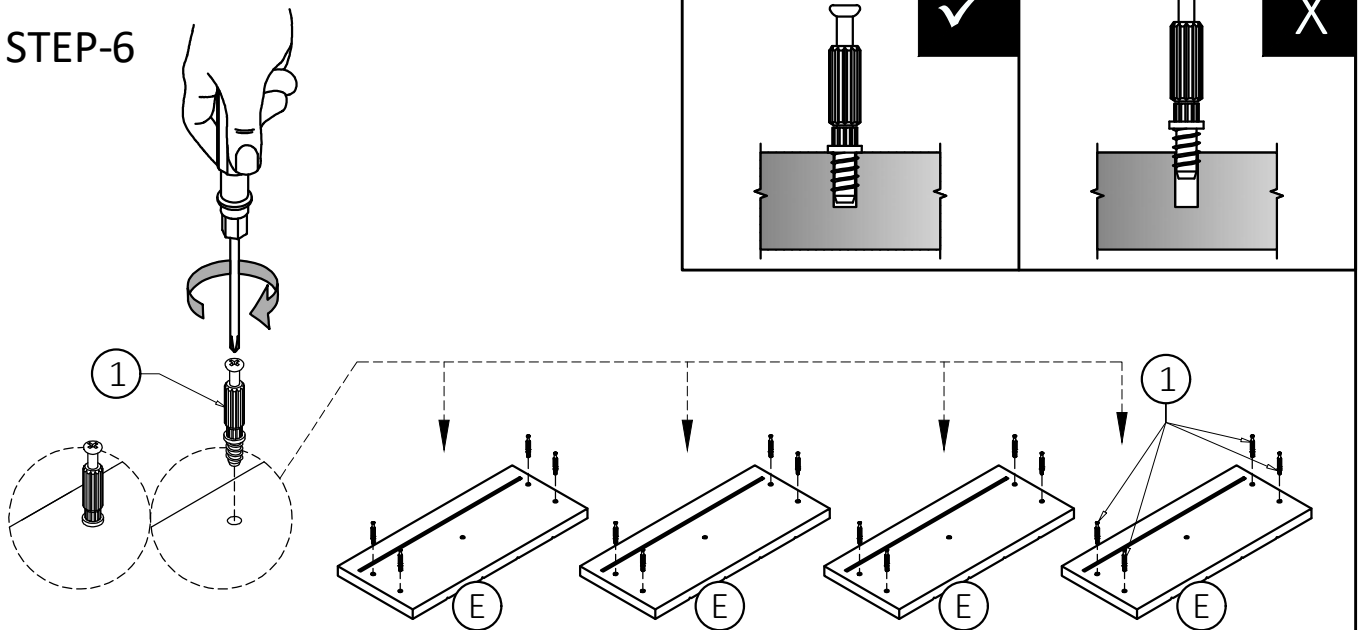
Note:

The back of the cabinet frame does not have pre-drilled holes to attach the back panels.



1. Attach the Back Panel (I) to back frame using Phillips Screws Round Head (4) through guide holes from Back Panels.
2. Use Phillips Screwdriver to tighten screws. Do not over-tighten.

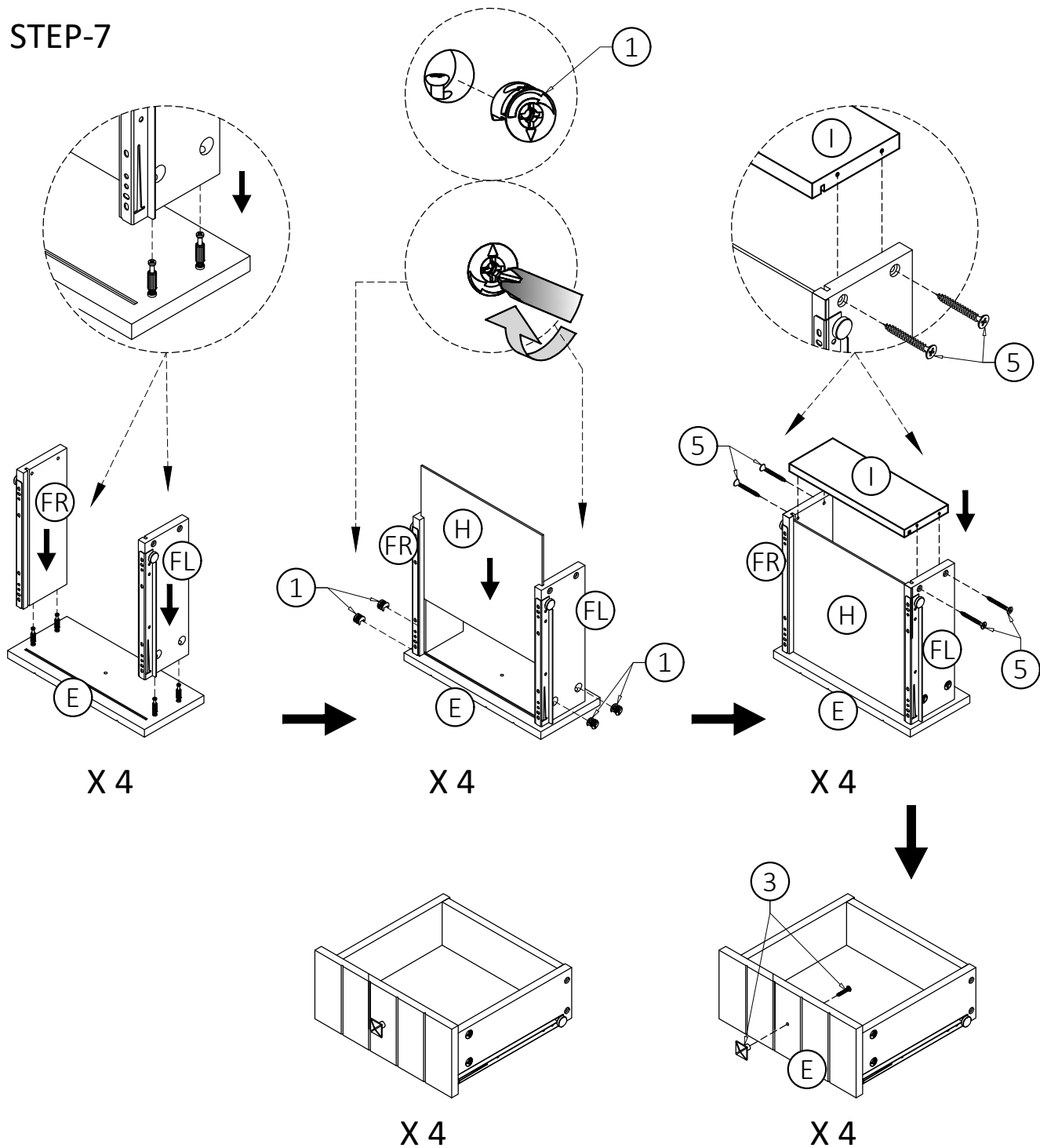
STEP-6



1. Attach four Cam Lock Pins (1) into pre-drilled holes on each Drawer Front (E).
2. Use Phillips screwdriver to secure Cam Lock Pins. Do not over-tighten.

ASSEMBLY

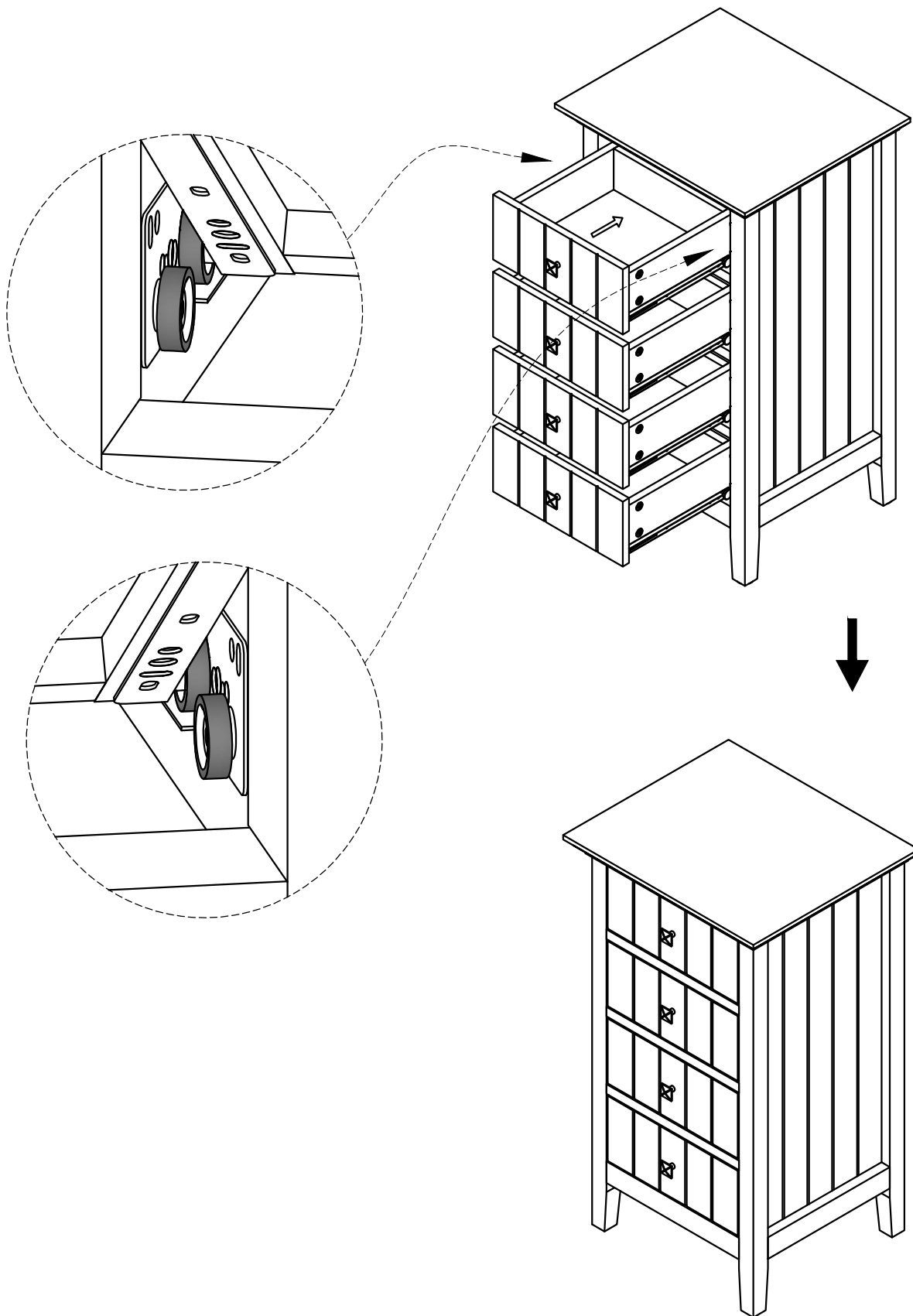
STEP-7



1. Align Cam Lock Pins with guide holes and attach Drawer Sides (FL, FR) to Drawer Front (E).
2. Insert two Cam Locks (1) into guide holes on each Drawer Side (FL, FR).
3. Use Phillips screwdriver to secure Cam Locks. Do not over-tighten.
4. Slide Drawer Bottom (H) firmly into slots on Drawer Sides (FL, FR) and Drawer Front (E).
5. Align Drawer Back (I) with Drawer Bottom (H) and press firmly into slot.
6. Attach Drawer Back using two Phillip Screws (5) through guide holes on each Drawer Side (FL, FR). Use Phillips screwdriver to tighten Screws.
7. Use Phillip screwdriver to attach Handle (3) to Drawer Front (E).

ASSEMBLY

STEP-8



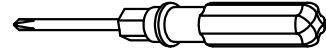
1. Insert assembled drawers into glides on assembled cabinet.

FURNITURE TIP OVER RESTRAINT ASSEMBLY

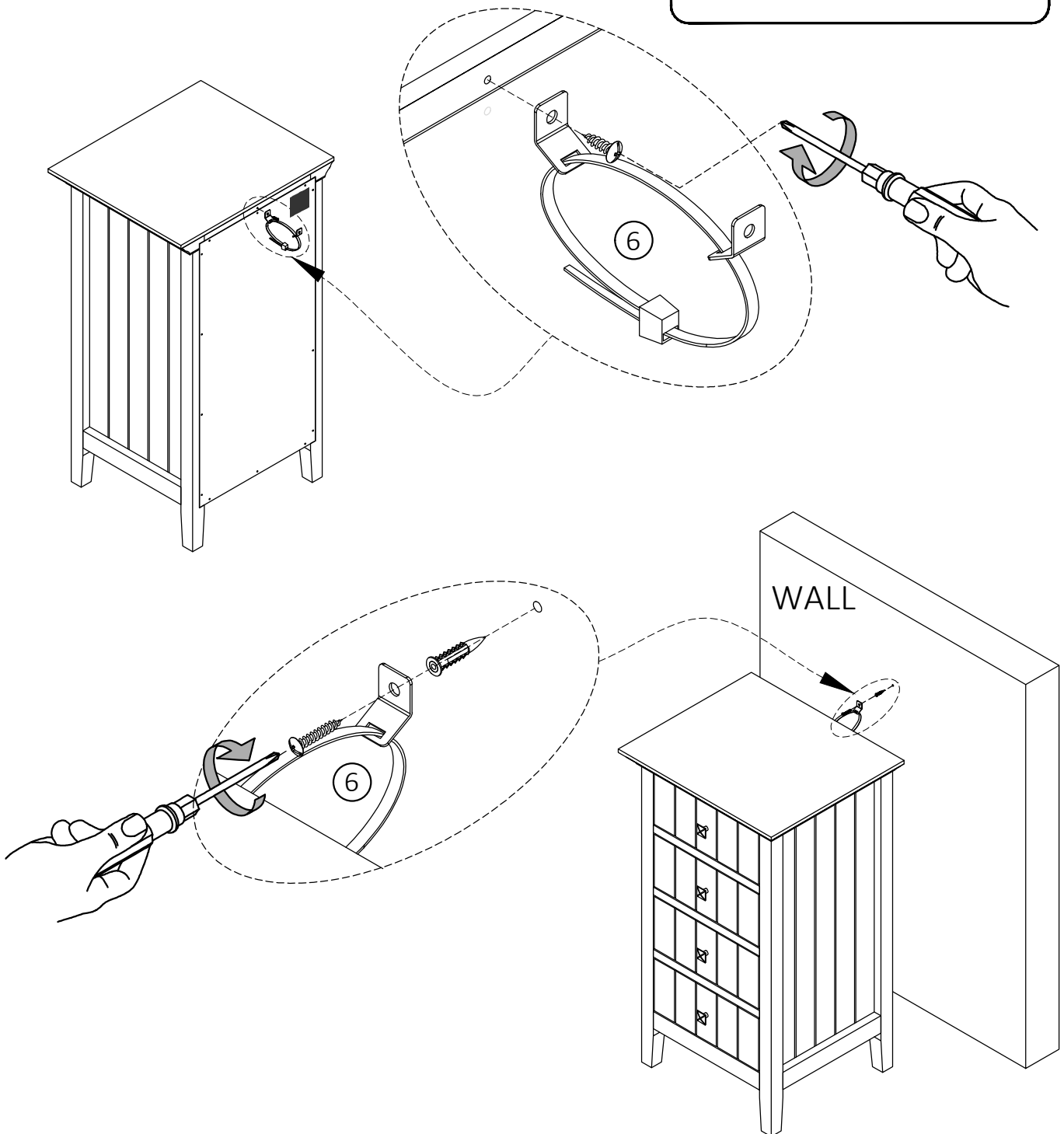
WARNING

Serious or fatal crushing injuries can occur from furniture tip-over.
If the furniture tip over restraint kit is not in the box, please contact our customer service department in order to obtain another kit before using the furniture.

STEP-9



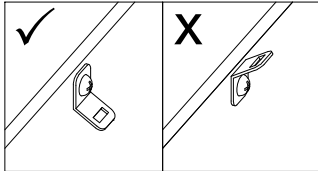
NOTE: The screwdriver is not included in the hardware pack.



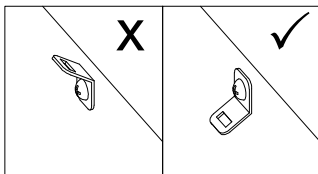
FURNITURE TIP OVER RESTRAINT ASSEMBLY

Furniture Tip Over Restraint Instructions:

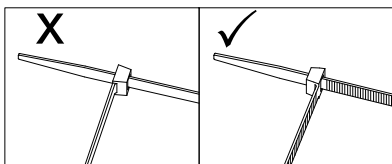
1. Attach one of the mounting brackets securely to the back edge of the furniture. Use the shorter screw.



2. Determine where furniture is to be placed and mark location on the wall for mounting bracket screw hole approximately 2 inches **below** the bracket mounted to the furniture.



3. Drill a 3/16 inch hole in the wall. Press the plastic anchor into the hole and gently tap until the flange on the anchor is against the wall surface.
4. Position the bracket over the anchor and use the longer screw to securely attach the bracket to the wall.
5. Place the furniture so the back edge is in line with the bracket on the wall.
6. Lace an end of the nylon zip-tie strap down through each bracket. Bring both ends together and slide the smooth side upright through the square-shaped end and pull through to create the "locked" position.
7. Check to make sure the strap is securely laced and locked to the brackets.



- DO NOT put a TV or other heavy objects on top of a chest of drawers or any other furniture not intended for use with a TV
- DO NOT place heavy objects in top drawers
- DO NOT let children climb or hang on drawers, doors or shelves