

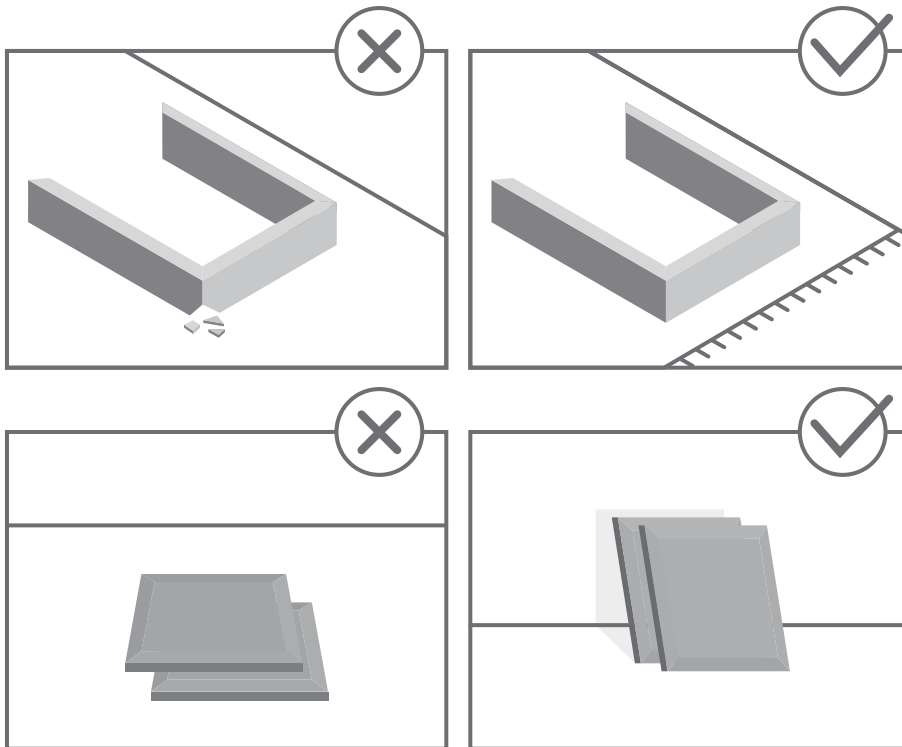


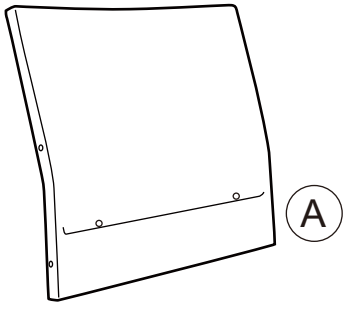
STOP!

Before beginning the assembly process, ensure all boxes and parts have been delivered.

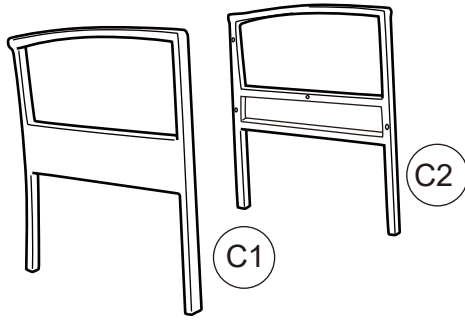
FOR BEST RESULTS:

- Do not throw away packaging materials until assembly is complete.
- Assemble item on a soft surface, such as cardboard or carpet, to protect finish.
- Proper assembly requires two people.

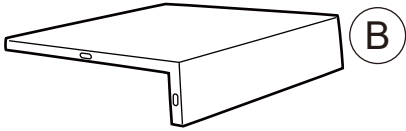




Backrest 2x



Leg Set 2x



Seat 2x



Cushion 2x

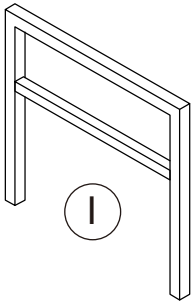


Table Leg 2x

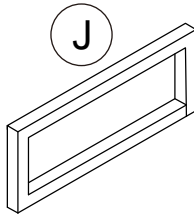


Table Side 2x

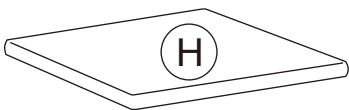


Table Top 1x

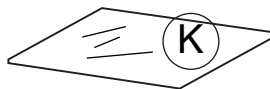
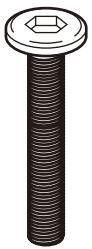


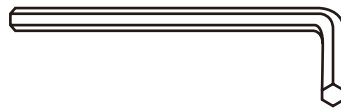
Table Glass 1x



M6 x 40 Bolt 32x



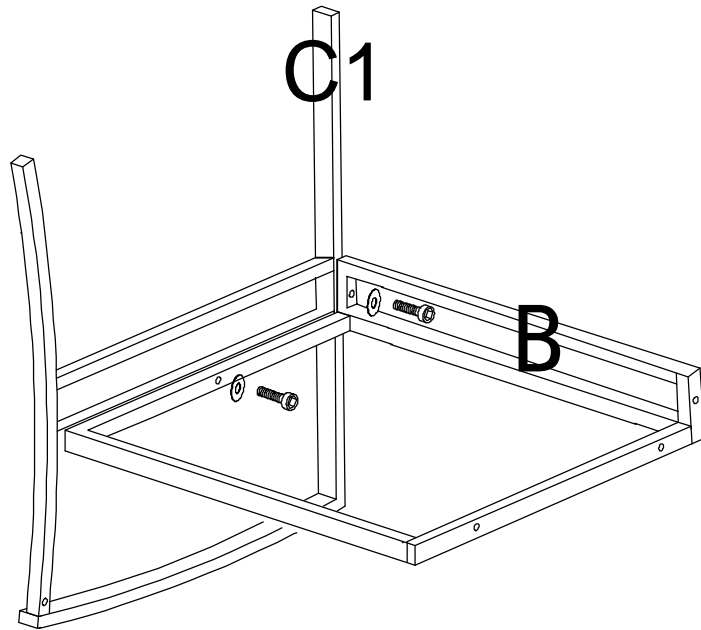
Washer Bolt 32x



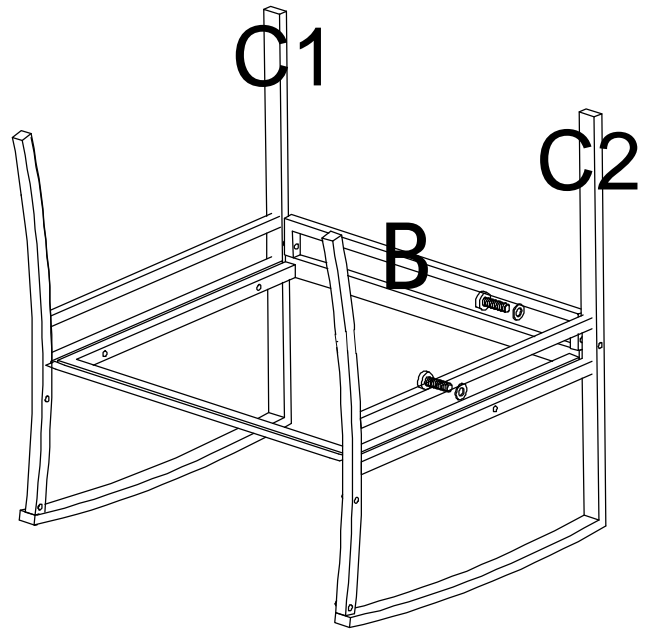
Allen Key

Do not fully tighten bolts until assembly is complete.

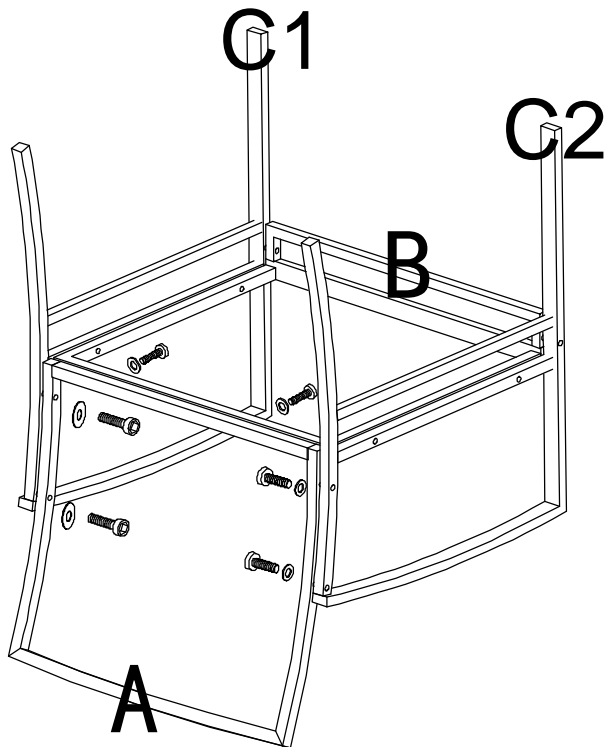
1. Attach Right Arm (C1) to the Seat (B) using bolts and washers



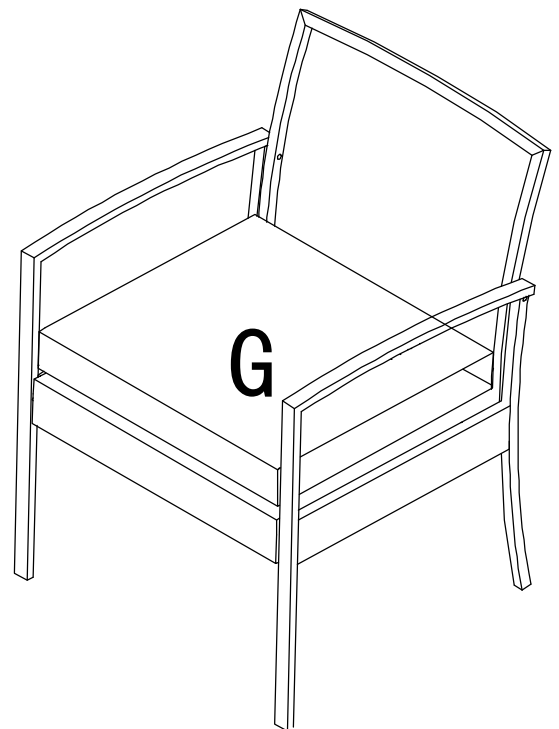
2. Attach Left Arm (C2) to the Seat (B) using bolts and washers



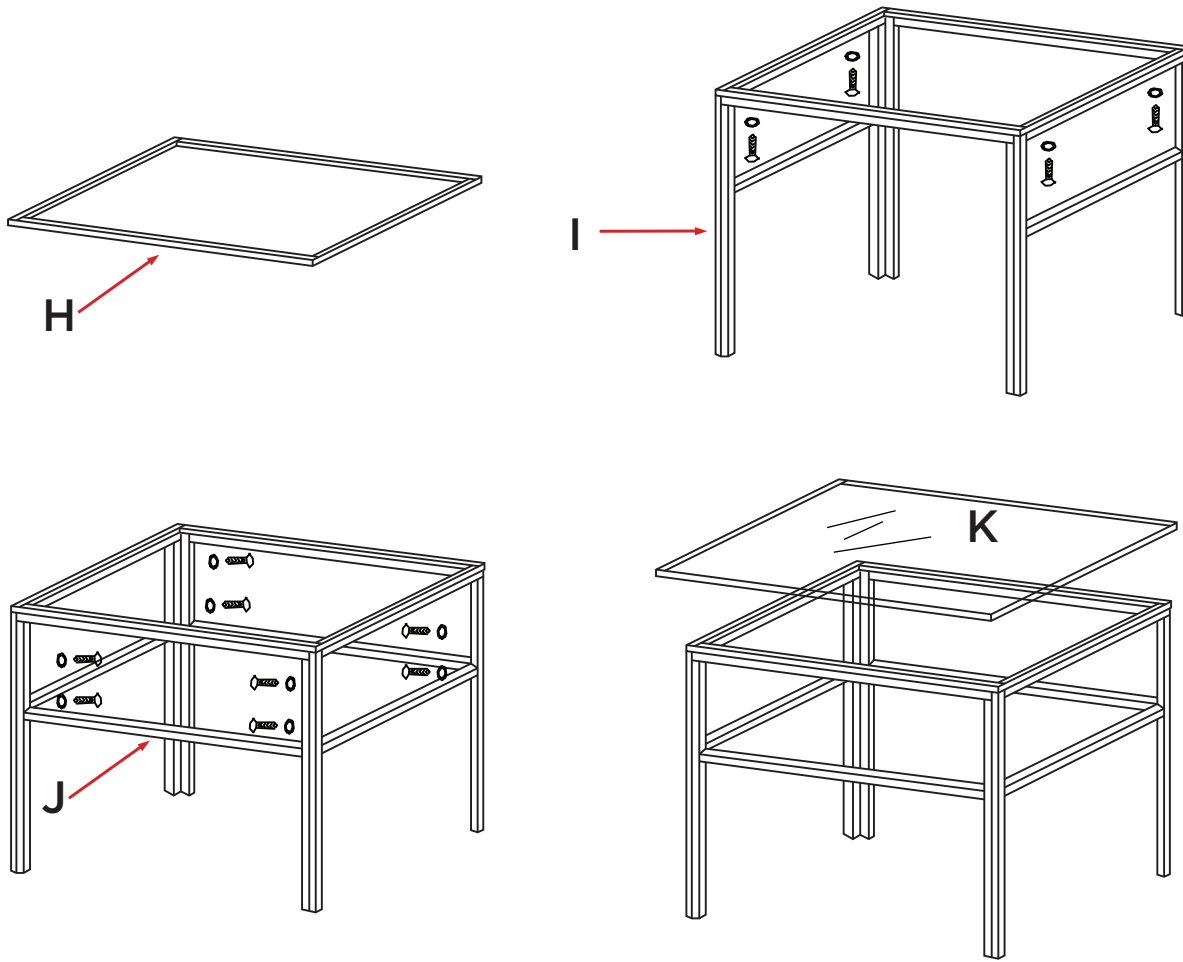
3. Attach backrest (A) to the Arm (C1 C2) and Seat (B) using bolts and Washers



4. Put the seat cushion (G) to the chair.



5. Attache Table legs (I) to table Frame (H) and Table Sides (J) using Bolts and washers



6. Place Cushions onto assembled chair frames and enjoy your new outdoor seating.

WARRANTY POLICY

All furniture products are warranted, to the original purchaser at the time of purchase and for a period of 30 days thereafter.

Our warranty is limited to new products purchased in factory sealed cartons.

In order to provide you with timely assistance, please thoroughly inspect your furniture for missing or defective parts immediately after opening the carton.

We offers a 30-day parts replacement warranty on all items.

Our furniture products are not intended for outdoor use.

THE WARRANTY DOES NOT COVER:

- Defects/damages by improper assembly or disassembly.
- Defects/damages caused by shipping. Claims for damage during transit should be placed immediately to the transportation company.
- Defects/damages caused by inappropriate use of the furniture.