

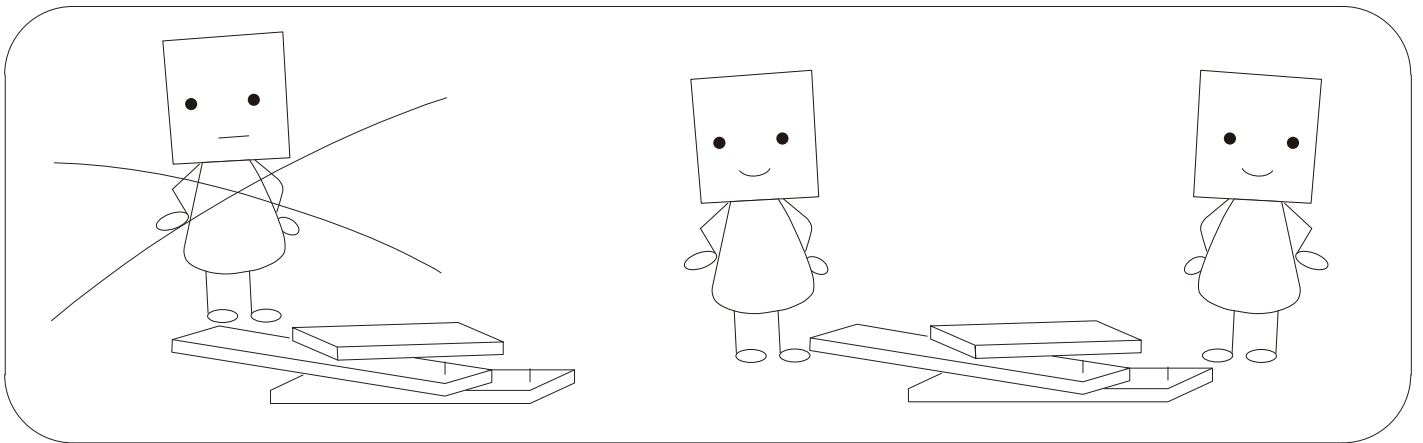
ASSEMBLY INSTRUCTION



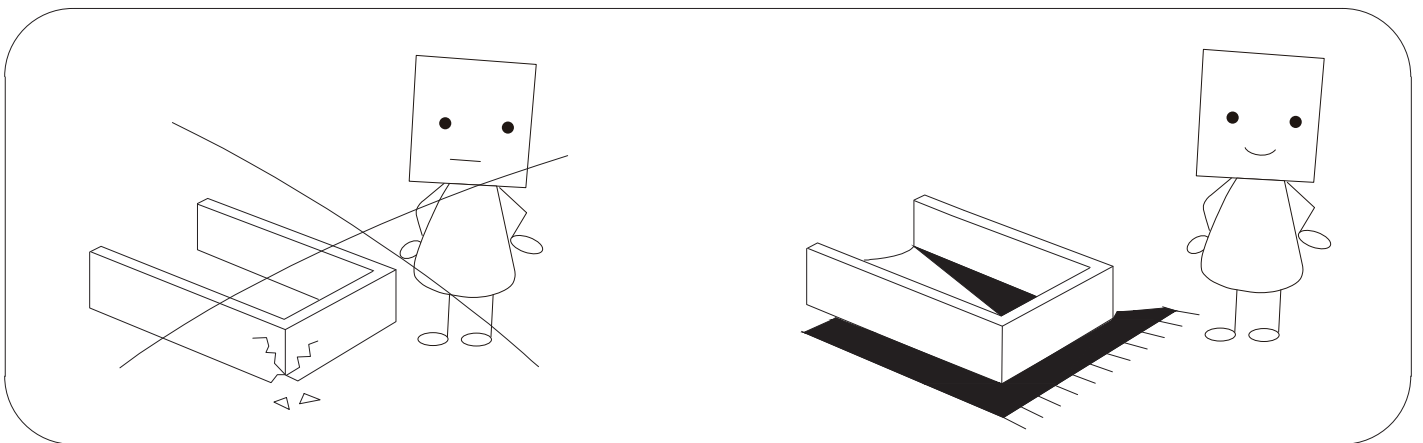


WARNING

Need Two Or More People To Complete

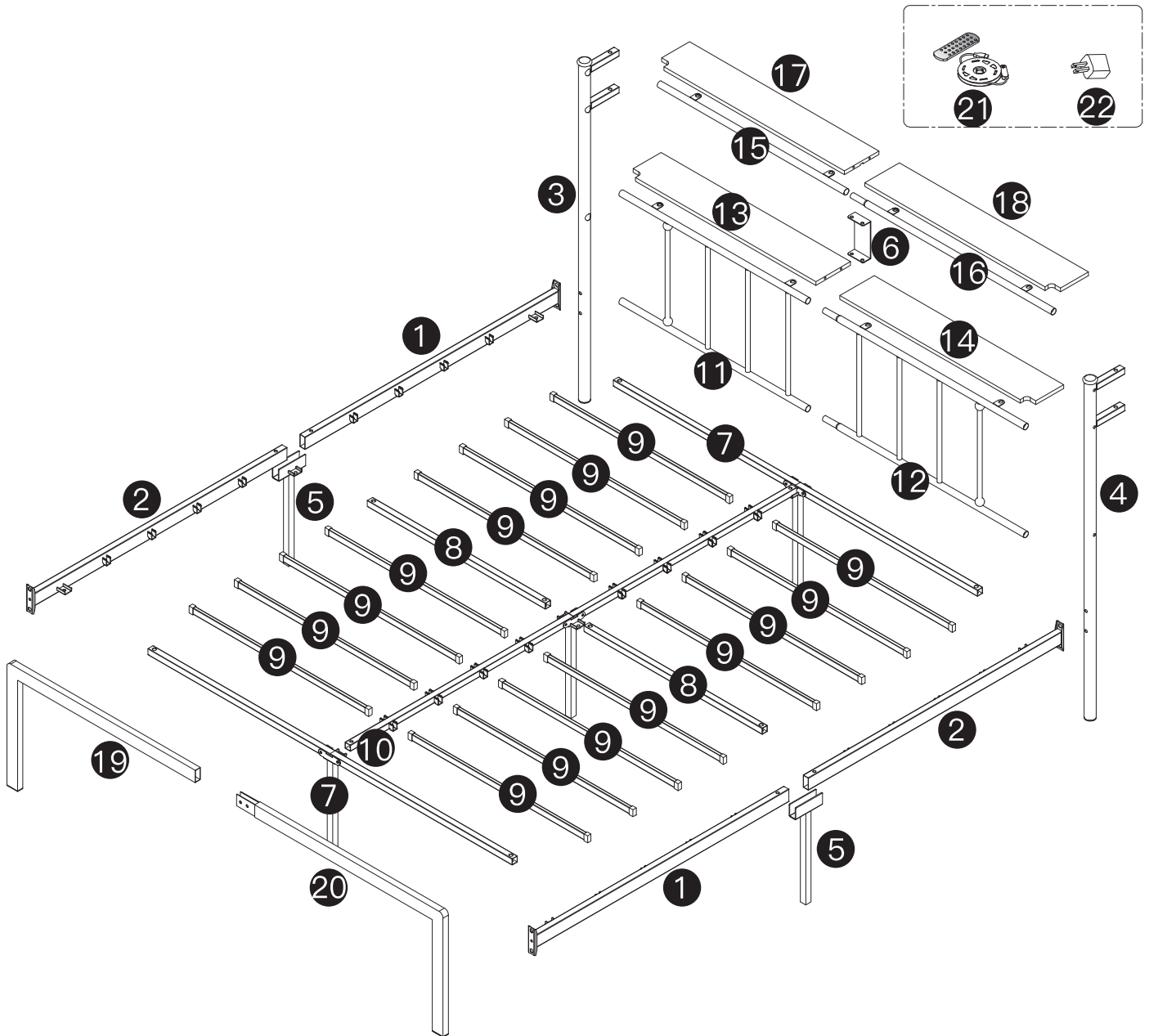


Assemble Item On a Clean Flat Surface



- Please check you have all hardware before assembling.
- Please ensure you have the name of the item and hardware part required and quantity.
- If you have any questions, please contact us by original purchase platform. we will reply you ASAP.

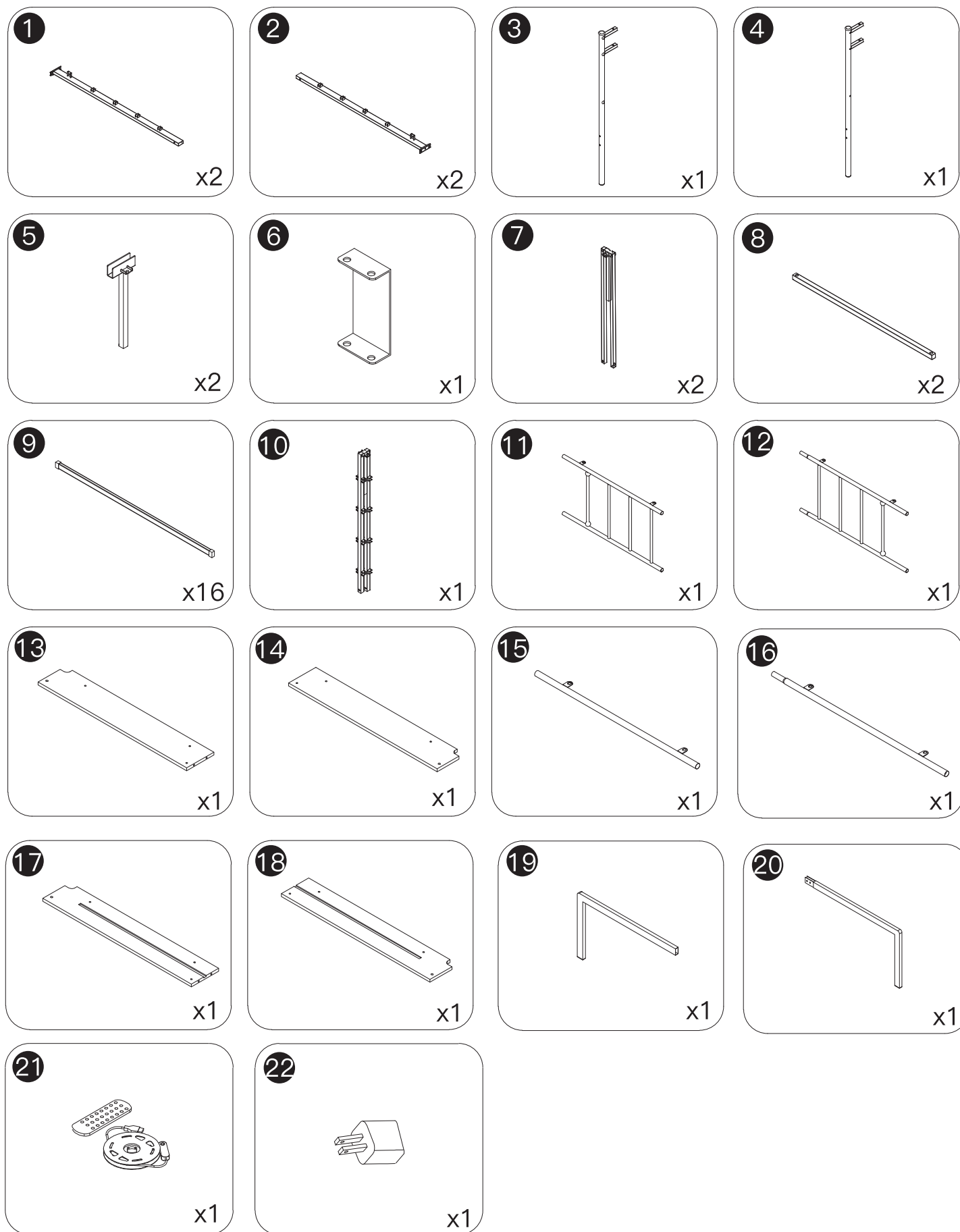
EXPLODED DRAWING:

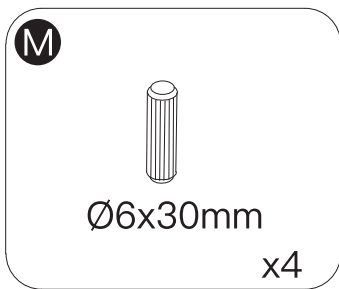
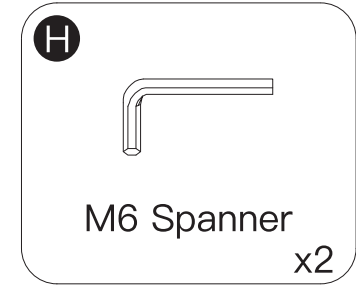
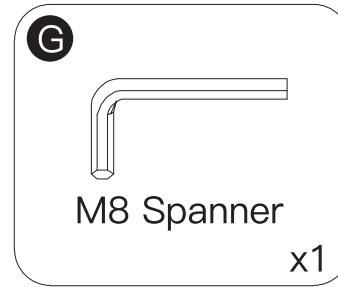
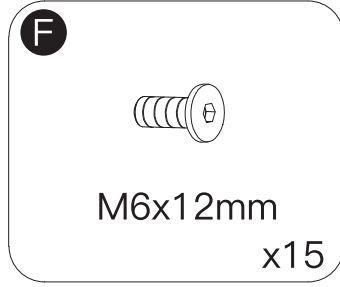
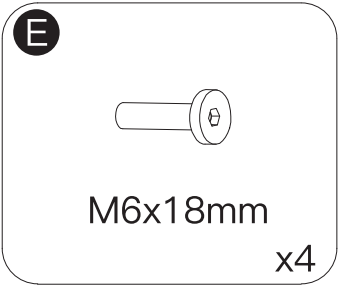
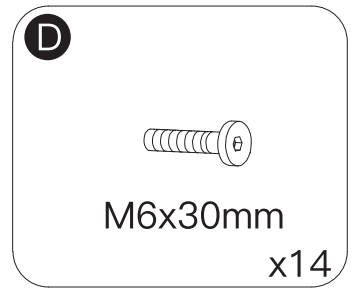
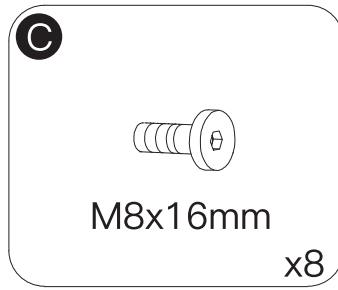
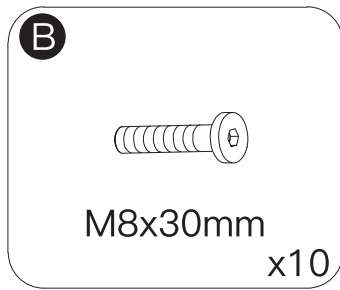
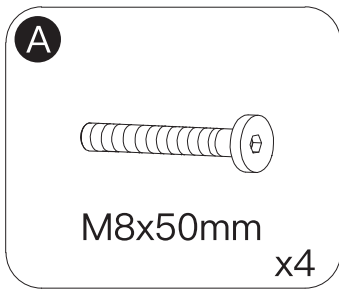


Please check all parts and accessories according to the parts list before assembling, make sure all contents are sufficient and in good condition.

If there is any parts missing or defective, please contact us with purchase platform message immediately to get replacement parts.

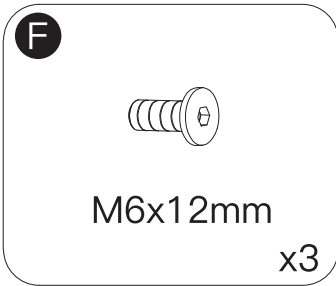
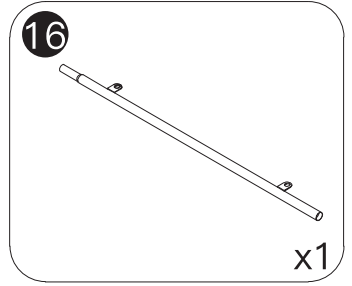
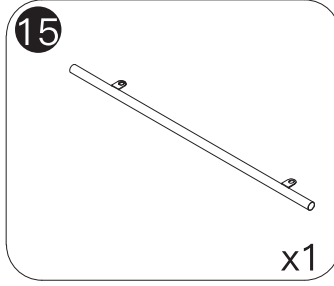
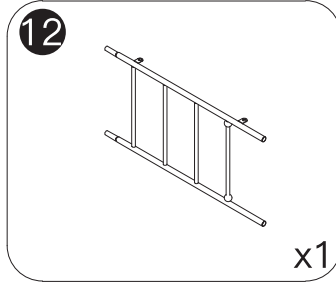
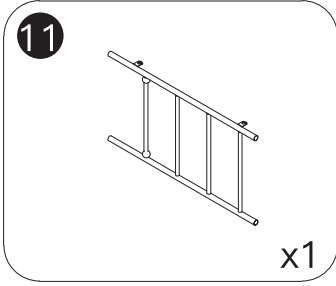
PARTS:



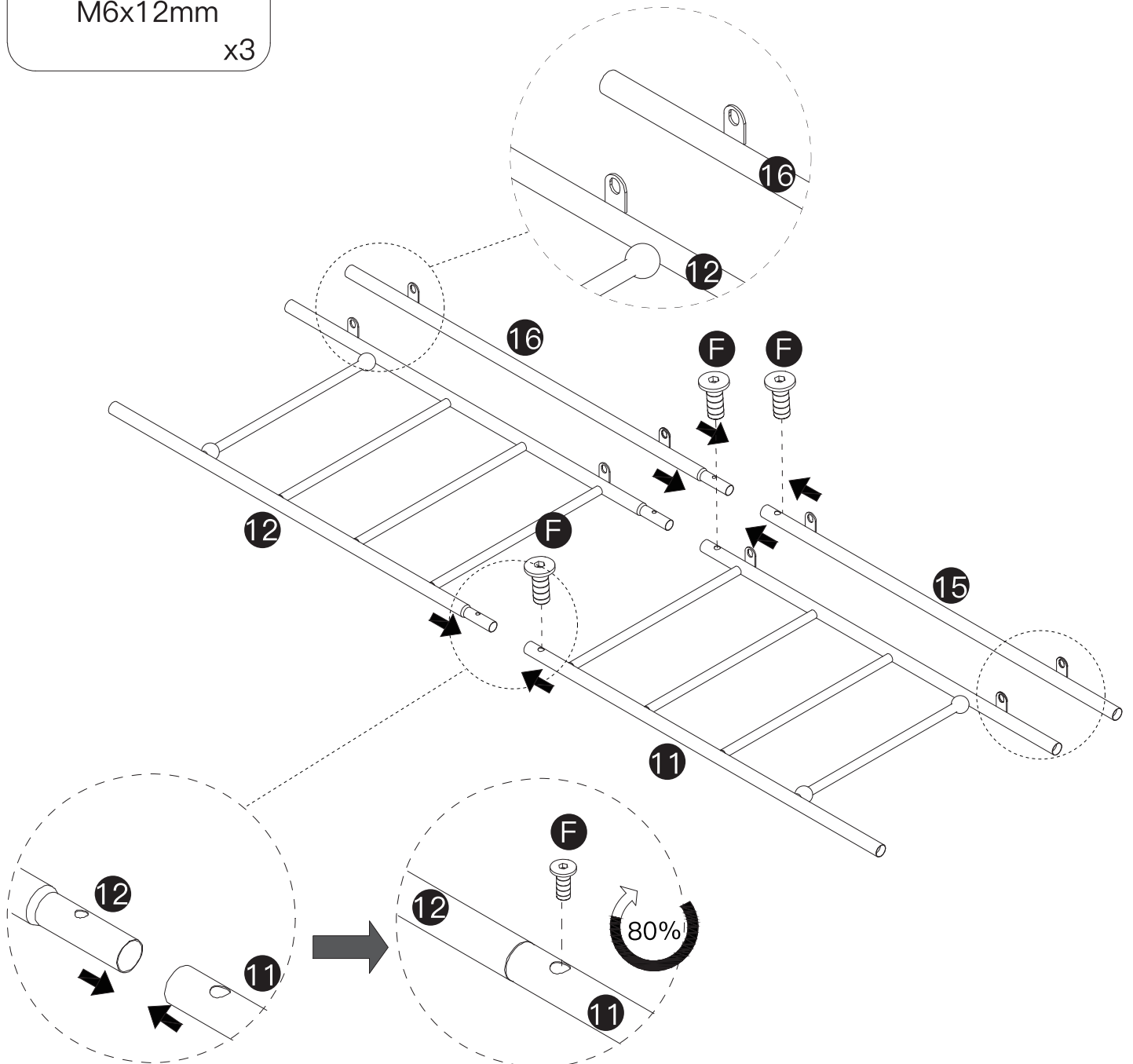


HOW TO INSTALL

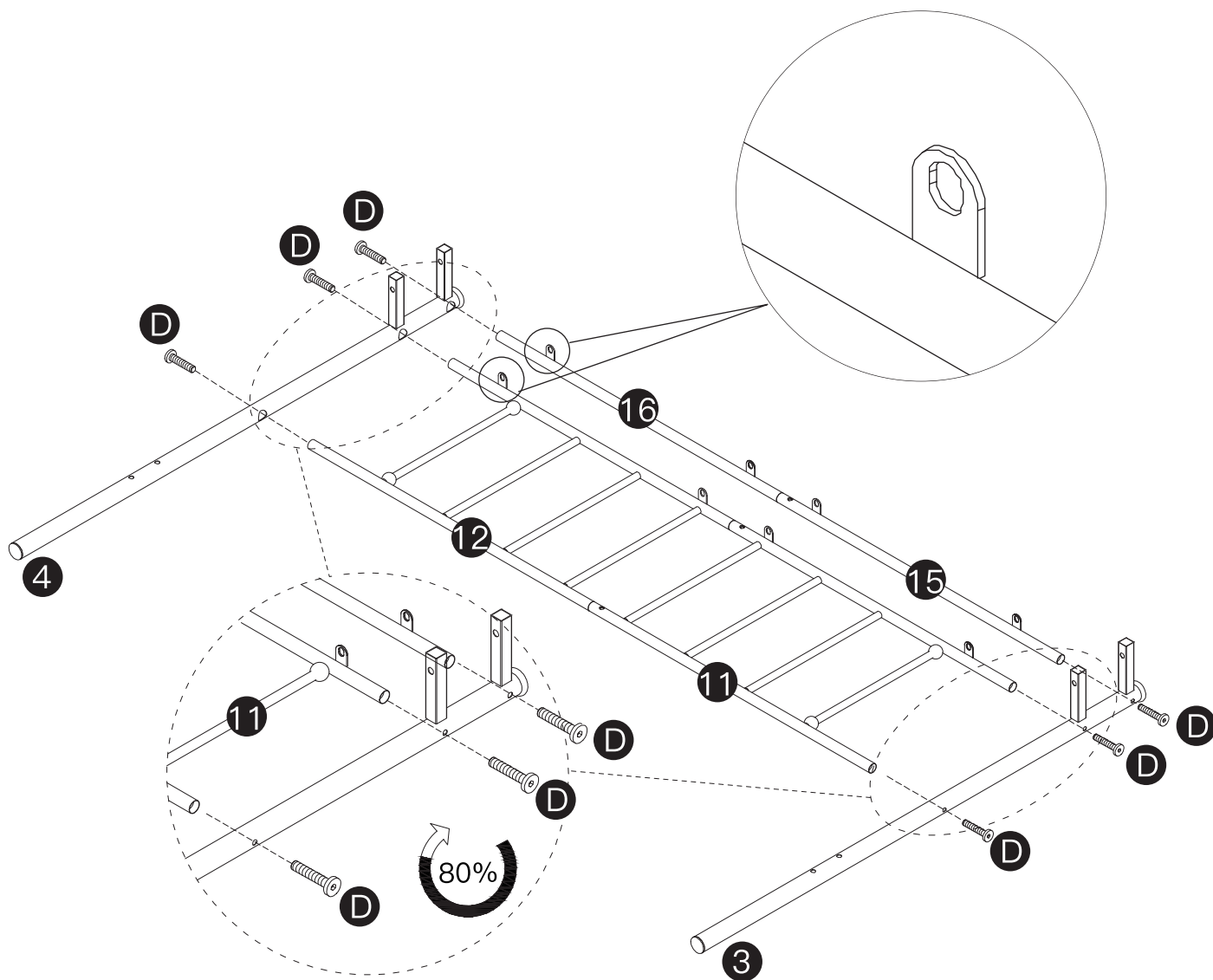
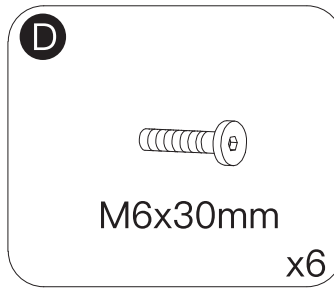
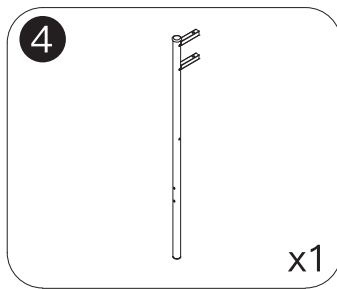
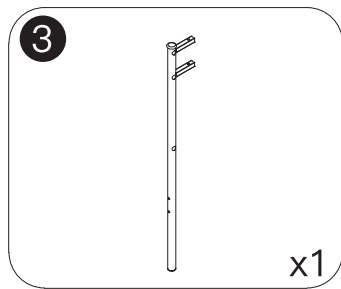
STEP 1



NOTICE:
Install part **11** & **12** & **15** & **16**
as shown in the diagram.



STEP 2



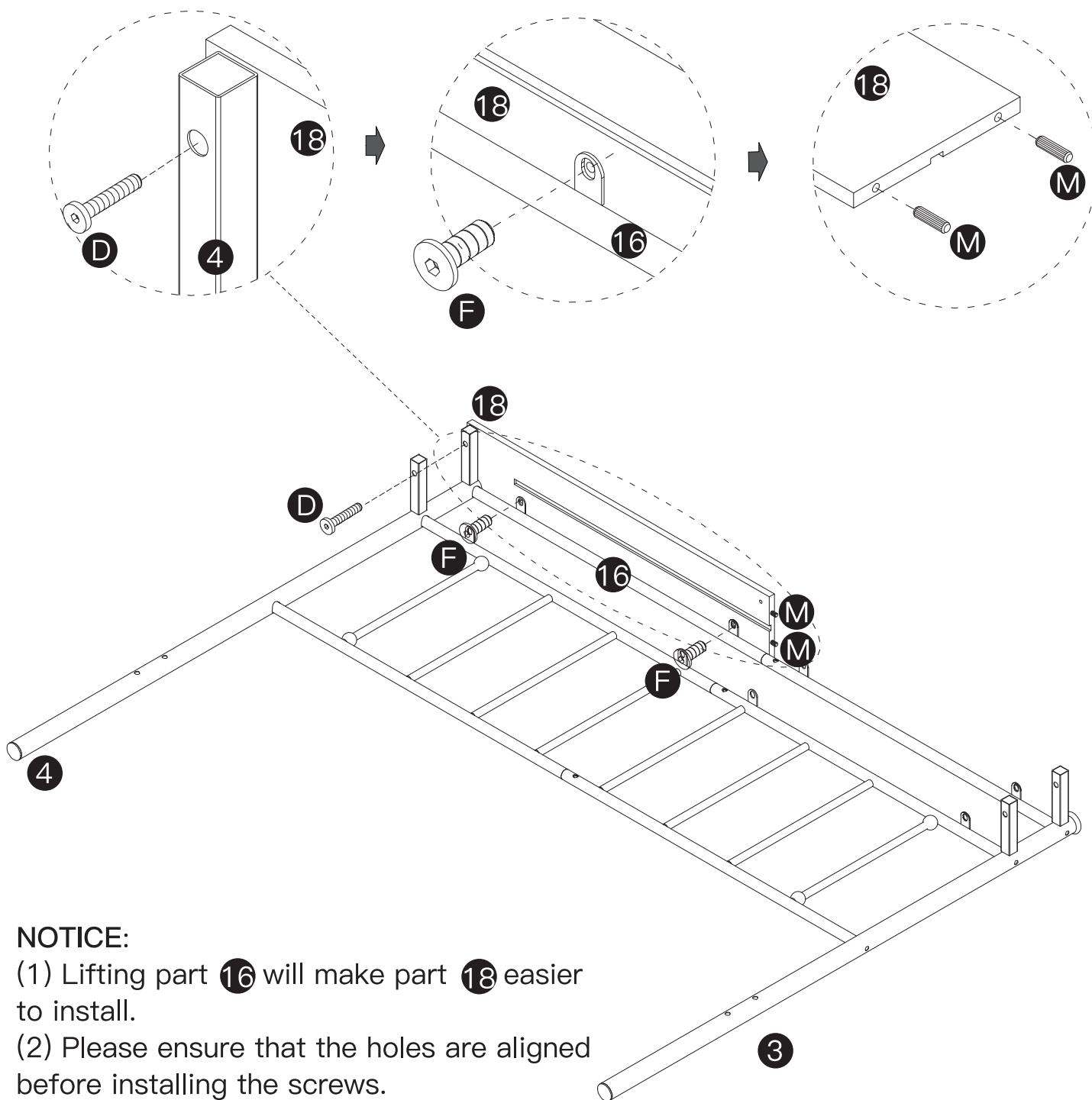
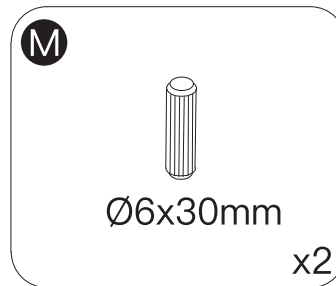
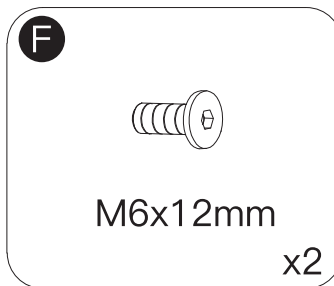
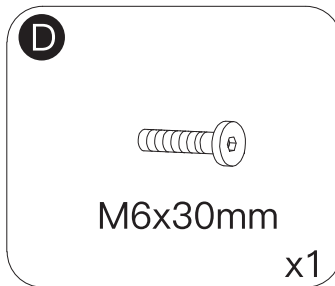
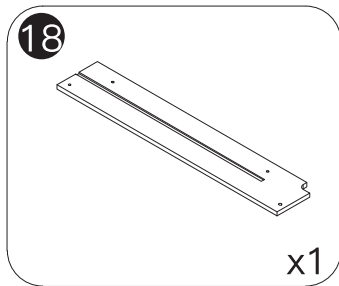
NOTICE:

(1) Installing all parts on one side first and then installing all parts on the other side will make installation easier.

(2) Please fully embed part 11 & 12 & 15 & 16 into part 3 & 4 before installing the screws.

(3) Do not tighten the screws until the eighth step is completed .

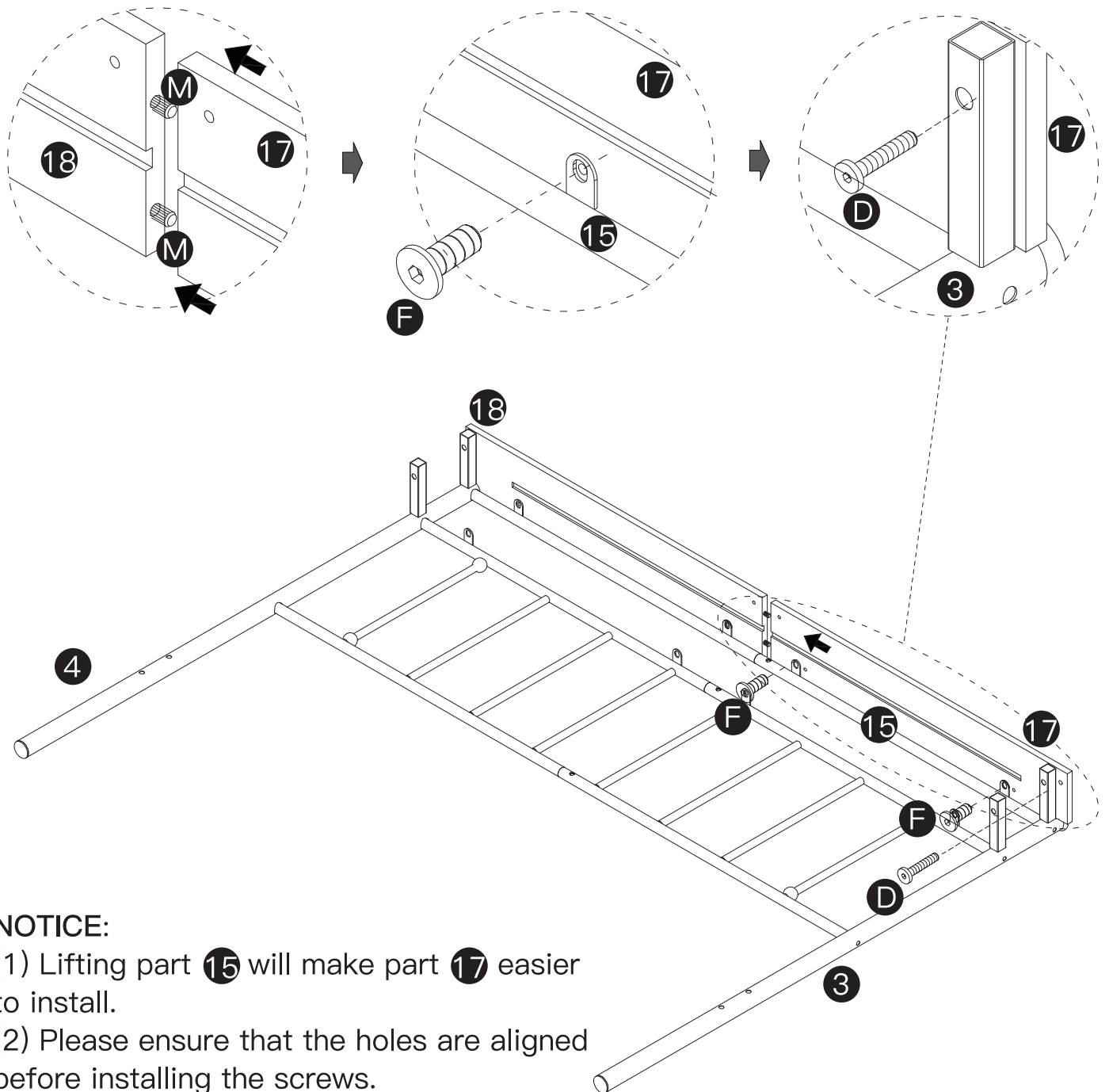
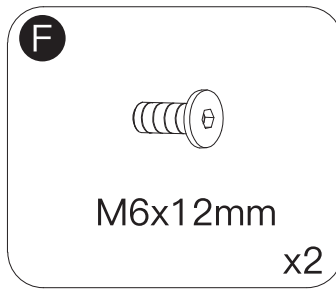
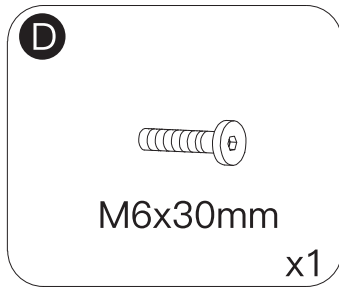
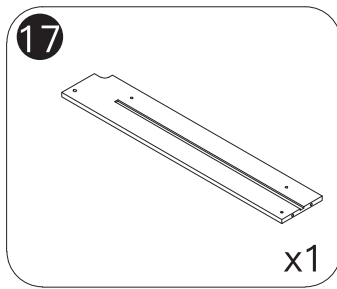
STEP 3



NOTICE:

- (1) Lifting part 16 will make part 18 easier to install.
- (2) Please ensure that the holes are aligned before installing the screws.
- (3) Do not tighten the screws until the eighth step is completed .

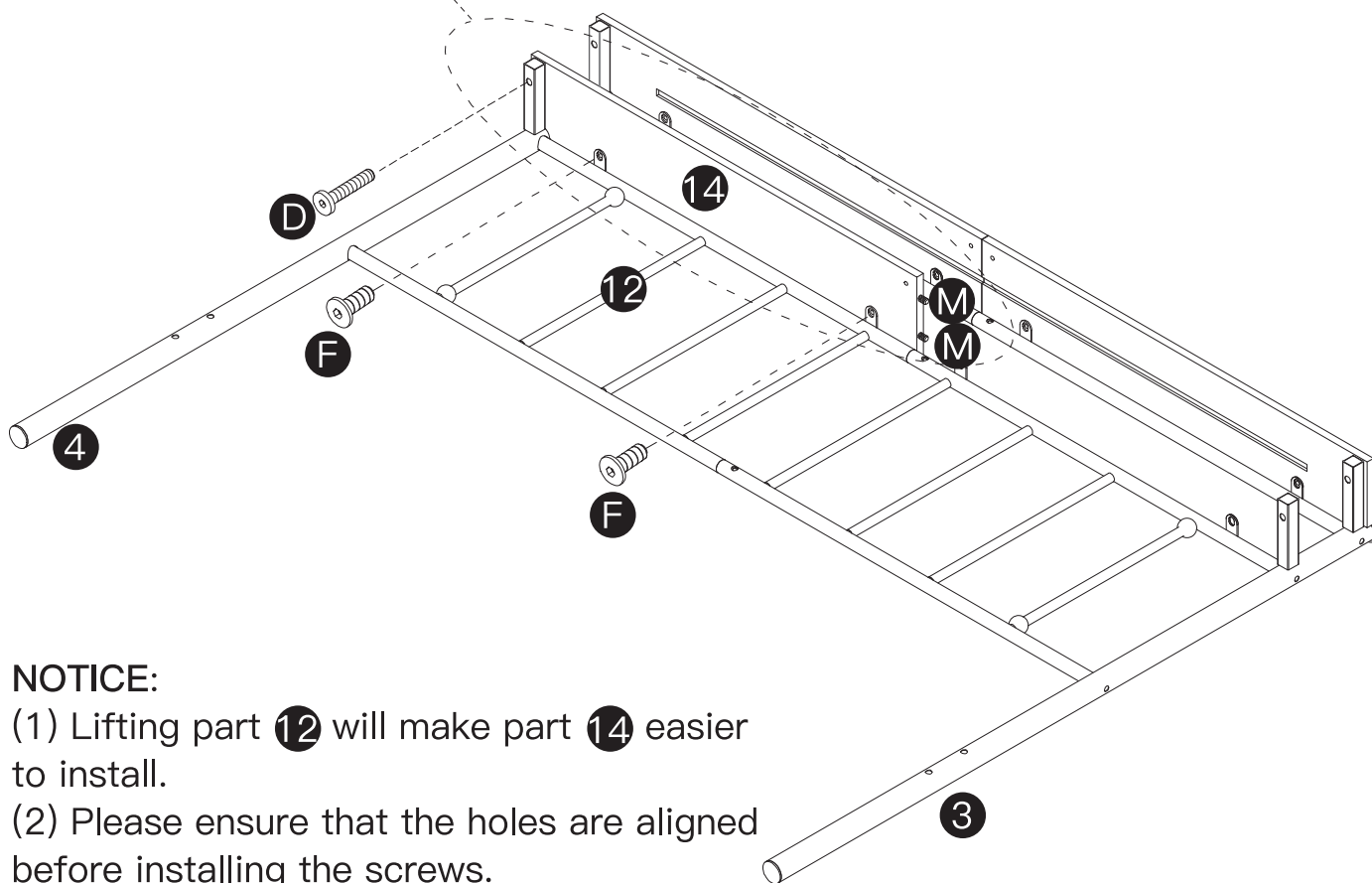
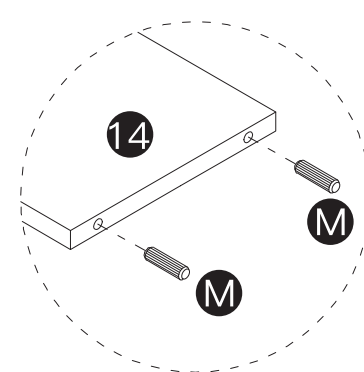
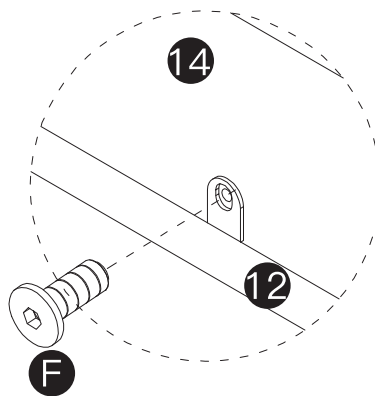
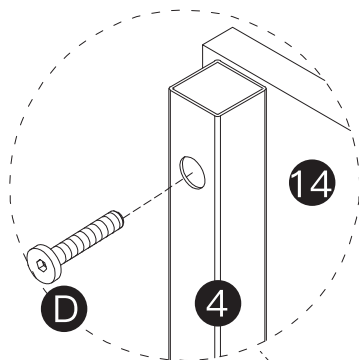
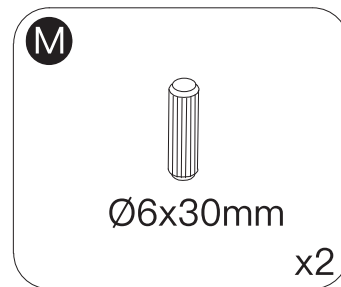
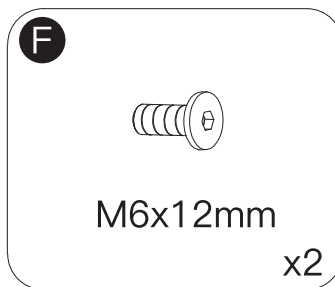
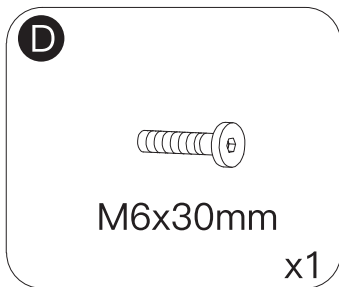
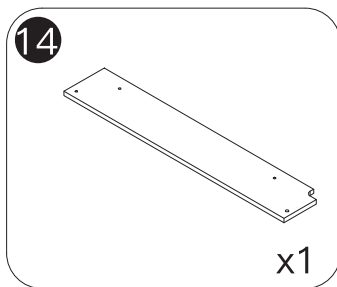
STEP 4



NOTICE:

- (1) Lifting part 15 will make part 17 easier to install.
- (2) Please ensure that the holes are aligned before installing the screws.
- (3) Do not tighten the screws until the eighth step is completed .

STEP 5



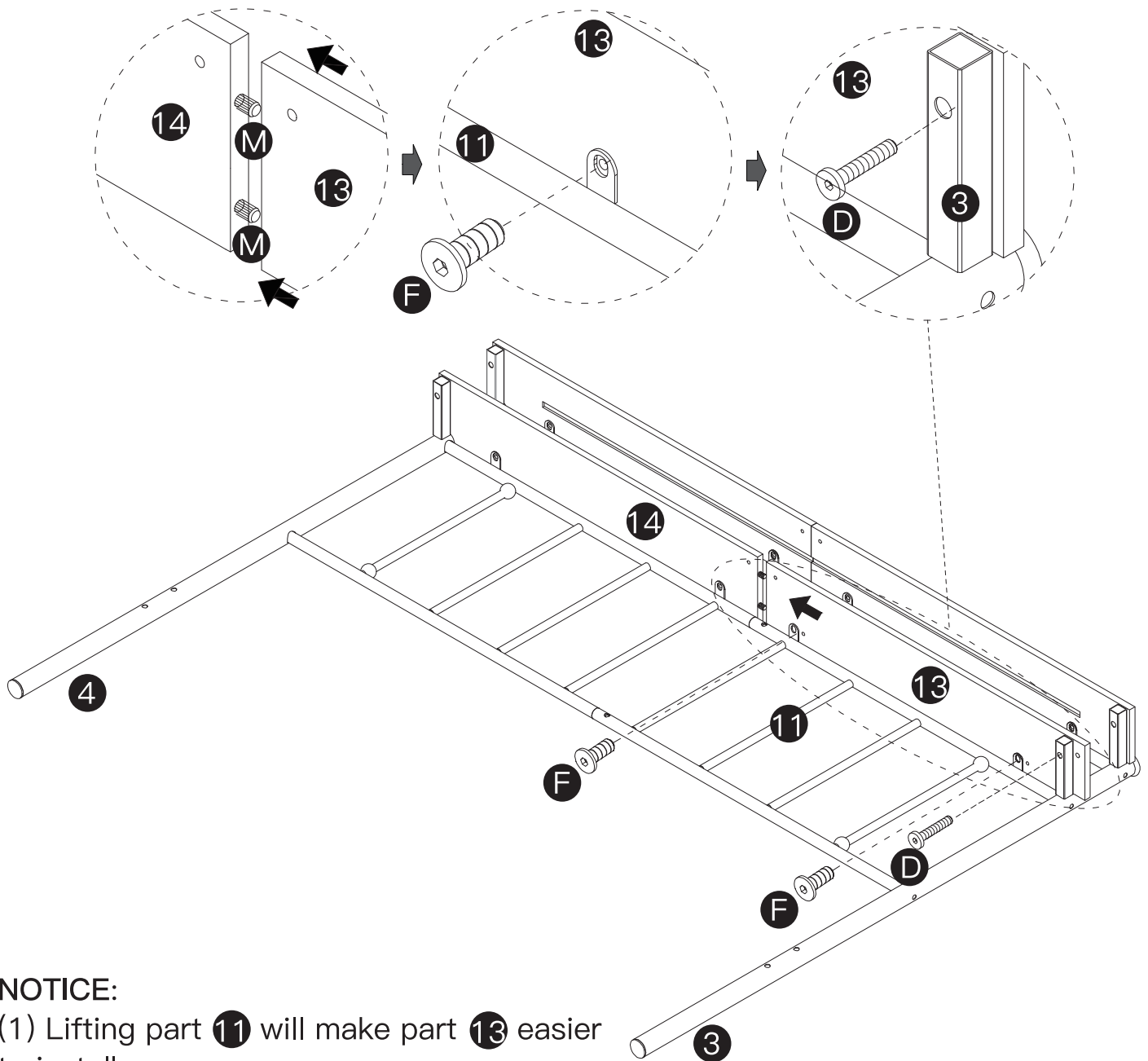
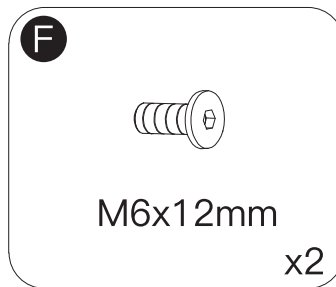
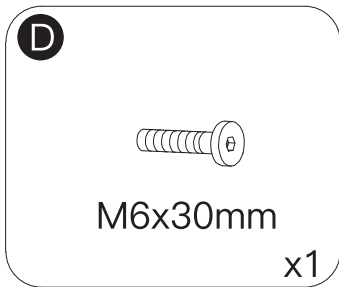
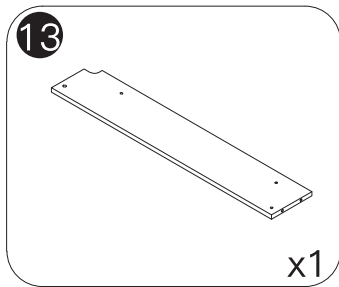
NOTICE:

(1) Lifting part 12 will make part 14 easier to install.

(2) Please ensure that the holes are aligned before installing the screws.

(3) Do not tighten the screws until the eighth step is completed.

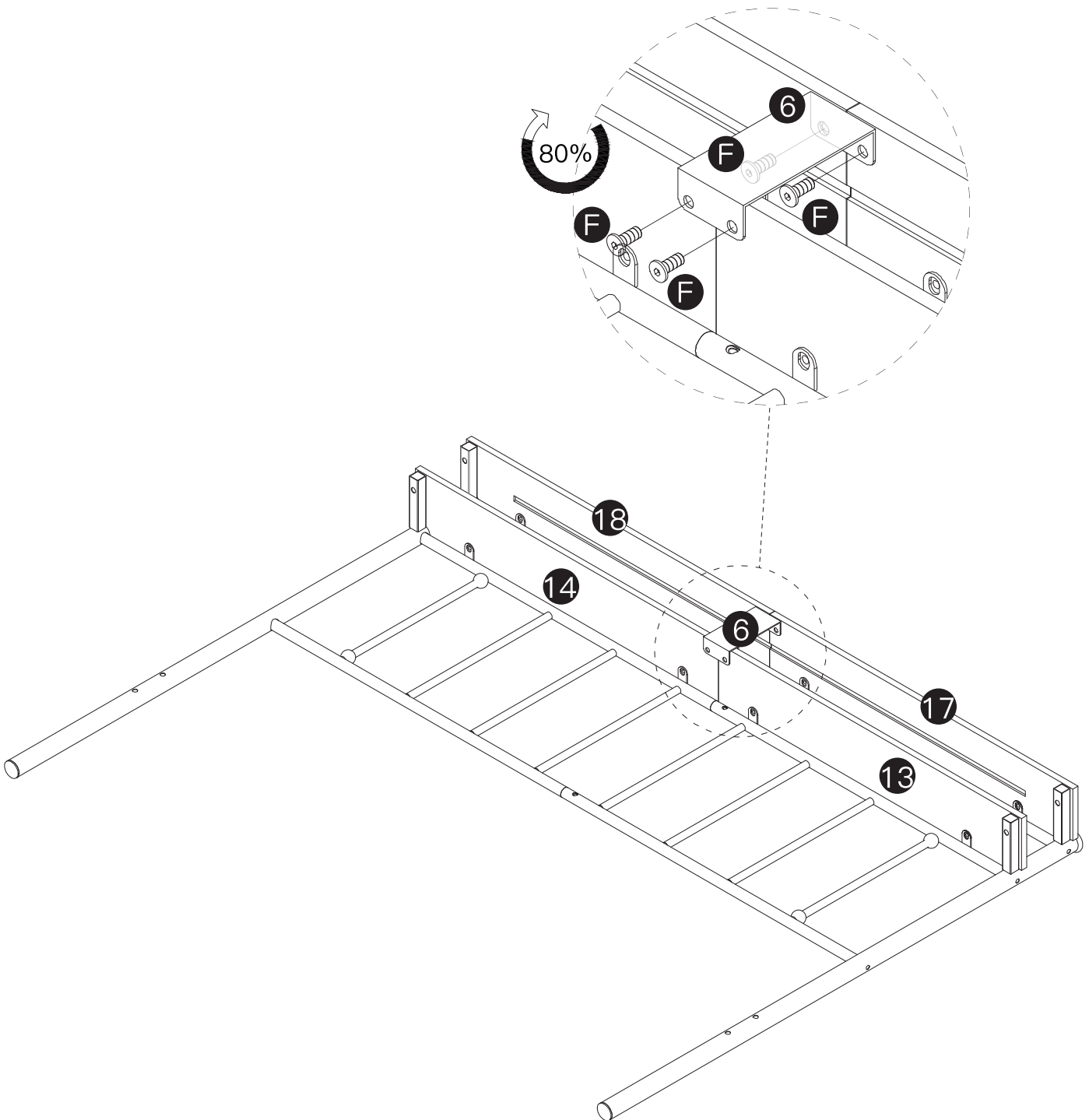
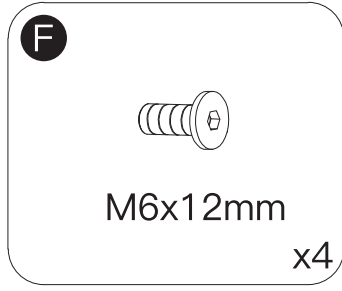
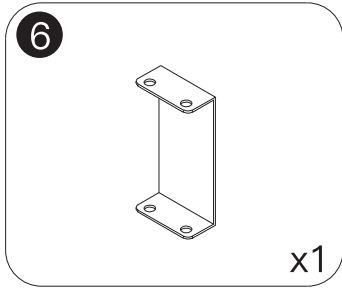
STEP 6



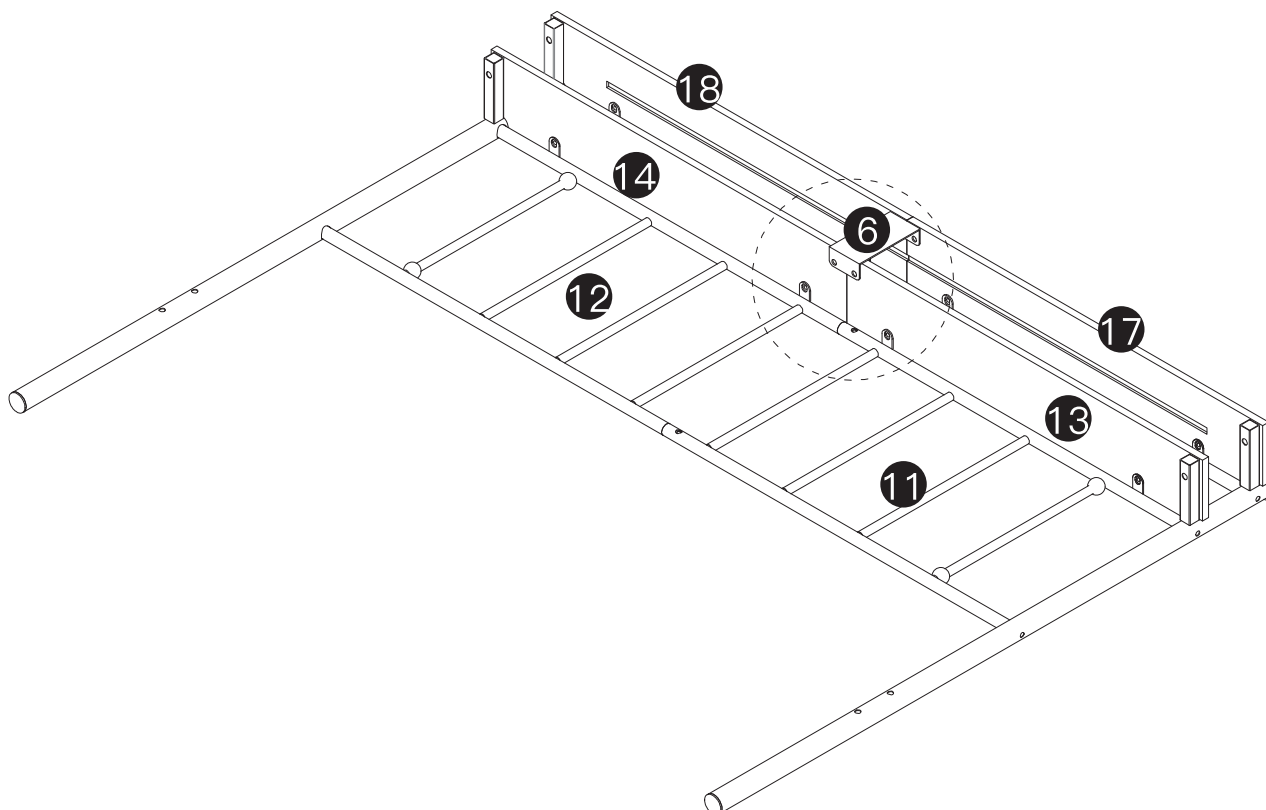
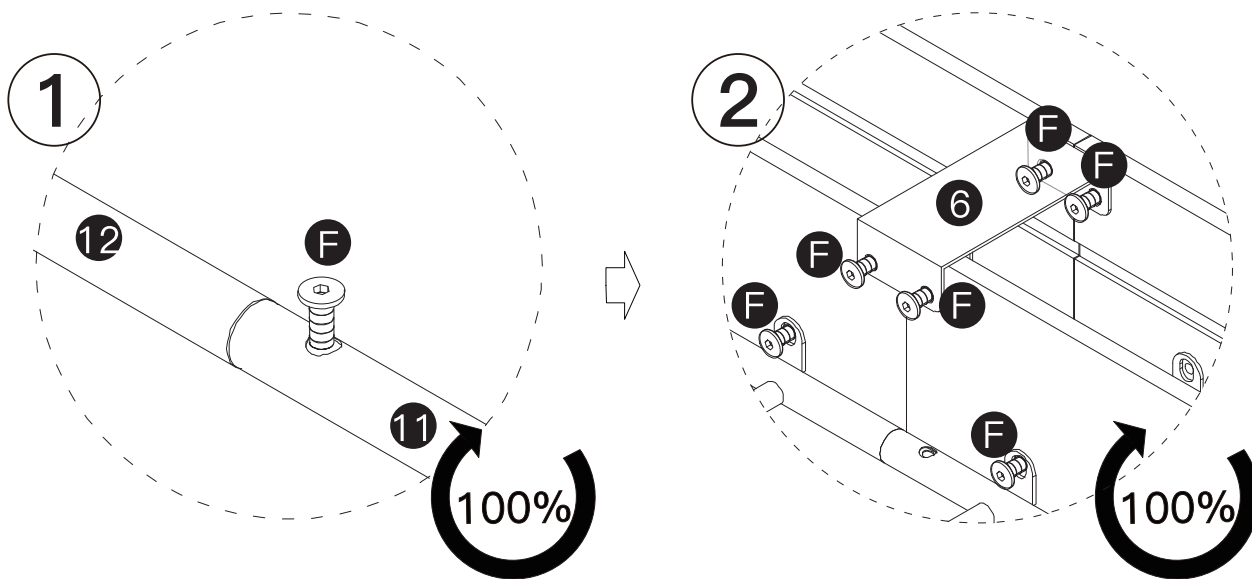
NOTICE:

- (1) Lifting part 11 will make part 13 easier to install.
- (2) Please ensure that the holes are aligned before installing the screws.
- (3) Do not tighten the screws until the eighth step is completed.

STEP 7



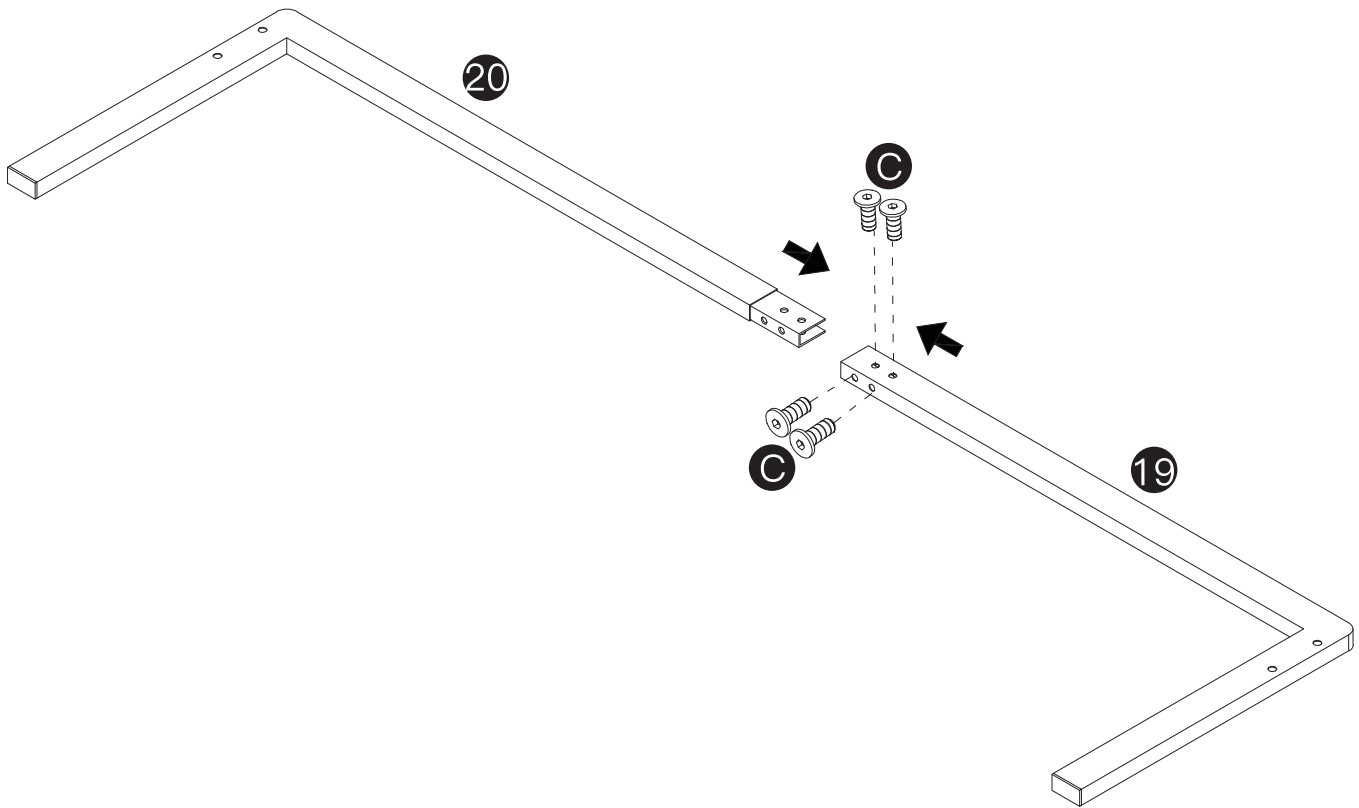
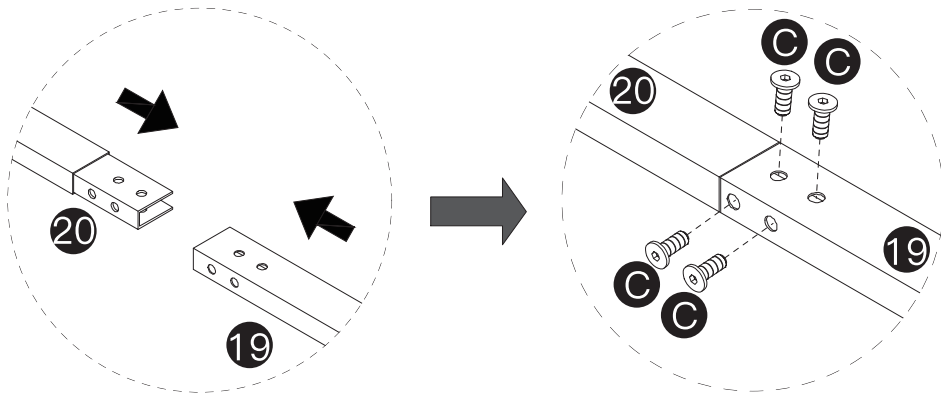
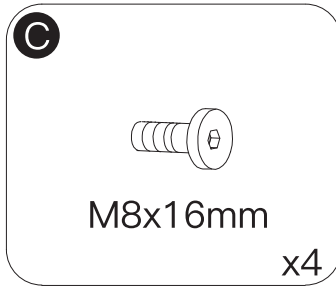
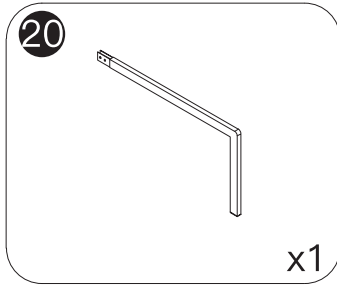
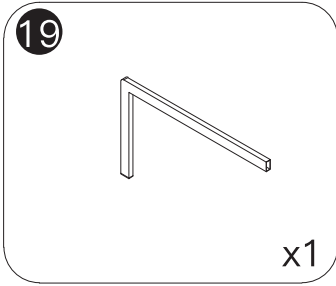
STEP 8



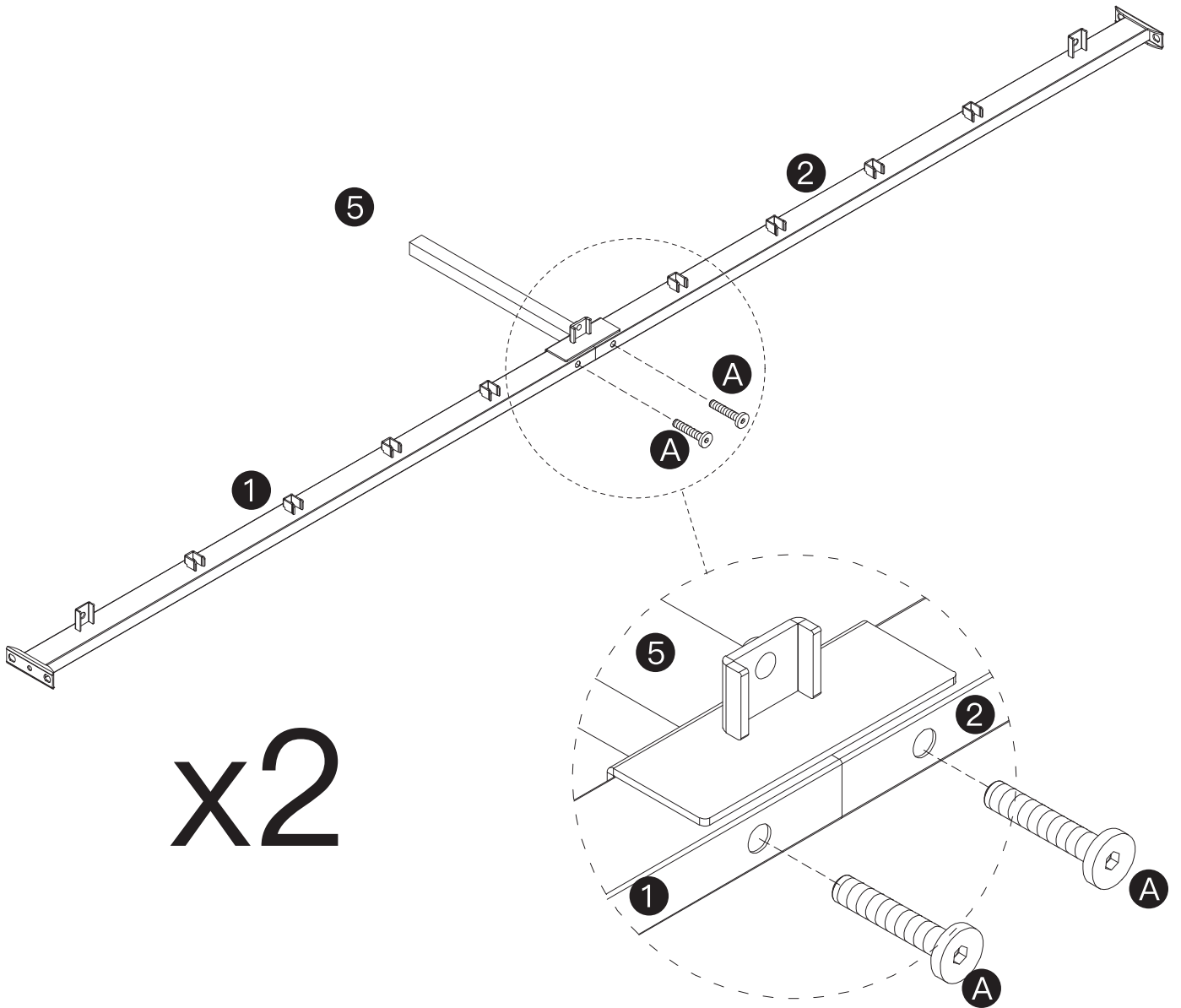
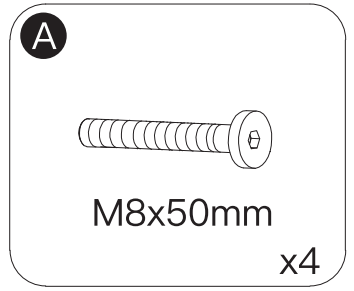
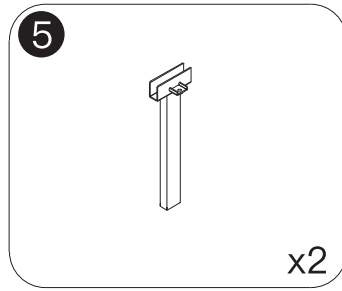
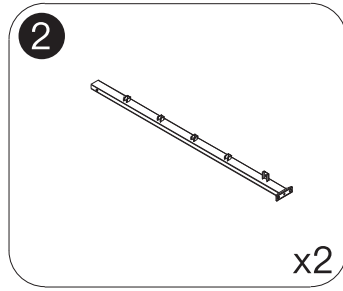
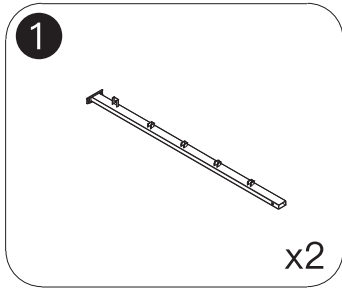
NOTICE:

- (1) Adjust the gap of the middle plate properly.
- (2) Tighten the screws according to Figure 1 and Figure 2 .
- (3) Tighten all screws .

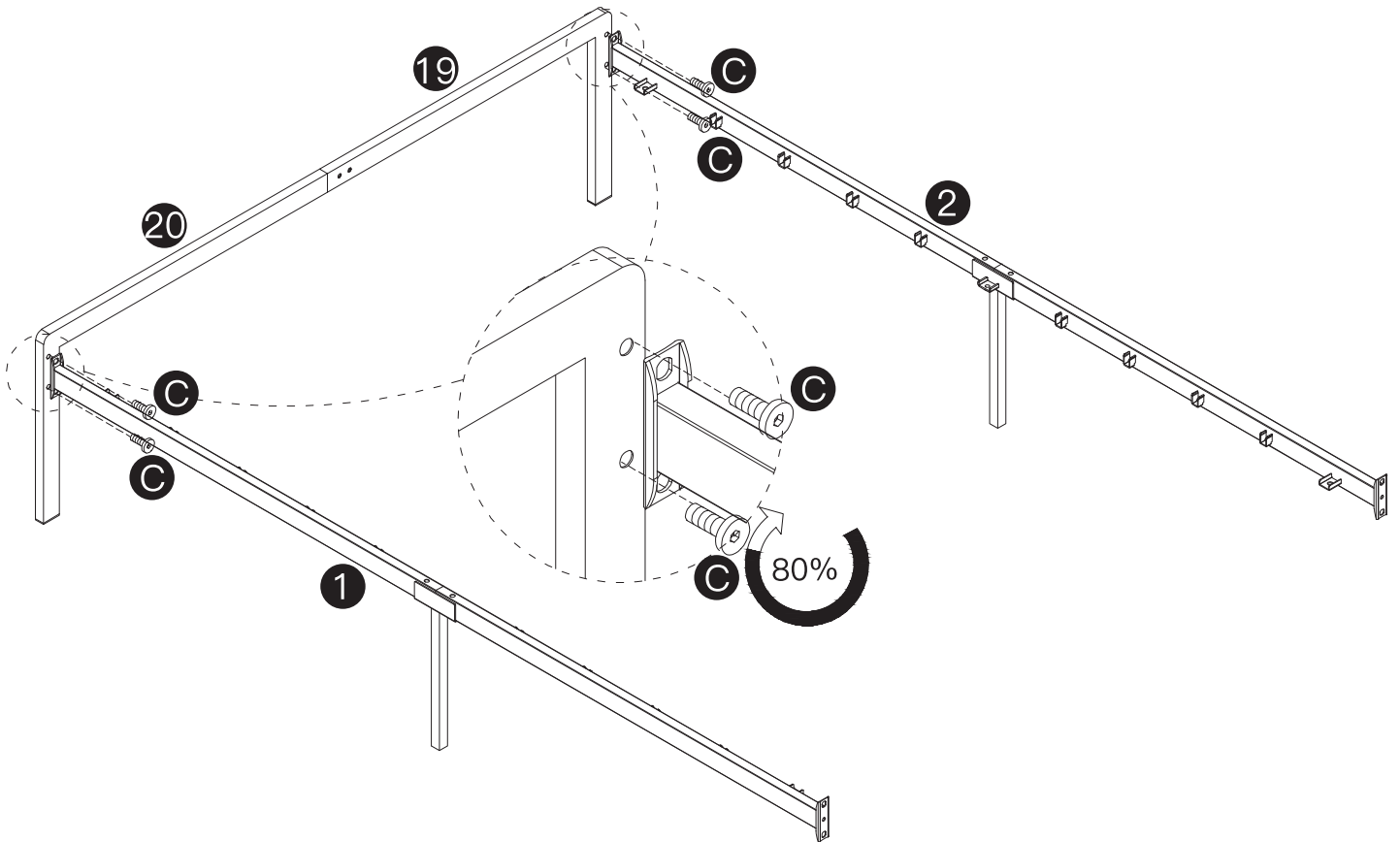
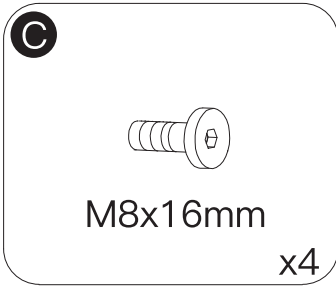
STEP 9



STEP 10



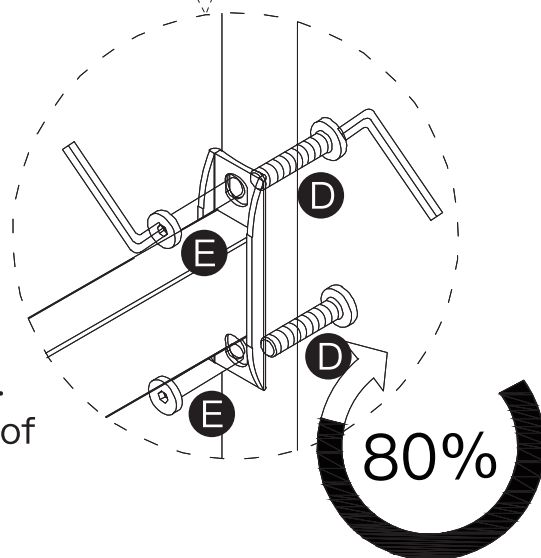
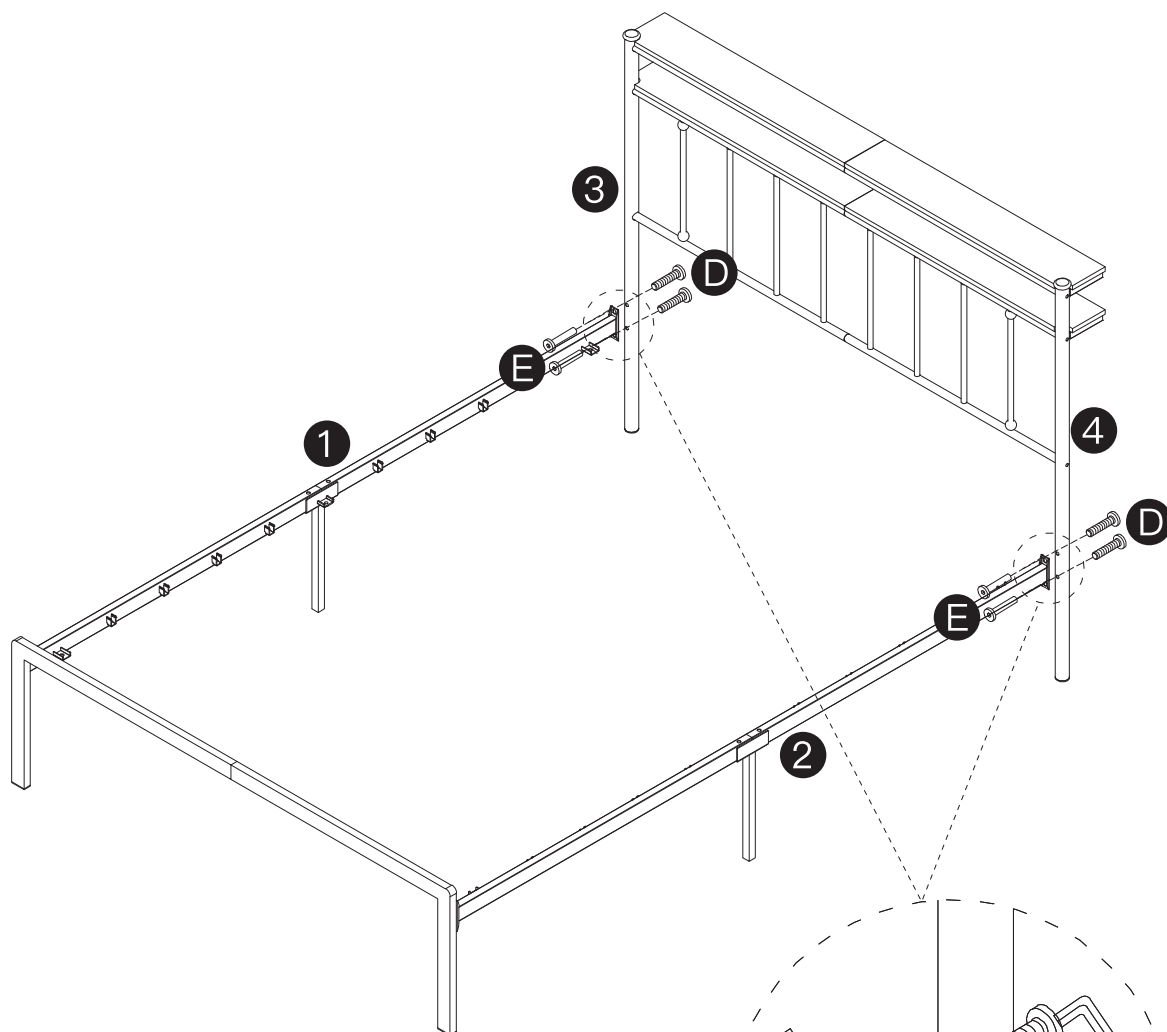
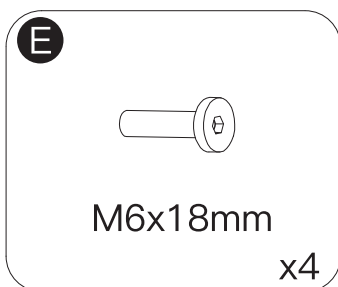
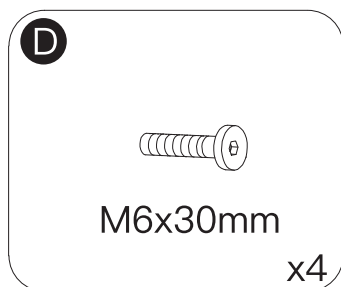
STEP 11



NOTICE:

Do not tighten the screws until all of them are in right position.

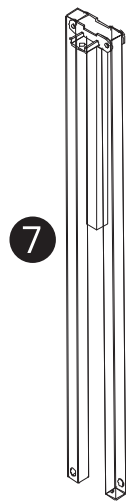
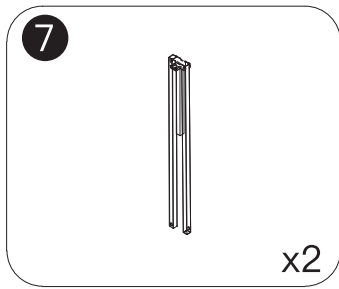
STEP 12



NOTICE:

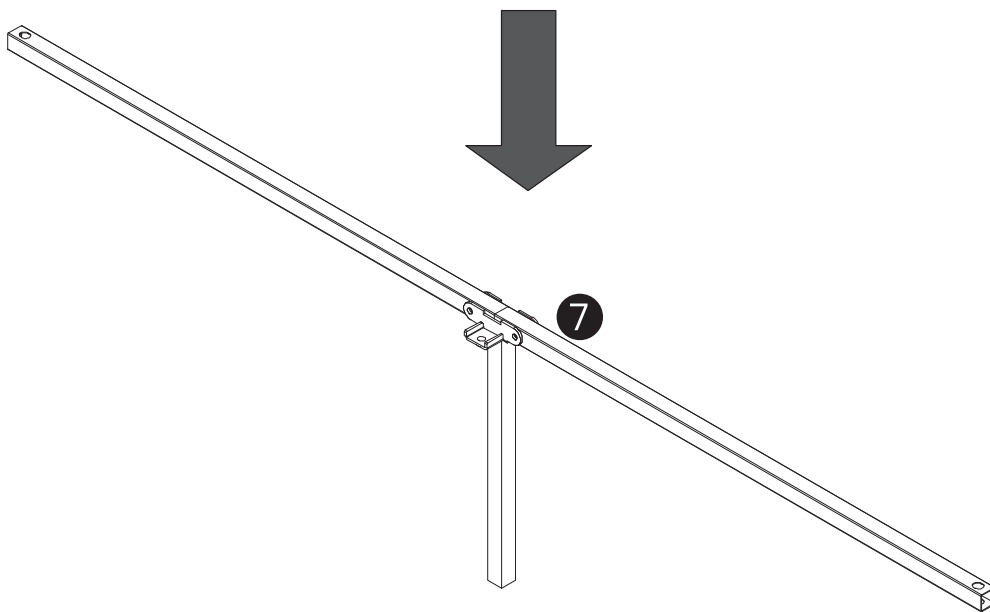
- (1) Secure part **E** first with hex screwdriver, then lock it with part **D**.
- (2) Do not tighten the screws until all of them are in right position.

STEP 13



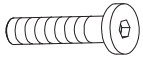
NOTICE:

To prevent getting caught, please be careful when unfolding.



STEP 14

B

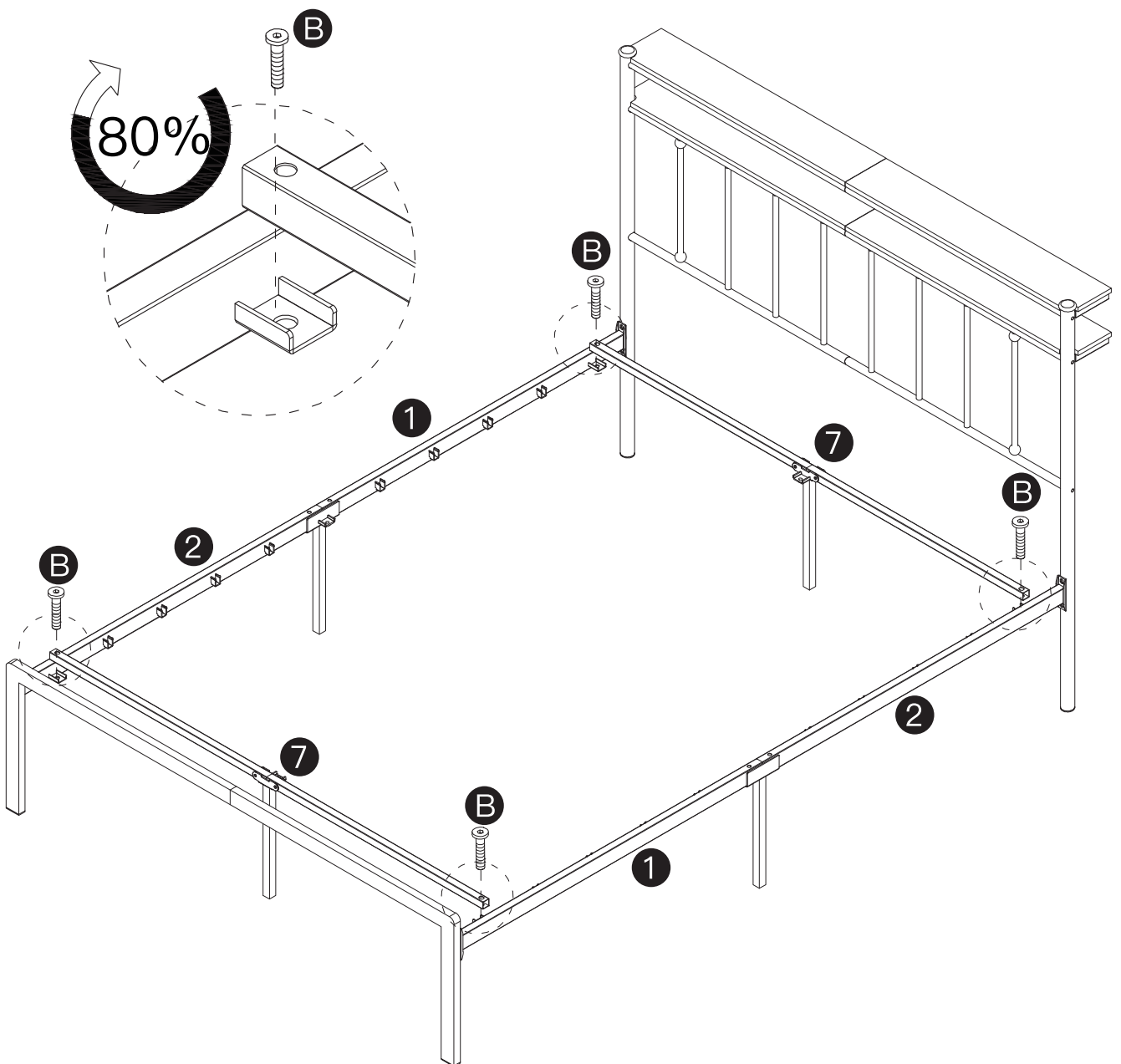


M8x30mm

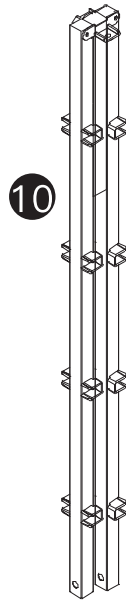
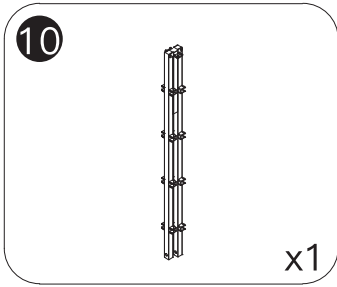
x4

NOTICE:

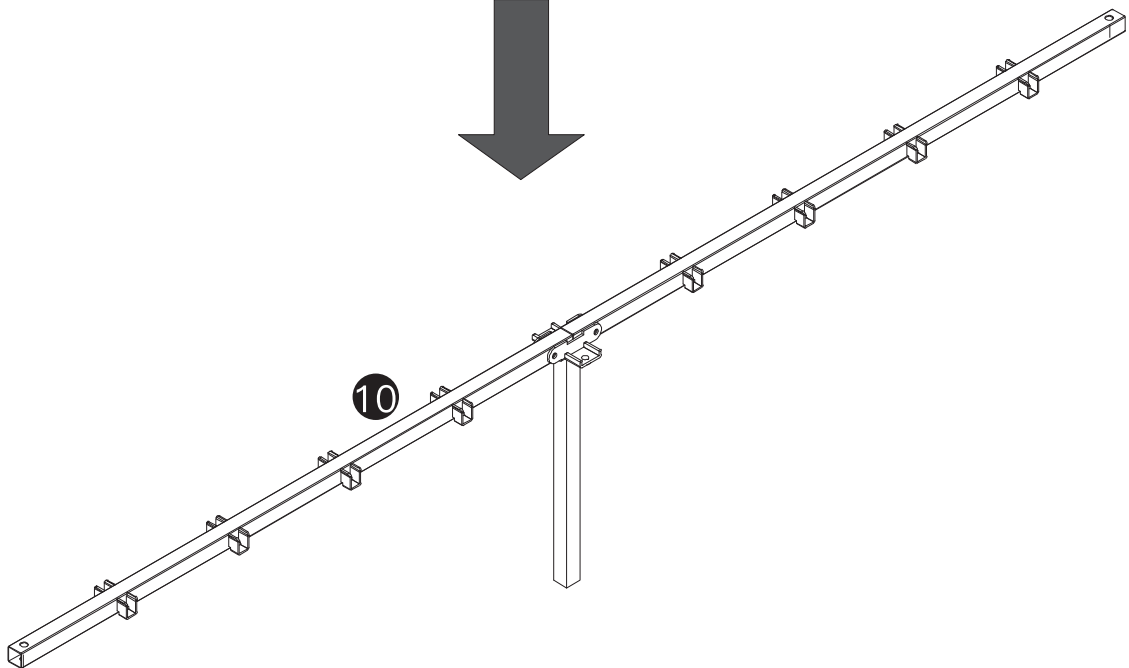
Do not tighten the screws until all of them are in right position.



STEP 15

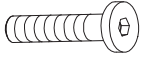


NOTICE:
To prevent getting caught, please
be careful when unfolding.



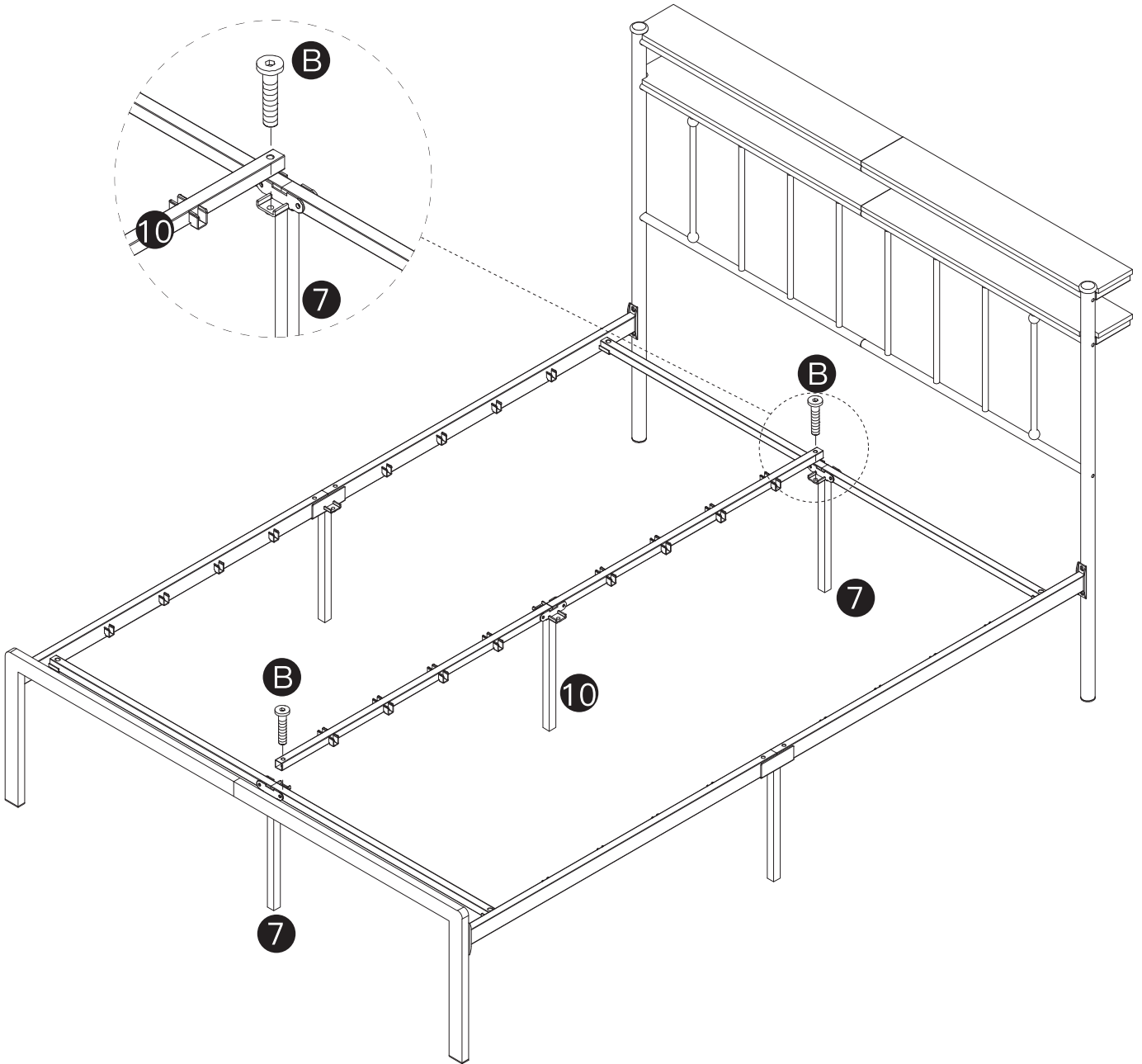
STEP 16

B

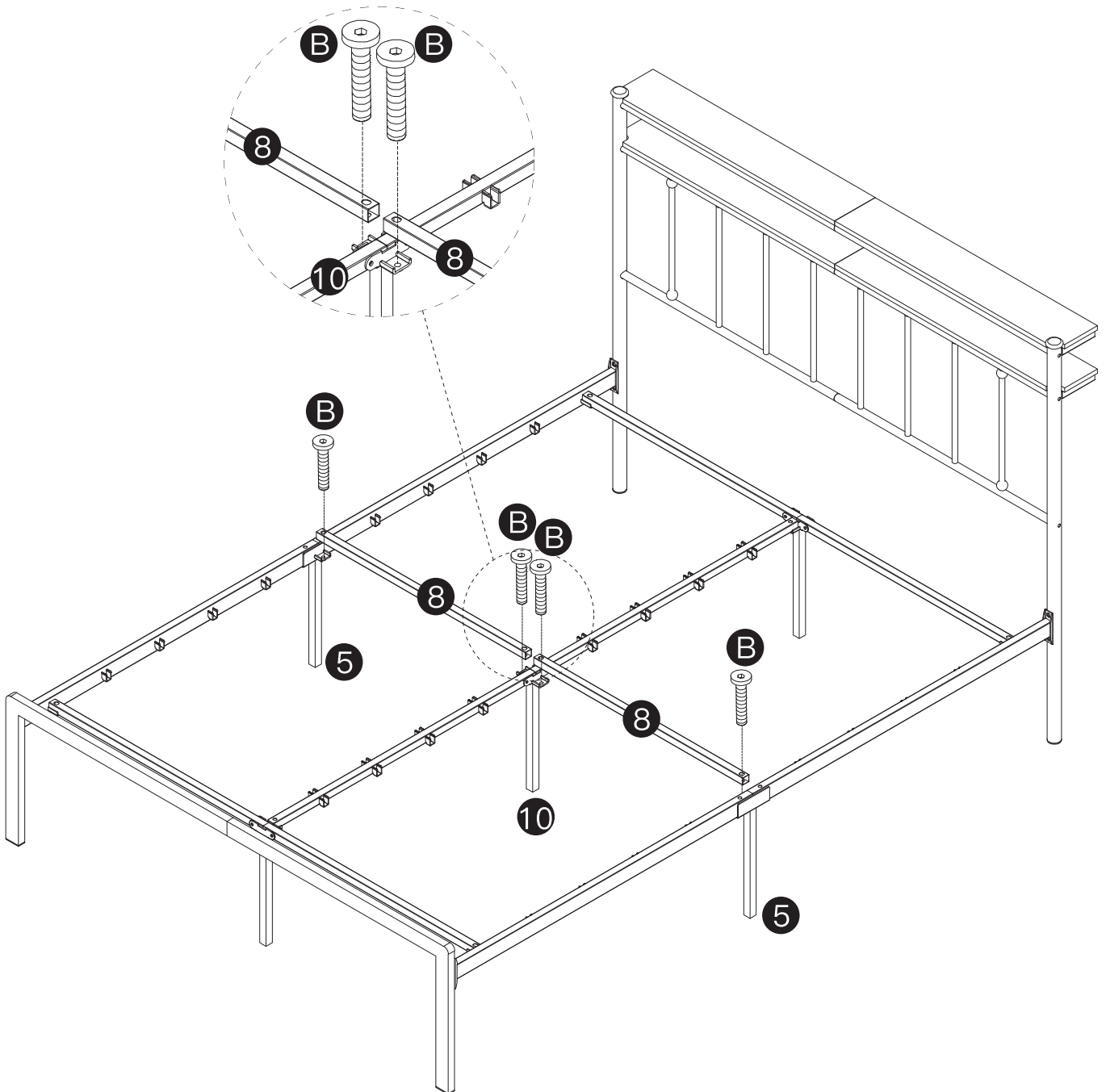
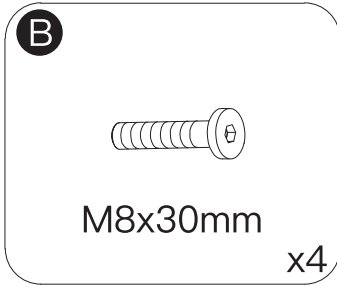
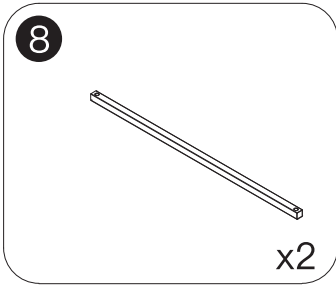


M8x30mm

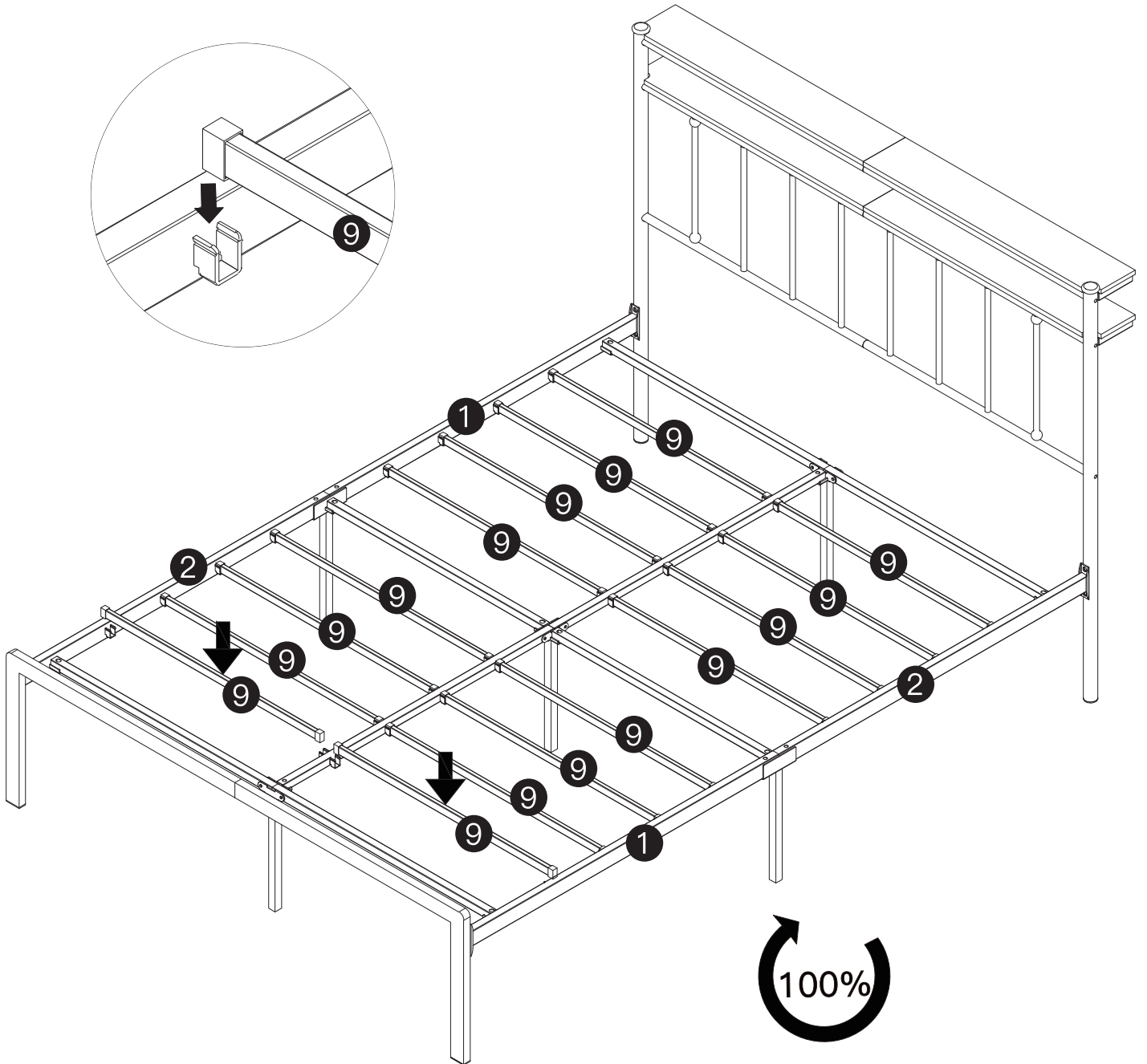
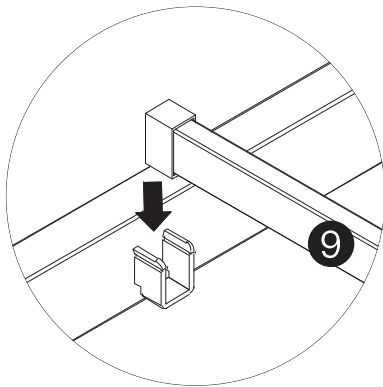
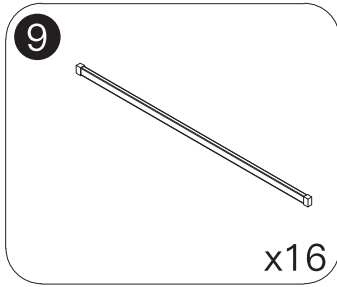
x2



STEP 17



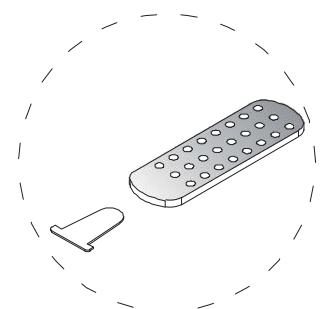
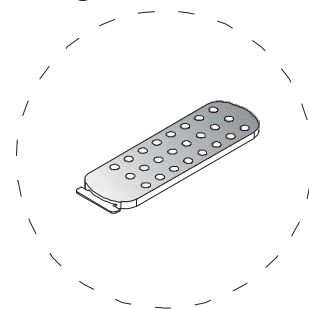
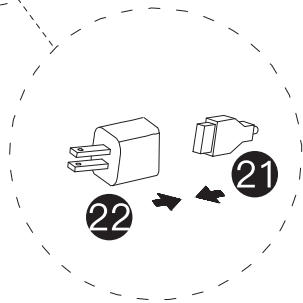
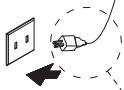
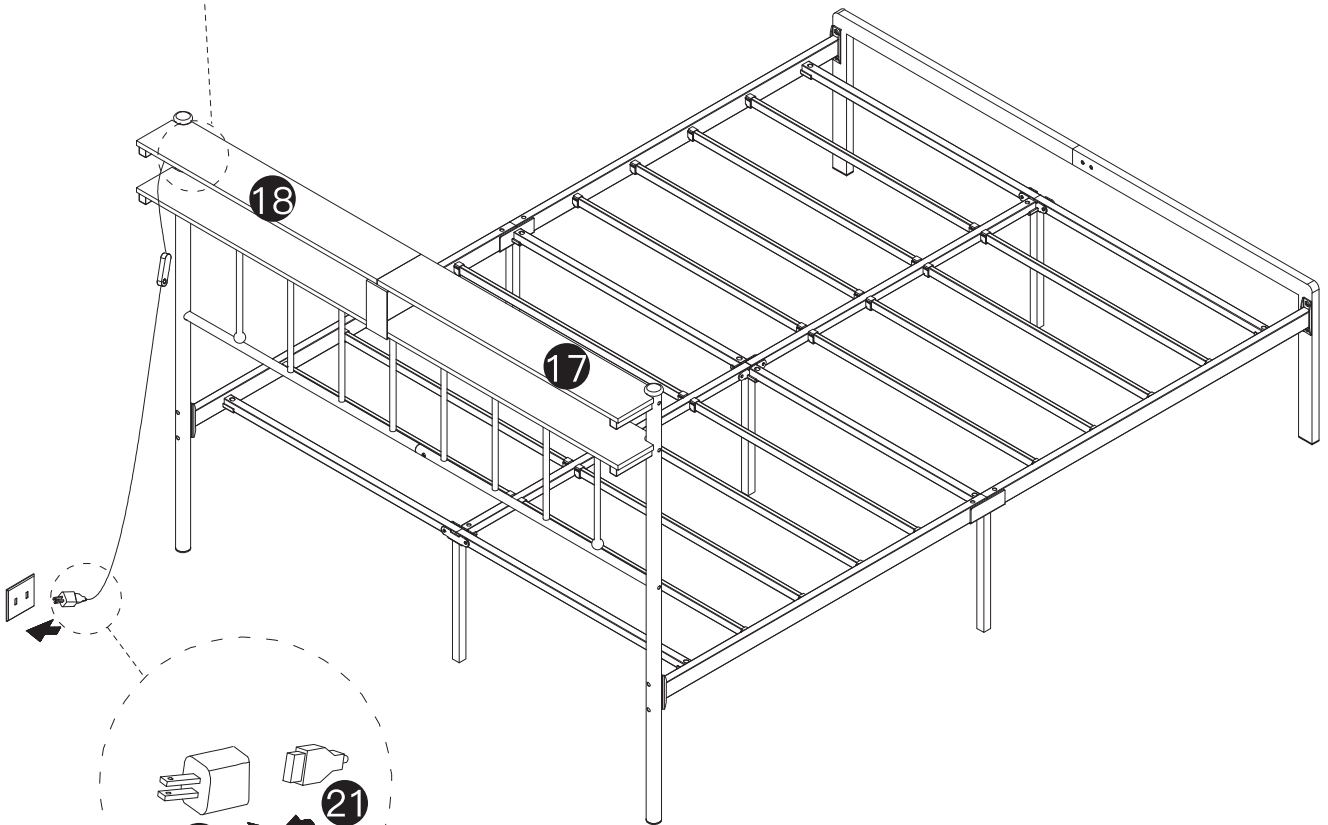
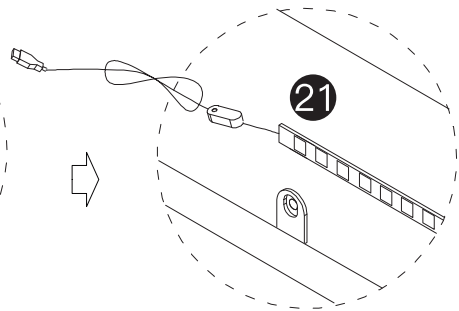
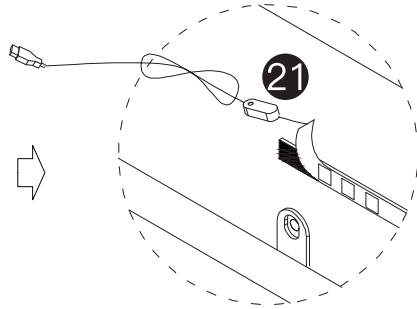
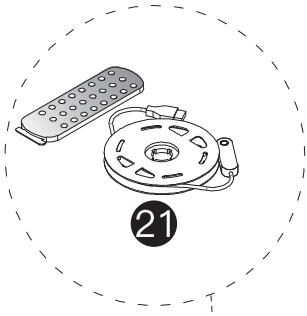
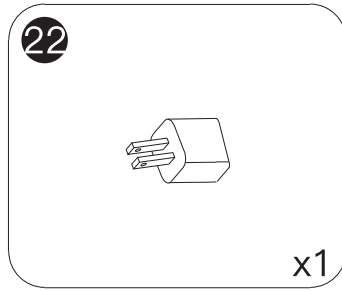
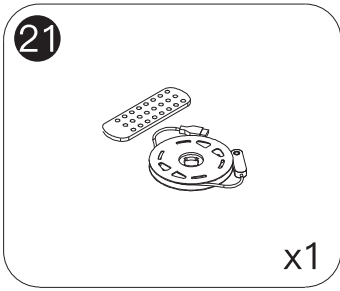
STEP 18



NOTICE:

Please tighten all screws in the step.

STEP 19



Extract the insulation sheet

After-Sale Support

Dear Customer,

Thank you for choosing to purchase our products! We attach great importance to your shopping experience and hope to ensure that you are satisfied with this purchase.

Should you have any questions, please contact us through the original purchase platform. We will reply your messages as soon as possible, please kindly wait for the response from our team.

Thank you again for your understanding and support! If you have any other questions, please feel free to contact us at any time.

Best Regards,
After sales service team