







Examine all packaging material for small parts that may have come loose during shipment. Periodic checks are recommended to insure that all components are in proper position, tight and free from damage. Keep this assembly instruction for future reference. Adult assembly is required.

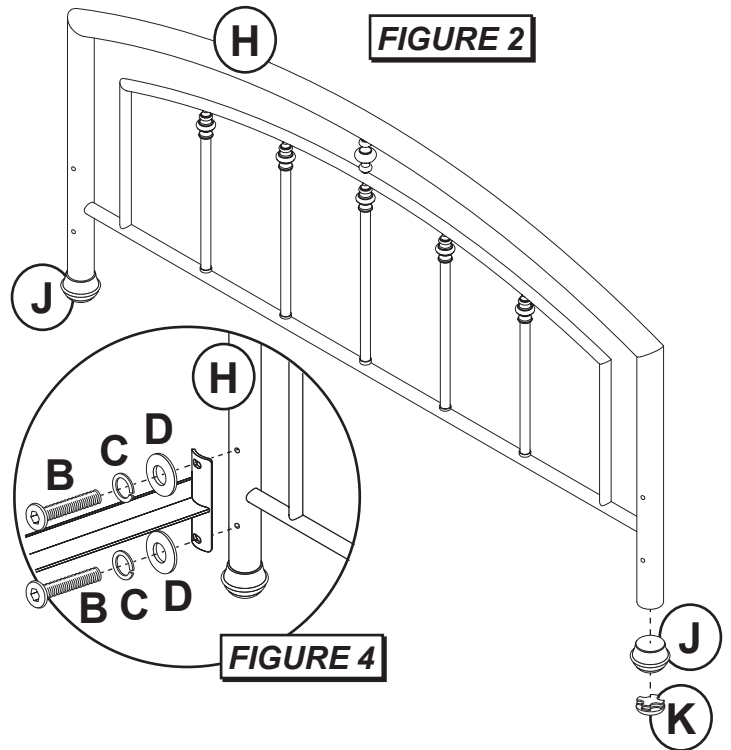
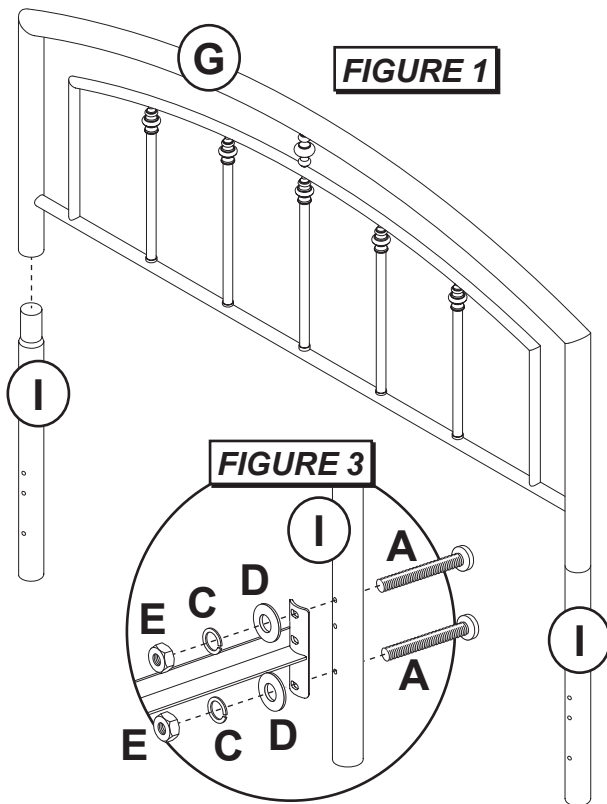
HARDWARE LIST

- A (4) Long Allen Bolts
- B (4) Short Allen Bolts
- C (8) Spring Washers
- D (8) Flat Washers
- E (4) Hex Nuts
- F (1) Allen Wrench

PART	QTY	HARDWARE	PART	QTY	HARDWARE
A	4		B	4	
C	8		D	8	
E	4		F	1	

PARTS LIST

- G (1) Headboard Panel
- H (1) Footboard Panel
- I (2) Leg Extensions
- J (2) Bunn Feet
- K (2) Foot Glides



STEP 1

Begin assembly by first attaching Bunn Feet (J) to bottom of posts on Footboard Panel (H). Next attach Foot Glides (K) into Bunn Feet (J). See **Figures 1 and 2**.

STEP 2

Attach each Leg Extension (I) to each post on Headboard Panel (G). Once in place, attach Bed Frame (*not included) to each extension using 2 Long Allen Bolts (A), 2 Metal Washers (D), 2 Spring Washers (C) & 2 Hex Nuts (E) per each side. Tighten all bolts only using Allen Wrench (F) provided. See **Figure 3**.

STEP 3

Attach Bed Frame (*not included) to each post on Footboard Panel (H), using 2 Short Allen Bolts (B), 2 Metal Washers (D), 2 Spring Washers (C) per each side. Tighten all bolts only using Allen Wrench (F) provided. The assembly is now complete. **Figure 4**.

CARE & MAINTENANCE: The touch of a soft cloth is all the maintenance the finish will ever need. Please do not use harsh or abrasive cleaners for polishing, as they may cause damage to the finish. Periodic checks are recommended to make sure that all hardware is securely tightened.

HEADBOARD

Full/Queen Headboard Panel







Examine all packaging material for small parts that may have come loose during shipment. Periodic checks are recommended to insure that all components are in proper position, tight and free from damage. Keep this assembly instruction for future reference. Adult assembly is required.

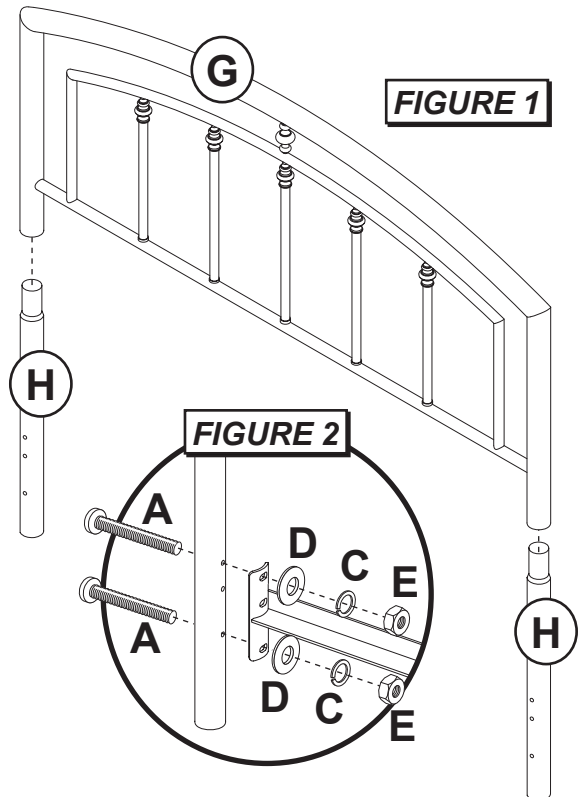
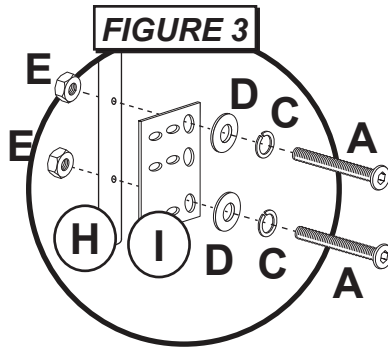
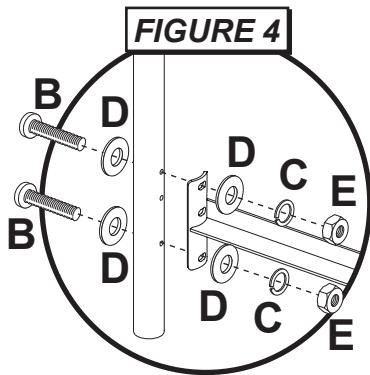
HARDWARE LIST

- A (4) Long Allen Bolts
- B (4) Short Allen Bolts
- C (8) Spring Washers
- D (12) Flat Washers
- E (8) Hex Nuts
- F (1) Allen Wrench

PARTS LIST

- G (1) Headboard Panel
- H (2) Leg Extensions
- I (2) Adapter Plates

PART	QTY	HARDWARE	PART	QTY	HARDWARE
A	4		B	4	
C	8		D	12	
E	8		F	1	



STEP 1 - Headboard Assembly Only

Begin assembly by first attaching each Leg Extension (H) to the bottom of each post on the Headboard Panel (G) by inserting in place.

STEP 2 - (For Queen Size Only)

Next, attach the Bed Frame (*not included) to each Leg Extension (H) using 2 Allen Bolts (A) from the backside, 2 Flat Washers (D), 2 Spring Washers (C) & 2 Hex Nuts (E) per each post. Tighten all bolts using the Allen Wrench (F) that has been provided. The assembly is now complete. See **Figure 2**.

STEP 3 - (For Full Size Only)

Attach Adapter Plate (I) to each Bed Post (H) using 2 Long Allen Bolts (A), 2 Spring Washers (C), 2 Flat Washers (D) & 2 Hex Nuts (E) per each side. Tighten all bolts and nuts. See **Figure 3**.

STEP 4 - (For Full Size Only)

Attach Bed Frame (*not included) to each Adapter Plate (I), using 2 Short Allen Bolts (B) & 2 Flat Washers (D) fromn the outside and 2 Flat Washers (D), 2 Spring Washers (C) & 2 Hex Nuts (E) per each inside. Tighten all bolts and nuts. The assembly is now complete. See **Figure 4**.

CARE & MAINTENANCE: The touch of a soft cloth is all the maintenance the finish will ever need. Please do not use harsh or abrasive cleaners for polishing, as they may cause damage to the finish. Periodic checks are recommended to make sure that all hardware is securely tightened.

HEADBOARD

King Size - Metal H/B Panel






Examine all packaging material for small parts that may have come loose during shipment. Periodic checks are recommended to insure that all components are in proper position, tight and free from damage. Keep this assembly instruction for future reference. Adult assembly is required.

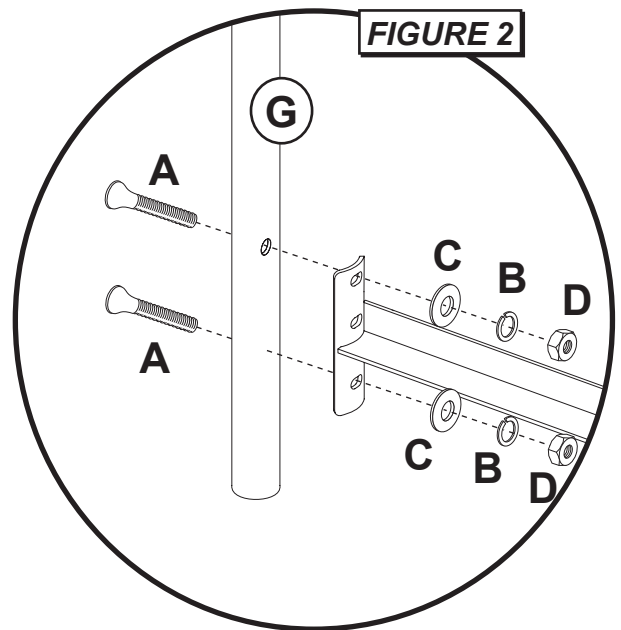
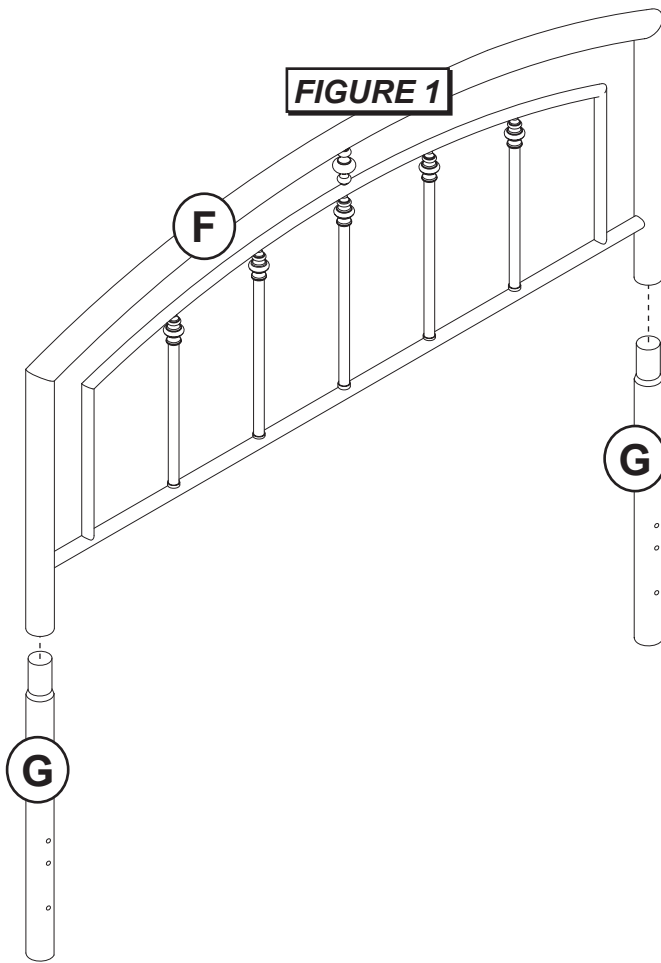
HARDWARE LIST

- A (4) Counter Bolts
- B (4) Spring Washers
- C (4) Flat Washers
- D (4) Hex Nuts
- E (1) Allen Wrench

PARTS LIST

- F (1) Headboard Panel
- G (2) Leg Extensions

PART	QTY	HARDWARE	PART	QTY	HARDWARE
A	4		B	4	
C	4		D	4	
E	1				



STEP 1 - Headboard Assembly Only

Begin assembly by attaching each Leg Extension (G) to the bottom of each post on the Headboard Panel (F) by inserting in place.

STEP 2 - Headboard Assembly Only

Next, attach the Bed Frame (*not included) to each Leg Extension (G) using 2 Counter Bolts (A) from the outside, and 2 Flat Washers (C), 2 Spring Washers (B) & 2 Hex Nuts (D) per each post. Tighten all bolts using the Allen Wrench (E) that has been provided. The assembly is now complete.

CARE & MAINTENANCE: The touch of a soft cloth is all the maintenance the finish will ever need. Please do not use harsh or abrasive cleaners for polishing, as they may cause damage to the finish. Periodic checks are recommended to make sure that all hardware is securely tightened.







DUO PANEL

King Size - Metal H/B Panel

Examine all packaging material for small parts that may have come loose during shipment. Periodic checks are recommended to insure that all components are in proper position, tight and free from damage. Keep this assembly instruction for future reference. Adult assembly is required.

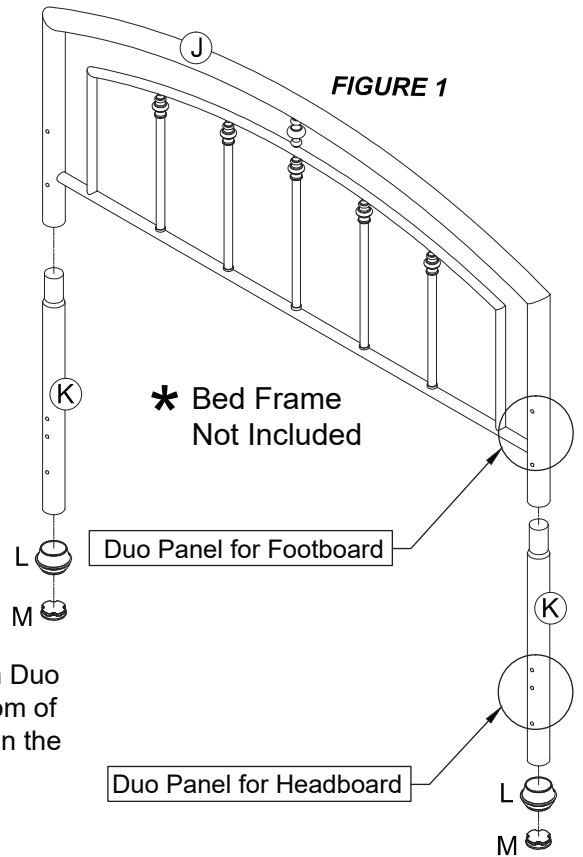
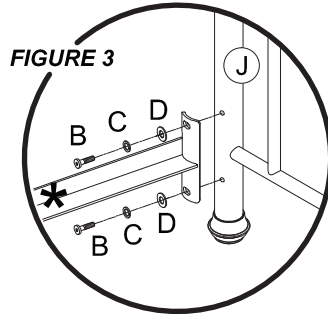
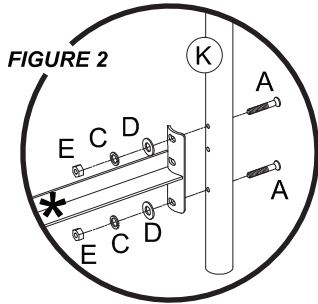
HARDWARE LIST

- A (4) Long Allen Bolts
- B (4) Short Allen Bolts
- C (4) Spring Washers
- D (4) Flat Washers
- E (4) Hex Nuts
- F (1) Allen Wrench

PART	QTY	HARDWARE	PART	QTY	HARDWARE
A	4		B	4	
C	4		D	4	
E	4		F	1	

PARTS LIST

- J (1) Duo Panel
- K (2) Leg Extensions
- L (2) Bunn Feet
- M (2) Foot Glides



STEP 1 - For Headboard Only

Begin assembly by first attaching each Leg Extension (K) to each Post on Duo Panel (J) by firmly sliding into place. Also attach Bunn Foot (L) to the bottom of both Leg Extensions by inserting in place and insert each Foot Glide (M) in the bottom of each Bunn Foot. See Figure 1.

STEP 1 - For Headboard Only

Begin assembly by first attaching each Leg Extension (K) to each Post on Duo Panel (J) by firmly sliding into place. See Figure 1.

STEP 2 - For Headboard Only

Attach Bed Frame or Trundle Panel (* Not included) to each Leg Extension (K), using 2 Long Allen Bolts (A) from the back side, 2 Metal Washers (D), 2 Spring Washers (C) & 2 Hex Nuts (E) per each side. Tighten all bolts only using Allen Wrench (F) provided. See Figure 2. The Assembly is now complete.

STEP 3 - For Footboard Only

Attach Bed Frame or Trundle Panel (* Not included) to each post on Duo Panel (J), using 2 Short Allen Bolts (B), 2 Metal Washers (D) & 2 Spring Washers (C) per each side. Tighten all bolts only using Allen Wrench (F) provided. See Figure 3. The Assembly is now complete.

CARE & MAINTENANCE: The touch of a soft cloth is all the maintenance the finish will ever need. Please do not use harsh or abrasive cleaners for polishing, as they may cause damage to the finish. Periodic checks are recommended to make sure that all hardware is securely tightened.