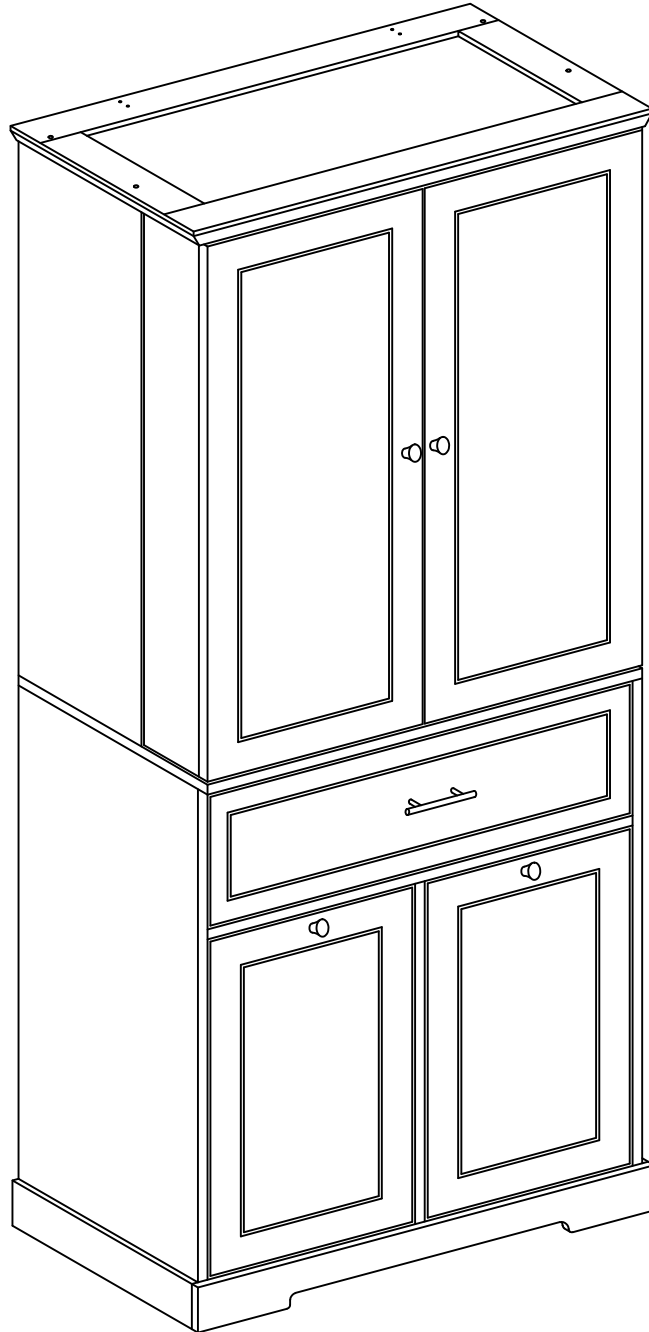
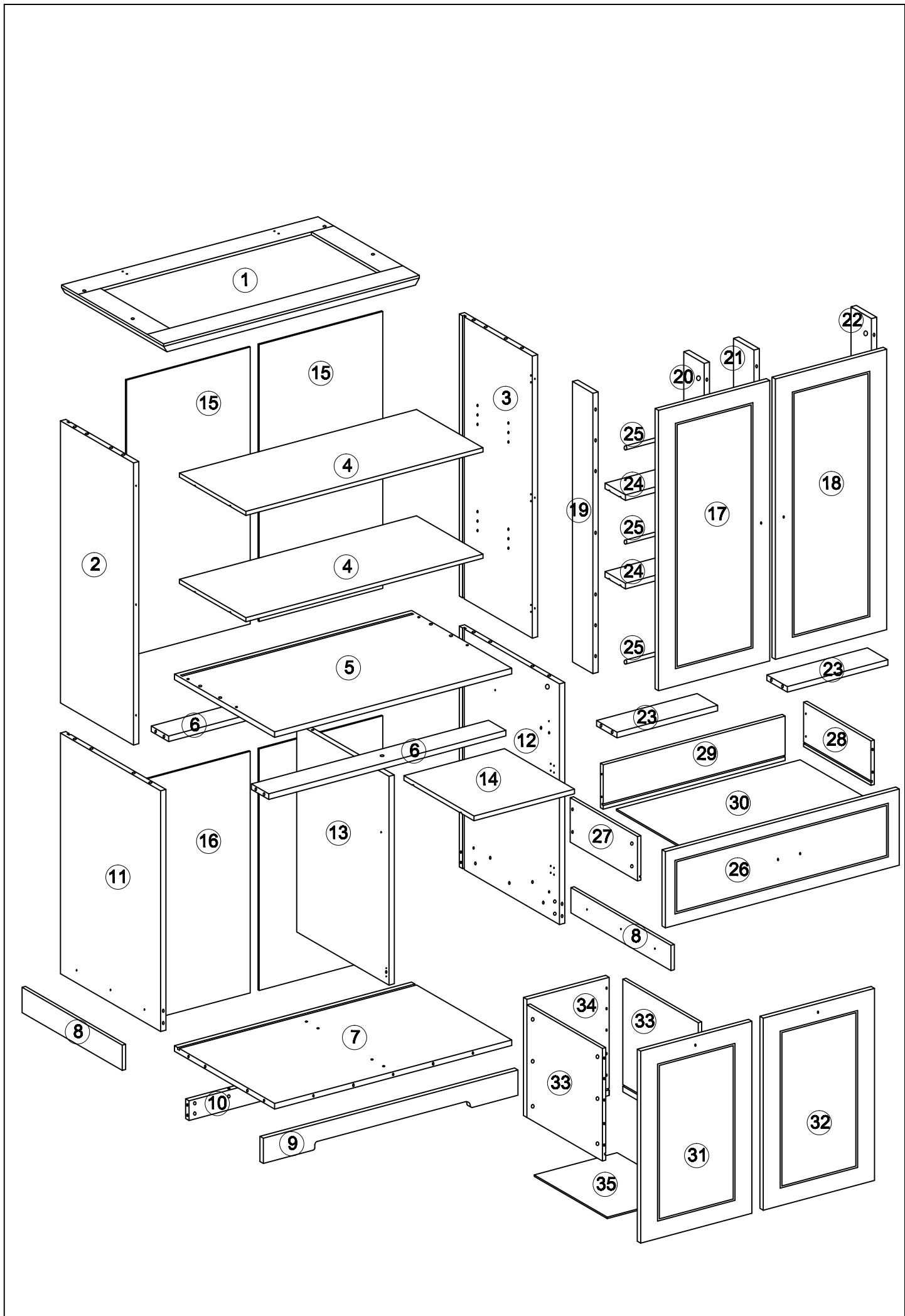
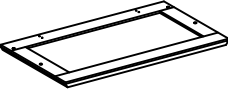
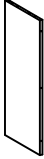


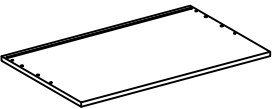

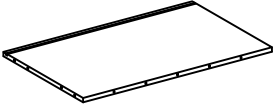


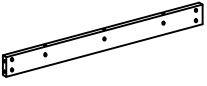

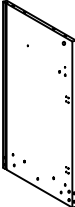
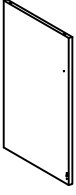
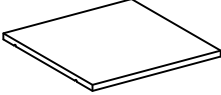
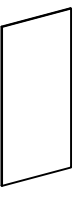
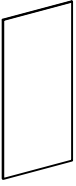
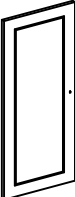

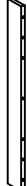






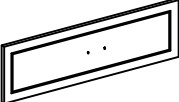
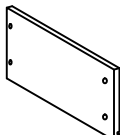
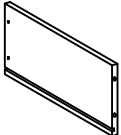


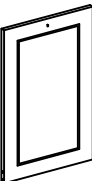
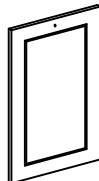


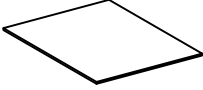


Assembly instruction

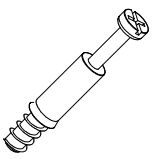
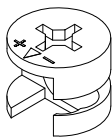
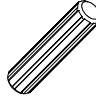

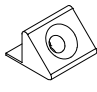
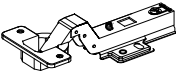
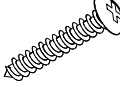
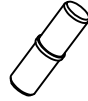
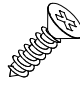
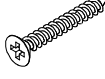


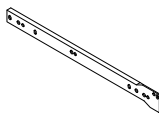
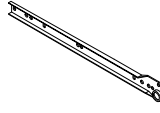
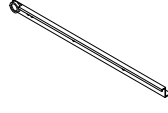
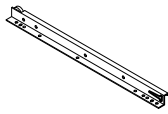

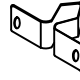
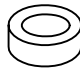
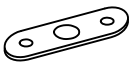
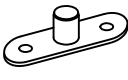

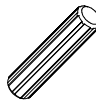
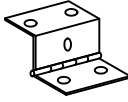
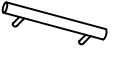








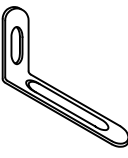

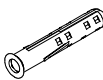
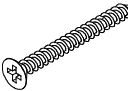
Parts List

 ① x 1	 ② x 1	 ③ x 1	 ④ x 2	 ⑤ x 1
 ⑥ x 2	 ⑦ x 1	 ⑧ x 2	 ⑨ x 1	 ⑩ x 1
 ⑪ x 1	 ⑫ x 1	 ⑬ x 1	 ⑭ x 1	 ⑮ x 2
 ⑯ x 2	 ⑰ x 1	 ⑱ x 1	 ⑲ x 1	 ⑳ x 1
 ㉑ x 1	 ㉒ x 1	 ㉓ x 2	 ㉔ x 4	 ㉕ x 6
 ㉖ x 1	 ㉗ x 1	 ㉘ x 1	 ㉙ x 1	 ㉚ x 1
 ㉛ x 1	 ㉜ x 1	 ㉝ x 2	 ㉞ x 1	 ㉟ x 1

Hardware

A x 70+2 	B x 70+2 	C x 24+2 	D x 30+2 	E x 24 
F x 2 	G x 6 	H x 28+1 	I x 24+2 	J x 4 
K x 4 	L x 6 	CL x 1 	CR x 1 	DL x 1 
DR x 1 	M x 2+1 	N x 2+1 	O x 2 	P x 2 
Q x 2 	R x 38+2 	S x 16+2 	T x 6 	U x 1 
AA x 1 	AB x 1 	AC x 12 	AD x 1 	

Restraint Device Hardware

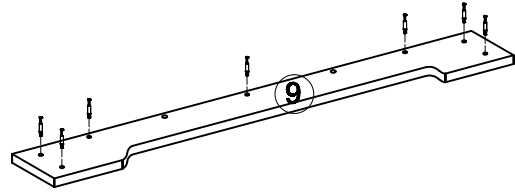
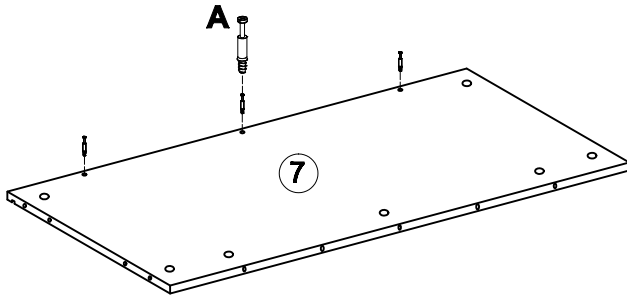
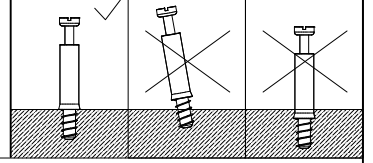
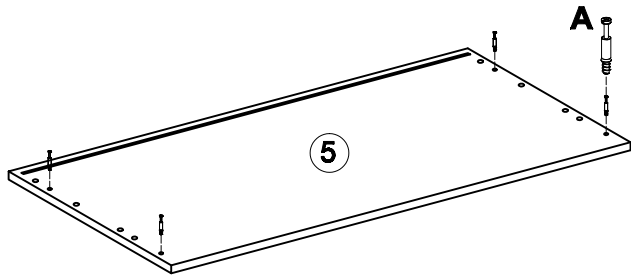
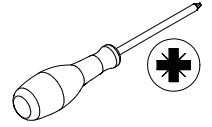
Y x 2 	Z x 4 	W x 2 	X x 2 	
---	---	---	---	--

STEP 1

A x 14



Ø6 x 35mm



STEP 2

M x 2



I x 4



Ø3.5 x 12mm

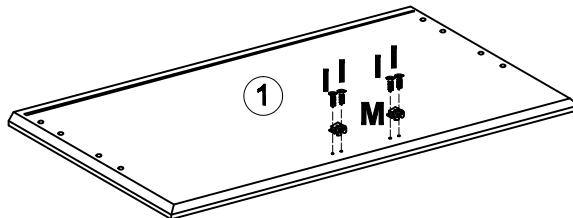
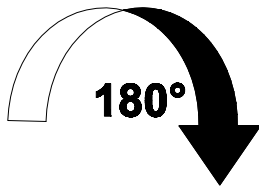
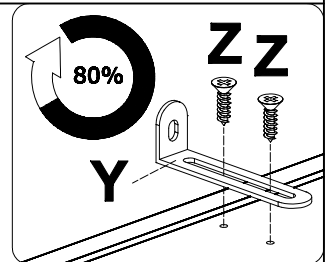
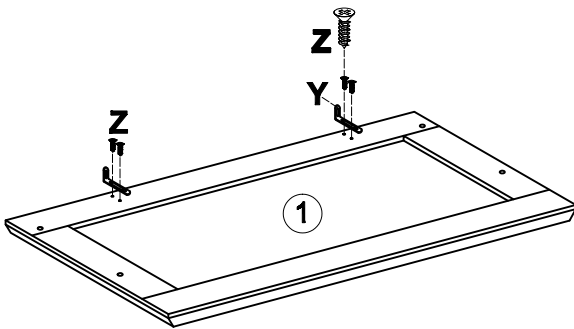
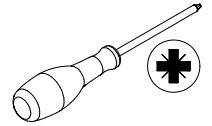
Y x 2



Z x 4



Ø3.5 x 14mm



STEP3

C x 8



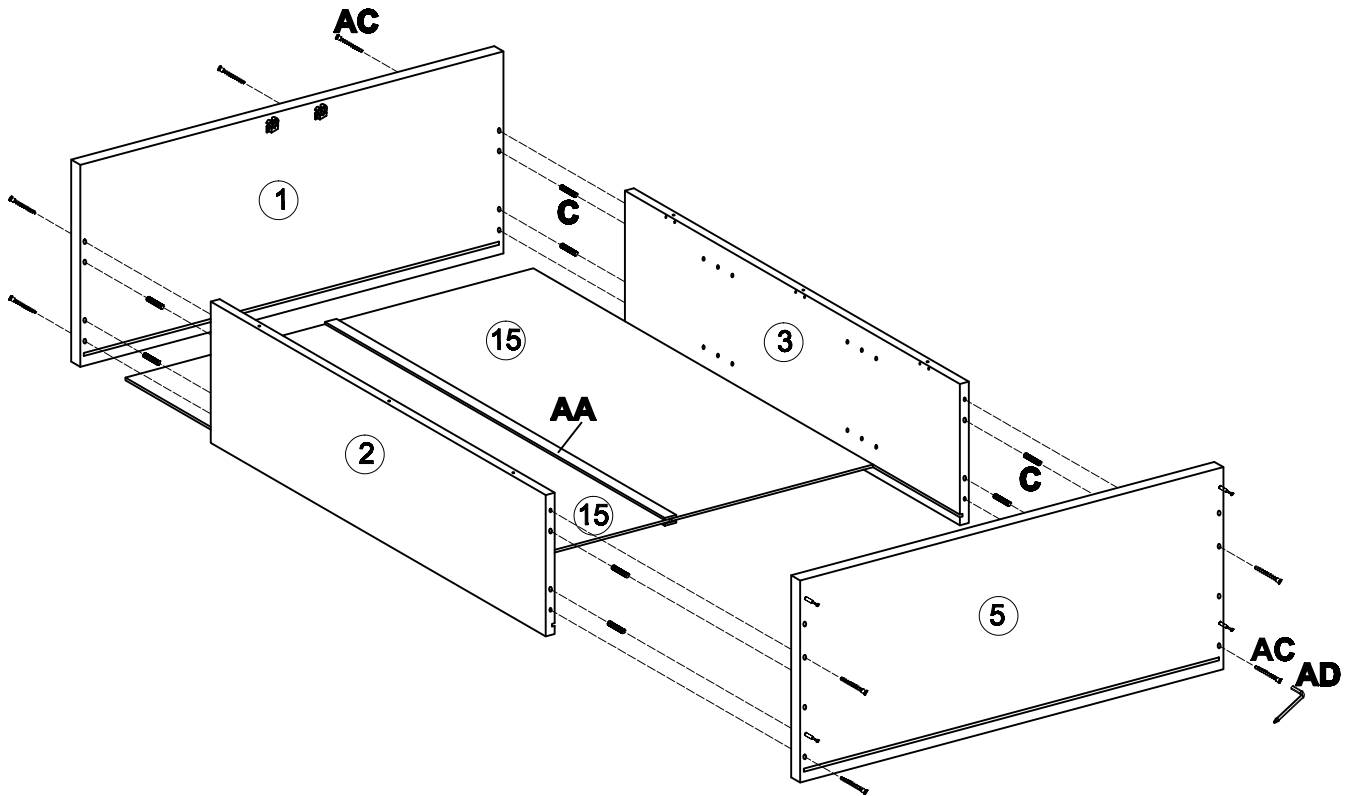
AC x 8



AD x 1



AA x 1



STEP4

B x 3



D x 1



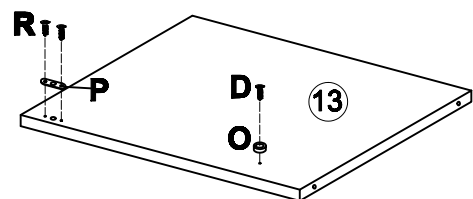
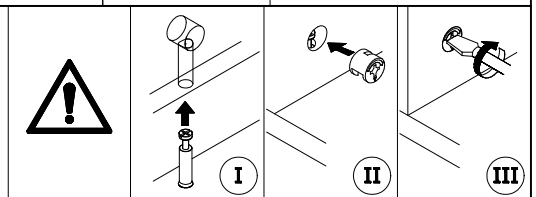
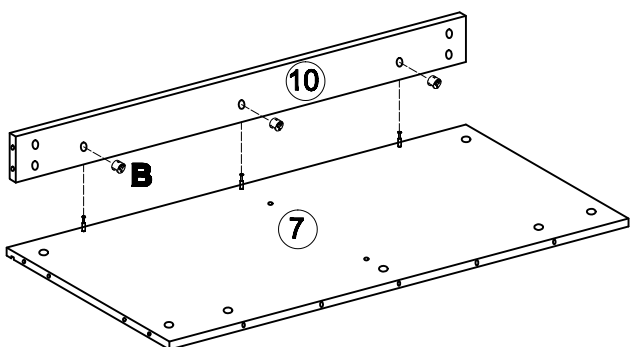
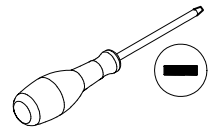
R x 2






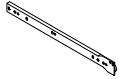
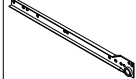



O x 1

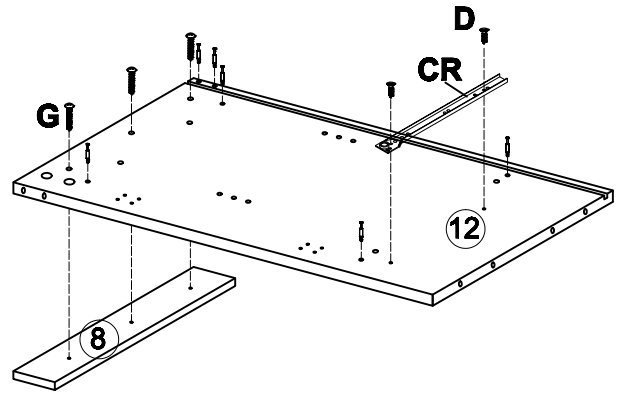
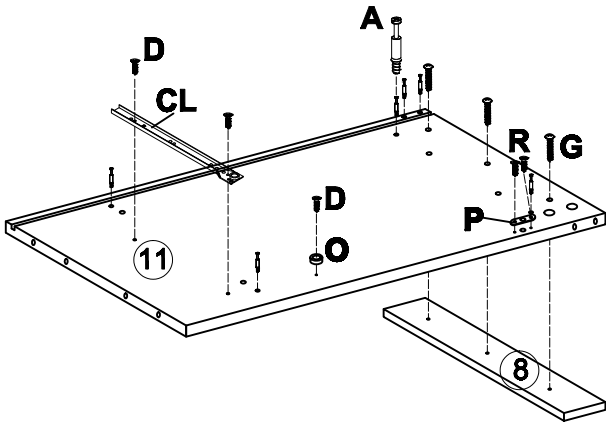


P x 1






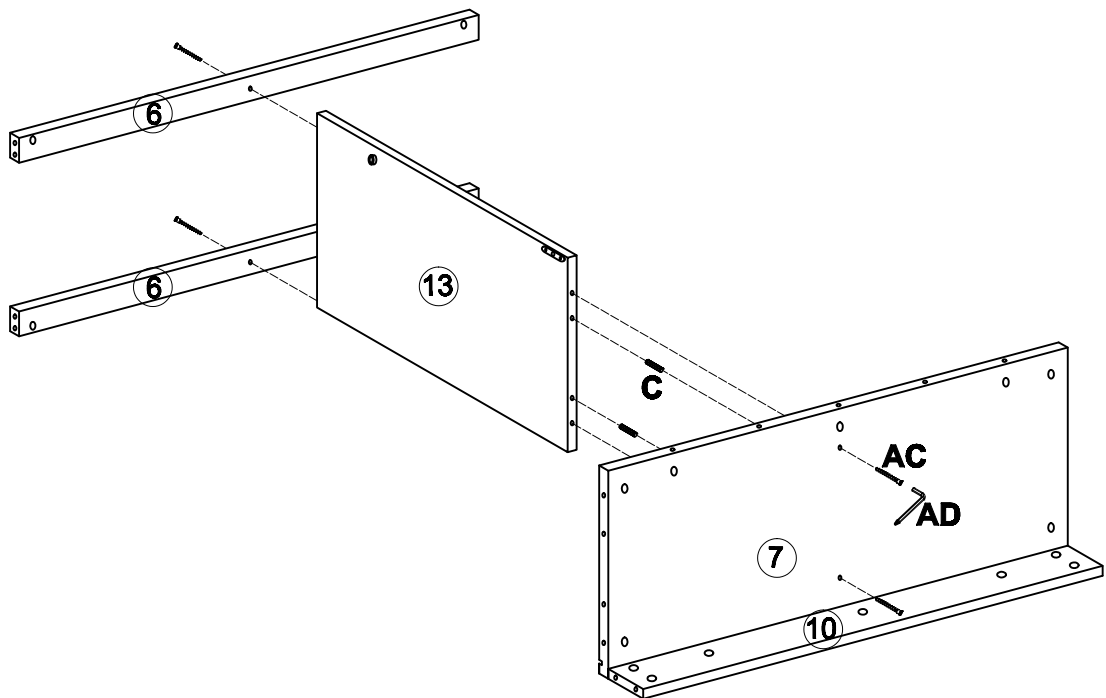
STEP5

A x 12  Ø6 x 35mm	D x 5  Ø3.5 x 14mm	R x 2  Ø3.0 x 14mm	CL x 1 	CR x 1 	G x 6  Ø3.5 x 25mm	O x 1 	P x 1 
---	--	--	--	---	--	---	---



STEP6

C x 2  Ø8 x 30mm	AC x 4 	AD x 1 	
--	--	--	--



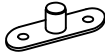
STEP 7

A x 12



Ø6 x 35mm

Q x 2



R x 4

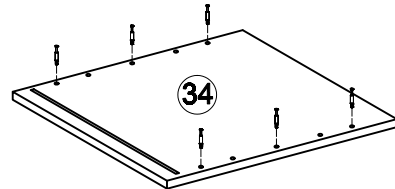
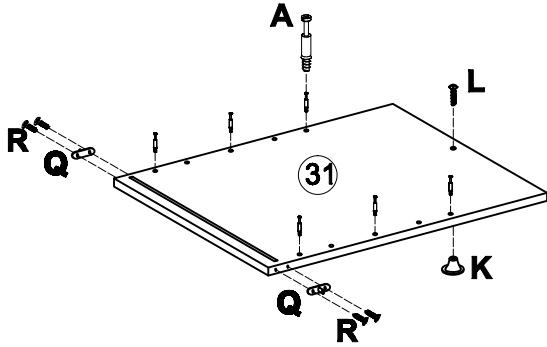
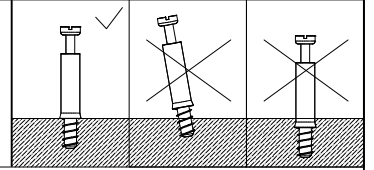
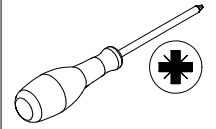


Ø3.0 x 14mm

K x 1



L x 1



STEP 8

B x 12

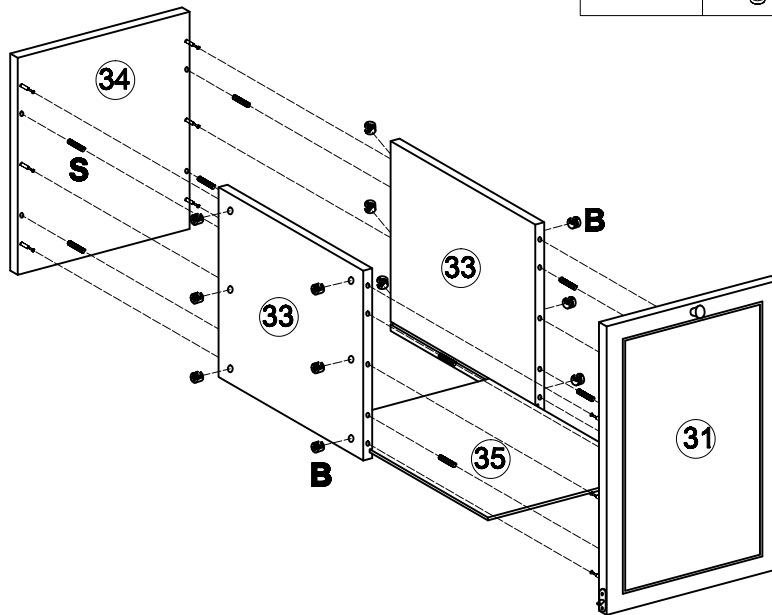
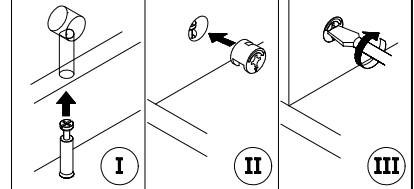
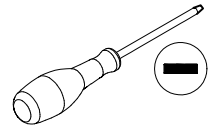
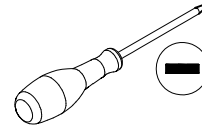


Ø15 x 9.5mm

S x 8



Ø6 x 30mm



STEP 9

B x 12

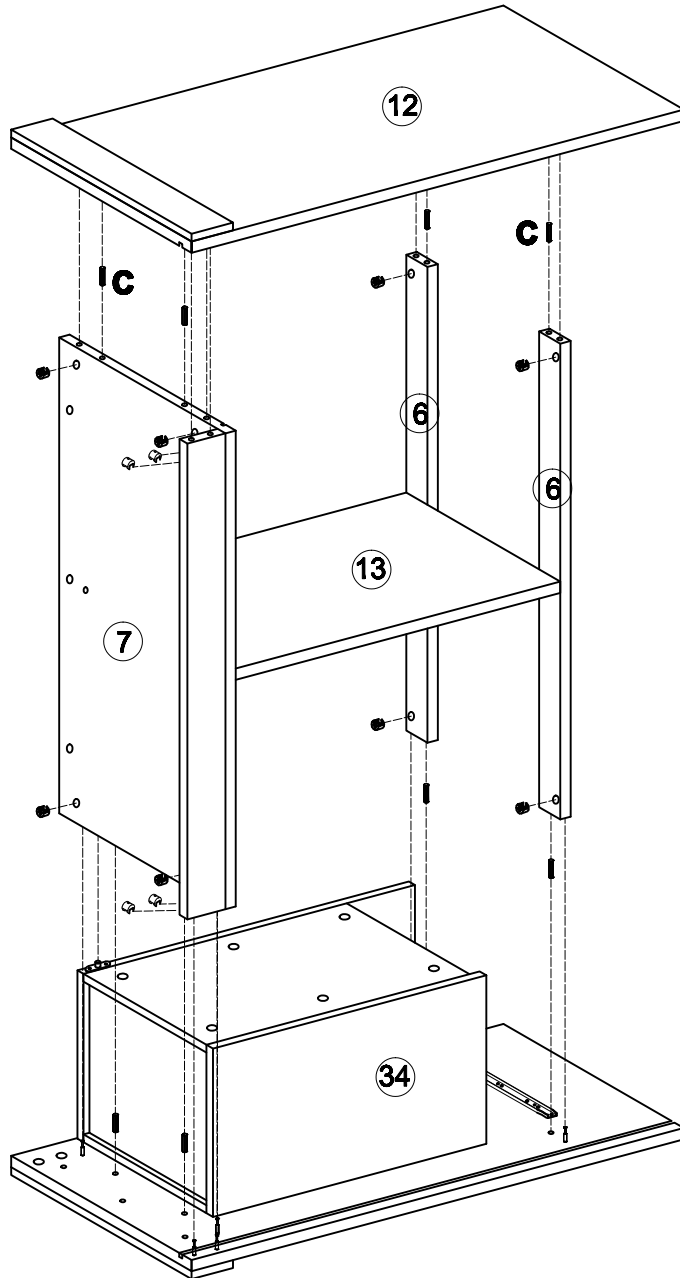
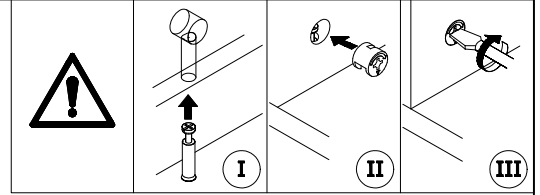
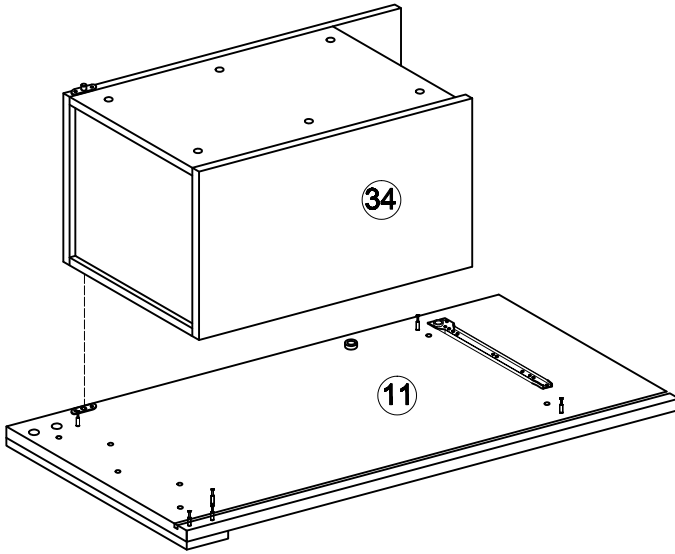
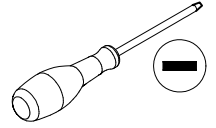


Ø15 x 9.5mm

C x 8



Ø8 x 30mm



STEP 10

B x 7



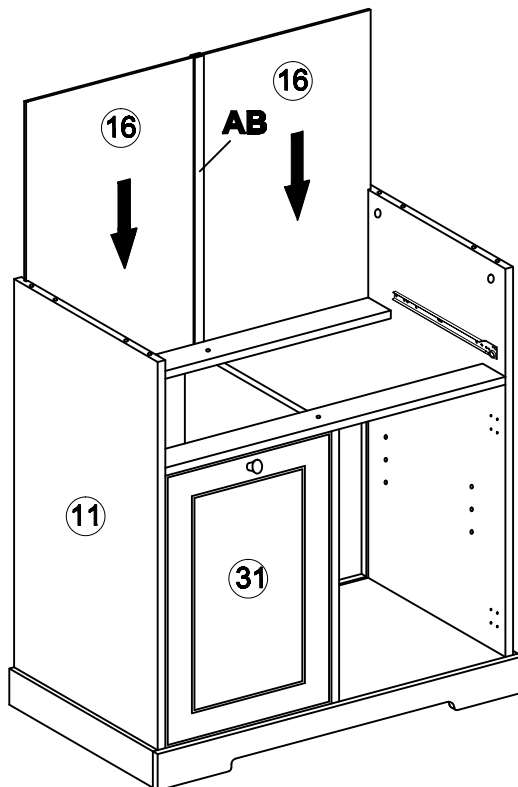
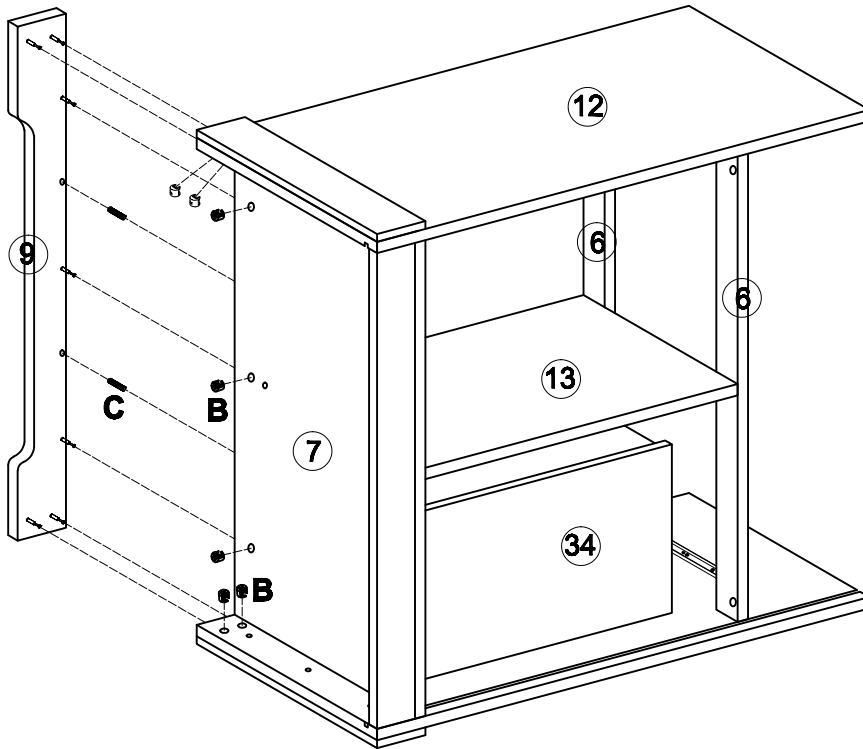
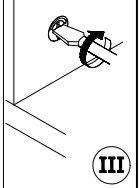
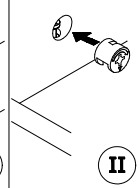
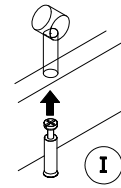
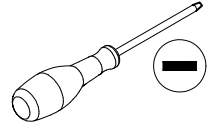
Ø15 x 9.5mm

C x 2



Ø8 x 30mm

AB x 1



STEP 11

B x 4

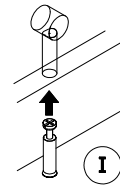
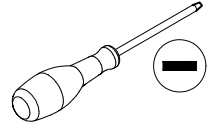


Ø15 x 9.5mm

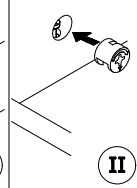
C x 4



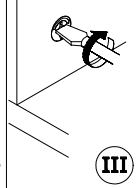
Ø8 x 30mm



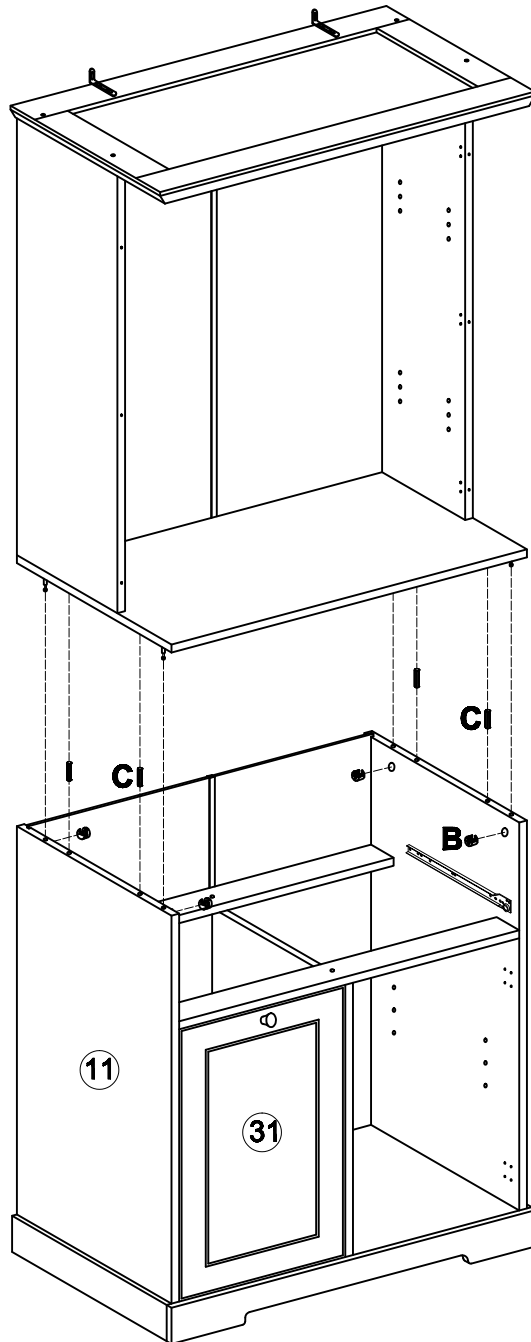
I



II



III



STEP12

E x 24

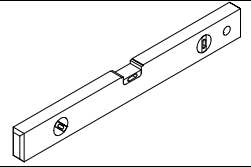
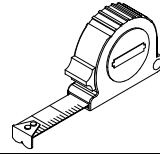
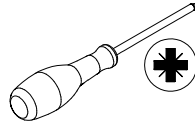


15 x 15 x 9mm

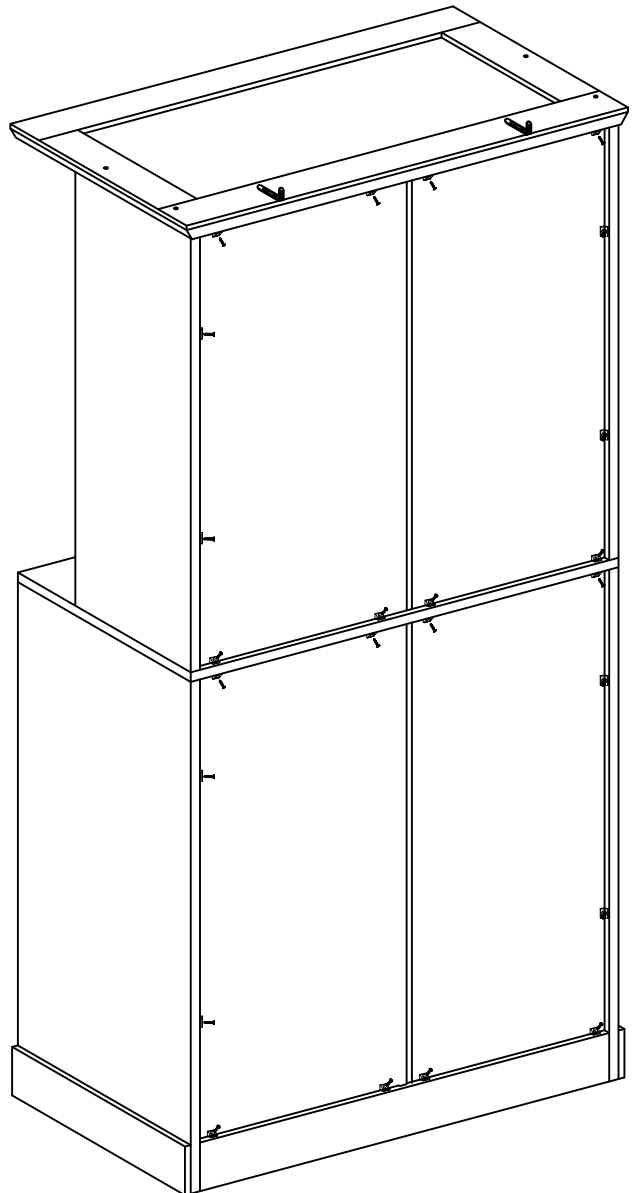
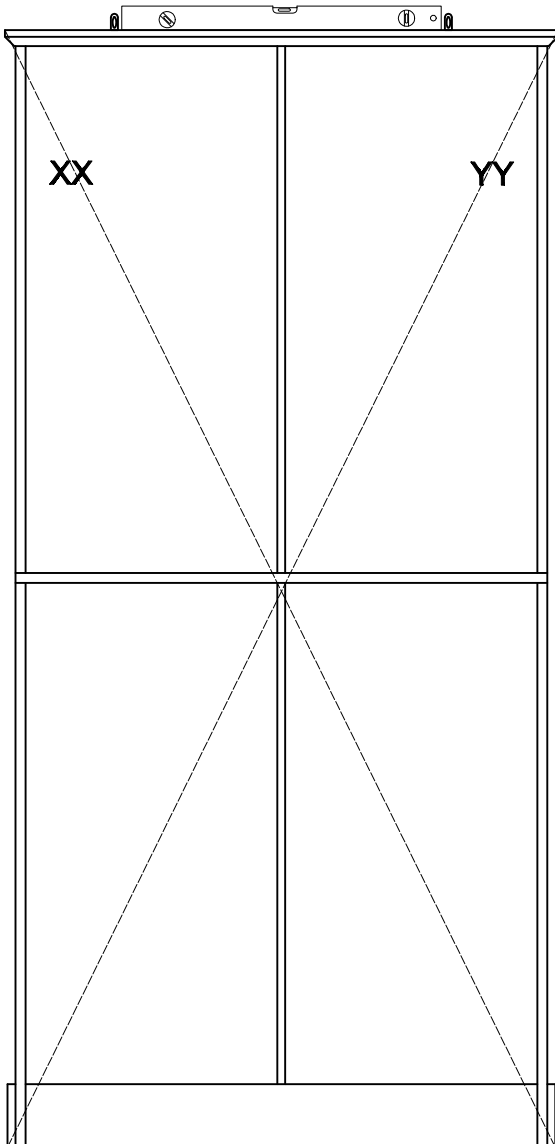
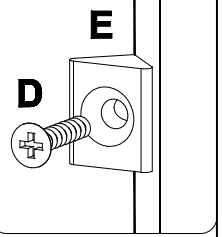
D x 24









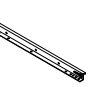

Ø3.5 x14mm

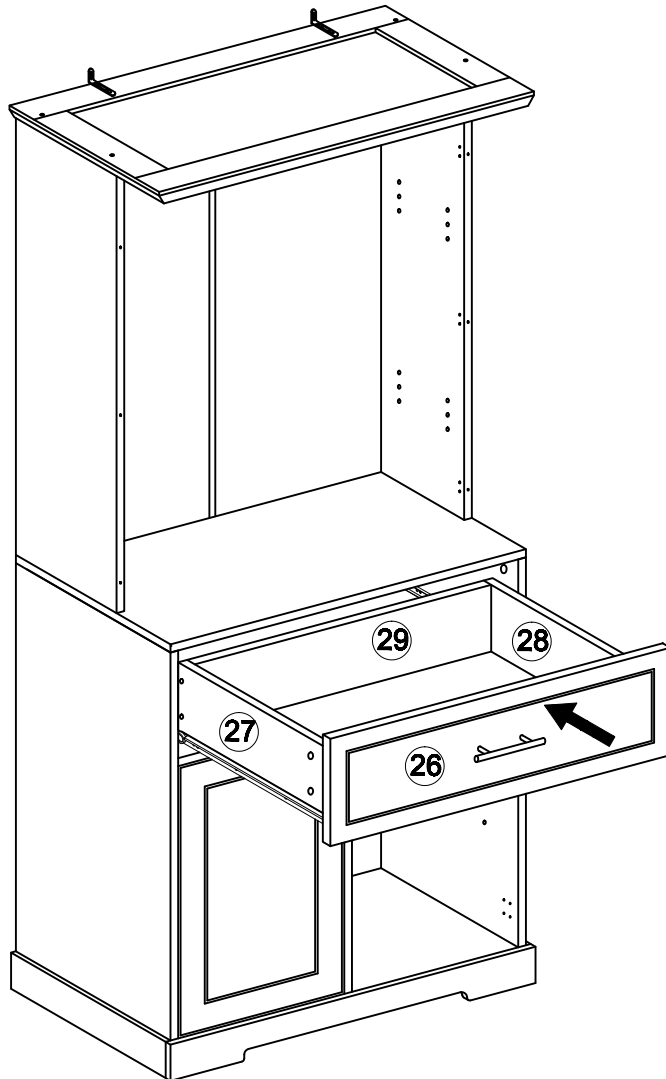
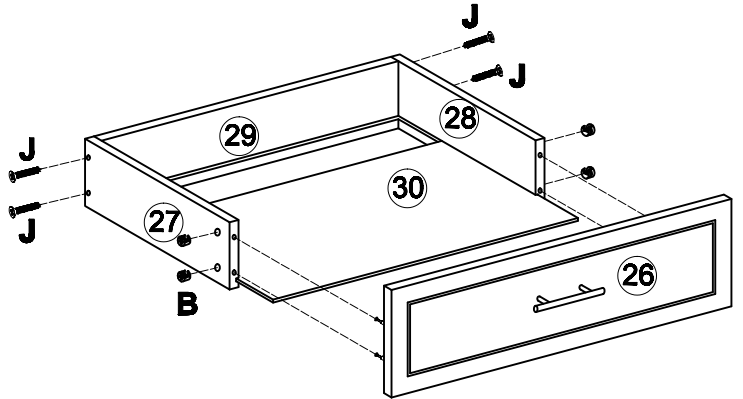
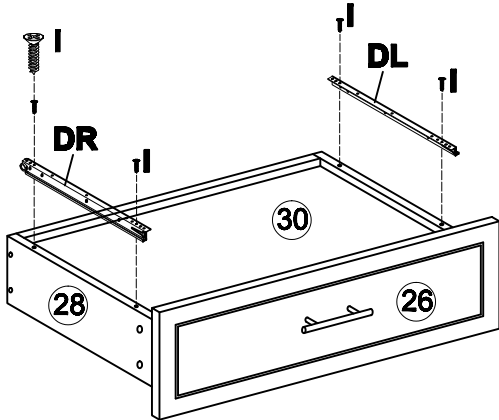
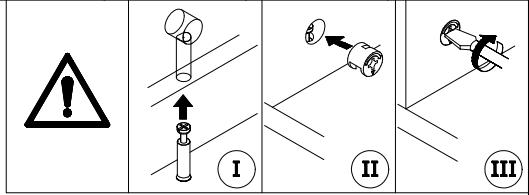
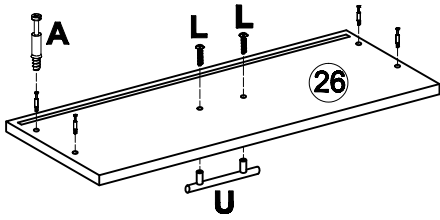


$XX=YY=90^\circ$



STEP13

A x 4  Ø6 x 35mm	B x 4  Ø15 x 9.5mm	U x 1 	L x 2 	J x 4 	DL x 1 	DR x 1 	I x 4  Ø3.5 x 12mm
--	--	---	---	---	--	--	--



STEP 14

H x 12

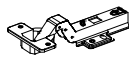


I x 4



Ø3.5 x 12mm

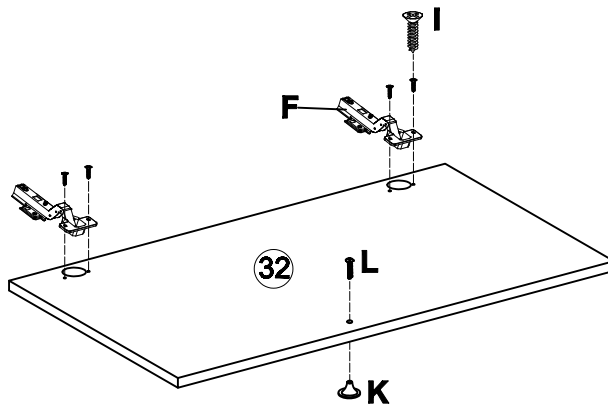
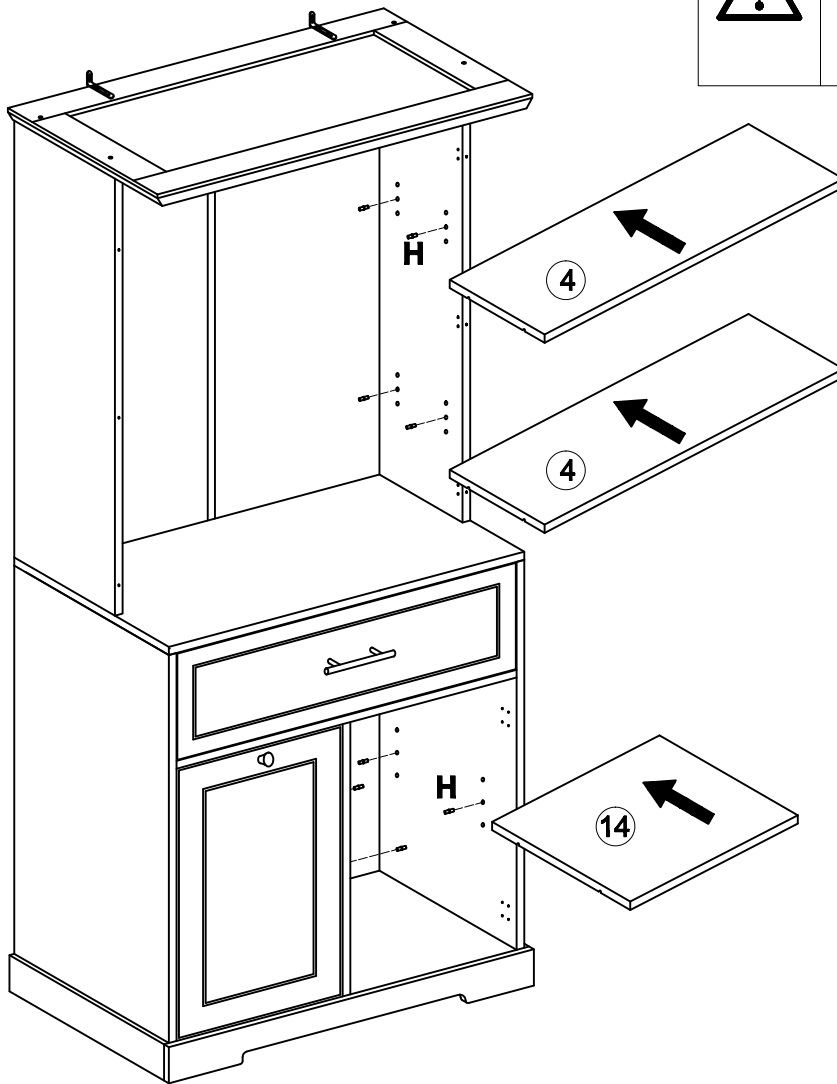
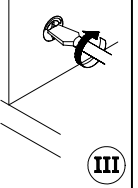
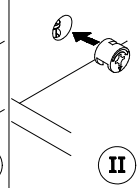
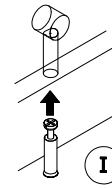
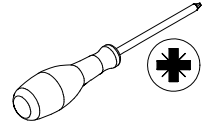
F x 2



K x 1



L x 1



STEP 15

I x 12



Ø3.5 x 12mm

A x 20



Ø6 x 35mm

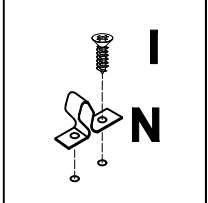
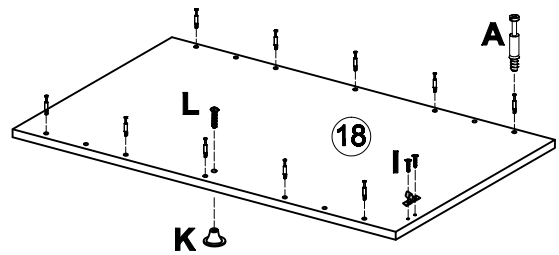
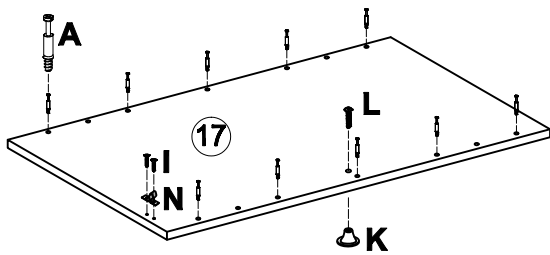
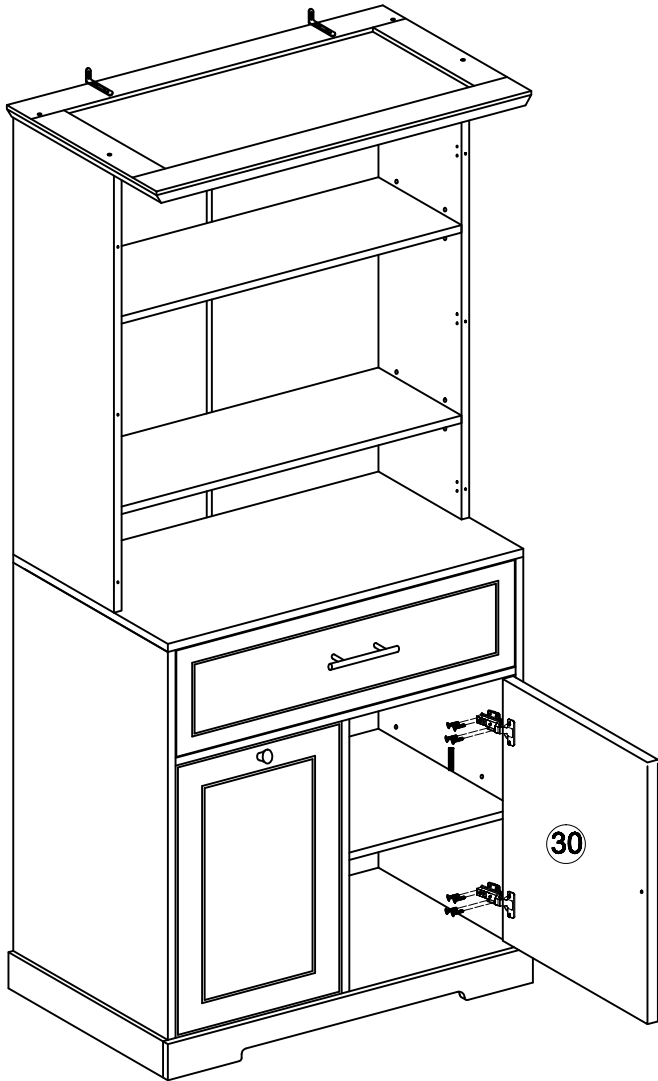
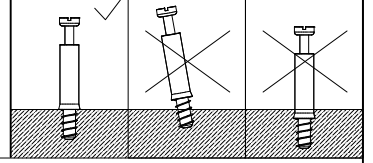
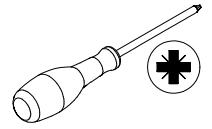
N x 2



K x 2



L x 2



STEP 16

A x 8



Ø6 x 35mm

B x 28



Ø15 x 9.5mm

S x 8



Ø6 x 30mm

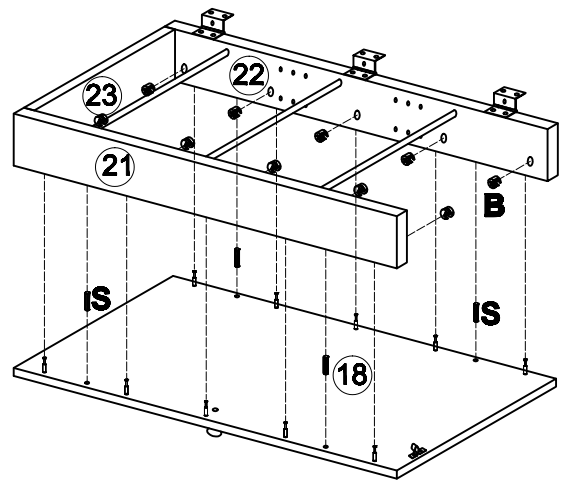
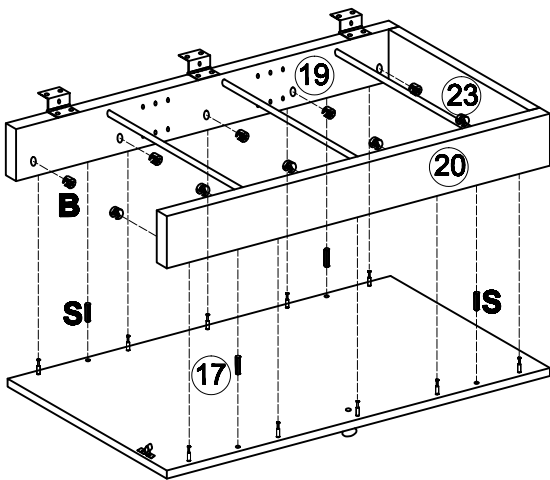
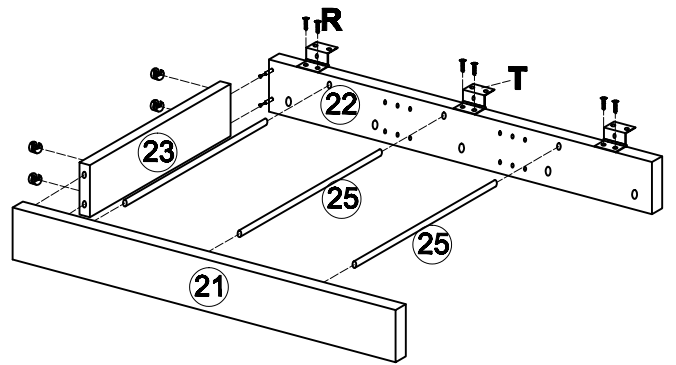
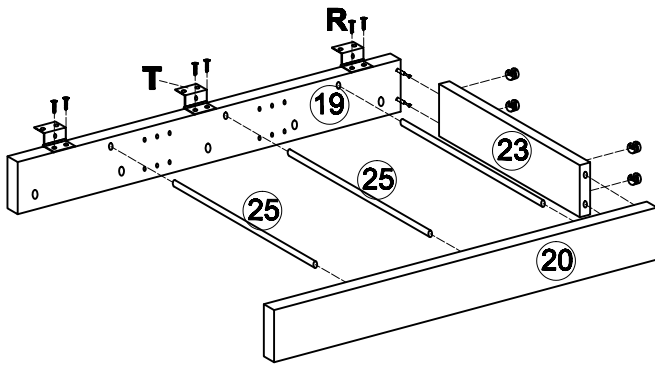
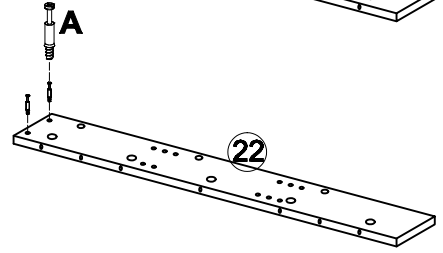
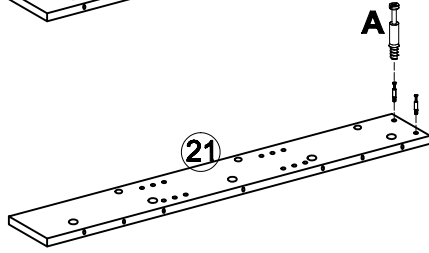
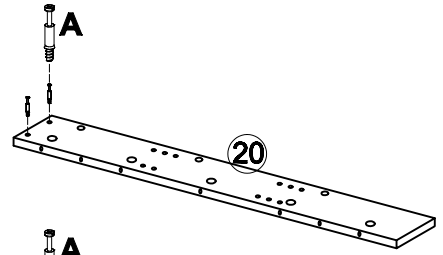
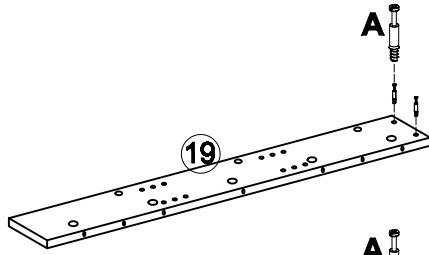
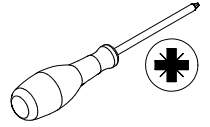
T x 6



R x 12



Ø3.0 x 14mm



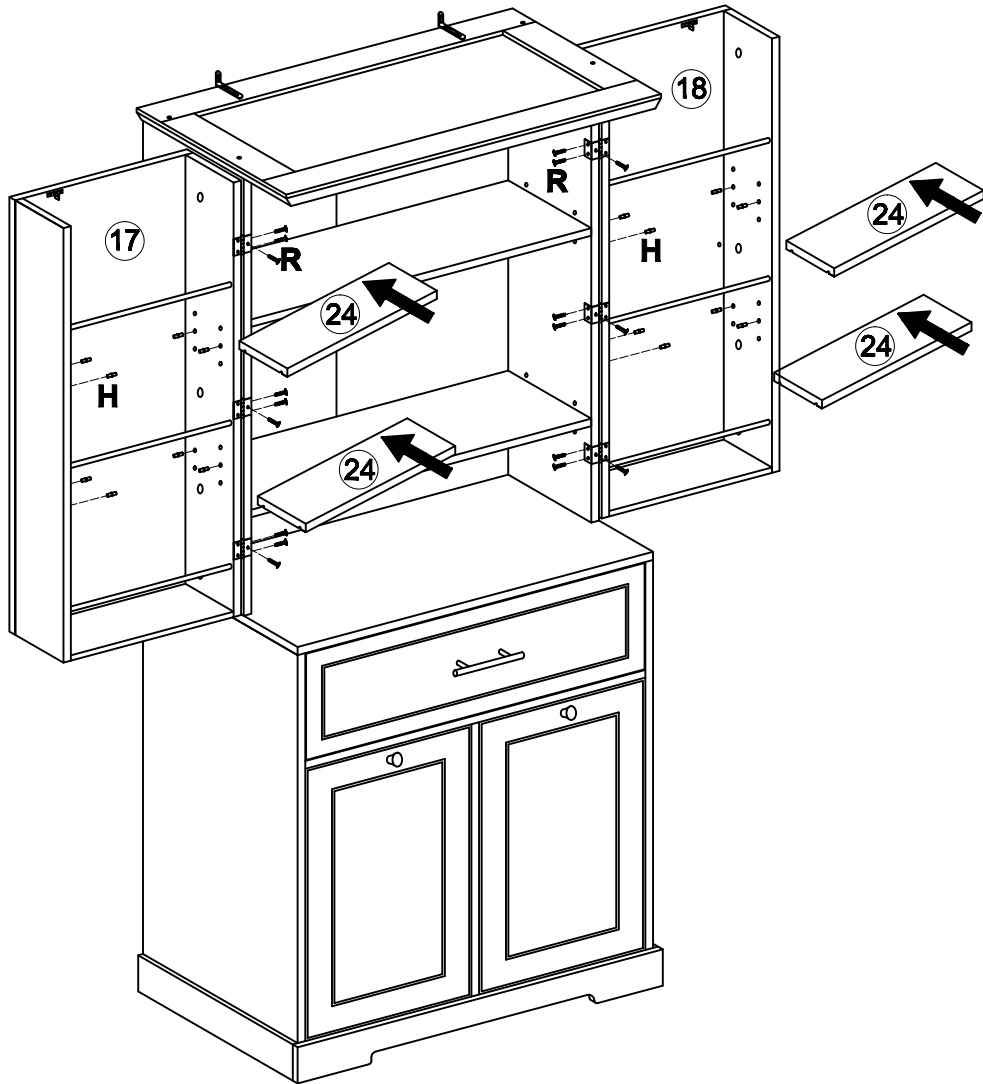
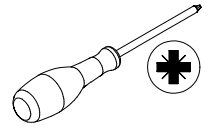
STEP 17

R x 18



Ø3.0 x14mm

H x 16



STEP 18

