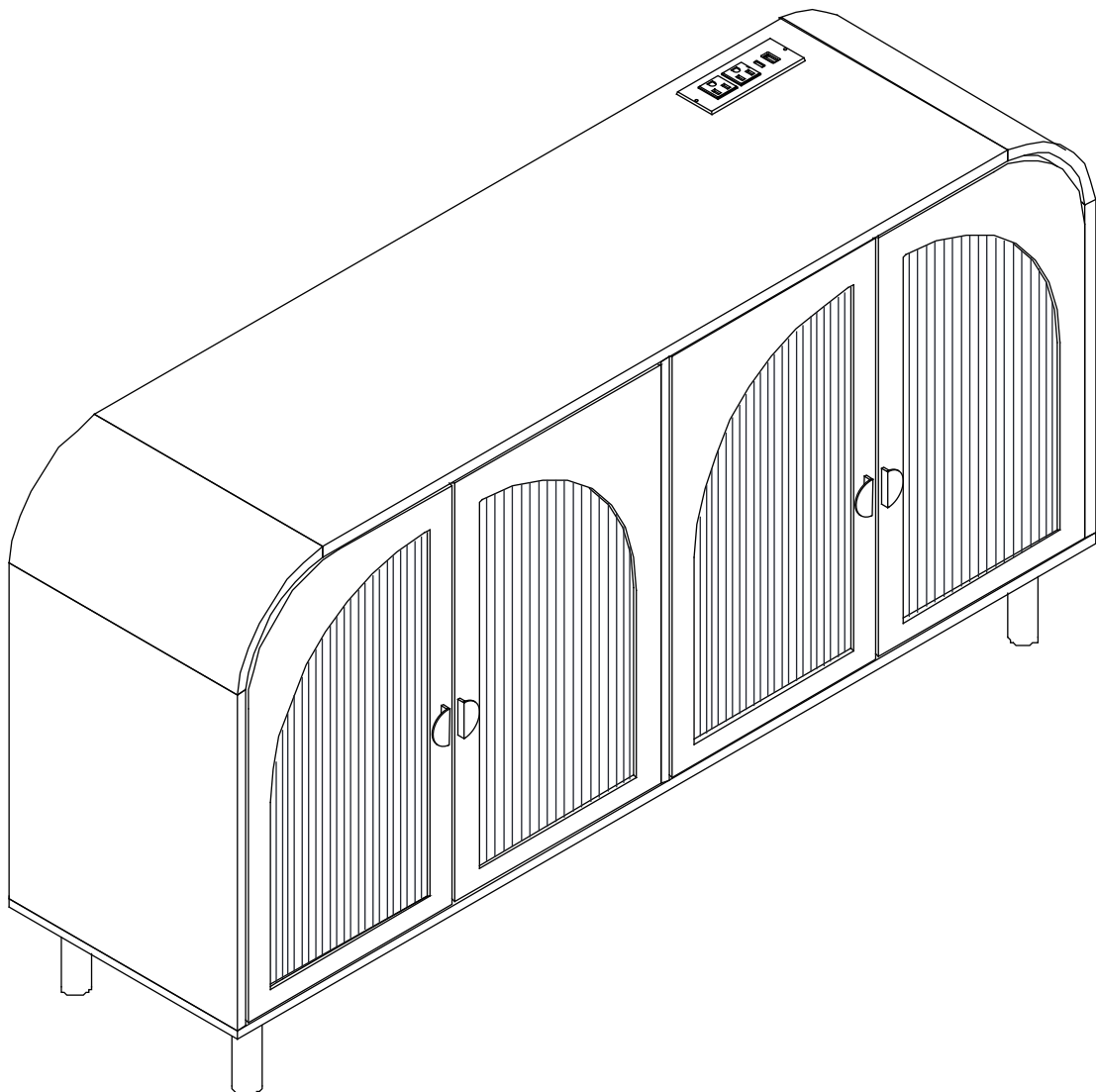
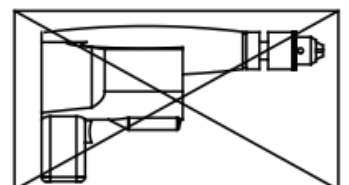


Installation Instruction



Do not use power tools to assemble your furniture. Power tools may strip or damage the parts.

Ver.1.0 202509



Friendly Reminder:

Assembling with damaged panels may affect after-sales service. Please check the integrity of all panels before assembly. If any damage is found:

Take photos of the damaged area from multiple angles (preferably under natural light)

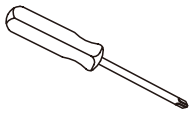
Keep all packaging materials

Do not assemble the product and contact online customer service immediately

Assembling

What you need

- Use the packaging carton as a working surface to prevent product damage during assembly
- Phillips head screwdriver



Weight Limitation



100

lbs table top

40

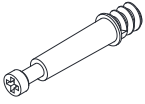
lbs per shelf

What's included

Code	Description	Qty
A	Cam Bolt M6X35MM	21
B	Cam Lock 15X10MM	21
C	Screw M4X40MM	9
D	Screw M3.5X12MM	24
E	Screw M3X14MM	30
F	Screw M4X14MM	6
G	Wooden Dowel M5.8X50MM	1
H	Wooden Dowel M5.8X30MM	24
I	Metal Support	8
J	Anti-tip device	2
K	Plastic door hinge	4
L	Anchor	2
M	Plastic Corner Support	16
N	Plastic hole cover	1
O	Power outlet	1
P	Felt floor mat	4
Q	Cam bolt	1
R	Back board strip	2
S	Hinger	4
T	Handle	4
U	Cam Bolt M4X18MM	8
V	Supporting iron sheet	2
W	Hex Bolt M6X12MM	4
X	Screw M4X20MM	20
Y	Magnetic Door Catcher	2
Z	Metal Plate	4
A1	Hex key	1
A2	Anti-collision accessories	2

The Hardware

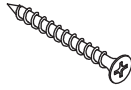
(A)



(B)



(C)



(D)



(E)



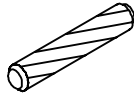
(F)



(G)



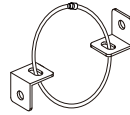
(H)



(I)



(J)



(K)



(L)



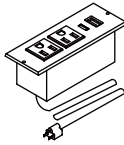
(M)



(N)



(O)



(P)



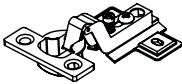
(Q)



(R)



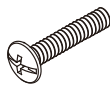
(S)



(T)



(U)



(V)



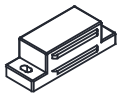
(W)



(X)



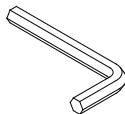
(Y)



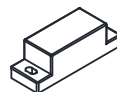
(Z)



(A1)



(A2)



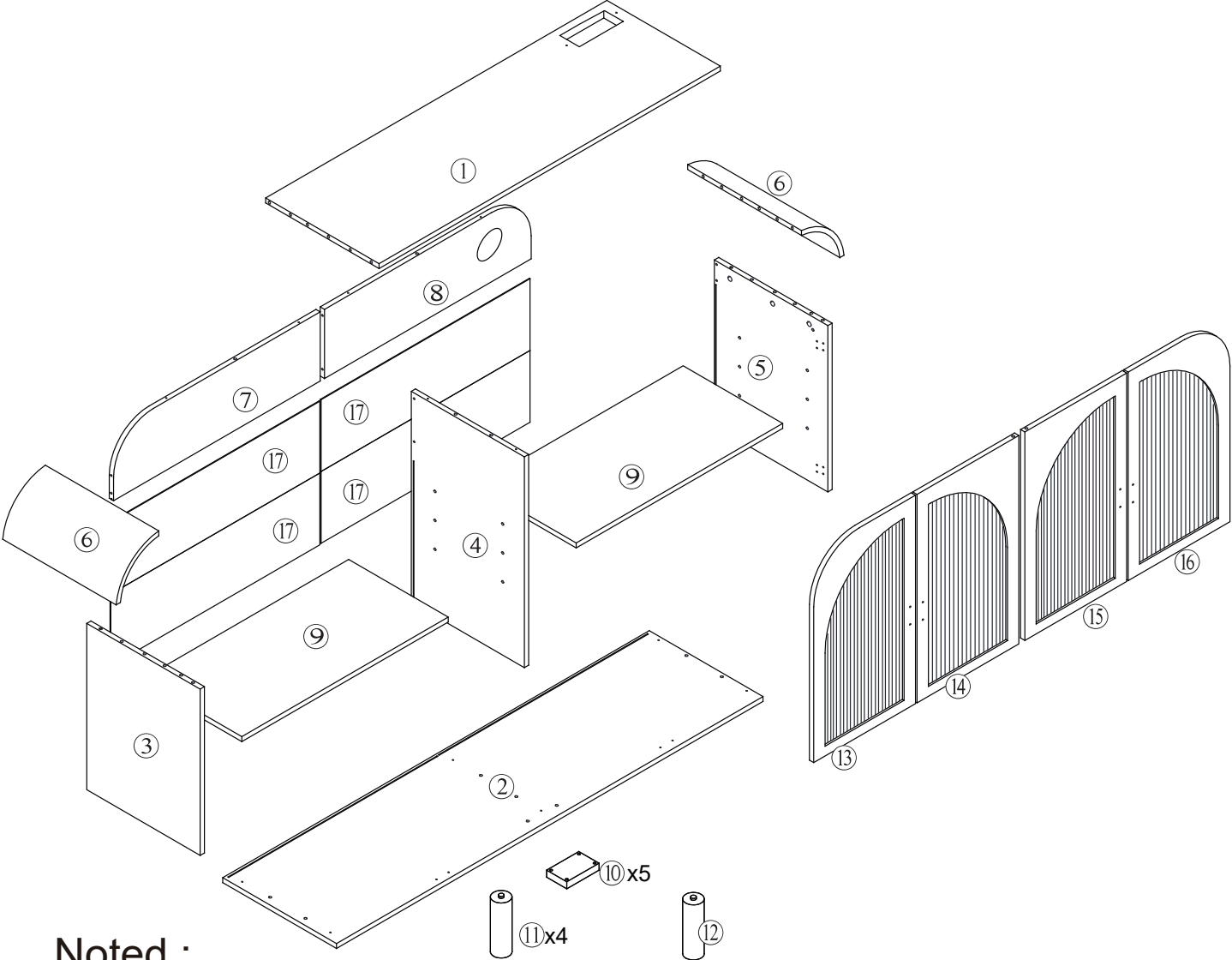
IMPORTANT:

1. Do not tighten bolts / screws completely until all bolts / screws are lined up and inserted into holes.
2. Do not over tighten screws and bolts to avoid stripping.
3. Please use hand tools to assemble this product. Do not use power tools.

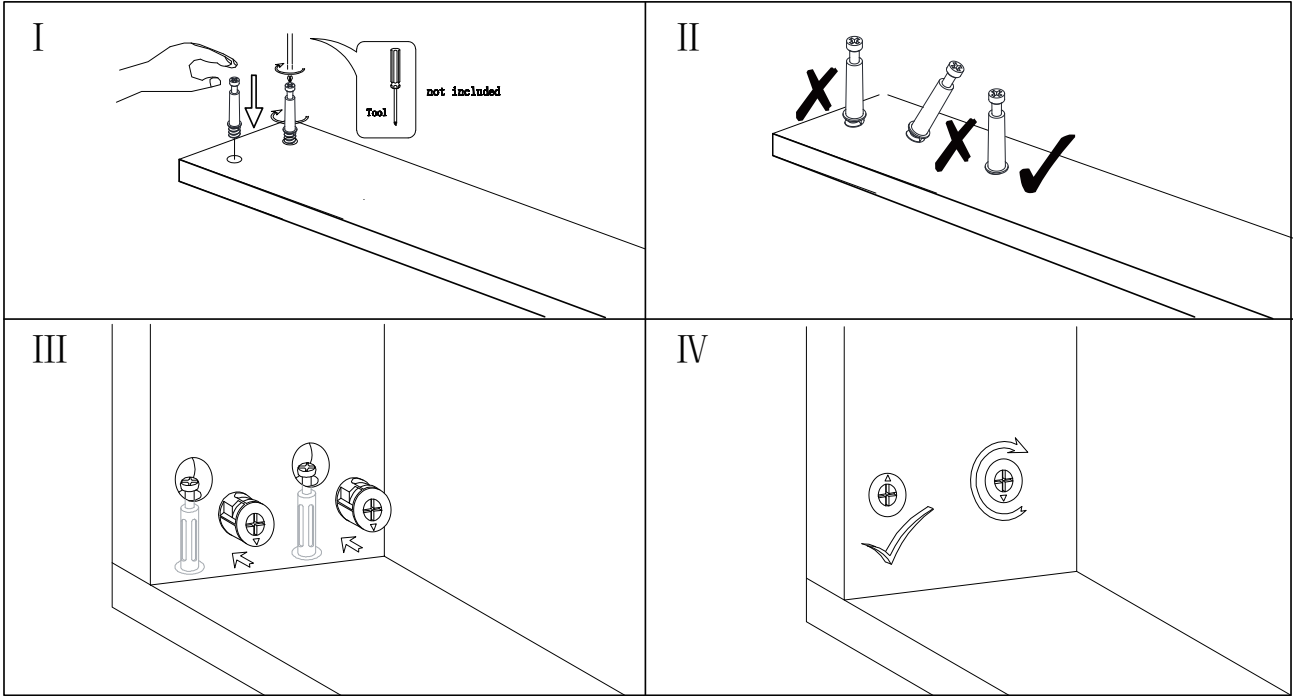
Included Accessories

Code	Description	Qty
1	Top board	1
2	Bottom board	1
3	Side board(left)	1
4	Vertical partition board	1
5	Side board(right)	1
6	Curved board	2
7	Back support panel(left)	1
8	Back support panel(right)	1
9	Shalf	2
10	Small square accessory	5
11	Leg	4
12	Adjustable leg	1
13	Door	1
14	Door	1
15	Door	1
16	Door	1
17	Back panel	4

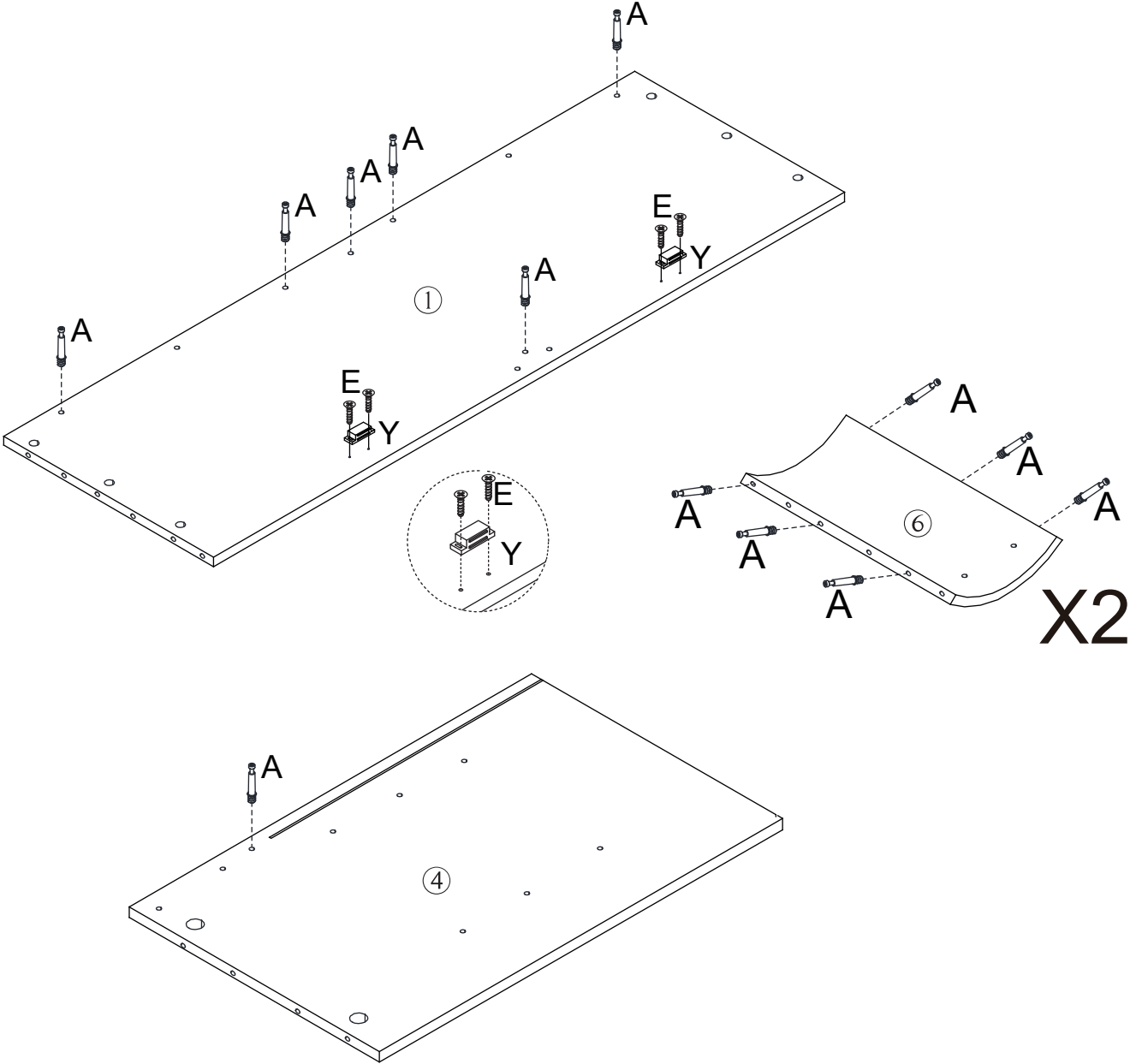
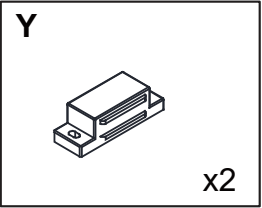
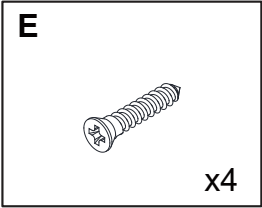
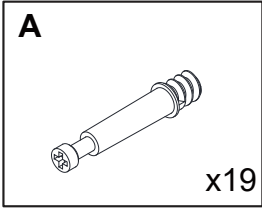
The Accessoriess



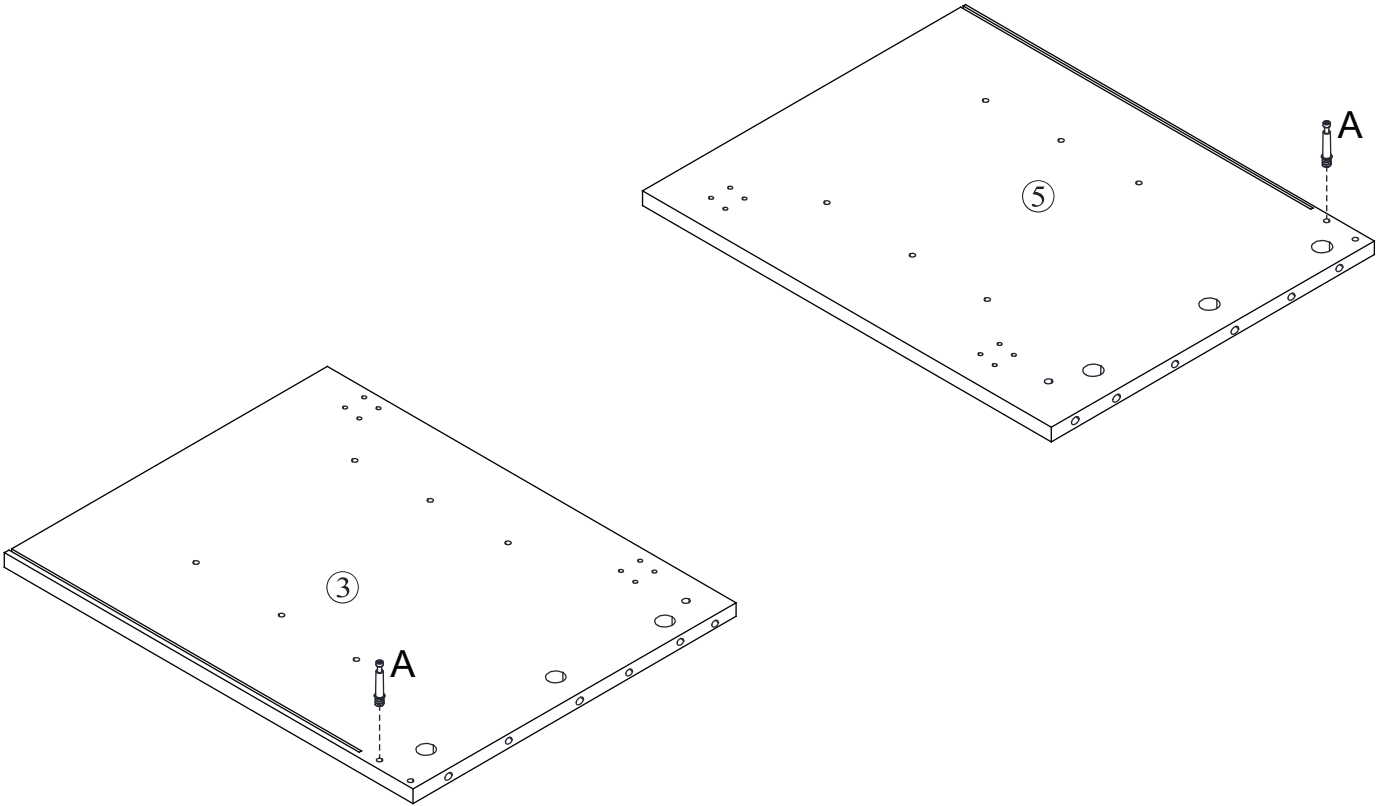
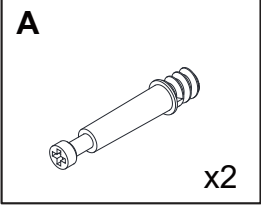
Noted :



Step 1

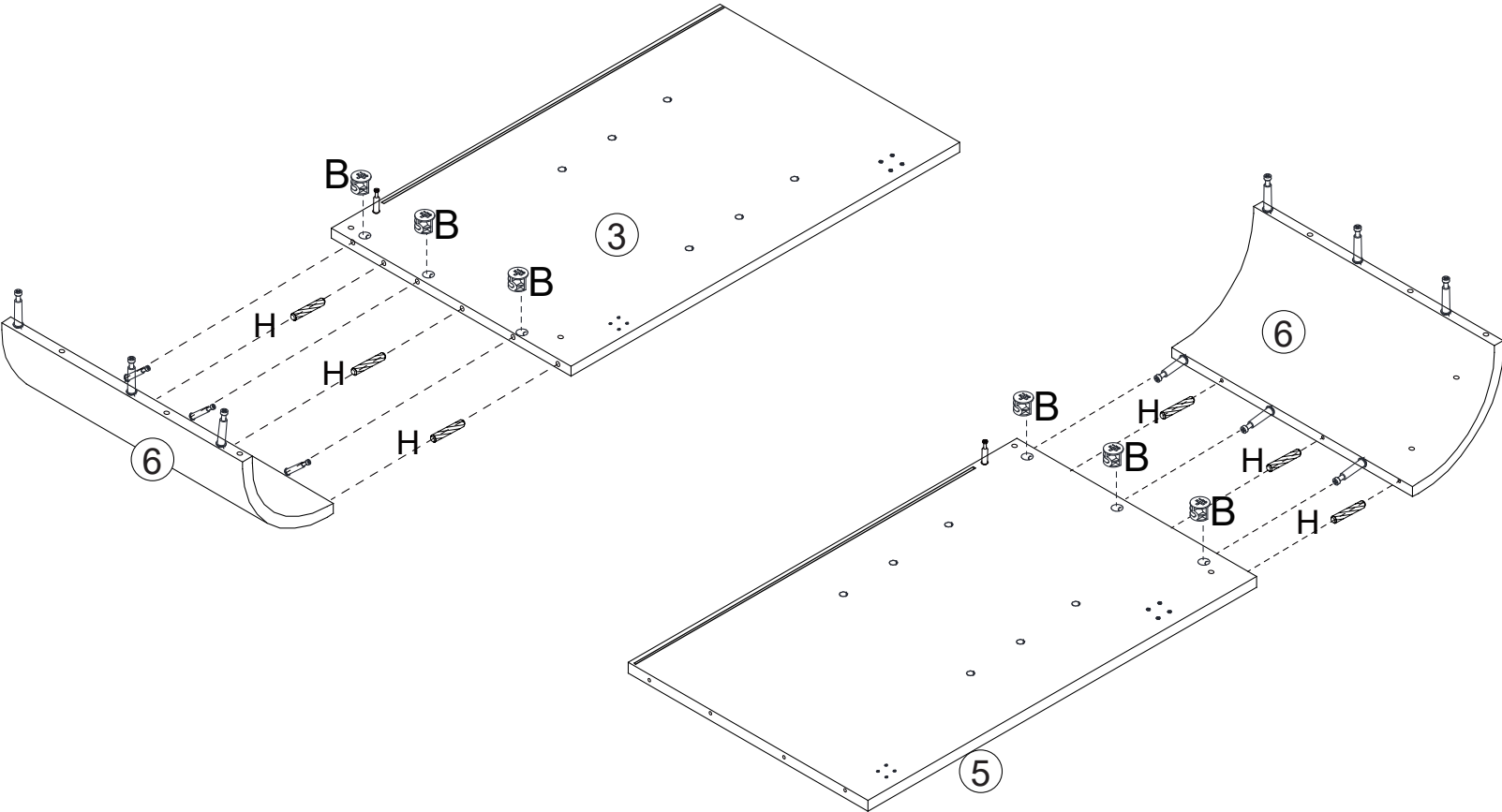
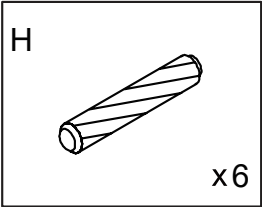
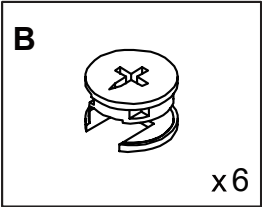


Step 2



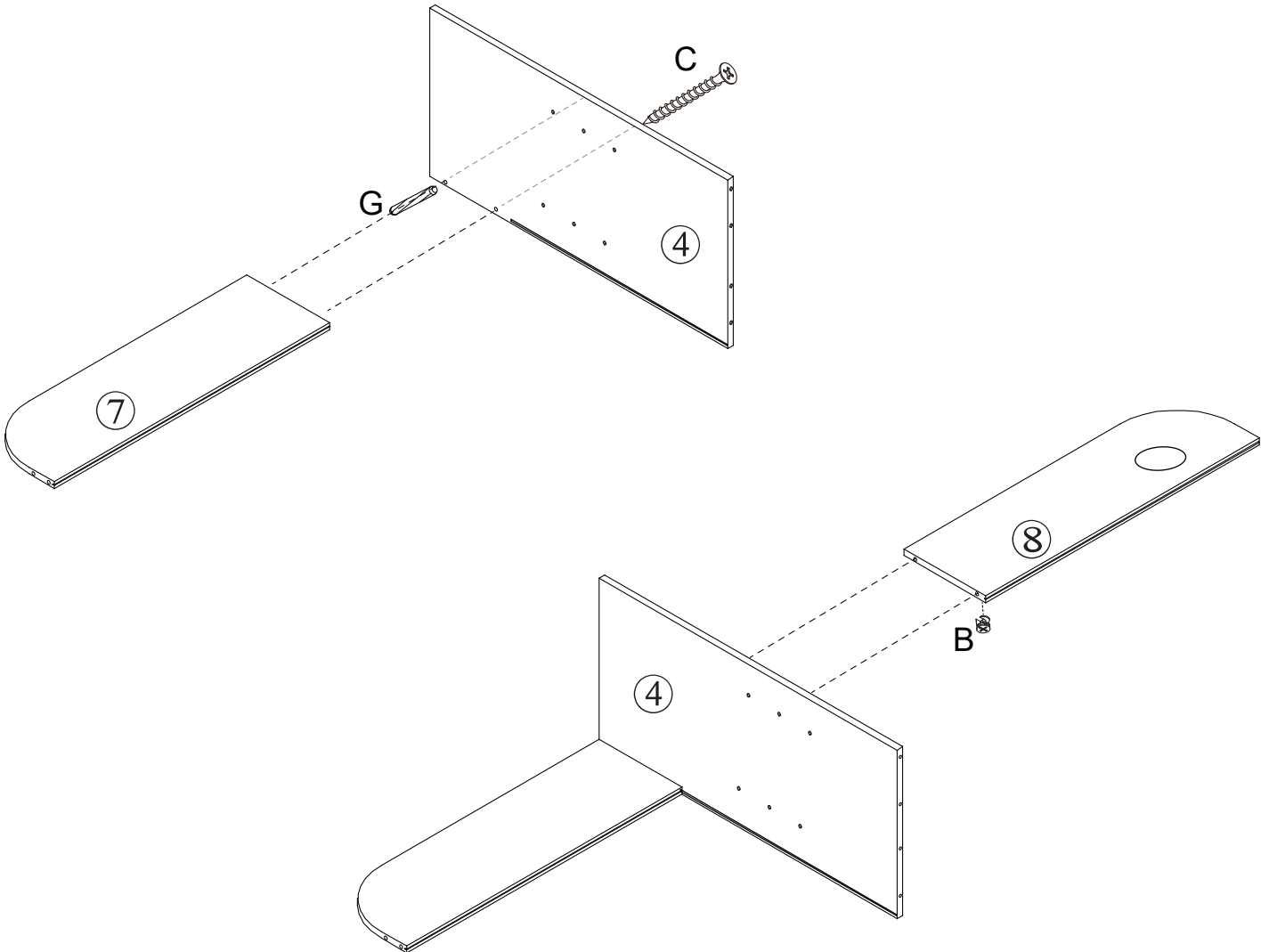
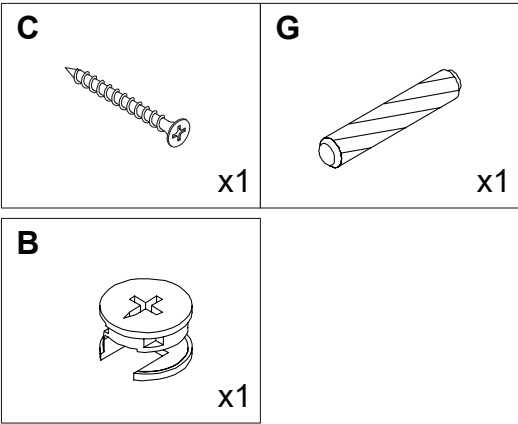
Step 3

Handle incomplete sections with care.
Support them evenly to prevent stress
and breakage.



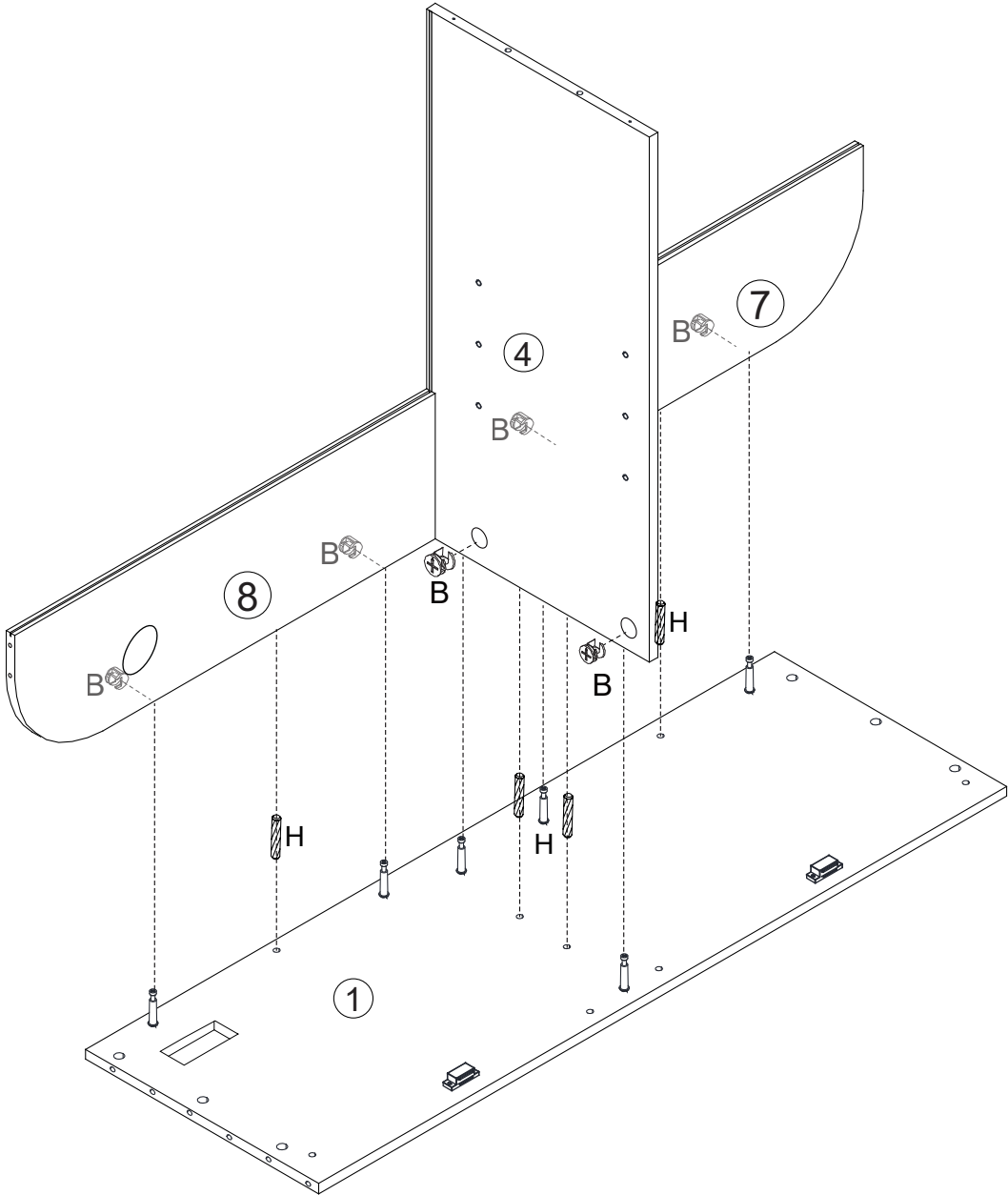
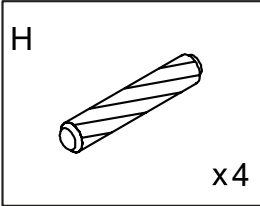
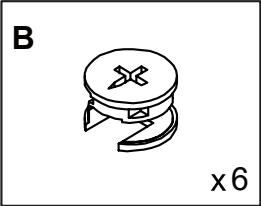
Step 4

Handle incomplete sections with care.
Support them evenly to prevent stress
and breakage.

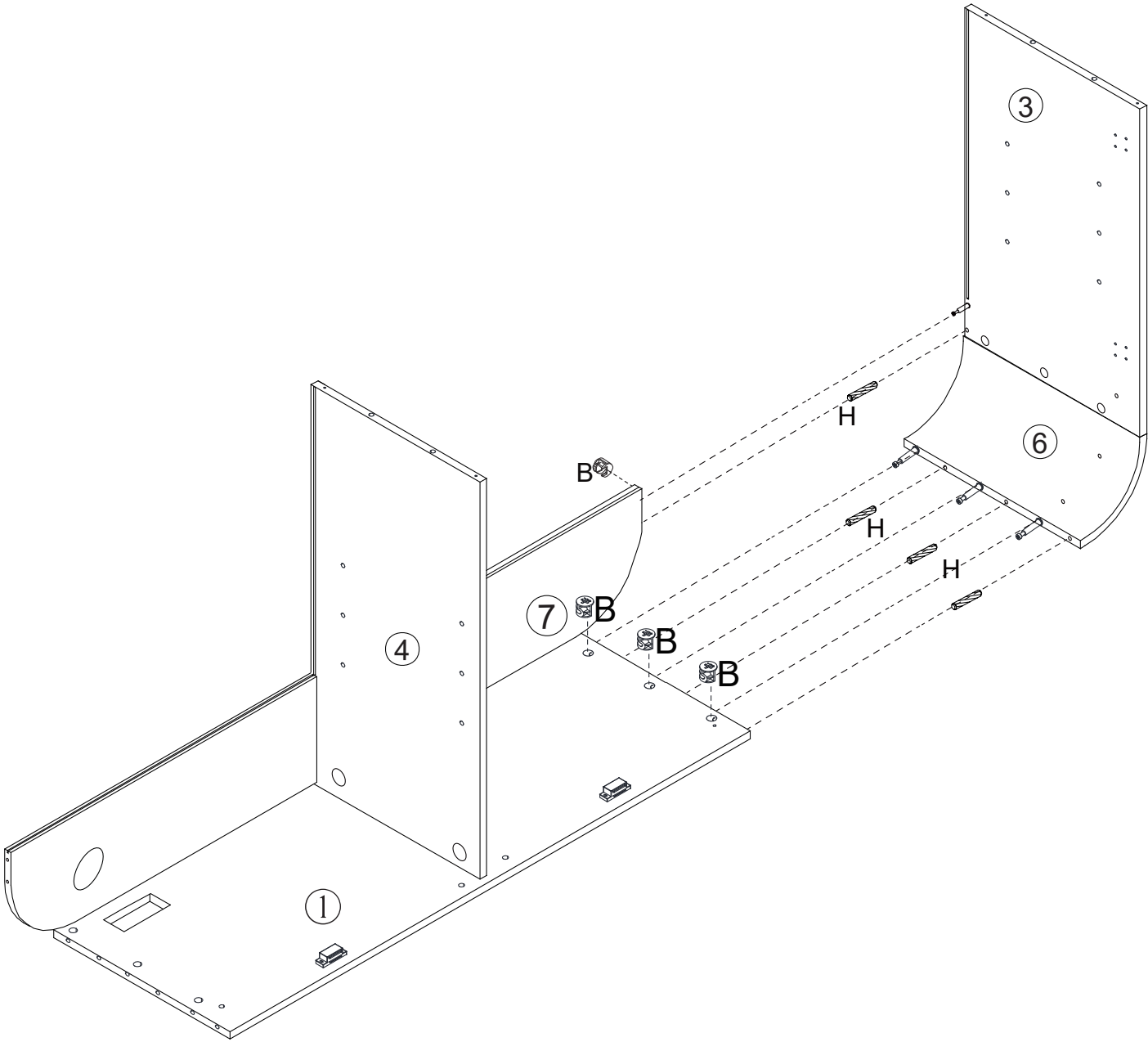
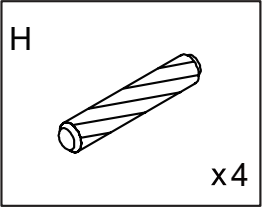
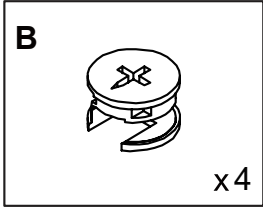


Step 5

Handle incomplete sections with care.
Support them evenly to prevent stress
and breakage.

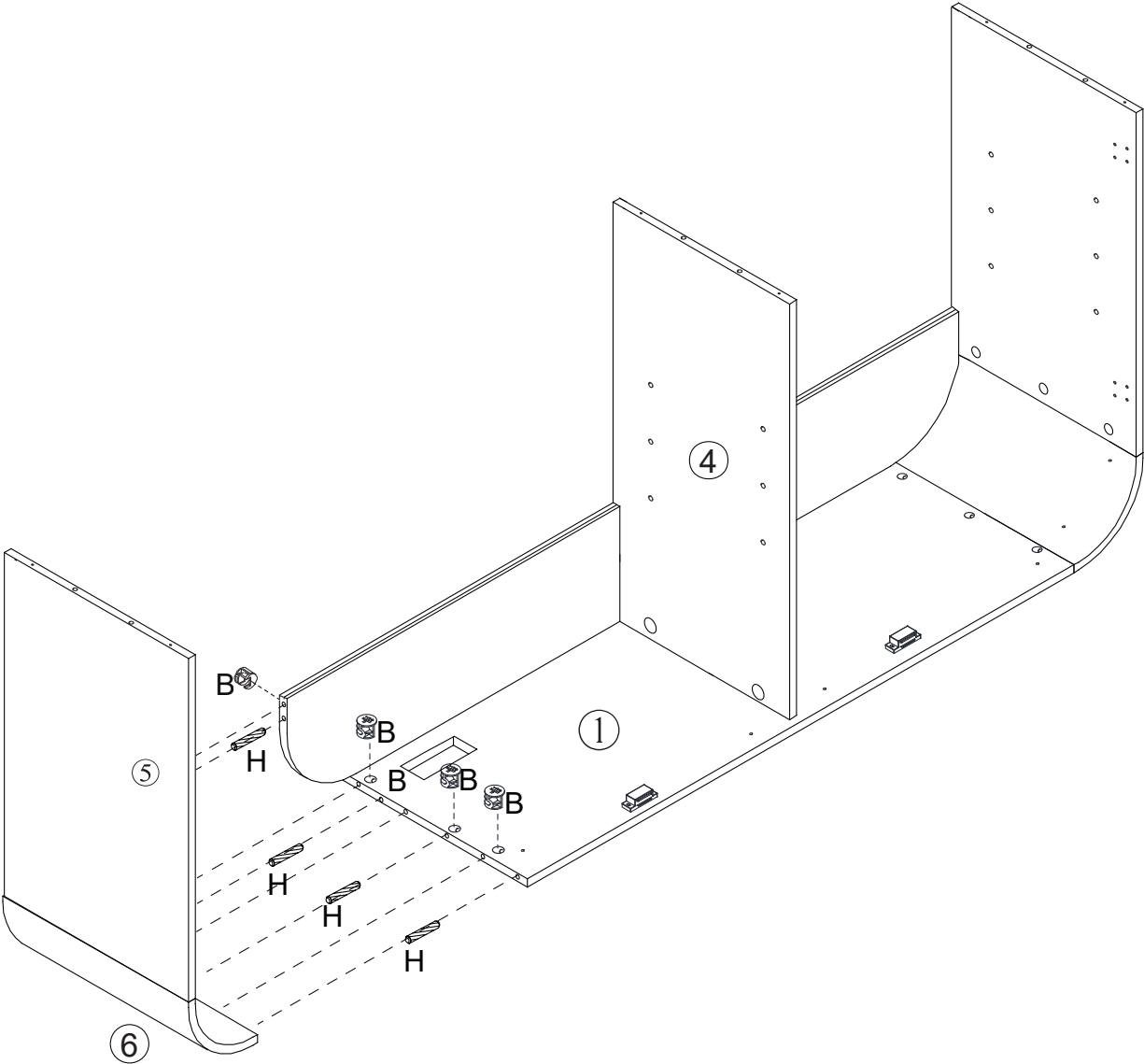
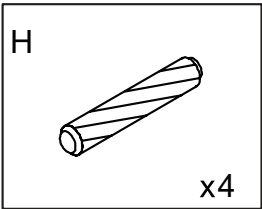
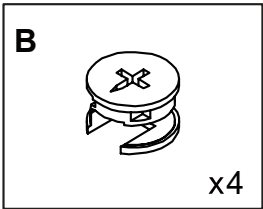


Step 6

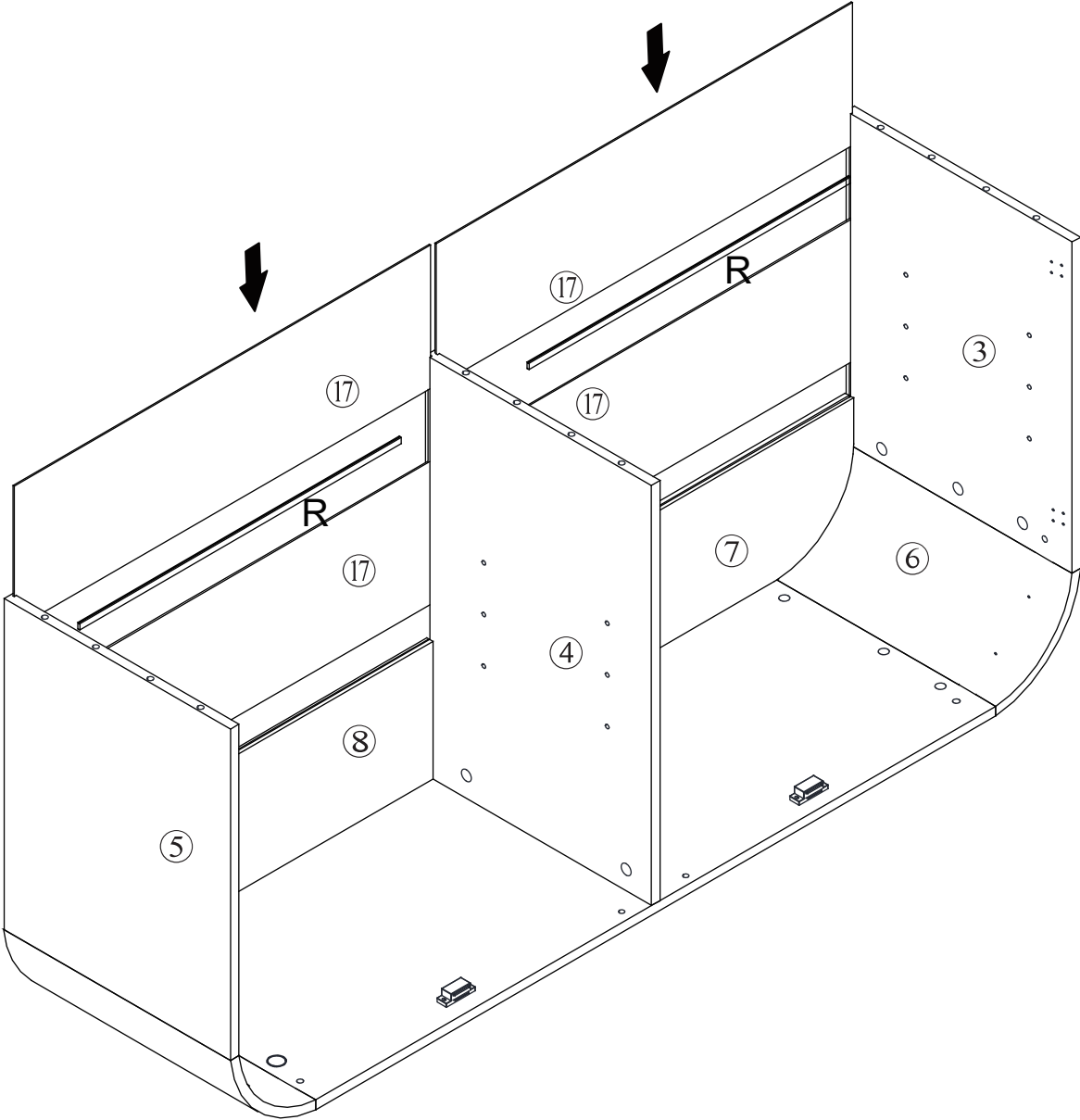
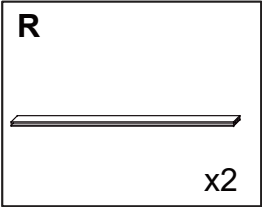


Step 7

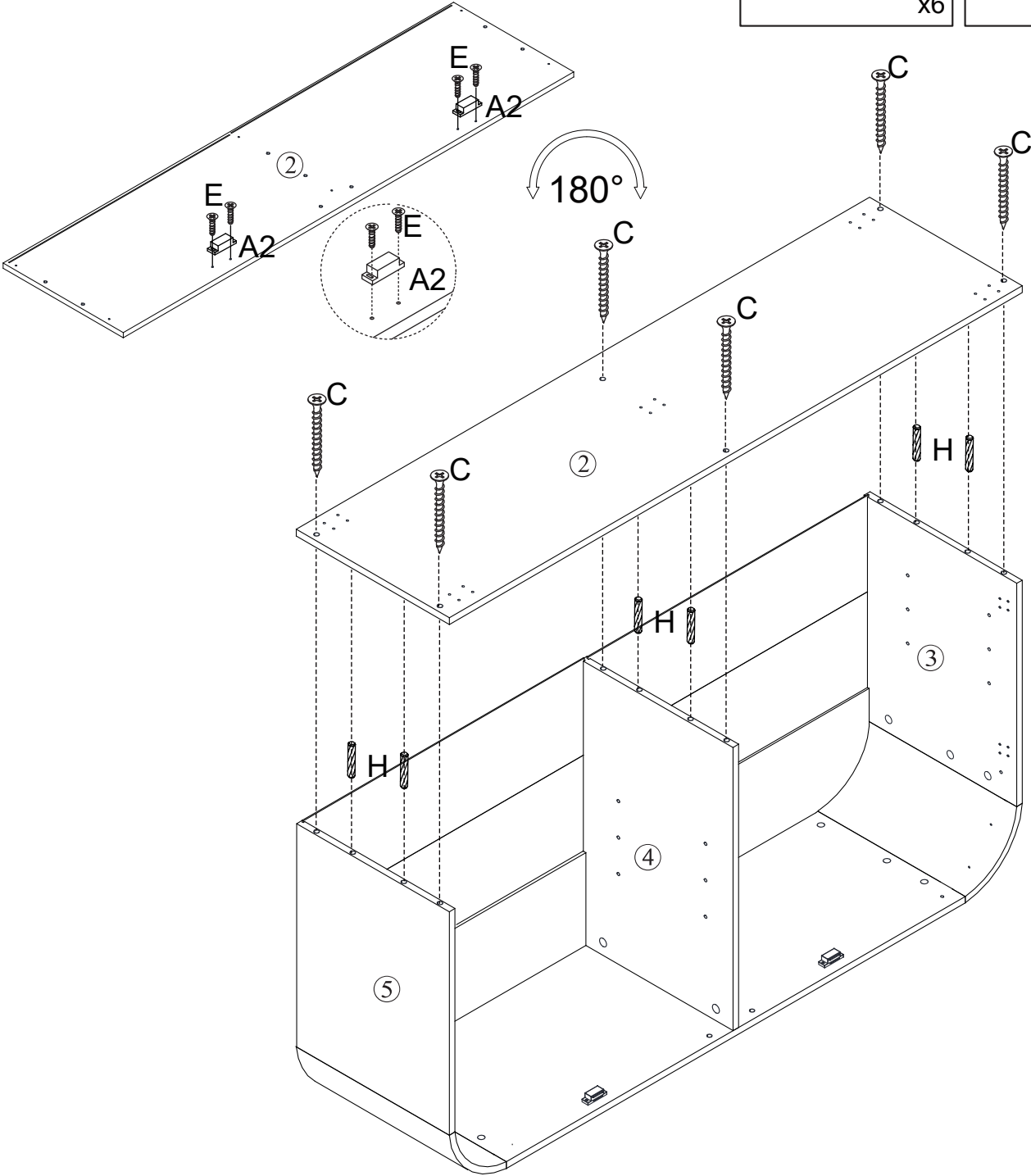
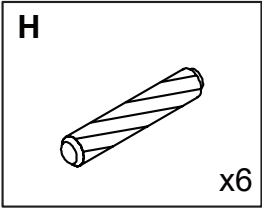
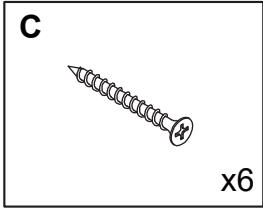
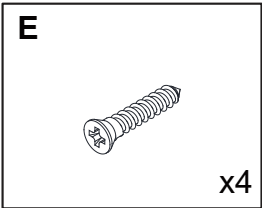
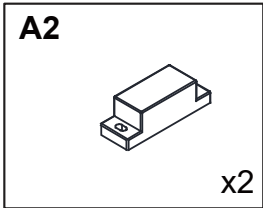
Handle incomplete sections with care.
Support them evenly to prevent stress
and breakage.



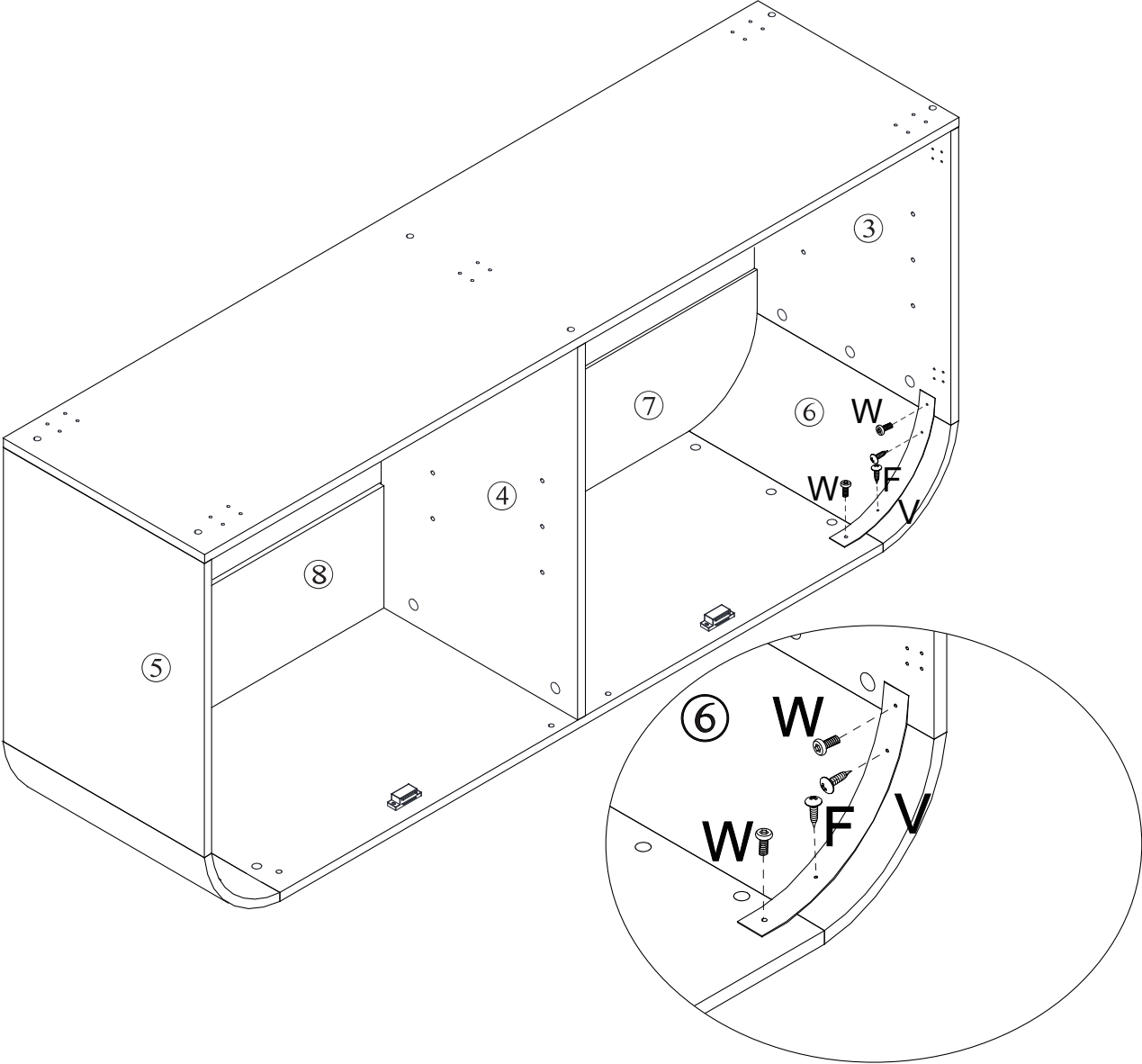
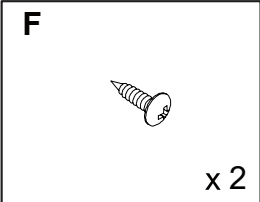
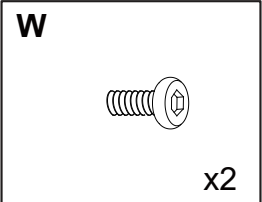
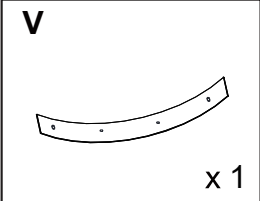
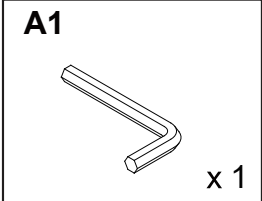
Step 8



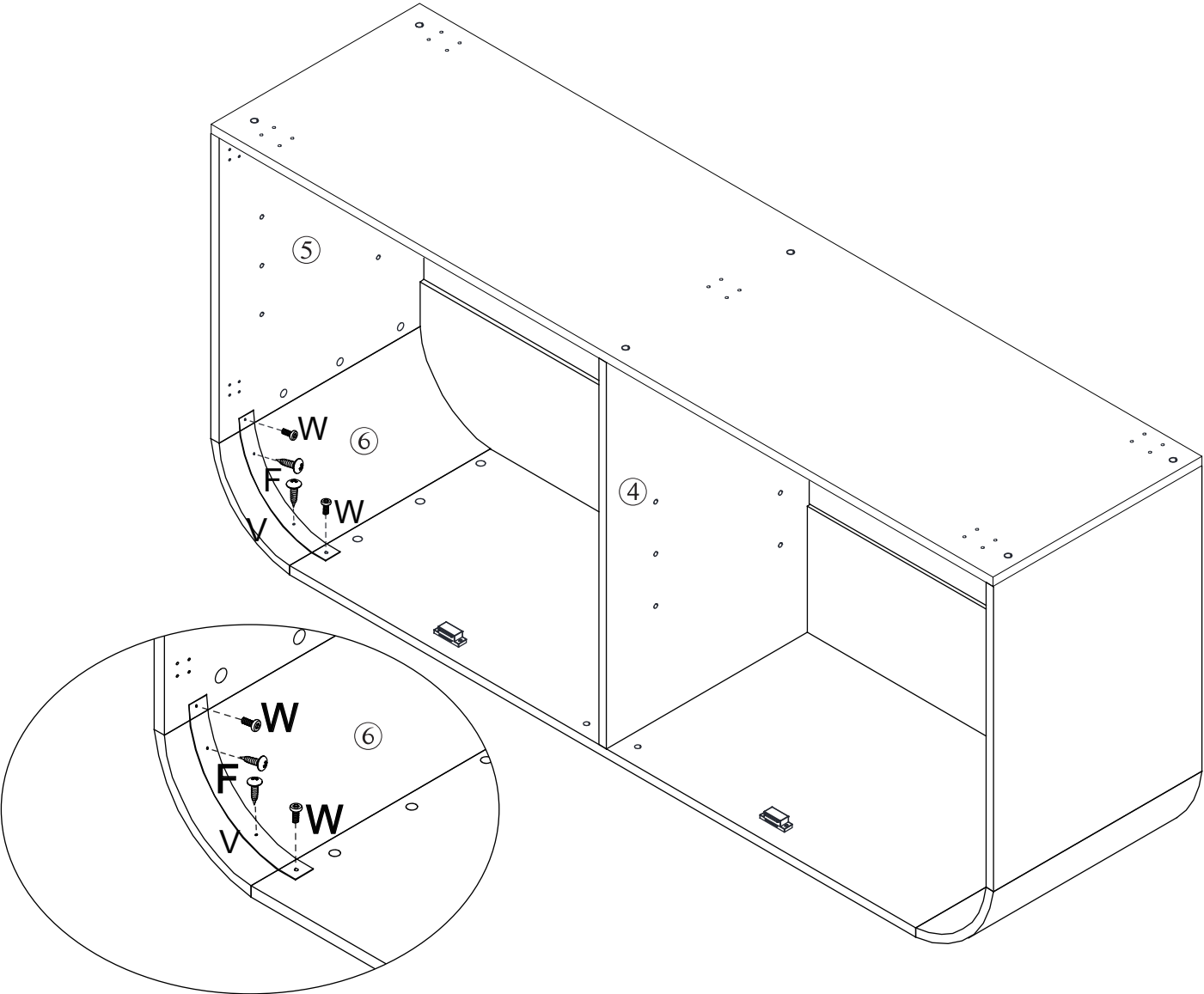
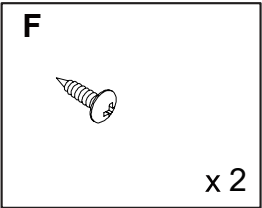
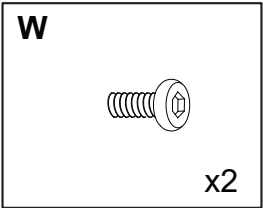
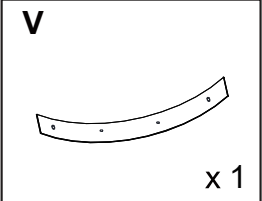
Step 9



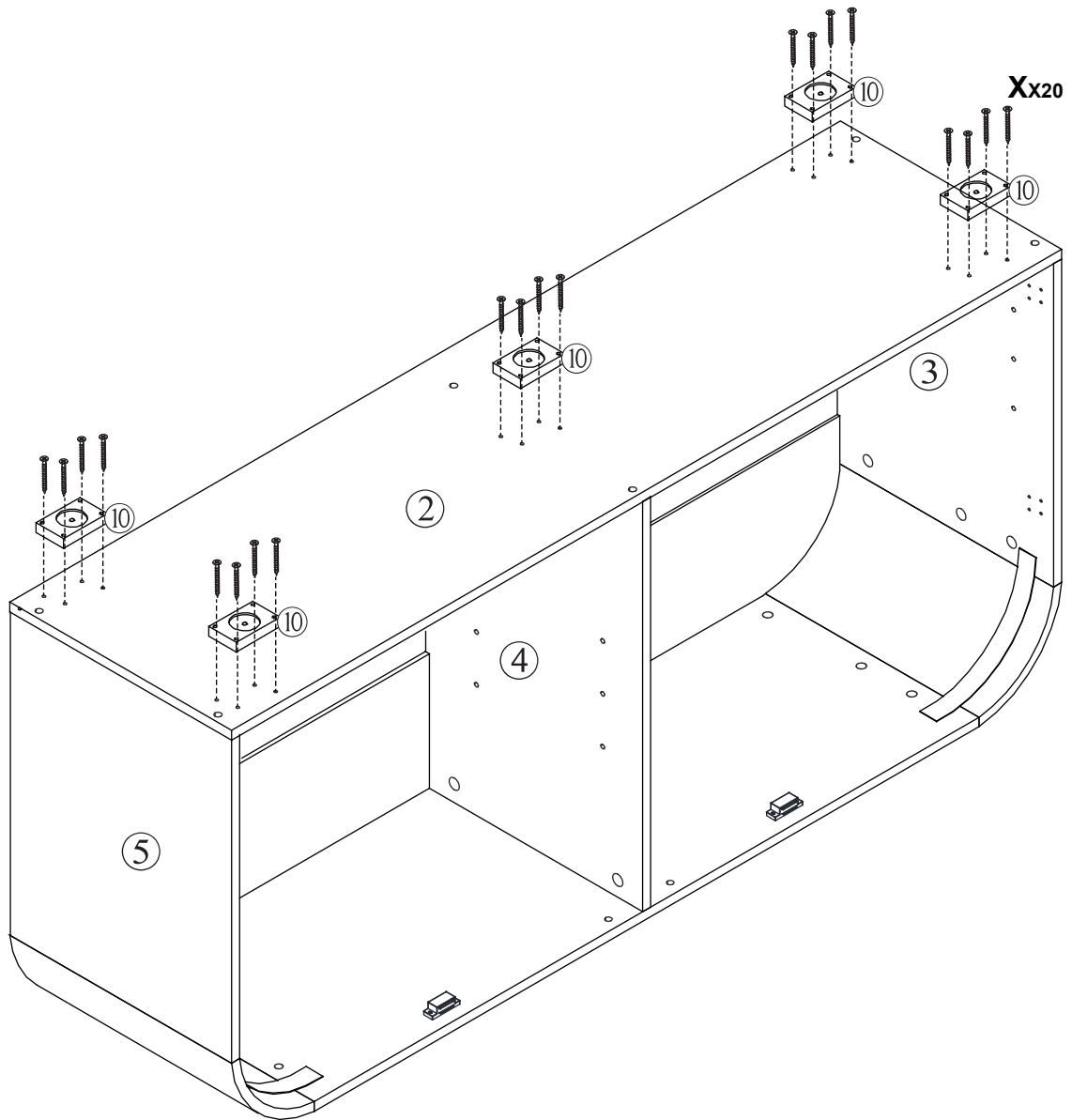
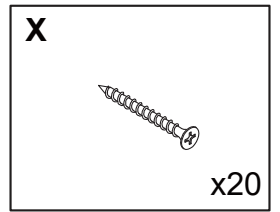
Step 10



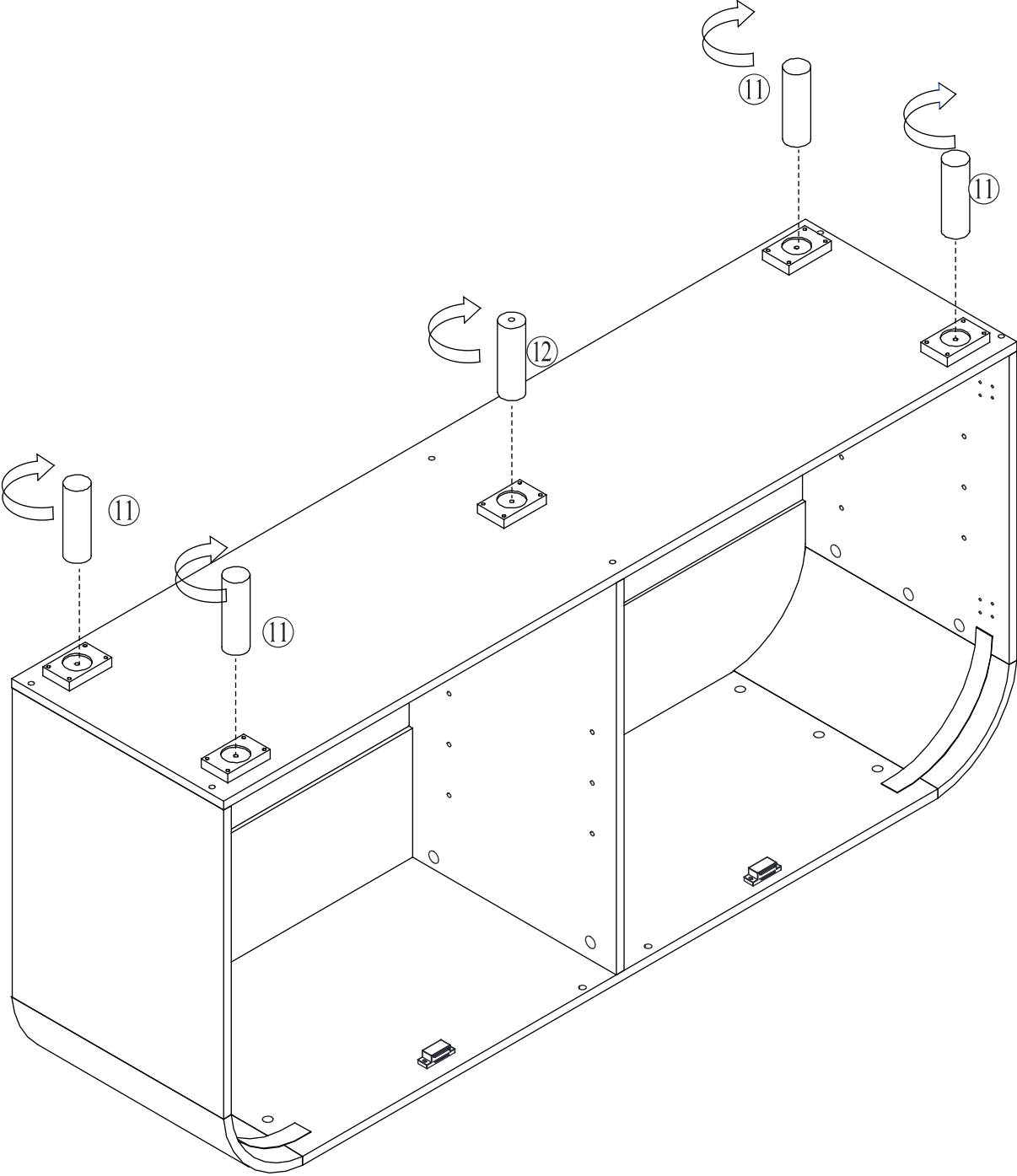
Step 11



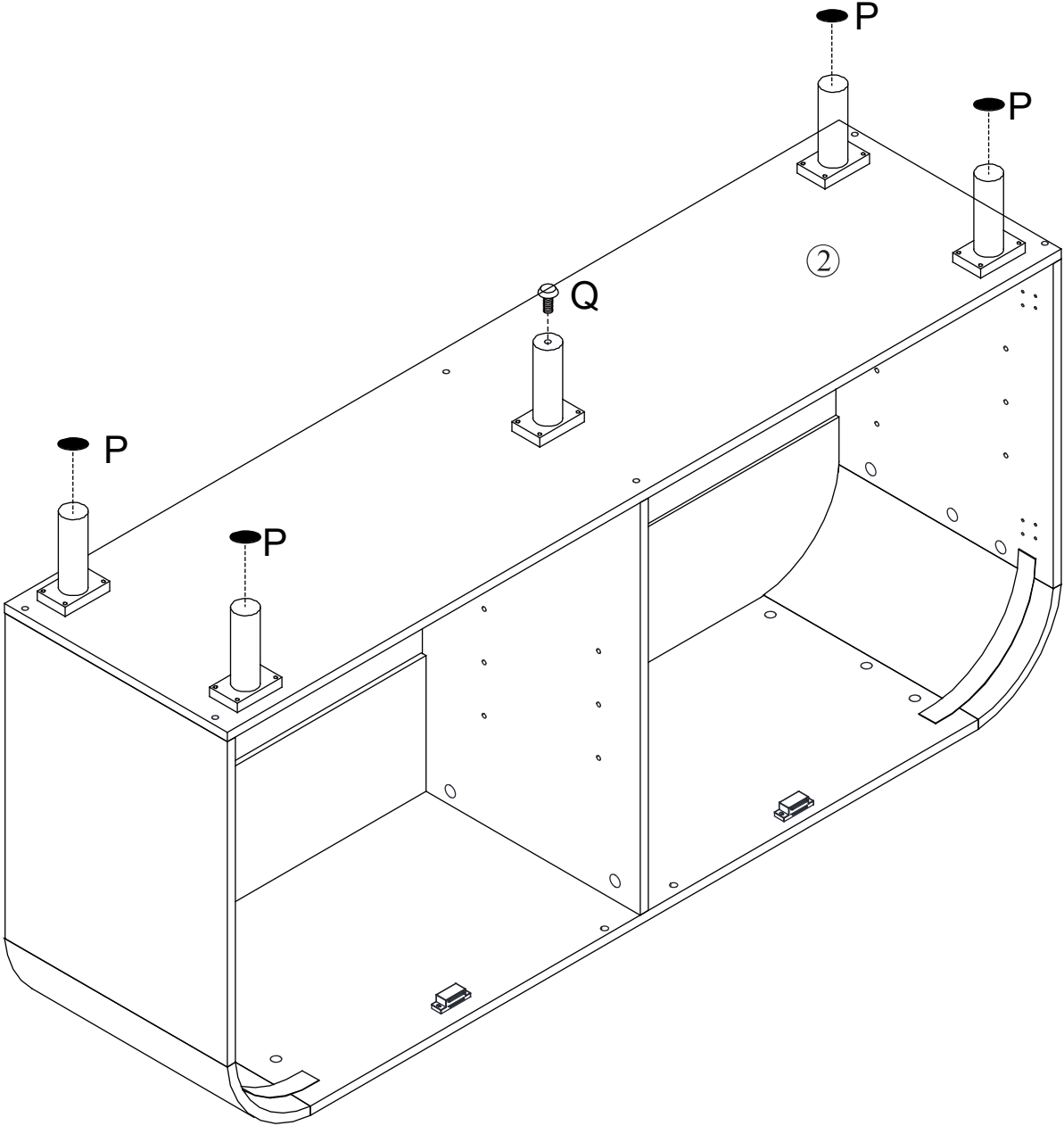
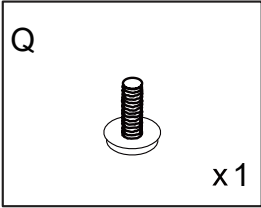
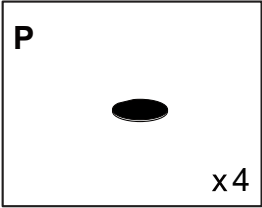
Step 12



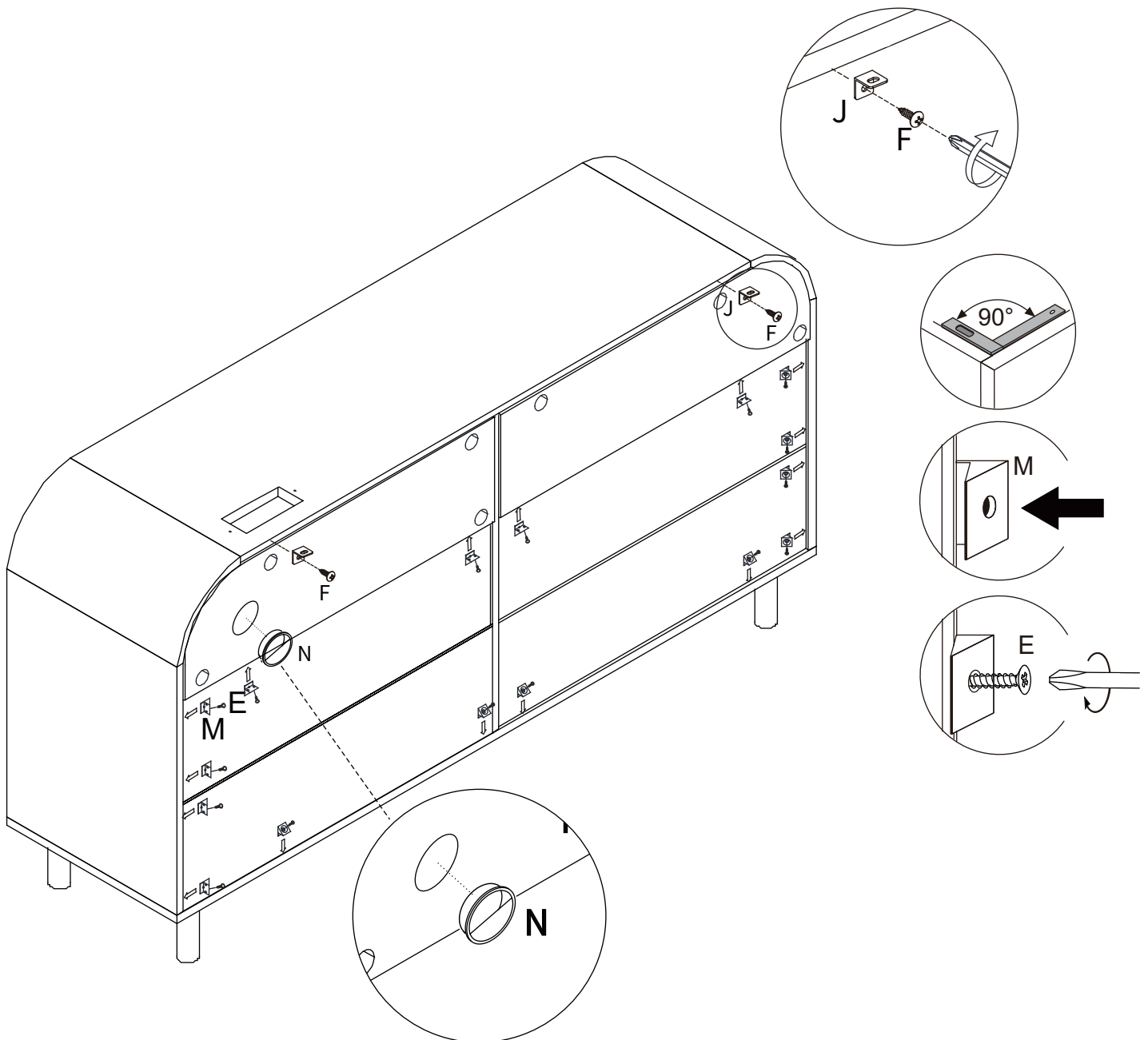
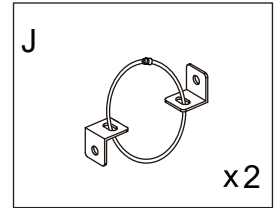
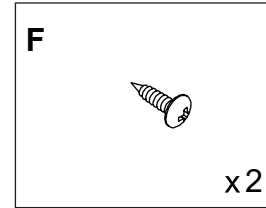
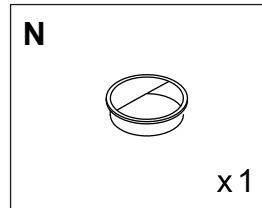
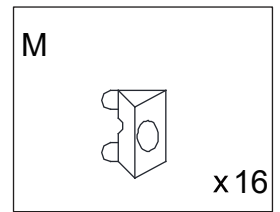
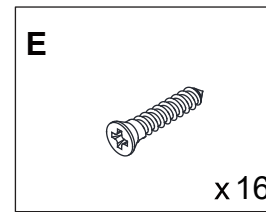
Step 13



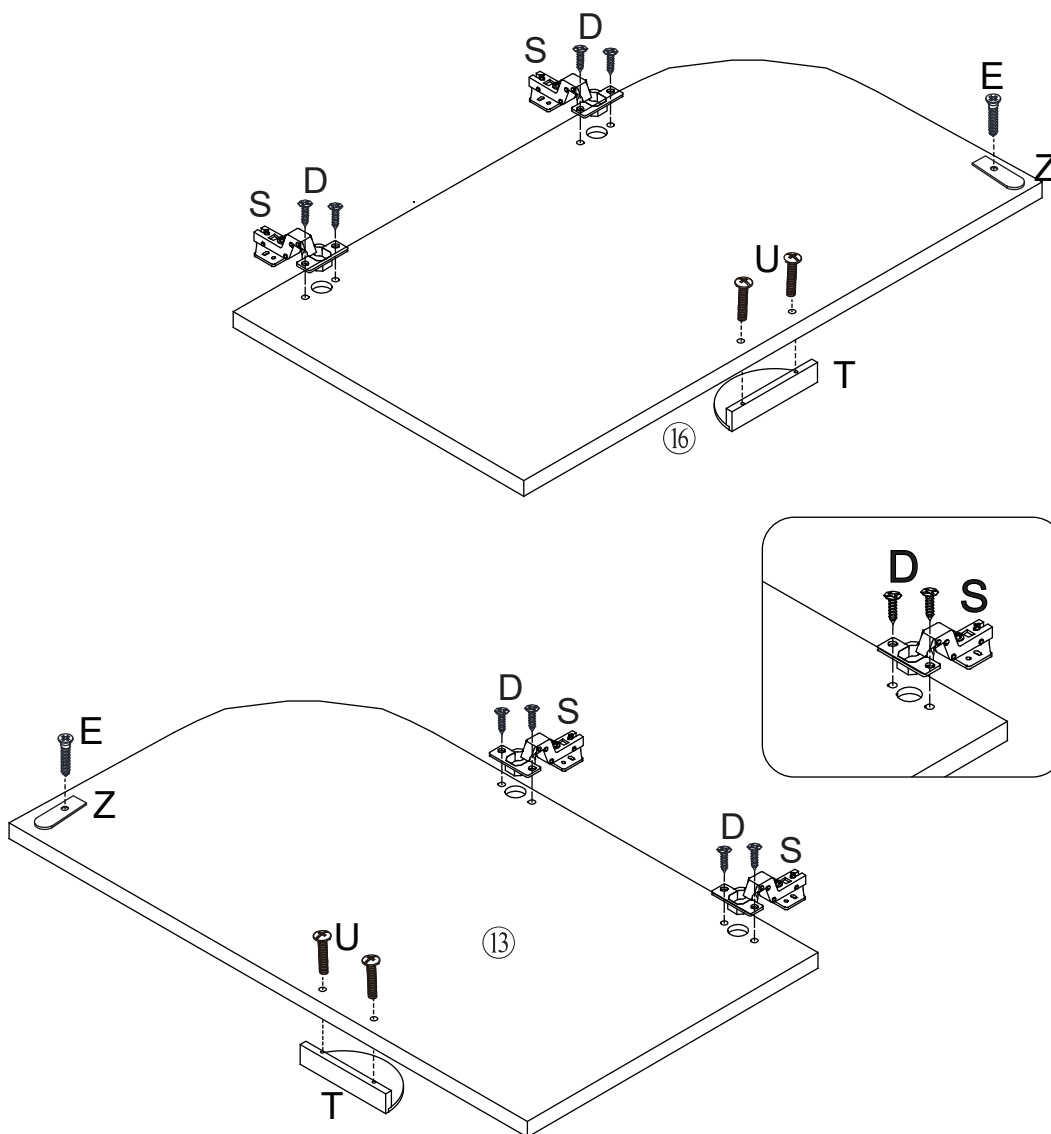
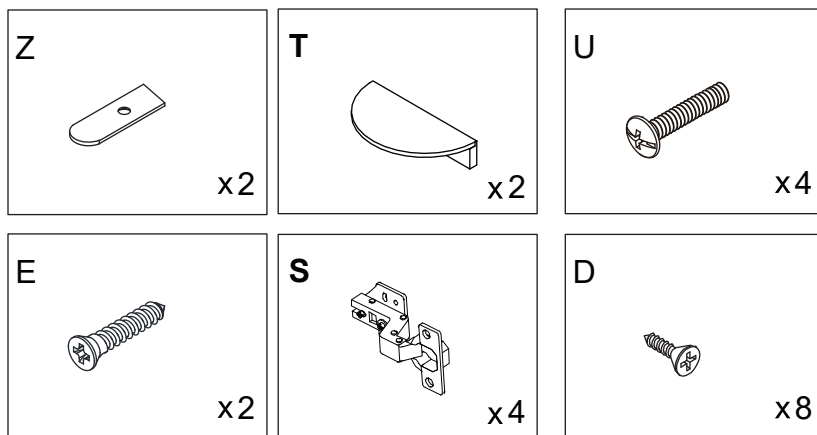
Step 14



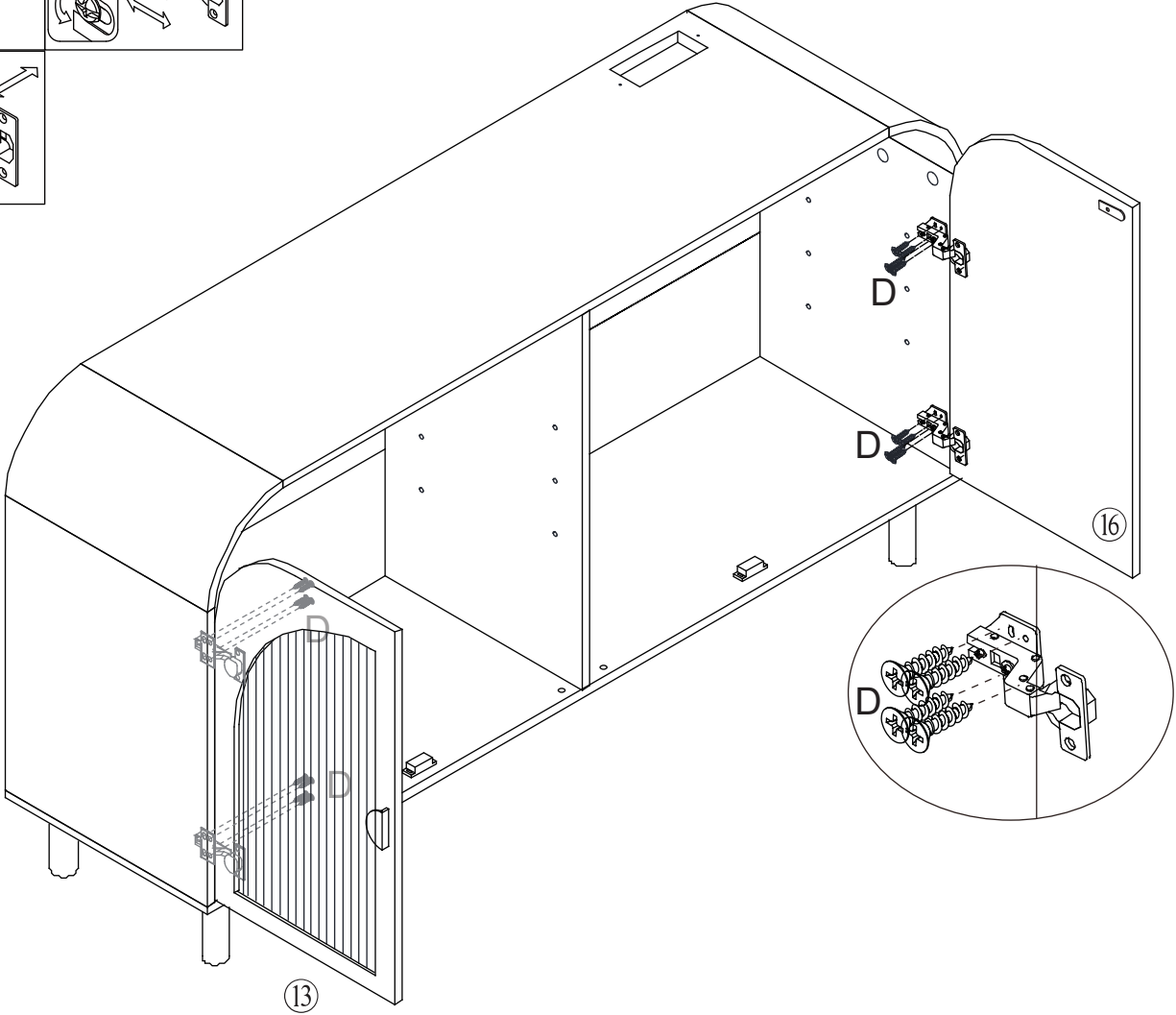
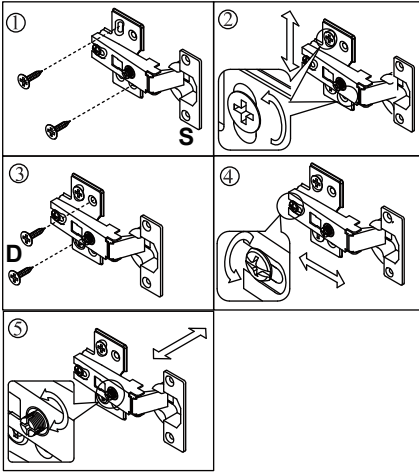
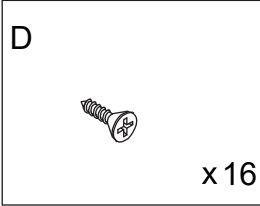
Step 15



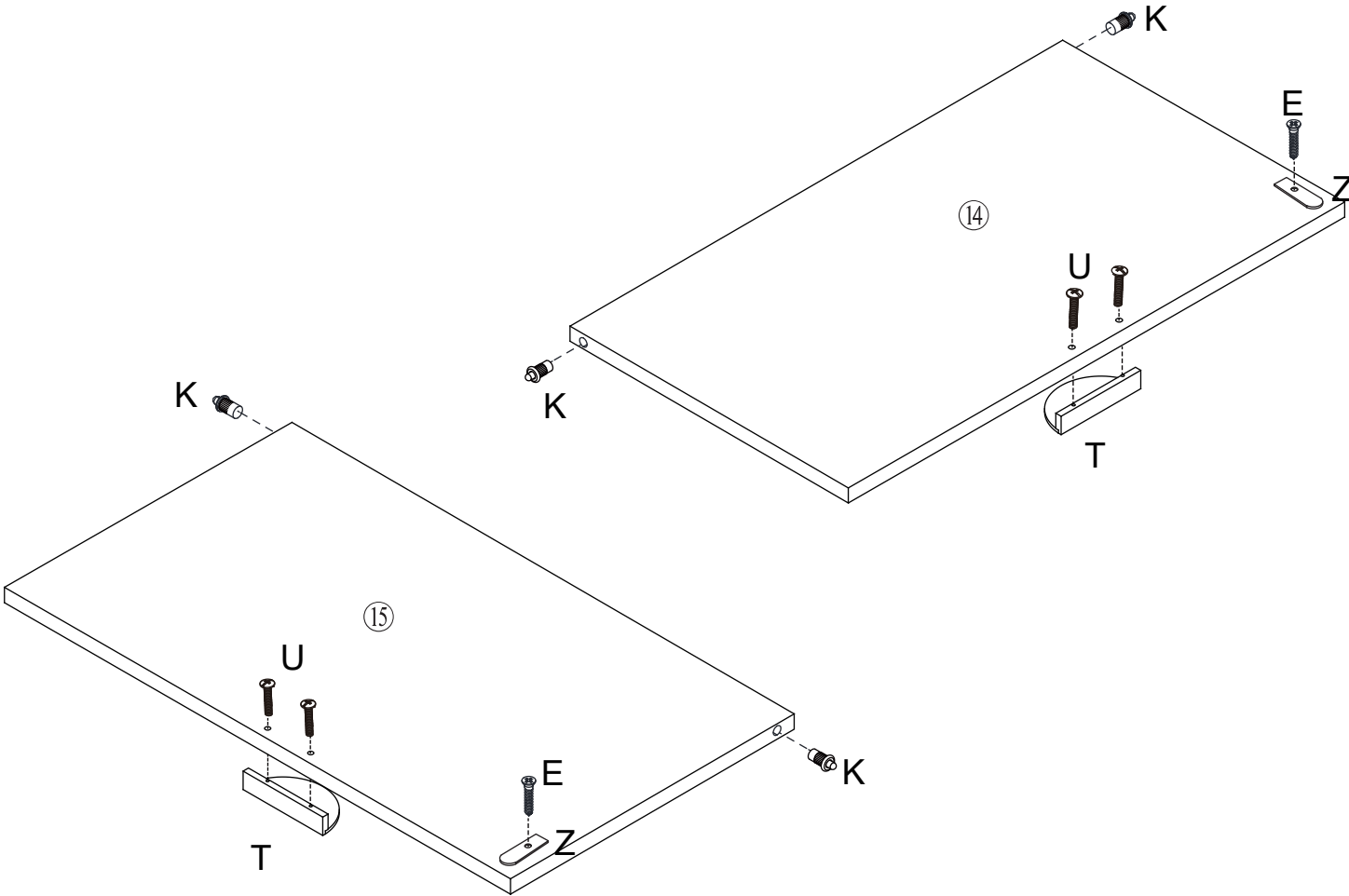
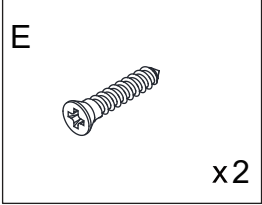
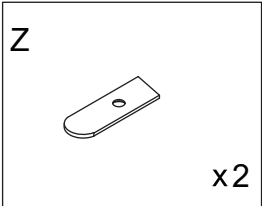
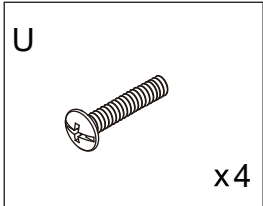
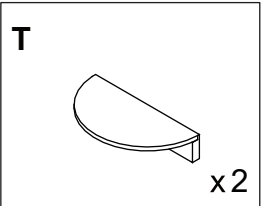
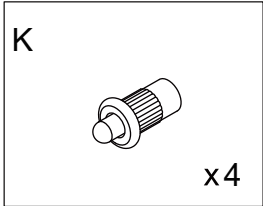
Step 16



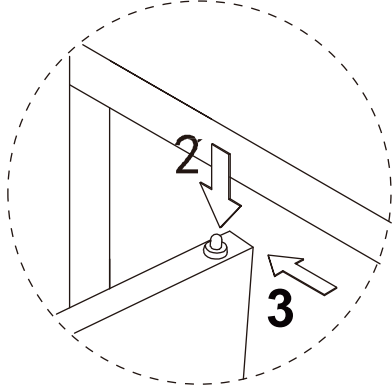
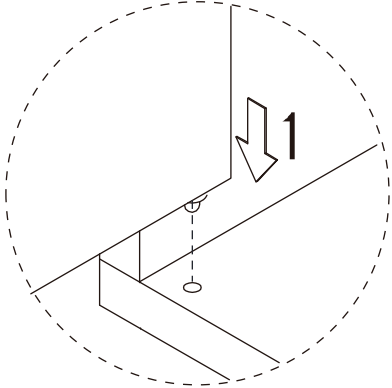
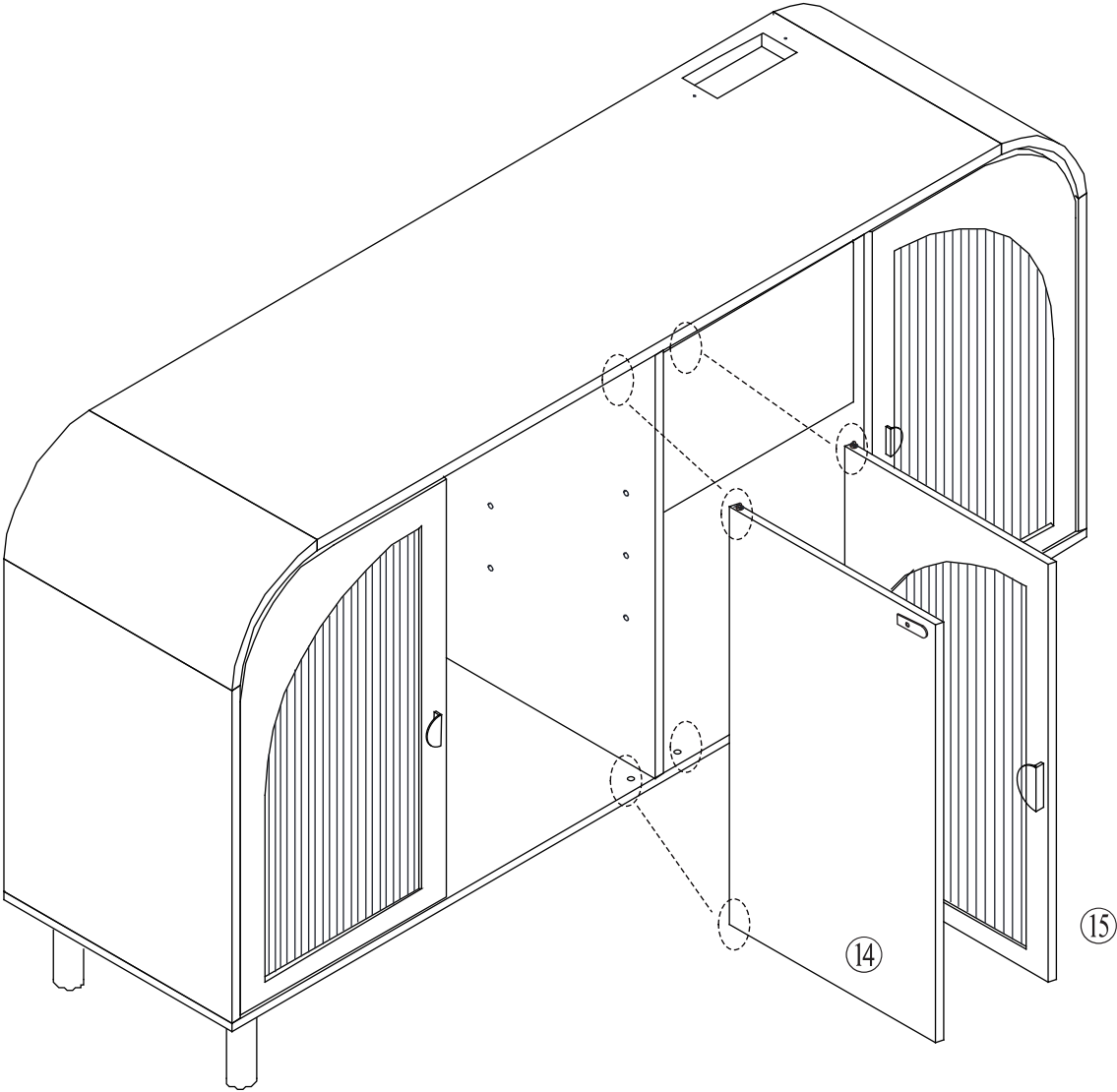
Step 17



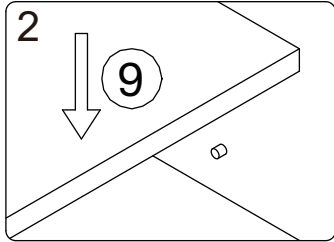
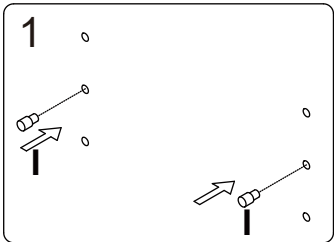
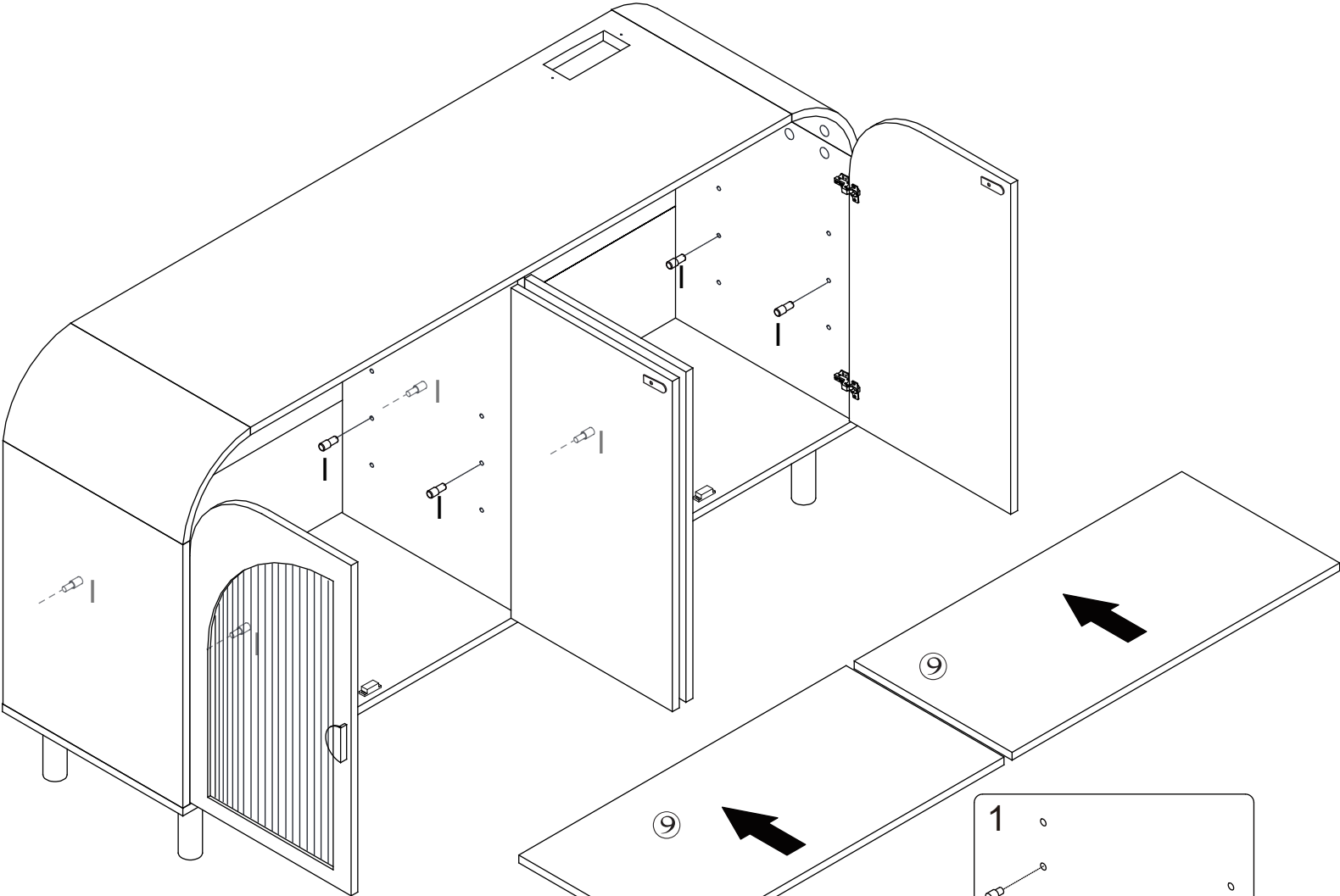
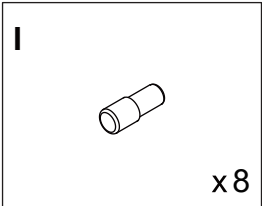
Step 18



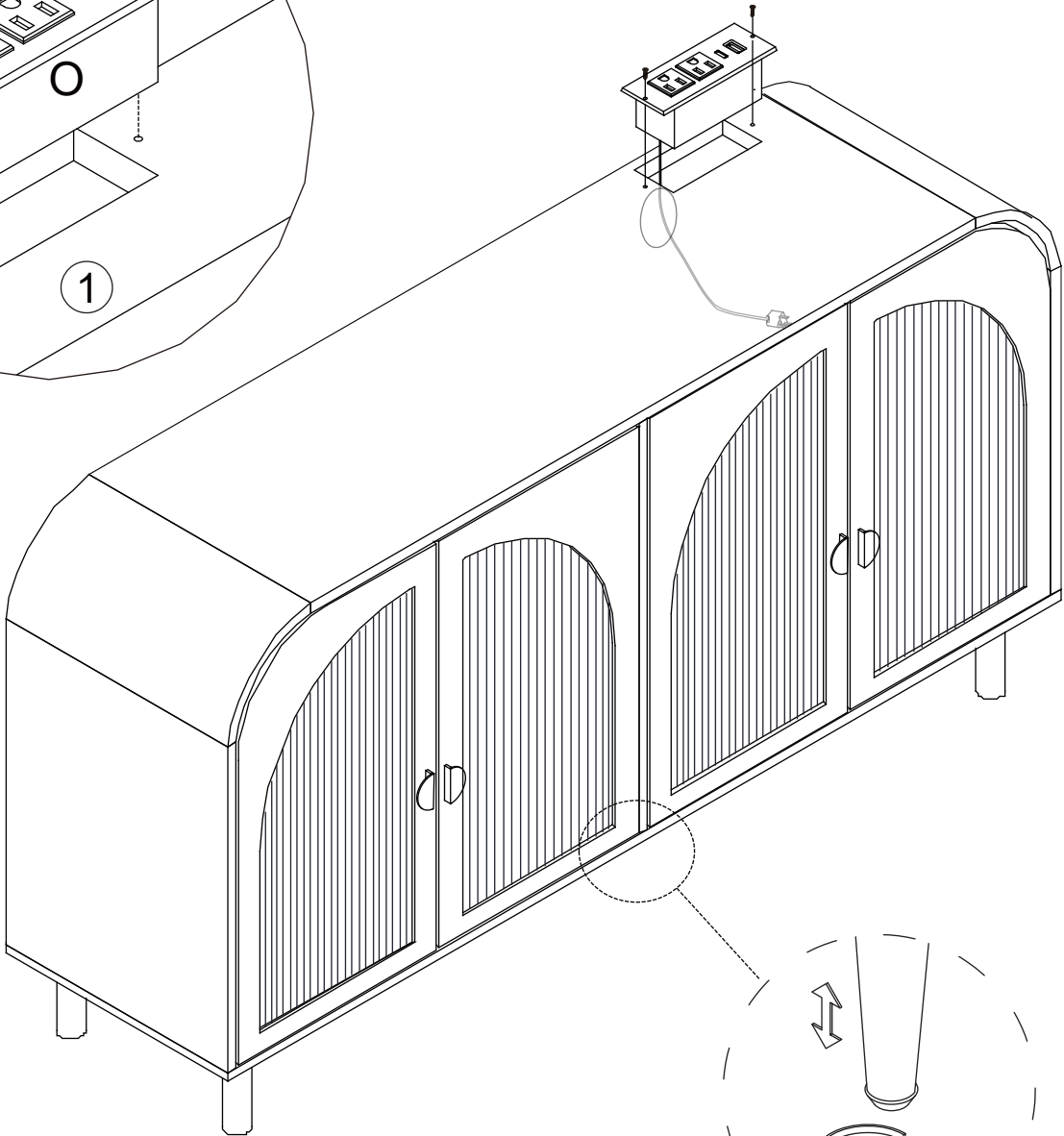
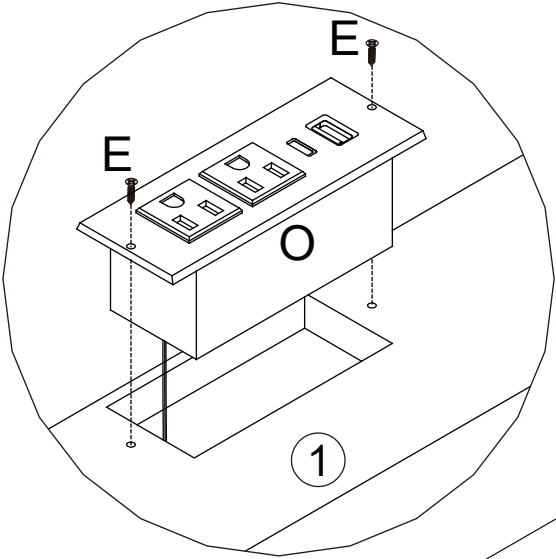
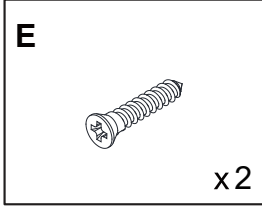
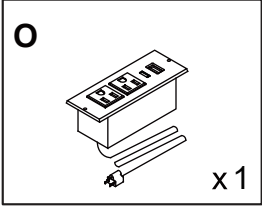
Step 19



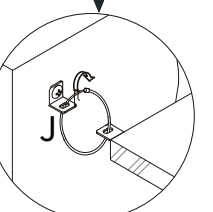
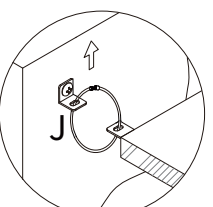
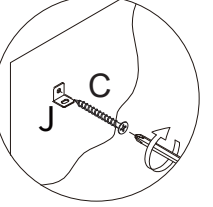
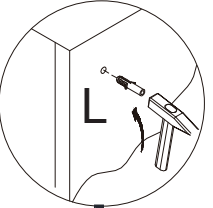
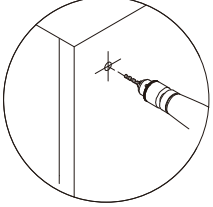
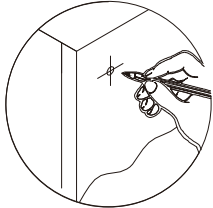
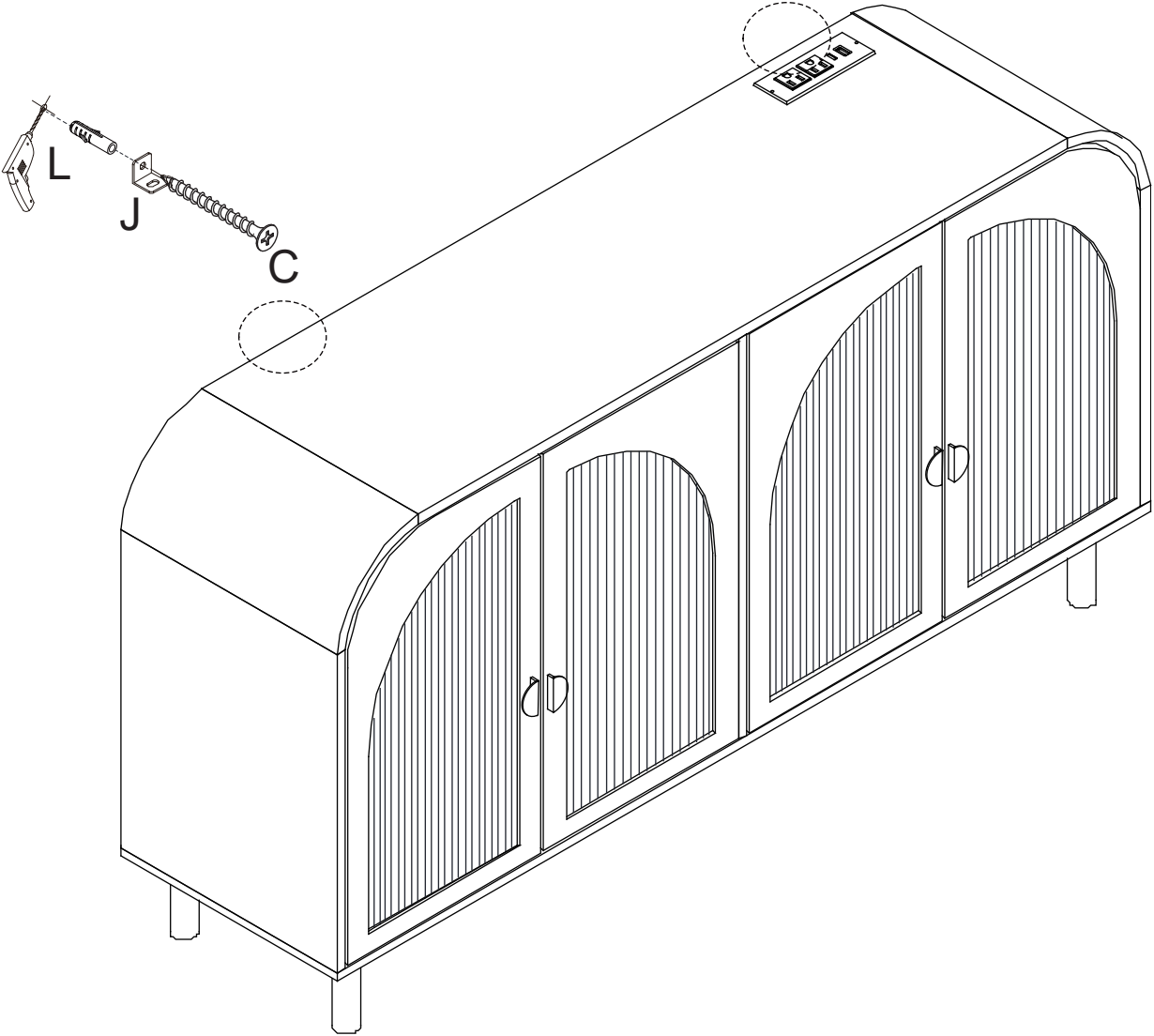
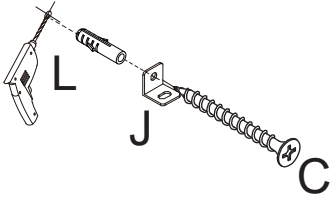
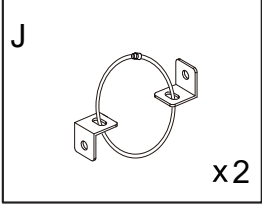
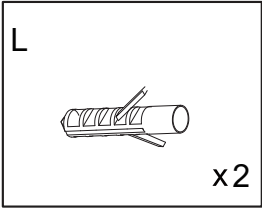
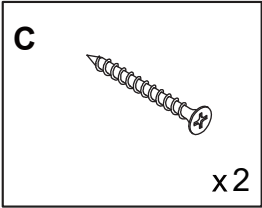
Step 20



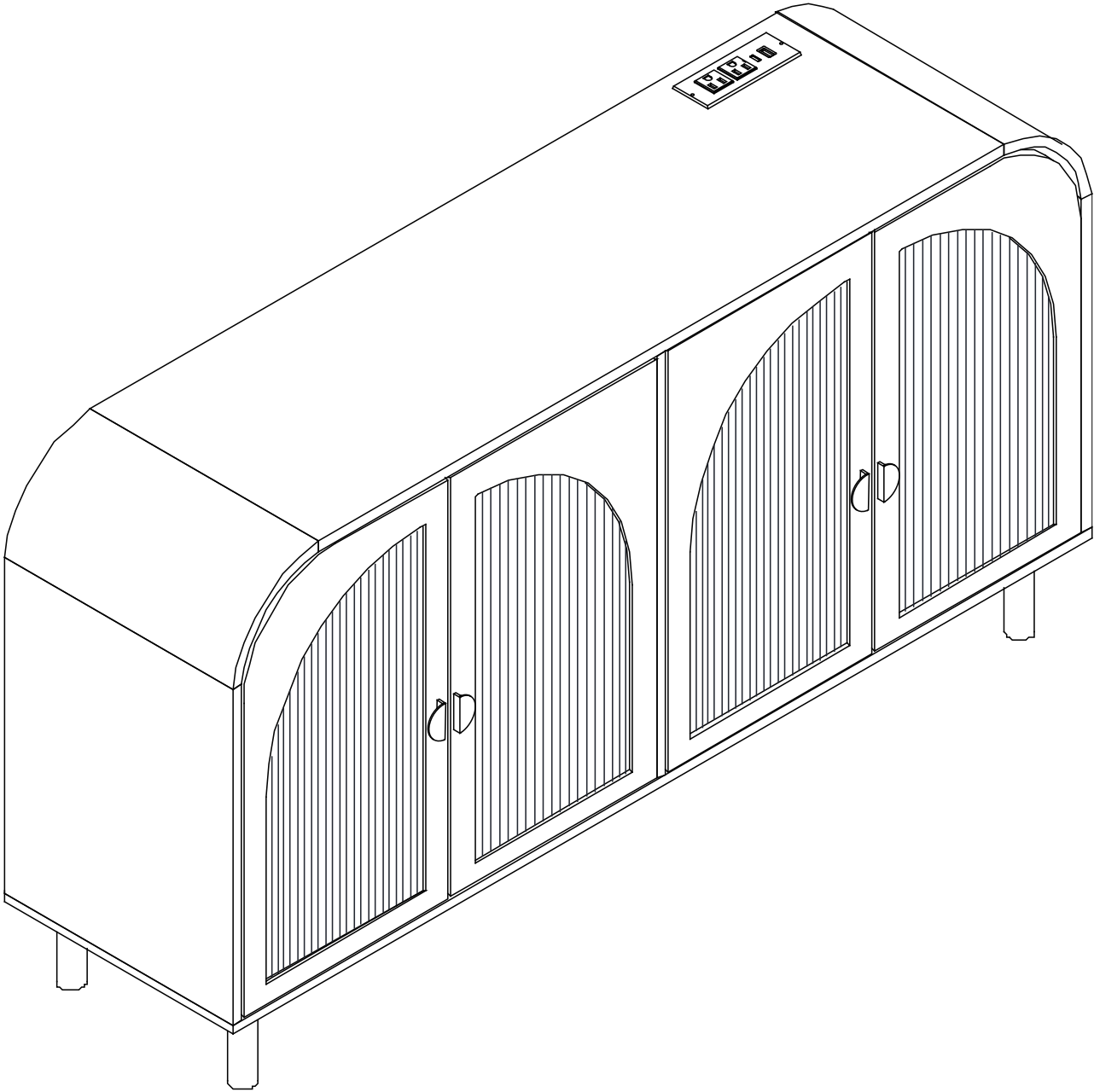
Step 21



Step 22



Step 23



Proper Use

- DO NOT** use for commercial purposes
- DO NOT** use as a step stool or stand on table
- DO NOT** put hot serving liquid directly on the table top
- DO NOT** leave spilled liquid on the table top
- DO NOT** use table if damaged
- DO NOT** exceed weight limit
- DO NOT** make temporary repairs
- DO NOT** use outdoor

Dear Customer:

Thank you for purchasing our product,we wish you satisfy our service,if you have any further questions or any quality issues,please show the belows number and don't hesitate to contact our Customer Service People.