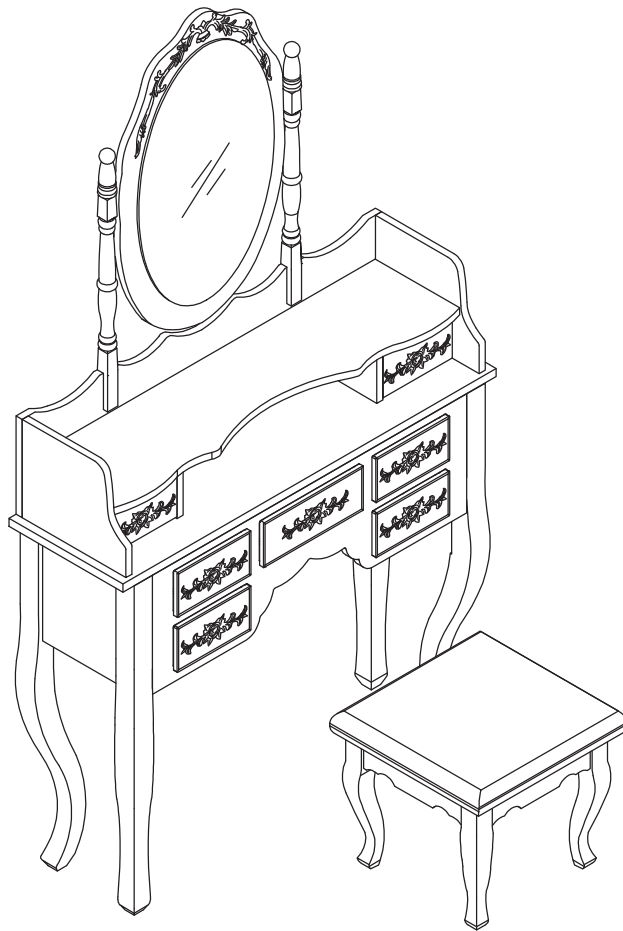


Assembly Instructions

For more information contact our team



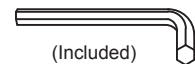
ASSEMBLY RATING

The Assembly Rating is a 5-point system that shows the degree of effort needed in assembling a specific product (with 1 being easy and 5 being difficult). For some products, two persons are recommended.

EASY  DIFFICULT

Tools Required For Assembly:

Allen Wrench



(Included)

Phillips Screwdriver



(Not Included)

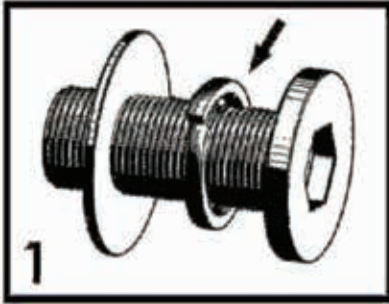


2 PERSONS RECOMMENDED

ASSEMBLY & CARE ADVICE

FOR YOUR FURNITURE TO LAST, CORRECT ASSEMBLY AND PROPER MAINTENANCE ARE NECESSARY. PLEASE FOLLOW THE INFORMATION PROVIDED BELOW TO FULLY ENJOY YOUR FURNITURE.

BASIC ASSEMBLY TECHNIQUES



1
When lock or spring washer is used in an assembly, please make sure the lock or spring washer is placed between the larger flat washer and the head of the screw or bolt.



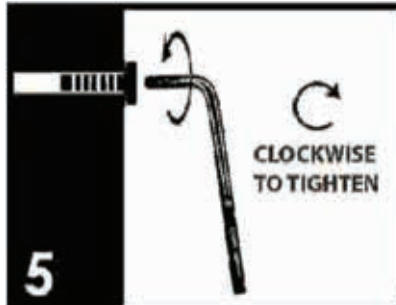
2
Position each part correctly and insert screws or bolts into their respective holes by hand tighten or using the proper hand tool. Only tighten when step is completed or when instructed to do so.



3
Use cardboard or carpet area when assembling furniture to prevent scratches. Make sure the furniture rests on a flat and level surface with each leg evenly touching the floor.



4
Some furniture comes with height adjustment knobs underneath each leg. To lower or to raise each leg, you need to turn clockwise or counterclockwise, respectively.



5
Make sure all parts are properly aligned, then use the appropriate hand tool to completely tighten the bolts or screws. Do not use power tools and do not overtighten.



6
Save the instructions and store the Allen wrench or any supplied tool for later maintenance. After two weeks, check and tighten any loose hardware and repeat again every six months thereafter.

IT IS THE USER'S RESPONSIBILITY TO MAINTAIN THE FURNITURE. THE HARDWARE MAY LOOSEN OVER TIME AND MAY CAUSE THE FURNITURE TO BE WOBBLY AND UNABLE TO SUPPORT ITS INTENDED WEIGHT CAPACITY. THIS MAY LEAD TO COLLAPSE AND MAY CAUSE SERIOUS INJURY.



FAILURE TO FOLLOW THE GUIDELINES ABOVE MAY RESULT IN INJURY AND/OR PROPERTY DAMAGE.

ALL RIGHTS RESERVED.



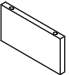
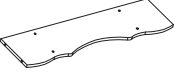
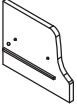
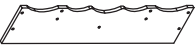
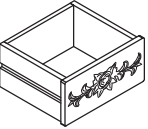
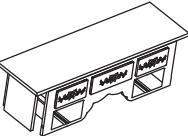









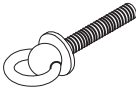

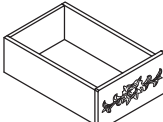
Before you begin, please read Page 2 of "Assembly and Care Advice".

And remember, do not tighten until each step is completed or instructed.

Parts List

Hardware List

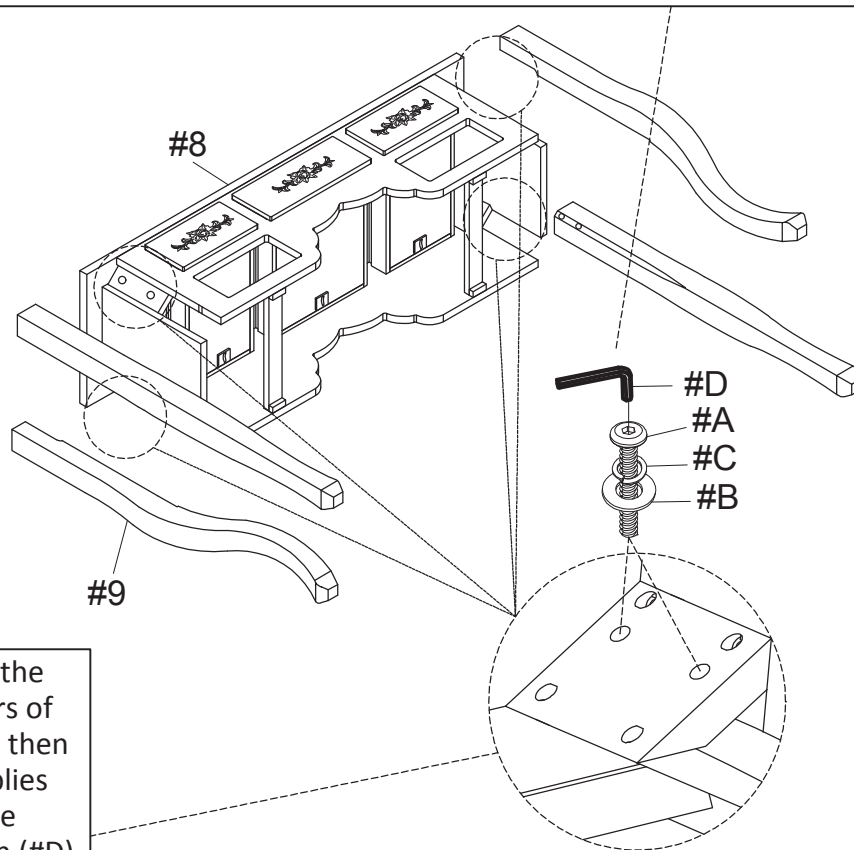
| | |
|---|-----------------------------|
|  | #1 x 1pc Mirror |
|  | #2 x 2pcs Mirror Support |
|  | #3 x 2pcs Center Panel |
|  | #4 x 1pc Top Panel |
|  | #5 x 2pcs Side Panel |
|  | #6 x 1pc Back Panel |
|  | #7 x 2pcs Drawer Top |
|  | #8 x 1pc Cabinet body |
|  | #9 x 4pcs Leg |

| | |
|--|--|
|  | #A x 13pcs Bolt 1/4" x 2" |
|  | #B x 8pcs Flat Washer Ø1/4" |
|  | #C x 8pcs Lock Washer Ø1/4" |
|  | #D x 1pc Allen Key 4mm |
|  | #E x 5pcs Barrel Nuts Ø1/4" |
|  | #F x 4pcs Bolt 5/32 x 1" |
|  | #G x 2pcs Mirror Bolt Ø5/16" x 8 x 1-7/9" |
|  | #H x 4pcs Flat Washer M4 |
|  | #10 x 2pcs Drawer Bottom |



1. Prepare 8 bolt assemblies by first inserting a lock washer (#C) onto the bolt (#A) then a flat washer (#B) onto that same bolt (#A).

#A x 8pcs
#B x 8pcs
#C x 8pcs

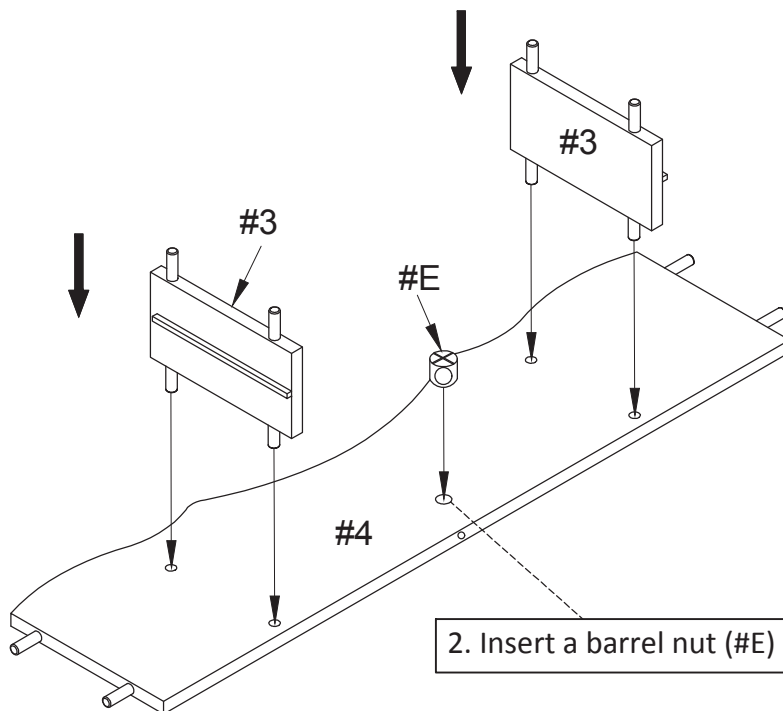


2. Align the legs (#9) to the holes along the corners of the cabinet body (#8), then insert the bolt assemblies from within and secure using the Allen wrench (#D).



1. Insert the pins along the center panels (#3) into the holes along the top panel (#4).

#E x 1pc



2. Insert a barrel nut (#E) into the large hole.

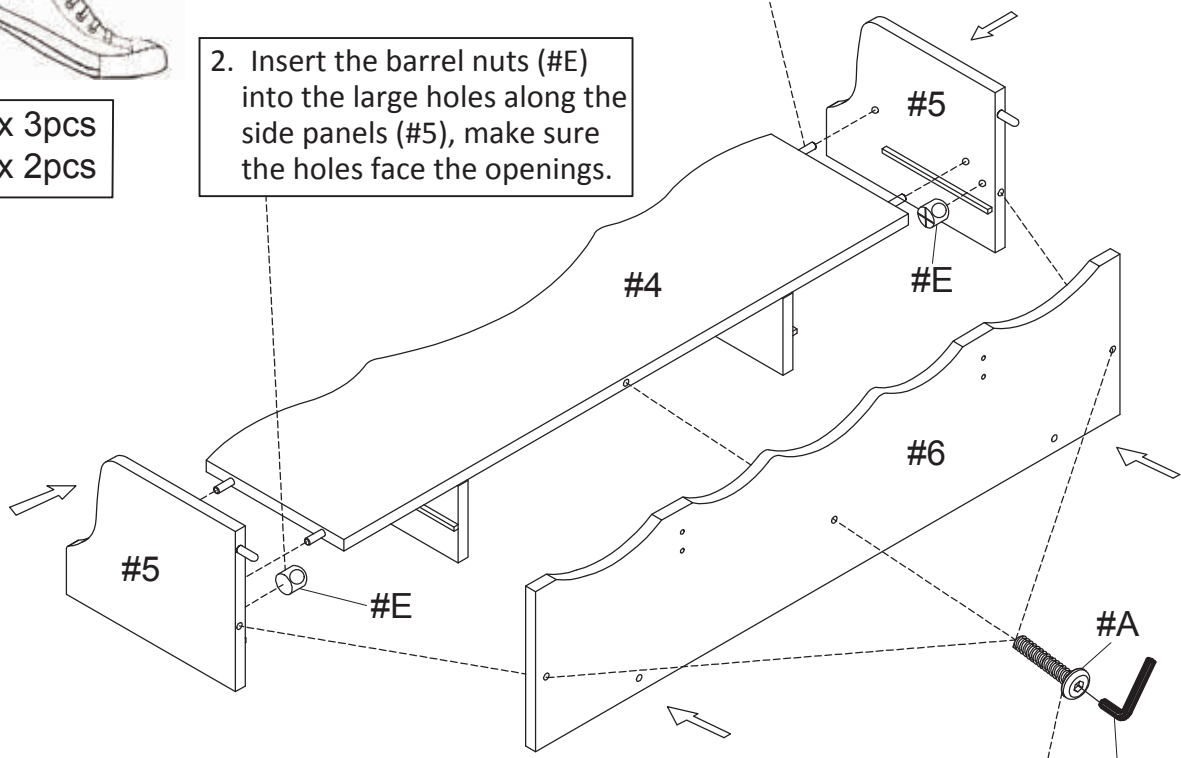


#3

#A x 3pcs
#E x 2pcs

1. Insert the pins along the top panel (#4) into the holes along the side panels (#5).

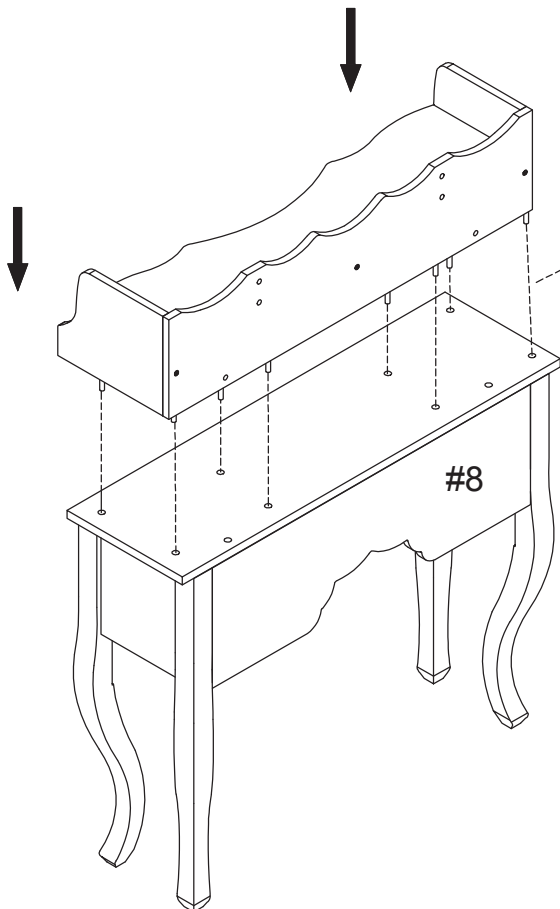
2. Insert the barrel nuts (#E) into the large holes along the side panels (#5), make sure the holes face the openings.



3. Then insert the bolts (#A) into the back panel (#6) and secure.



#4

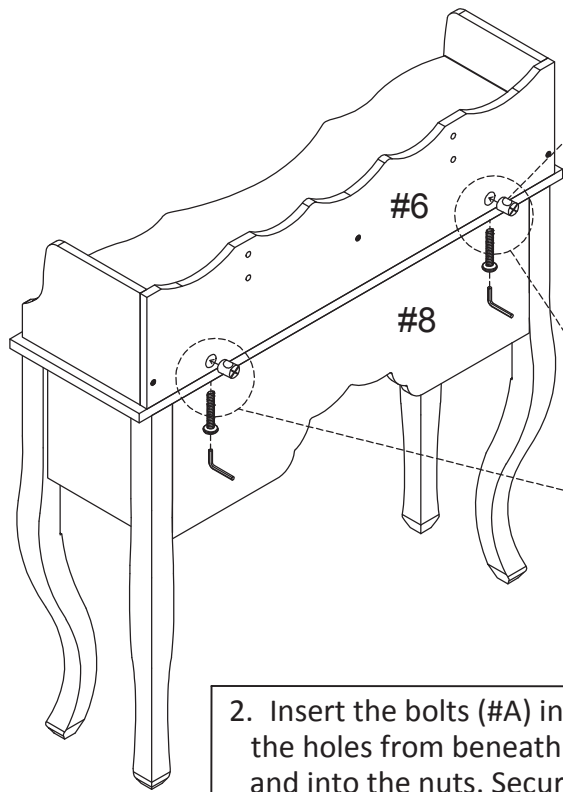


Insert each end into the holes along the cabinet body (#1).



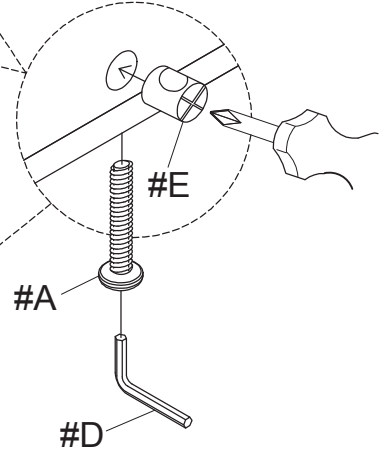
#5

#A x 2pcs
#E x 2pcs



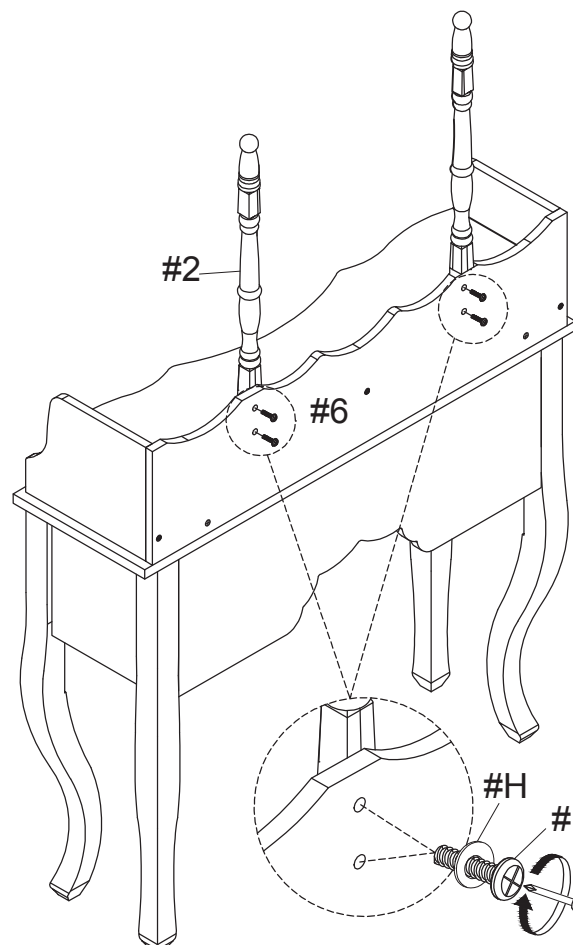
1. Insert the barrel nut (#E) into the large holes along the back panel (#6), make sure to align the hole.

2. Insert the bolts (#A) into the holes from beneath and into the nuts. Secure using the Allen wrench (#D).



#6

#F x 4pcs
#H x 4pcs

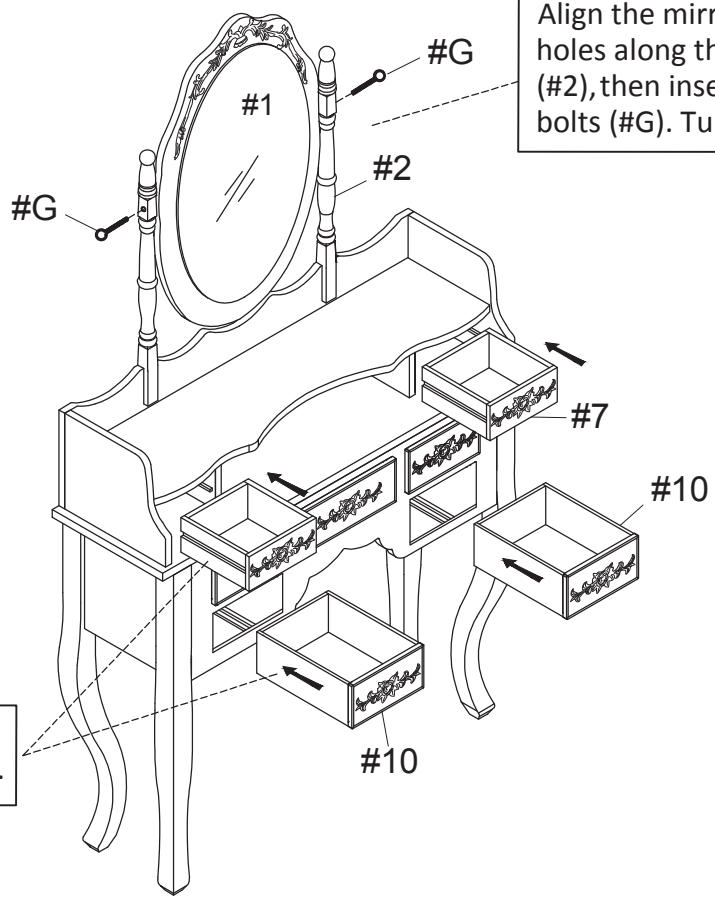


Align the mirror supports (#2) to the holes along the back panel (#6), then insert a bolt (#F) with flat washer (#H) into each hole and secure.

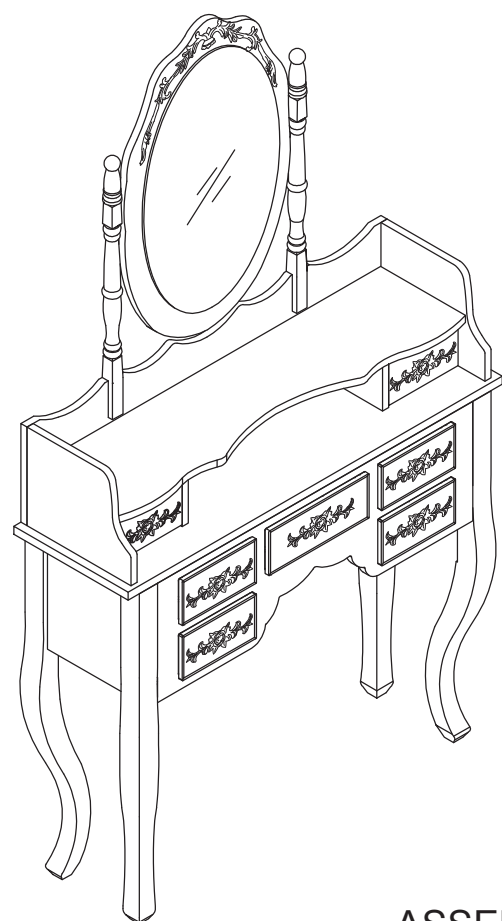


#G x 2pcs

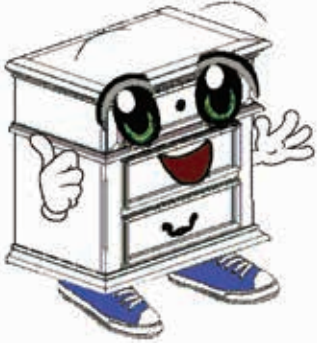
Align the mirror (#1) to the holes along the mirror supports (#2), then insert the mirror bolts (#G). Turn right to secure.



Insert the drawer top (#7) and the drawer bottom (#10).



ASSEMBLY IS COMPLETED

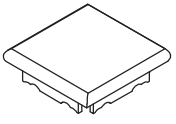







Before you begin, please read Page 2 of "Assembly and Care Advice".

And remember, do not tighten until each step is completed or instructed.

Parts List

Hardware List

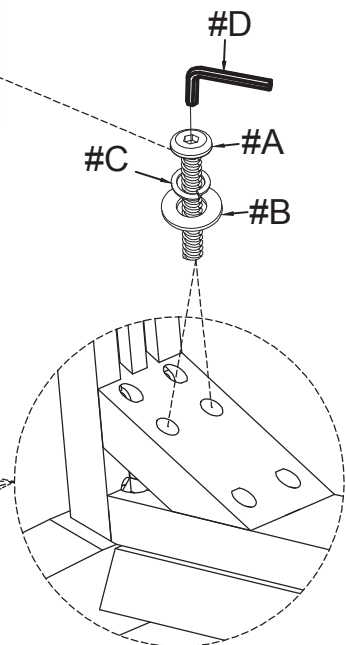
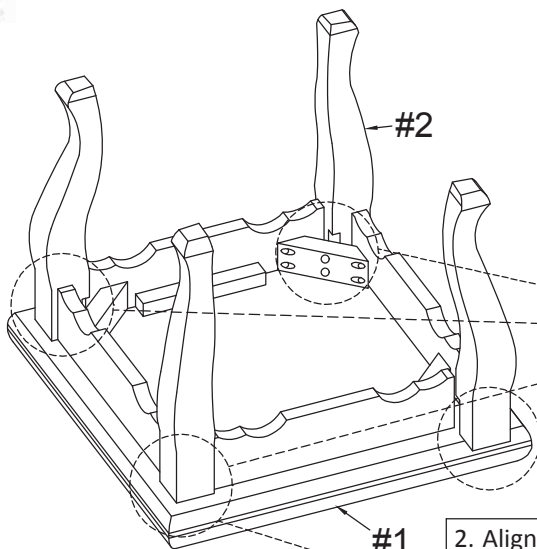
-  #1 x 1pc
Seat
-  #2 x 4pcs
Leg

-  #A x 8pcs
Bolt $\text{\O}1/4"$ x 2"
-  #B x 8pcs
Flat Washer $\text{\O}1/4"$
-  #C x 8pcs
Lock Washer $\text{\O}1/4"$
-  #D x 1pc
Allen Key 4mm



1. Prepare 8 bolt assemblies by first inserting a lock washer (#C) onto the bolt (#A) then a flat washer (#B) onto that same bolt (#A).

#A x 8pcs
#B x 8pcs
#C x 8pcs



2. Align the legs (#2) to the holes along the corners of the seat (#1), then insert the bolt assemblies from within and secure using the Allen wrench (#D).