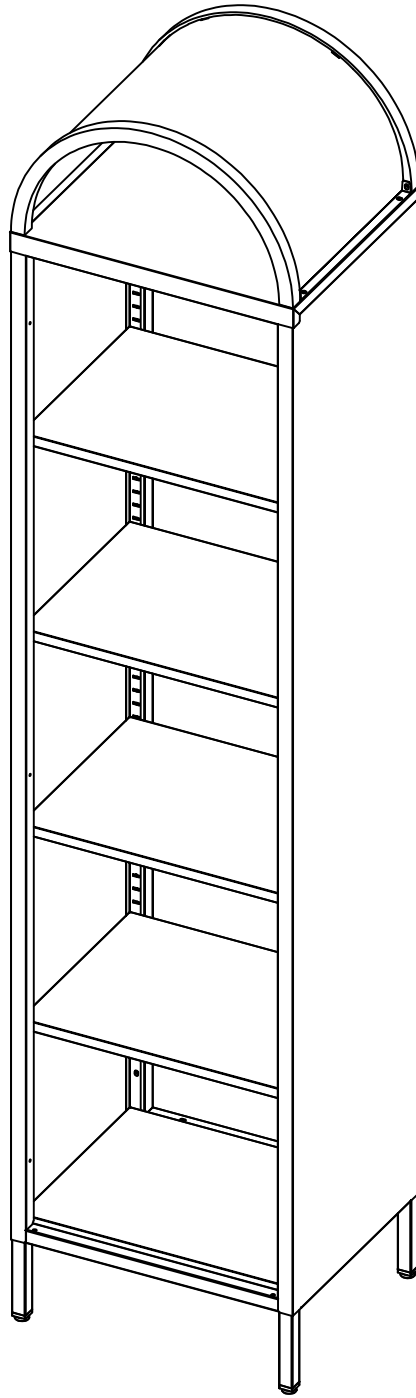
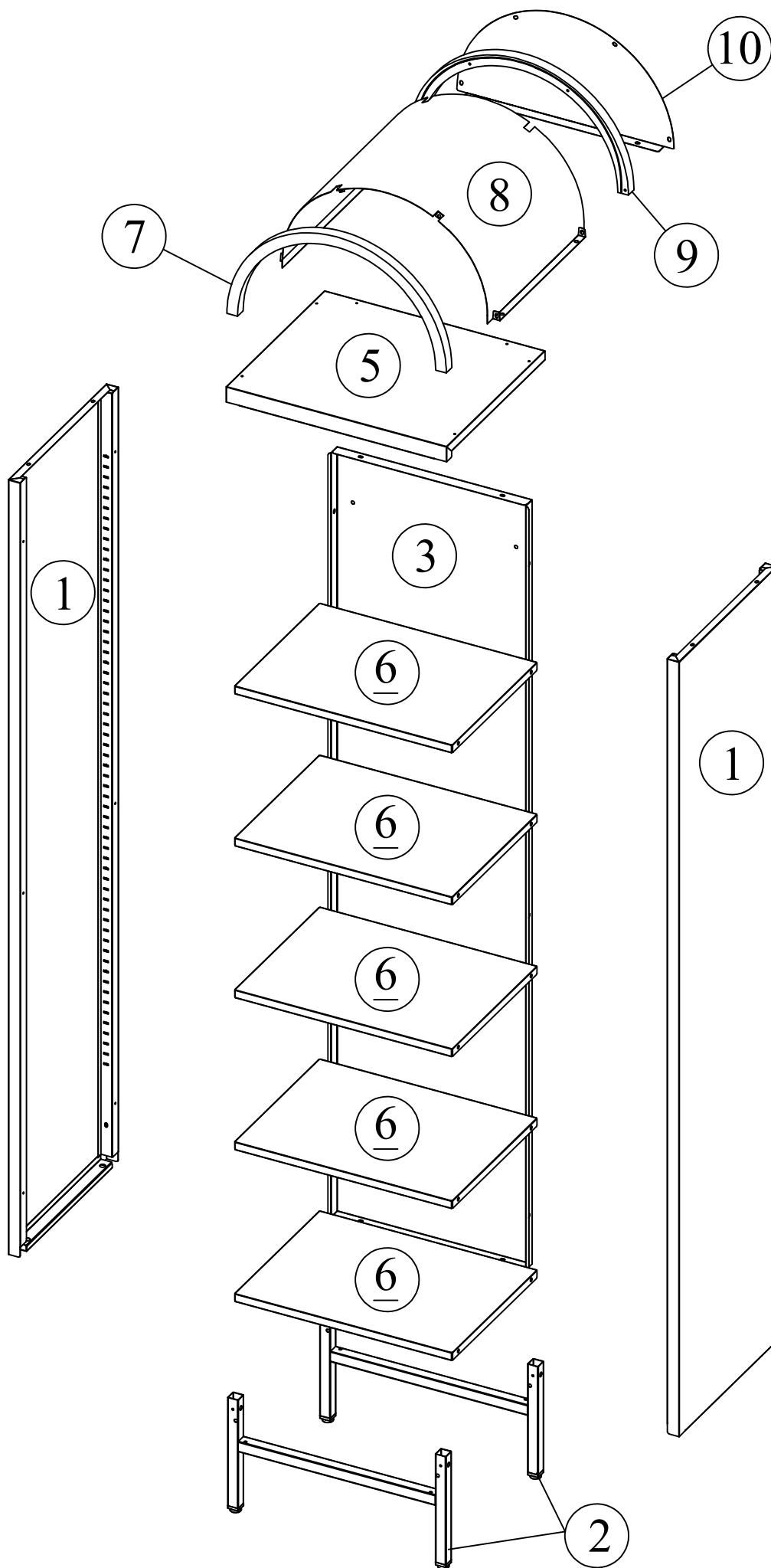



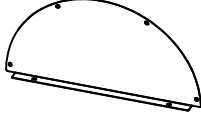


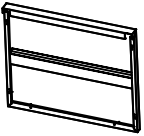

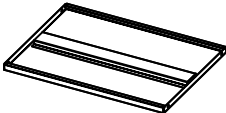
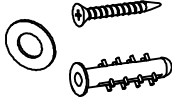


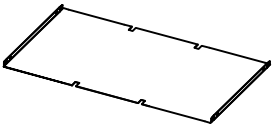


Assembly Instructions





Accessories

Name		Picture	Qty	Name		Picture	Qty
1	Side panel		2	9	Dome back tube		1
2	Kick plate		2	10	Dome back panel		1
3	Back panel		1	A	13/32 Screw		26
5	Top panel		1	D	Shelf clasp		16
6	Shelf		5	I	Expansion screw		2
7	Dome front tube		1	N	M5*10 black screw		8
8	Dome panel		1				



CAUTION

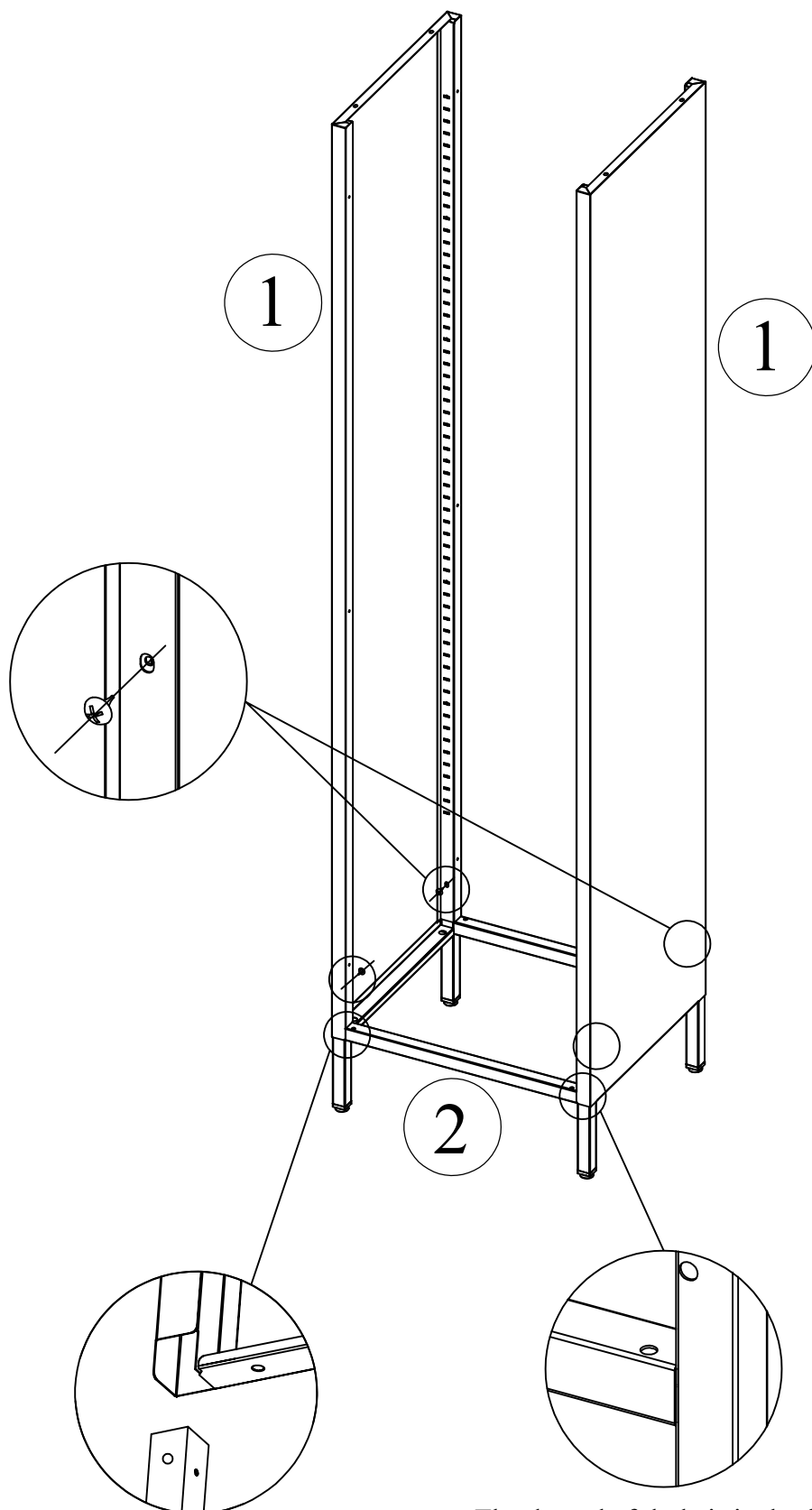
An assistant is required.

CUSTOMER FIRST, SERVICE FOREMOST!
 Questions? Issues?
CONTACT US
 REPLY WITHIN 24 HOURS IN BUSINESS DAYS

Step 1

Insert side panels 1 into kick plates 2 and fix them with screws A

(A)  × 4

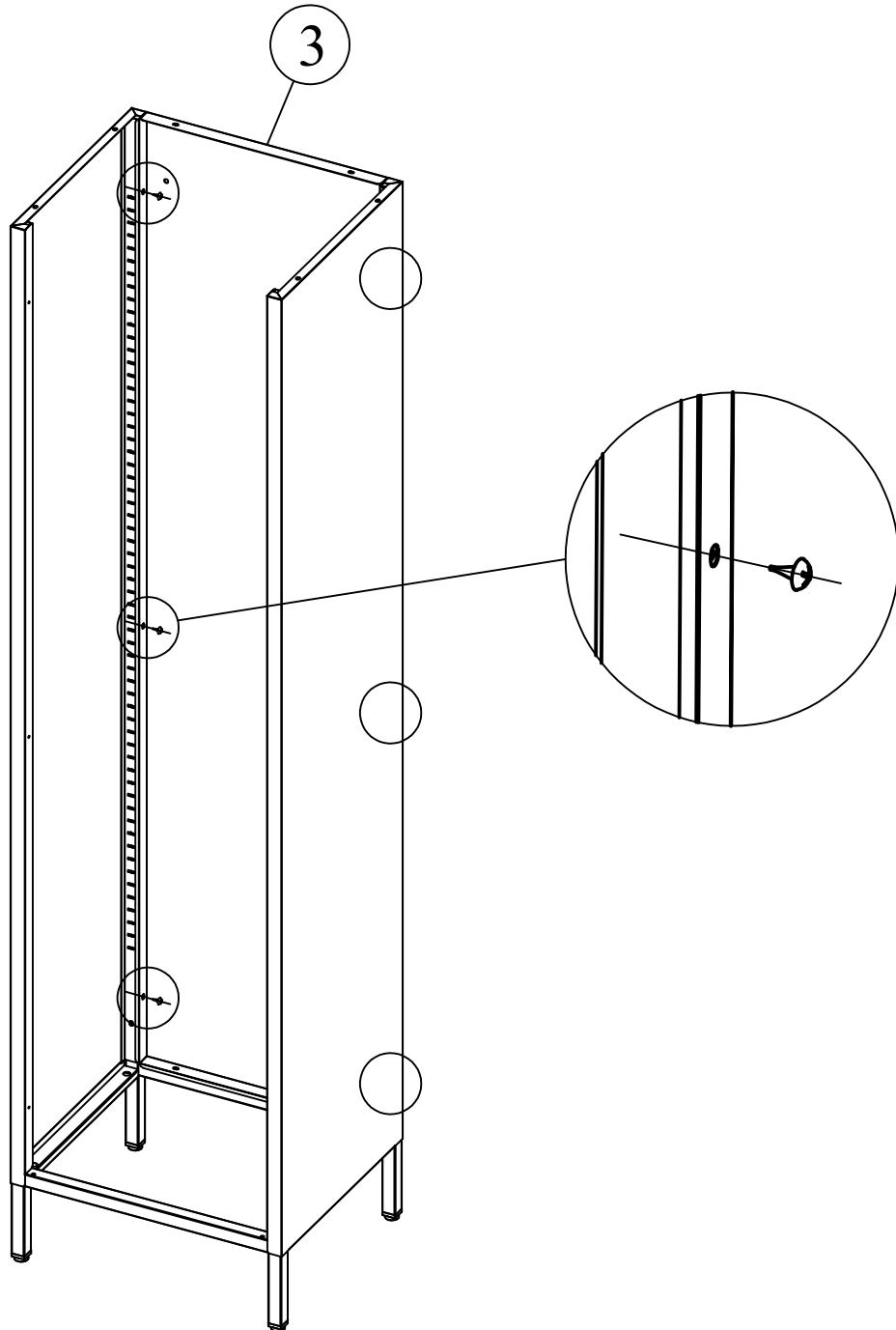


The door shaft hole is in the front

Step 2

Connect back panel 3 with side panels 1 by screws A

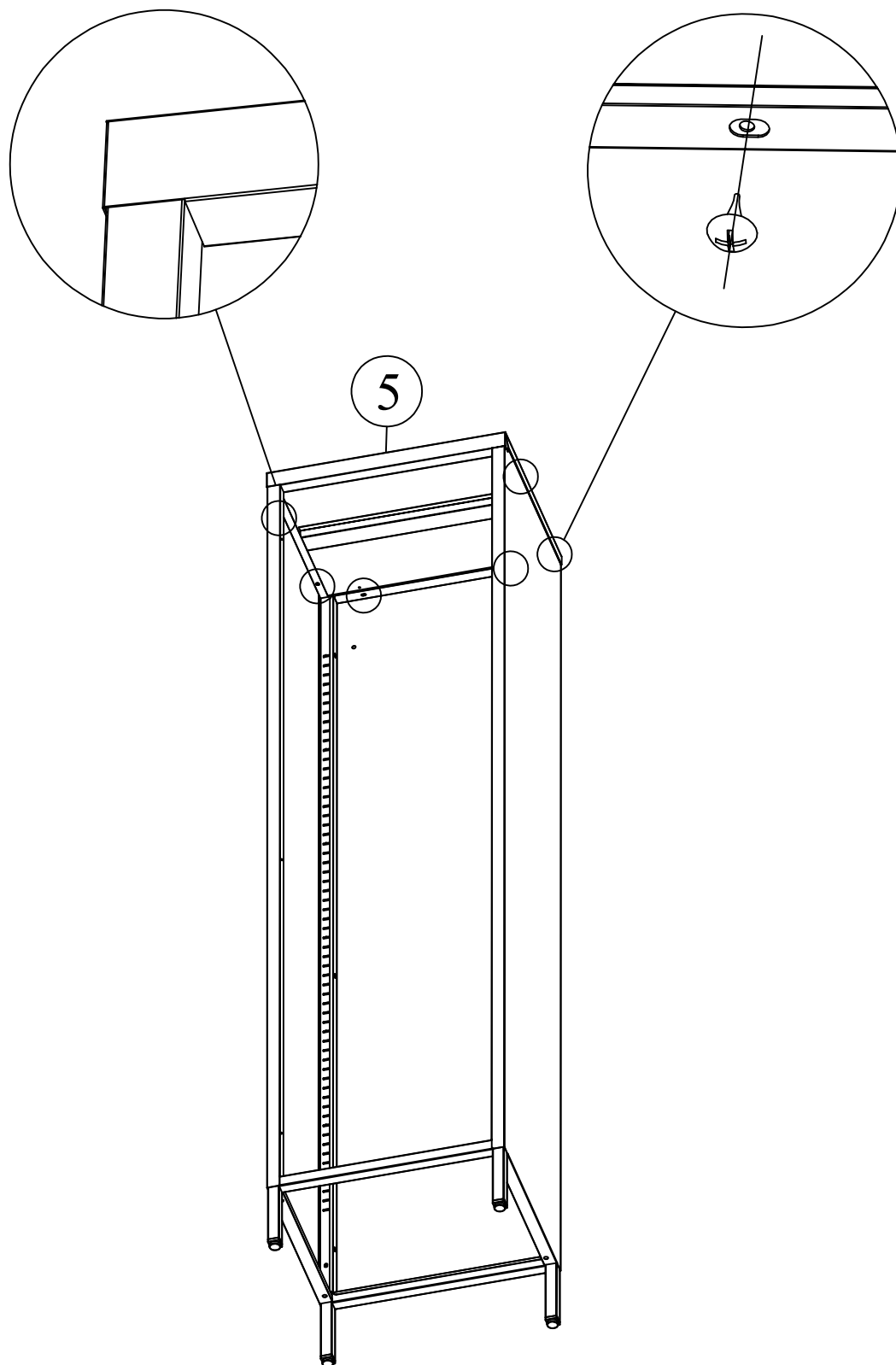
(A)  × 6



Step 3

Connect top panel 5 with back panel and side panels by screws A

(A)  × 6

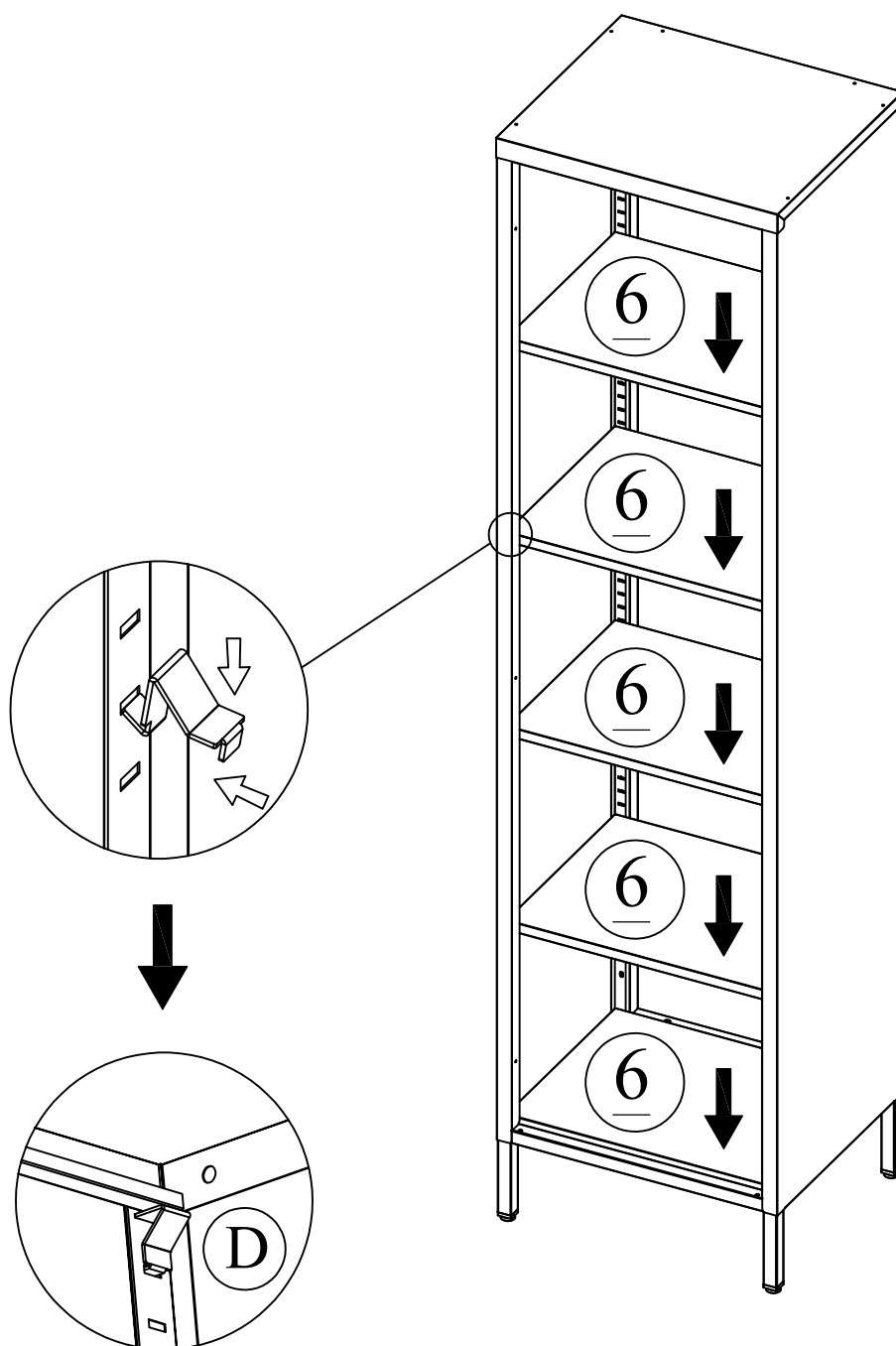


Step 4

Install the shelf clasps D and put the shelves 6 on them

ⓓ  × 16

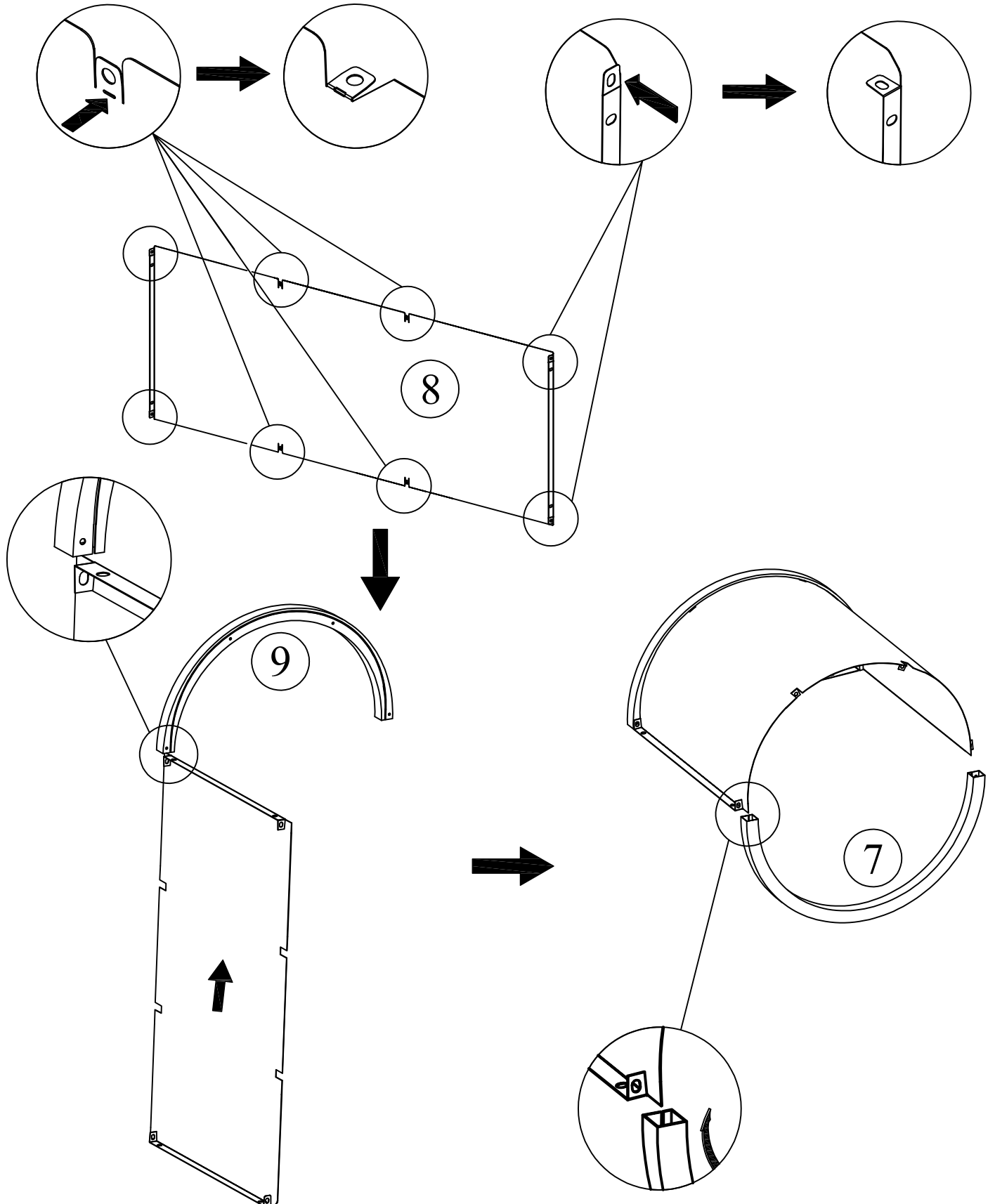
Tilt the bottom shelf 6 into the cabinet and press it down to snugly fit against the kick plates (No screws and shelf clasps are needed)



Step 5

Fold all the small parts on dome panel 8 towards the middle for 90 degree

Insert dome panel 8 into dome back tube 9 and dome front tube 7



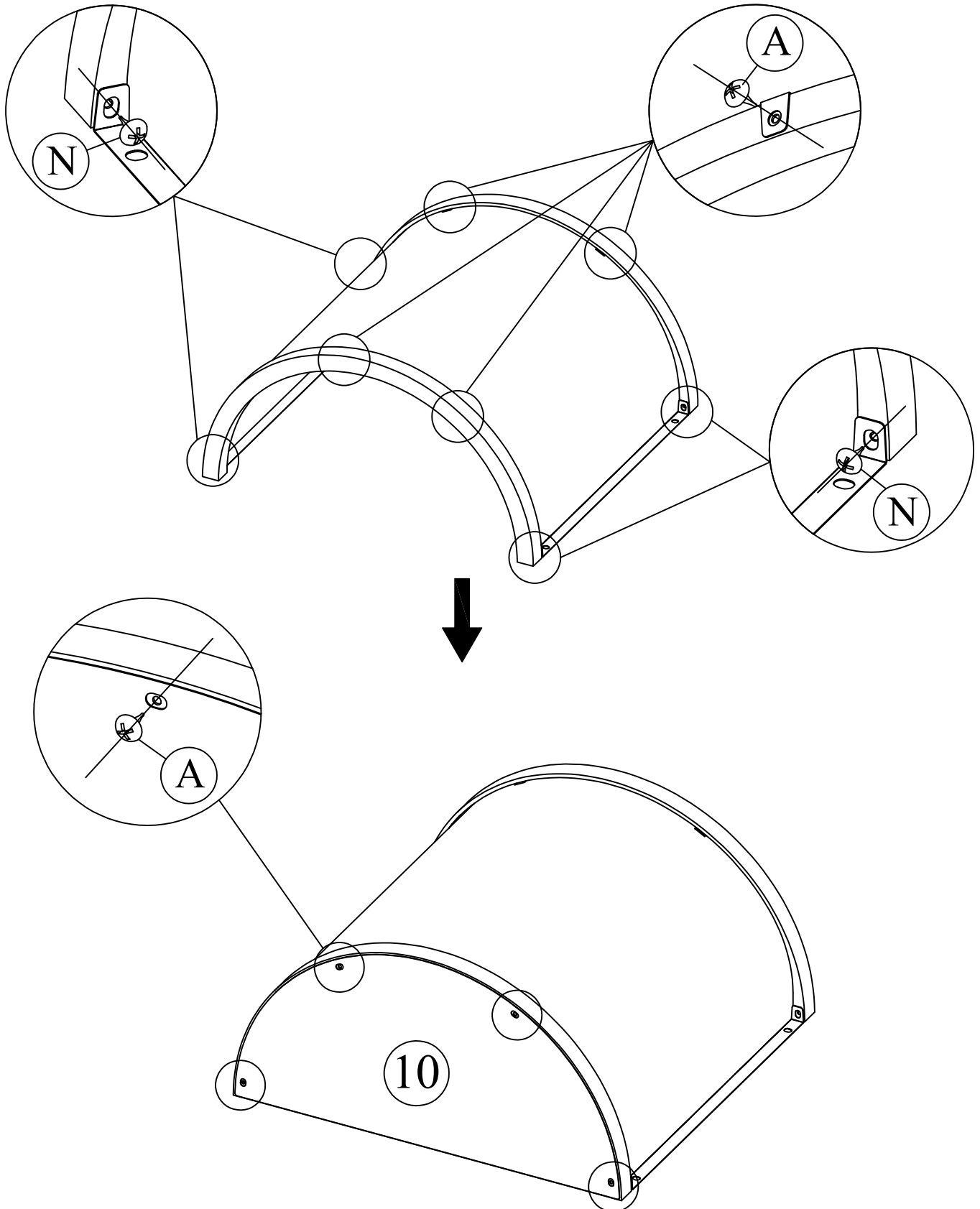
Step 6

Fix the dome panels and tubes with 4 screws
A and screws N in the middle and ends

(A)  × 8

Fix the dome back panel 10 with 4 screws A

(N)  × 4

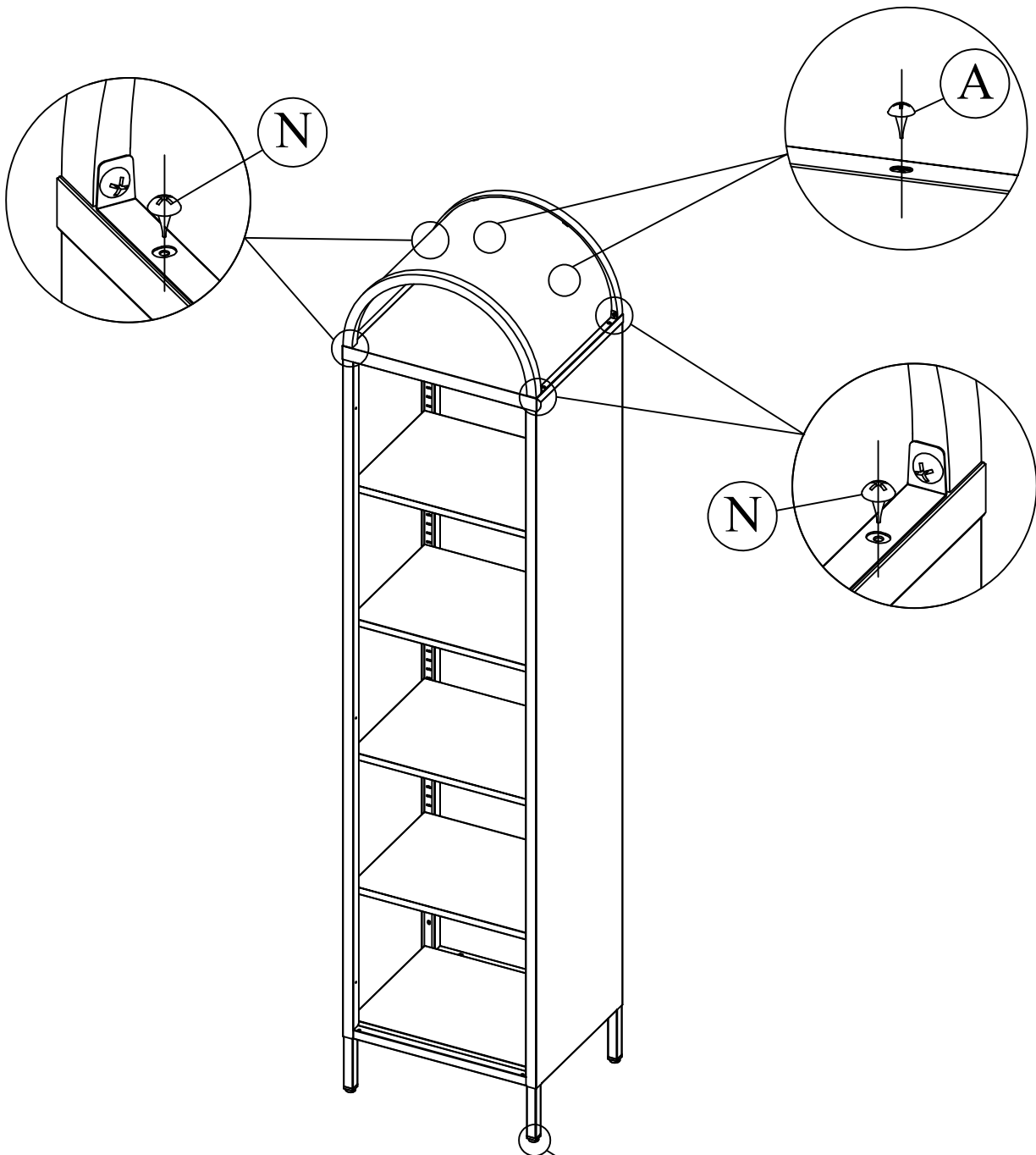


Step 7

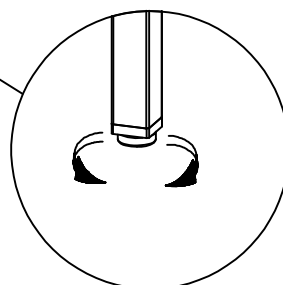
Fix the dome on the top of the cabinet with screws A and N, then adjust the feet of the cabinet

(A)  × 2

(N)  × 4

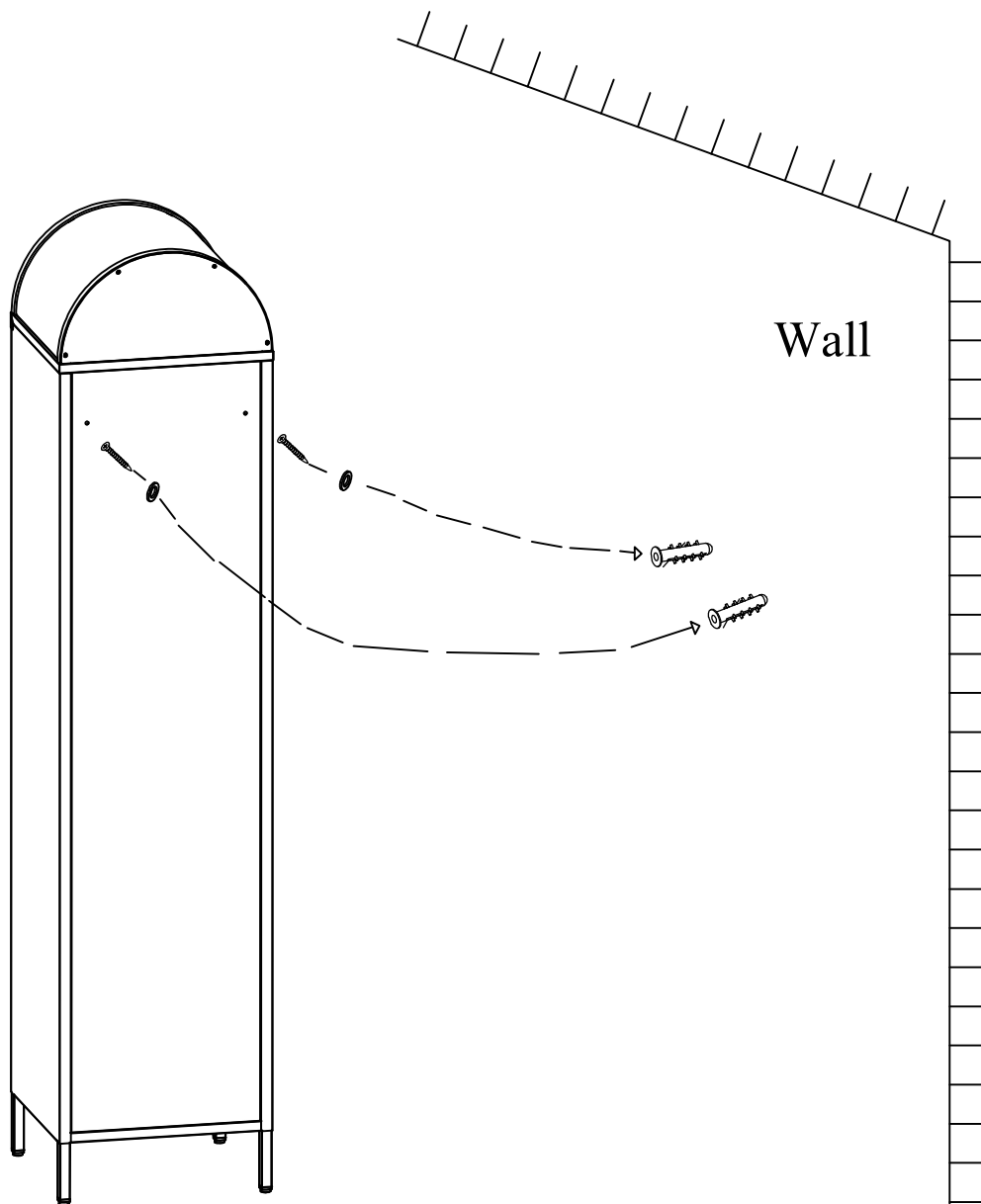
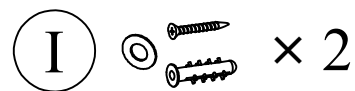


Tips: If the ground is uneven, you can rotate the feet to adjust.



Step 8

Fix the cabinet to the wall with screws
I to prevent tipping



 **DANGER**



Always secure this furniture with an anchor device.

Unsecured furniture can cause serious injury or death to children.

Never allow children to stand, climb or hang on drawers, doors or shelves.

Never open more than one drawer or door at a time.

Place the heavy items on the lower position.

Never place a television on this furniture.

This is a permanent label. Do not remove!