

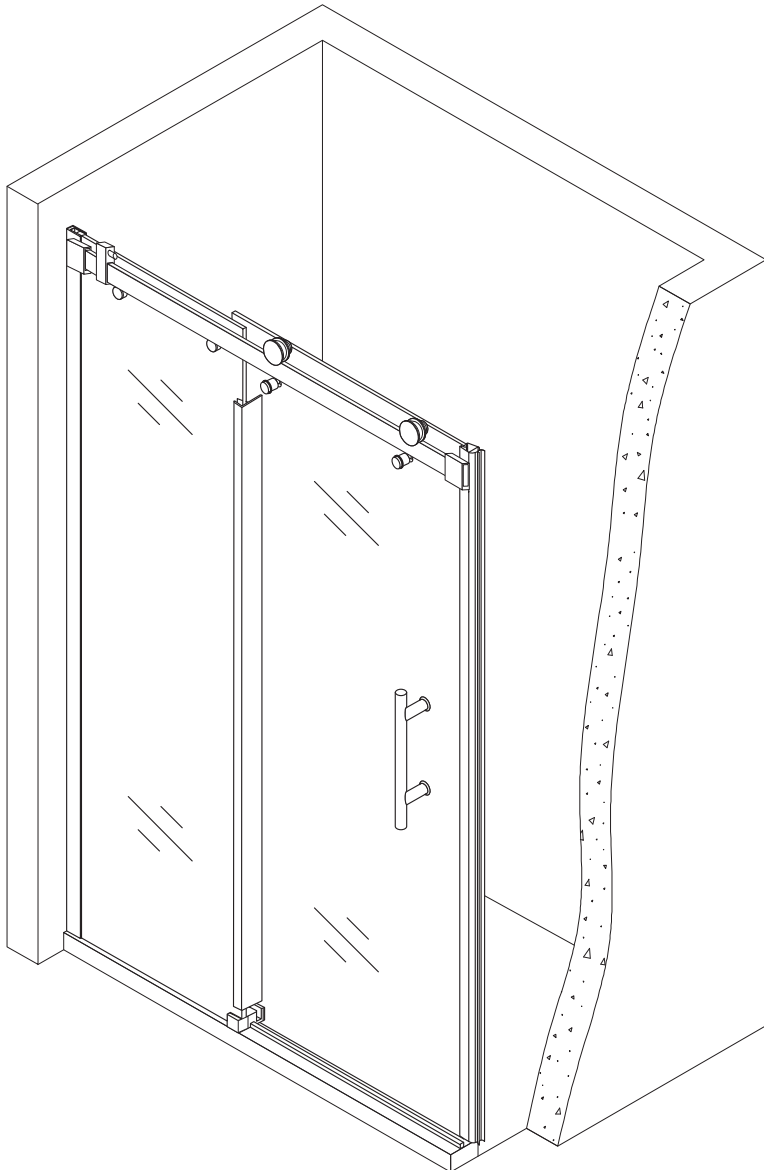


INSTALLATION MANUAL

FOR SHOWER DOOR

INSTALLATION INSTRUCTIONS

Shower Door



SAFETY INFORMATION

CAUTION

Please carefully read the following important safety information before handling or installing this shower door. There is a risk of serious injury while handling this product.

To minimize these risks, please note:

Always wear safety glasses and gloves while handling.

Always follow the installation instructions. Inspect glass for damage before installation.

Extreme caution should be taken while handling the glass during installation as the tempered glass may shatter if in contact with a hard surface.

Do not cut or modify the tempered glass as it will shatter if cut.

Carefully remove product from packaging and keep packaging until installation is complete.

Inspect all parts for damage or missing; If there is damage or part missing to the unit prior to installation, please contact customer service at the number provided in this guide.

Cover the drain with tape to prevent the loss of small parts.

The shower base and finished walls should be installed before beginning the shower door installation.

During the installation, protect the shower floor with a drop cloth to avoid damage. This product should be installed by two people who are familiar with construction requirements. Professional installation is recommended!

Keep this installation manual for future reference.

NOTE: Two people should perform this installation.

NEED TOOLS



Safety Glasses



Silicone Adhesive Sealant



Tape Measure



Rags



Drill Bits



Drill



Screwdriver



Pencil



Hammer



Knife

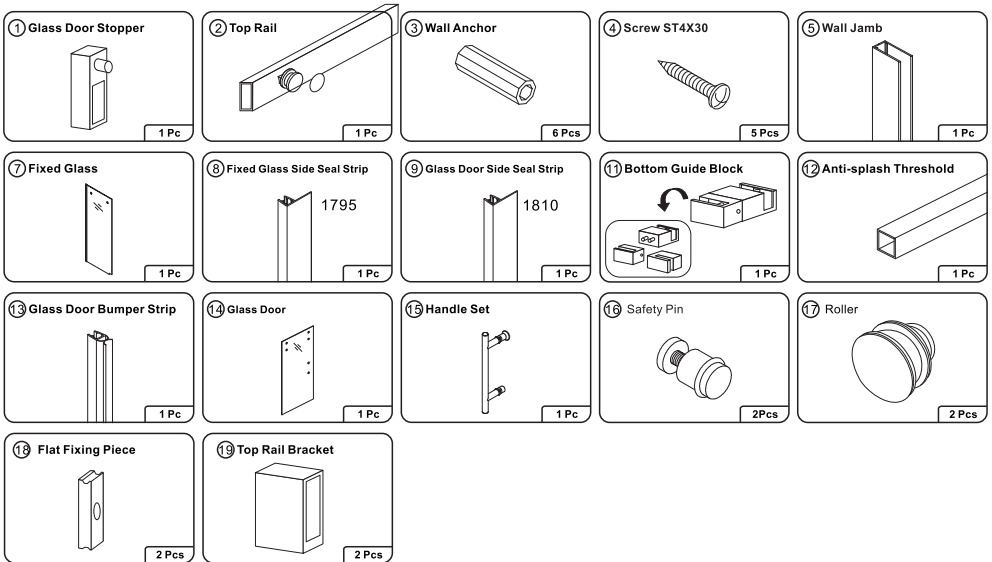
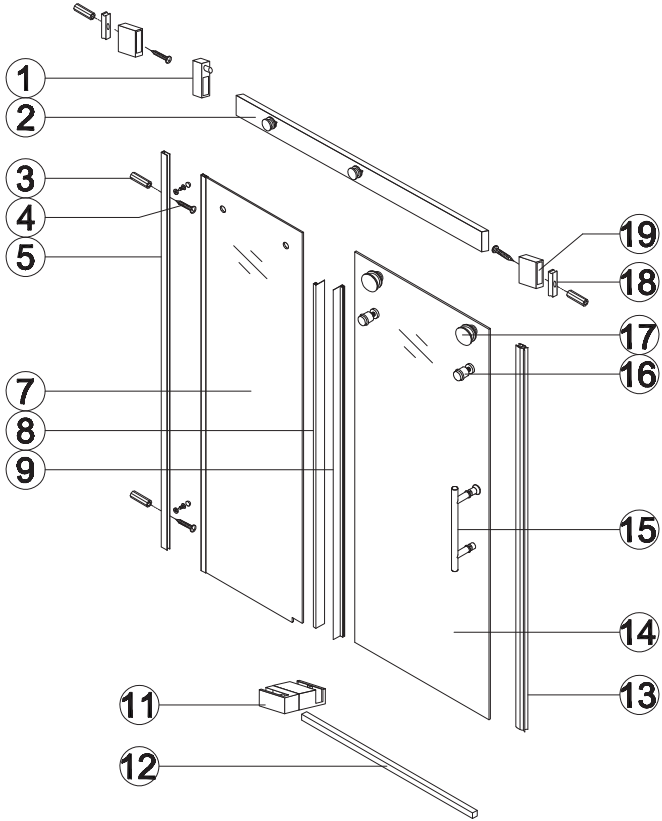


Glove

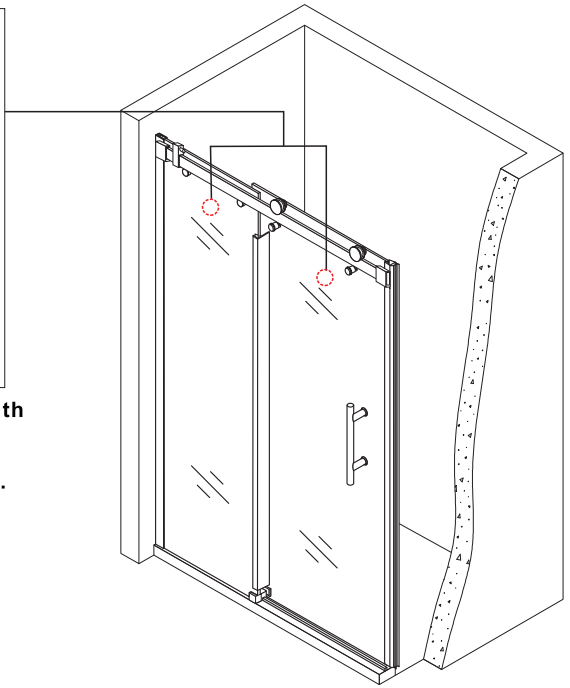
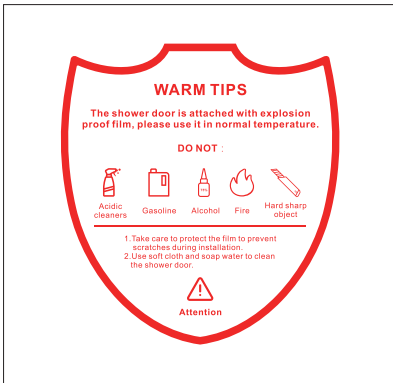


Spirit Level

ESSENTIAL ACCESSORIES LIST



NOTE: Inspect all parts for missing prior to installation! Contact us for any part missing.



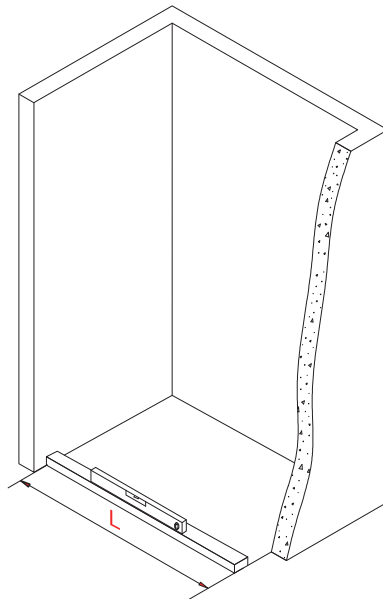
NOTE:Our shower door is affixed with explosion-proof film. Please install the side with the explosion-proof film prompt inside the shower room.

IMPORTANT:

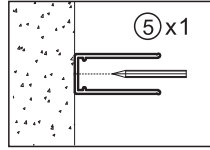
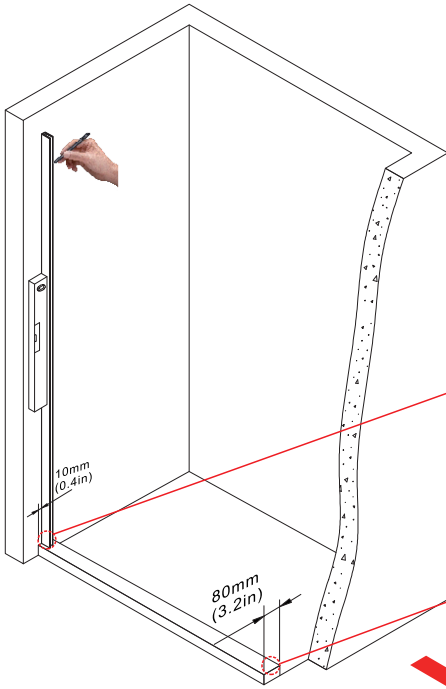
Measure the distance "L" between the two finished walls, and confirm that the distance matches the installation size of the purchased product before starting the installation.

(If the distance "L" is less than 1209mm(47.6in), the top rail can be shortened accordingly .)

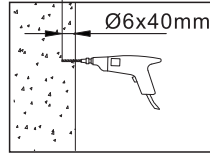
	L
1219 mm	1209-1219 mm
48 in	47.6-48 in



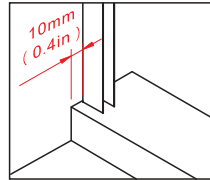
Step1: Install the wall jamb ⑤.



Keep the wall jamb ⑤ stay vertically, and mark the location of all three screw holes with a pencil.

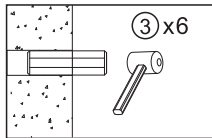
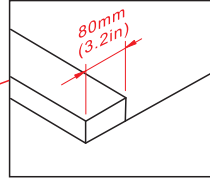


Remove the wall jamb ⑤ and use a power drill with a Ø6x40mm drill bit to drill the hole at each location marked for the wall jamb.

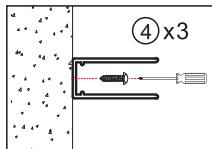


NOTE: This shower door can be installed directly on the ground.

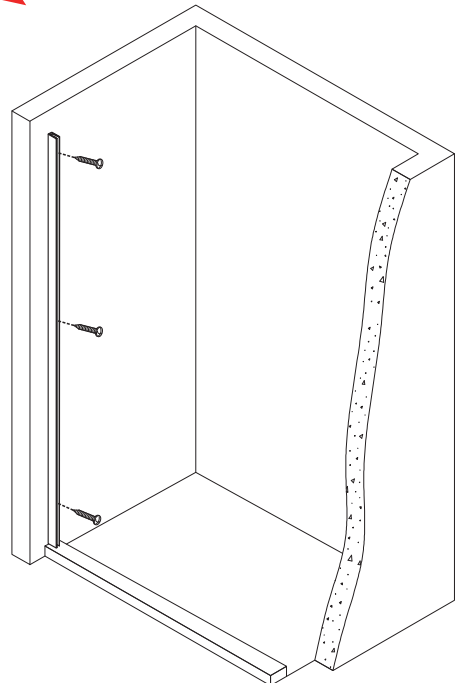
If there is a threshold, 80mm (3.2 in) is the most suitable width, 10mm (0.4 in) on the threshold outside the door needs to be left when installing the wall jamb.



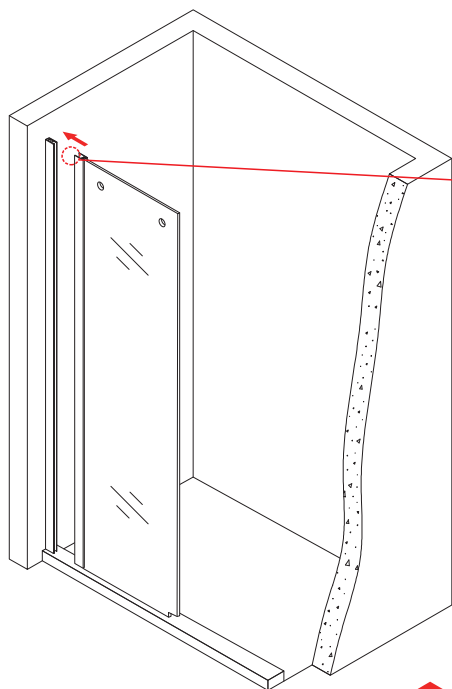
Insert wall anchors ③ in each hole location.



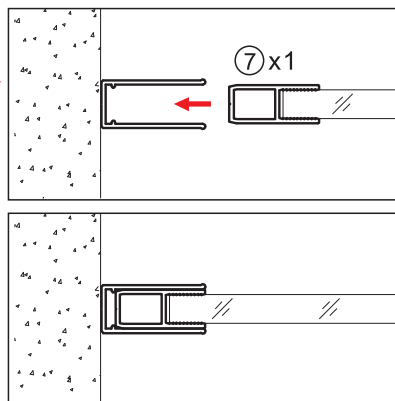
Place the wall jamb ⑤ onto the wall and use a screwdriver to tighten the screw st4x30 ④ into the wall anchors ③ to fix the wall jamb.



Step2: Install the fixed glass ⑦ and bottom guide block ⑪.

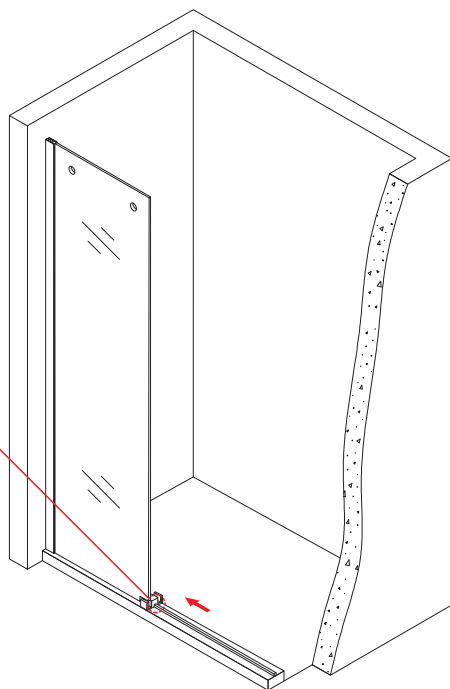
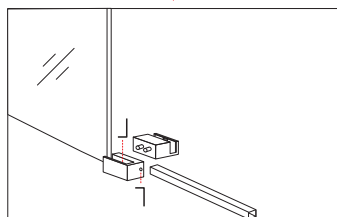
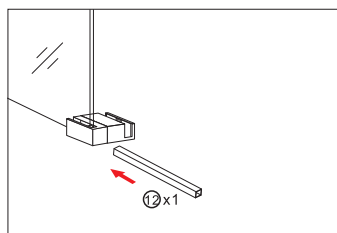


Position the fixed glass ⑦ into the wall jamb ⑤.

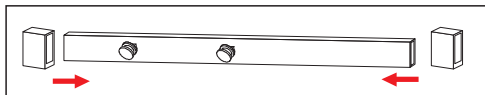
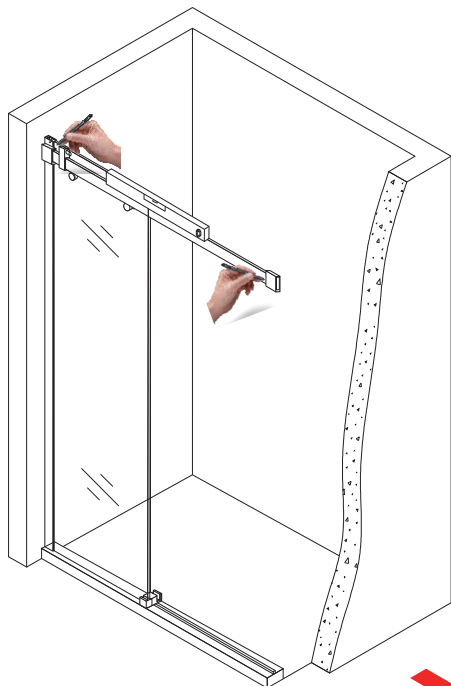


NOTE: The side with warm tips label is facing inward and the corner with opening is facing down.

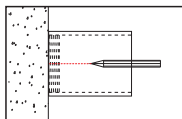
Insert the anti-splash threshold ⑫ to the bottom guide block ⑪ and use the Allen wrench to lock the two bottom guide blocks ⑪ together.



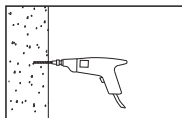
Step3: Install the top rail ②.



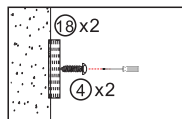
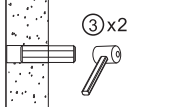
Install the top rail bracket ⑱ to the top rail ②, then lock it to the fixed glass ⑦. Ensure the top rail is level, mark the position of the top rail bracket with a pencil.



Unscrew the top rail ② off the fixed glass ⑦ and disassemble the top rail bracket ⑱ from the top rail to mark the screw hole location.

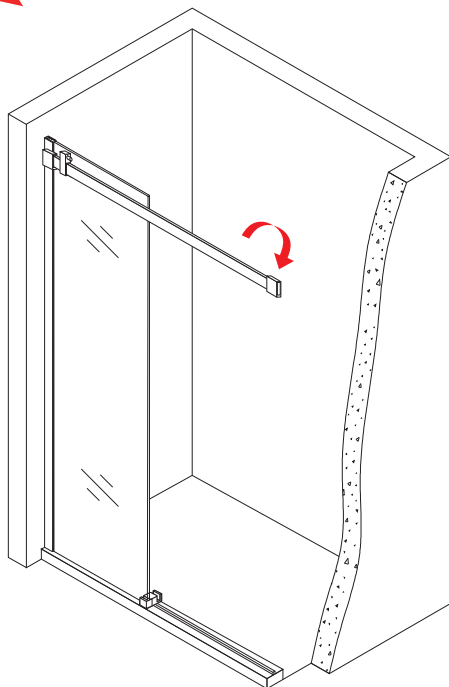
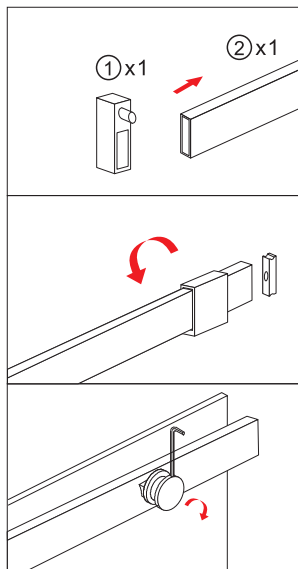


Use a power drill with a $\varnothing 6 \times 40$ mm drill bit to drill the hole, and then use a soft-headed hammer to knock the wall anchor ③ into the hole.

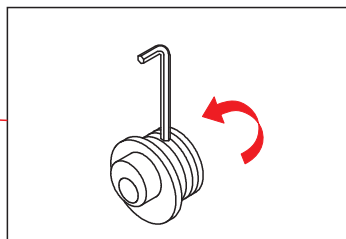
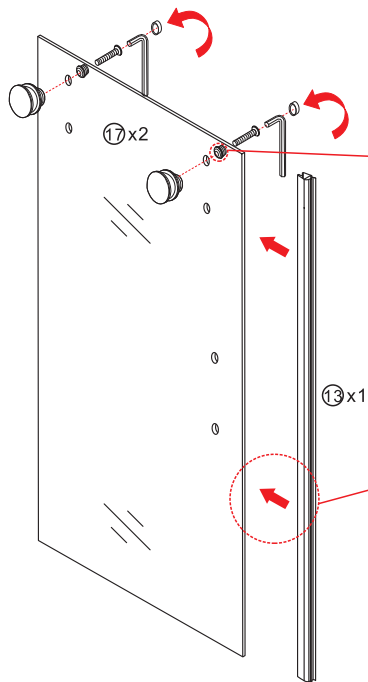


Place the flat fixing piece ⑱ in the hole, and tighten the screw ST4X30 ④ to fix the flat fixing piece.

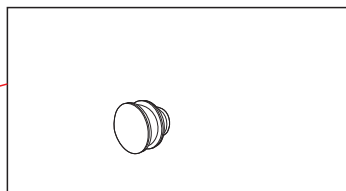
Use Allen wrench to install the top rail bracket ⑱ and the glass door stopper ① to the top rail ②, lock the top rail bracket in the direction shown and then lock the whole top rail to the fixed glass ⑦.



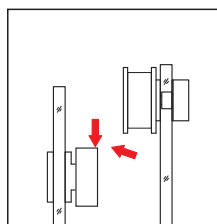
Step4: Install the door glass ⑭.



Disassemble the roller ⑰ and install them to the door glass ⑭.

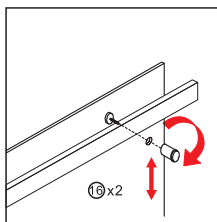


Attach the glass door bumper strip ⑬ into the door glass ⑭.



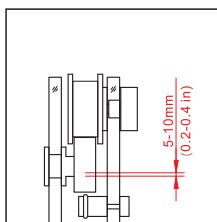
Hang the door glass ⑭ and the roller ⑰ assemblies onto the top rail ② from inside of enclosure.

NOTE: The rollers is adjustable to raise or lower the door glass.

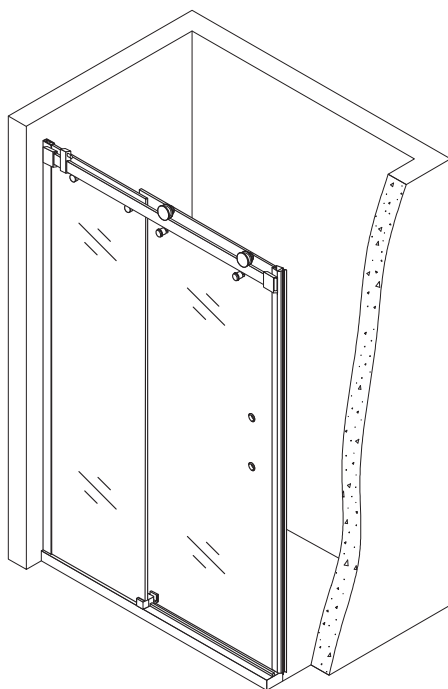


Disassemble the safety pin ⑯ and install them to the sliding door glass ⑭.

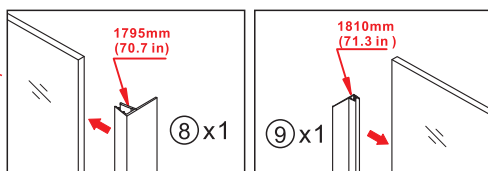
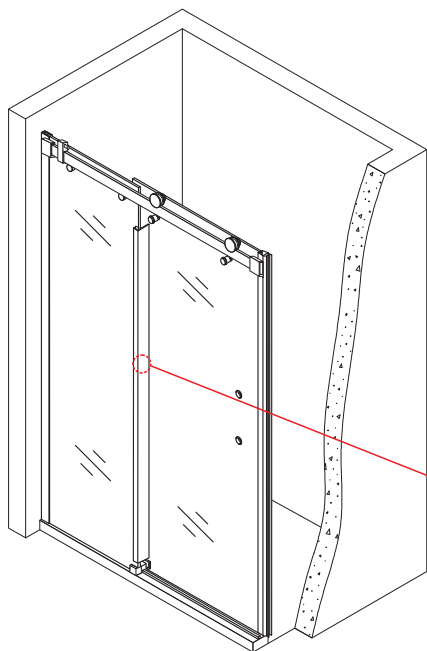
NOTE: The safety pins is rotatable to fit the top rail better.



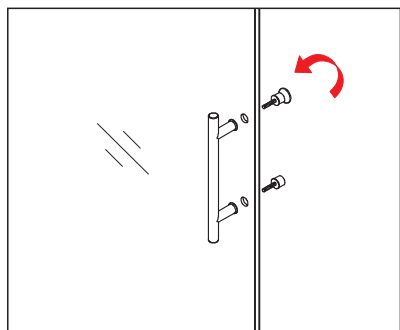
A gap of 5-10 mm (0.2-0.4 in) between the safety pin and the top rail is recommended.



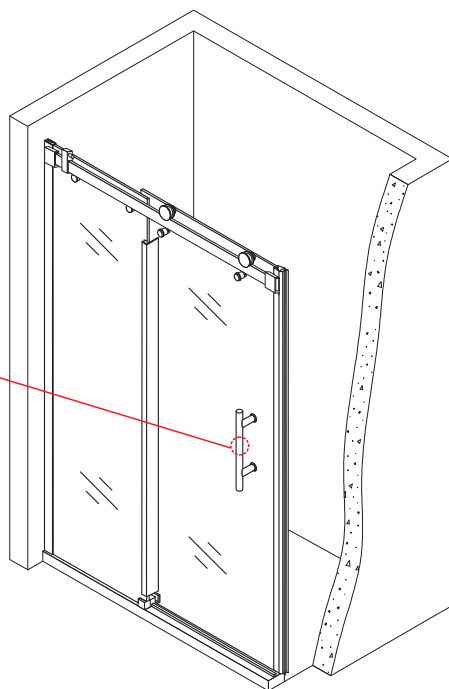
Step5: Tighten the fixed glass ⑦ and install the rest parts.



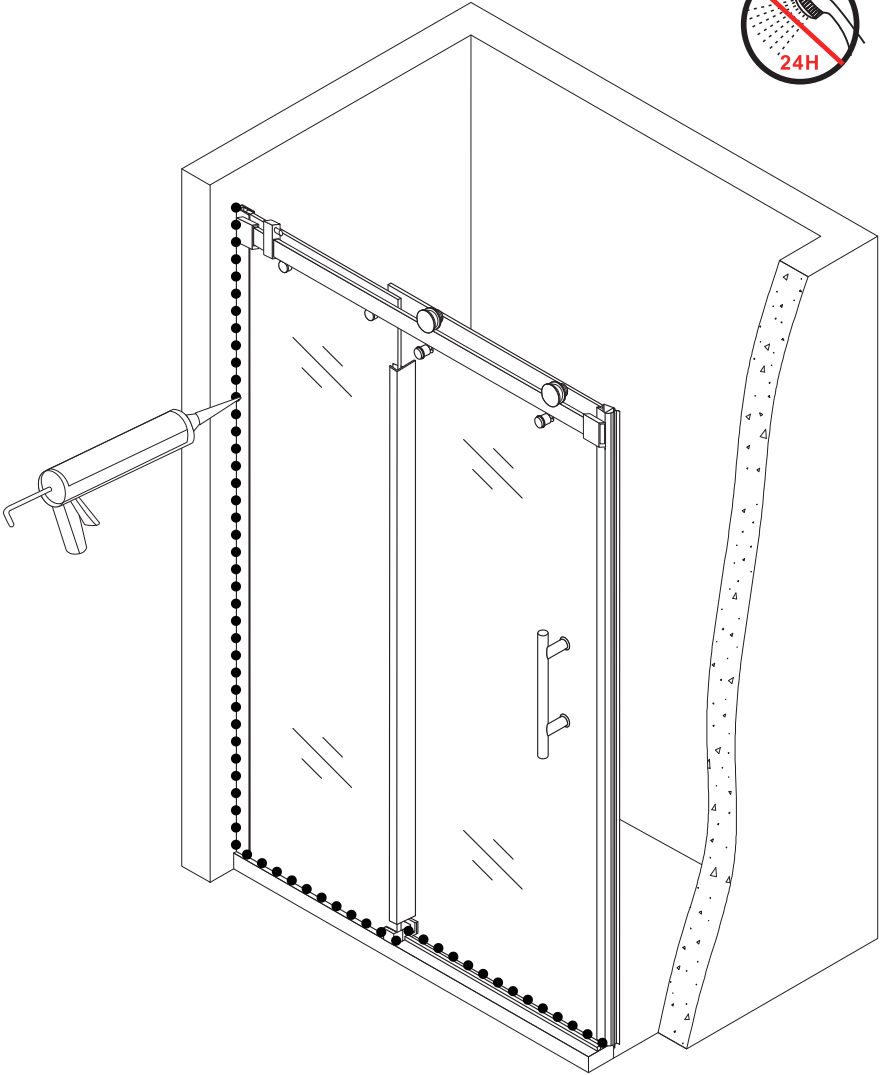
Attach the fixed glass side seal strip ⑧ to the fixed glass ⑦ and the glass door side seal strip ⑨ to the glass door ⑭.



Unscrew the handle set ⑮ and then install it to the hole on the glass door ⑭.



Step6:Apply the silicone sealant.
Apply the silicone sealant along the wall jamb outside the shower, and apply along the threshold/the ground outside the shower.



NOTE: Do not use your shower enclosure within 24 hours of assembly.

SHOWER DOOR MAINTENANCE MANUAL

Cleaning:

1. When cleaning the frame, glass and hardware accessories of the shower door, please use a soft cloth. If there is slight dirt, please use a soft cloth or sponge dipped in "neutral detergent" for cleaning. After removing the stubborn dirt, please rinse with plenty of water to prevent the cleaning agent from remaining on the surface of the shower door and causing corrosion damage.
2. When using the special detergent and cleaning agent for bathroom, please be sure to use it correctly according to the precautions described in the detergent. Incorrect use will cause the product to have some bad conditions, such as paint peeling, color fading, rust, tarnishing, etc.
3. Do not use the following items for cleaning: acid, alkaline solvents, medicines (such as hydrochloric acid), solvents containing bleach, acetone diluent, detergent powder, toilet cleaner, etc, otherwise the product will be damaged. There are some bad conditions, such as paint peeling, discoloration, rust, tarnishing, etc.
4. The cleaning items that can be used for the product are: soft cloth, toothbrush, neutral detergent, a mixture of diluted vinegar and salt. Note: any cleaning agent will have a certain impact on the surface of the product, so use caution. Rinse with clean water in time to prevent damage to the surface caused by the residual detergent.

How to use and maintain the pulley of the shower door:

1. Avoid hitting the movable door with force, so as not to cause the movable door to fall off.
2. Pay attention to regularly clean the slide rails, pulleys and sliders, and add lubricant (lubricating oil or lubricating wax).
3. Regularly adjust the fixing screws of the pulley to ensure the effective bearing and good sliding of the pulley on the movable door.

Maintenance of tempered glass:

1. Do not hit or hit the glass surface with sharp objects to avoid damage.
2. Do not wipe the glass surface with rough objects to avoid scratches.
3. After using for a period of time, the glass will remain dirt, remove the dirt on the glass. you can use a mixture of cool and salt to wash with a toothbrush, you can remove the stains. Pay attention to rinse with clean water in time after use.

THANK YOU FOR SHOPPING WITH US!



Email: servicefast1@outlook.com

**PLEASE DO NOT RETURN TO STORE!
PLEASE CHECK ALL THE ACCESSORIES
BEFORE INSTALLATION.**

Tips: If there is any questions for the products, please feel free to contact us. We will solve it at the first time.

For quick and better to solve problem for you, Required information is a MUST:

1. Where you buy
2. PO Number/Tracking number
3. SKU Number
4. Problem to Clarify
5. Picture/Video