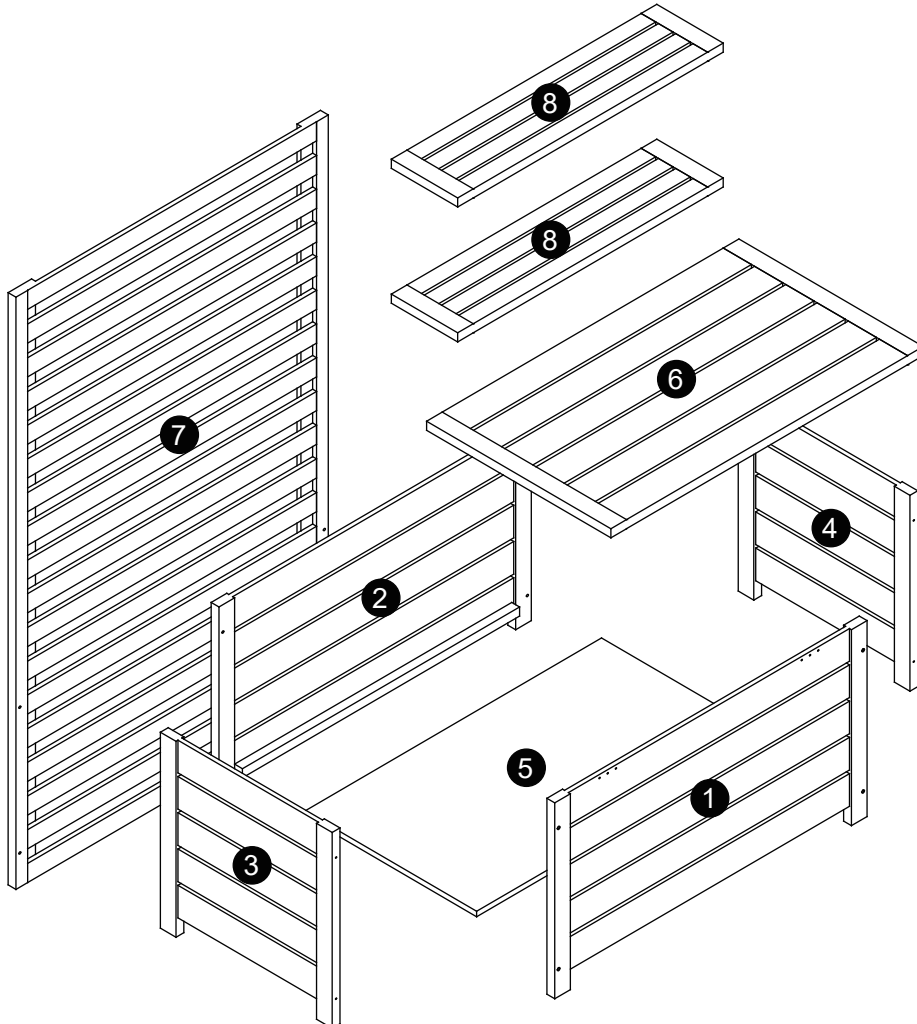
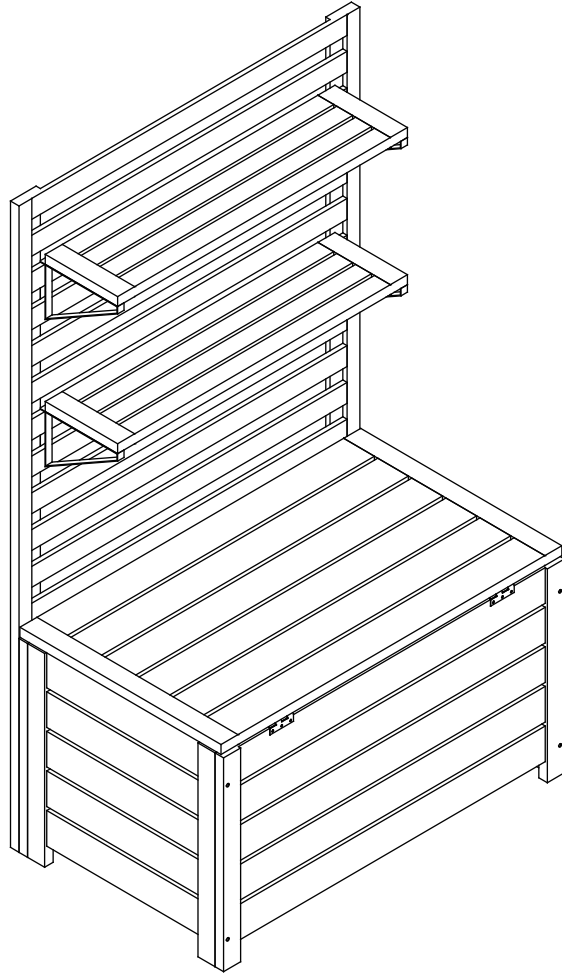
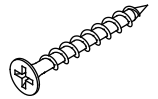


ASSEMBLY INSTRUCTION



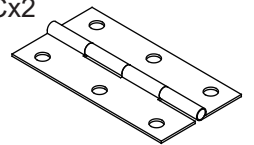
Ax8



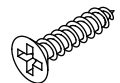
Bx12



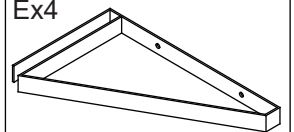
Cx2



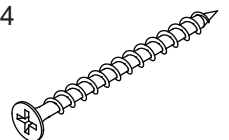
Dx8



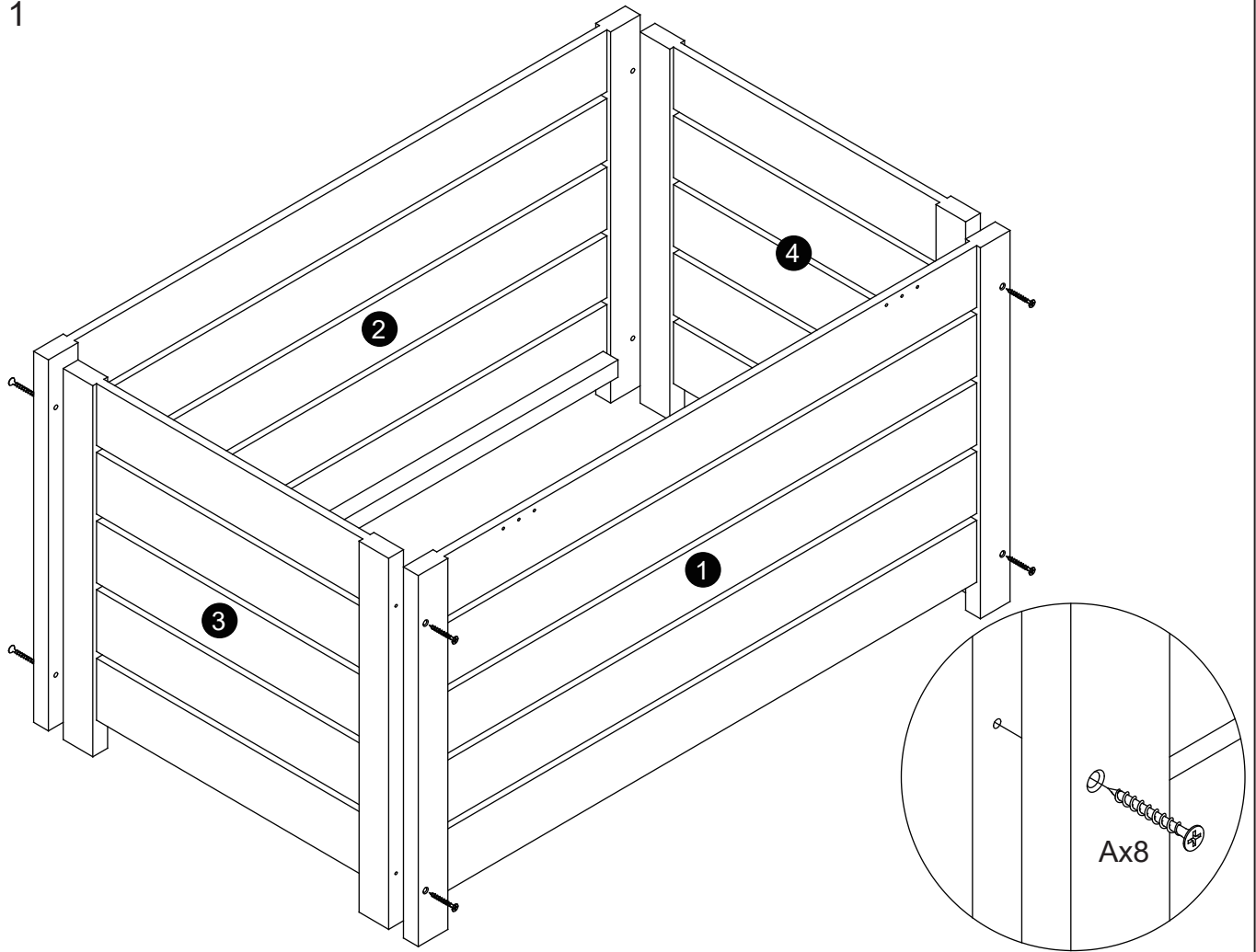
Ex4



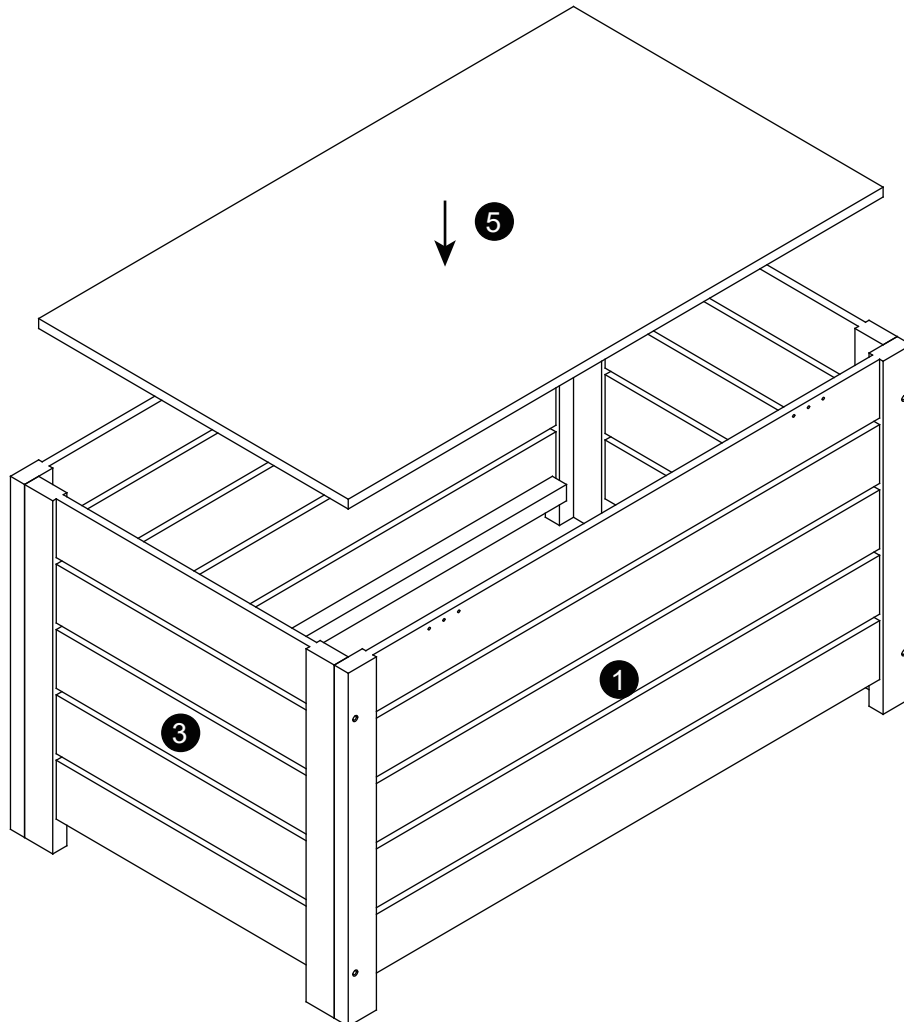
Fx4



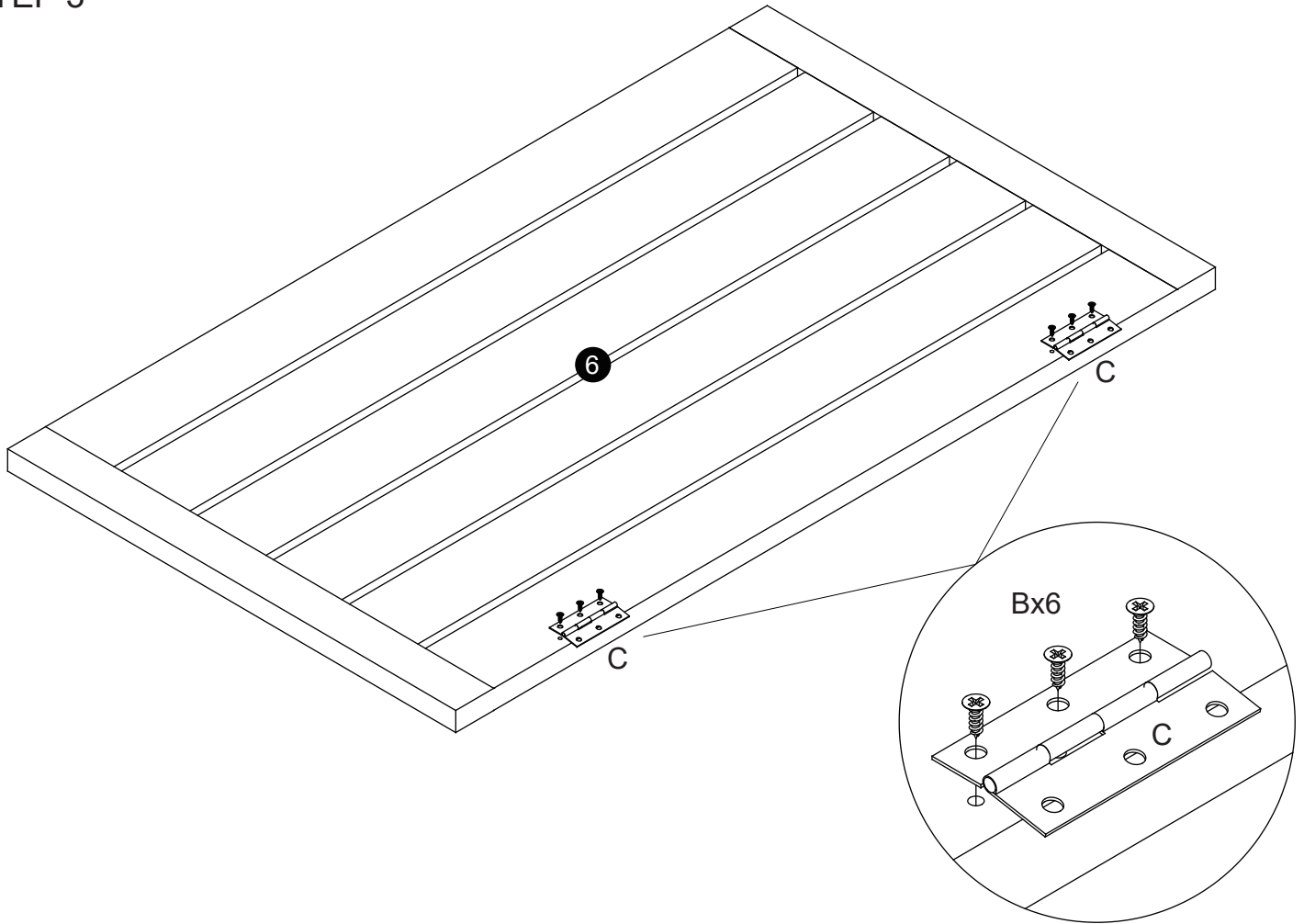
STEP 1



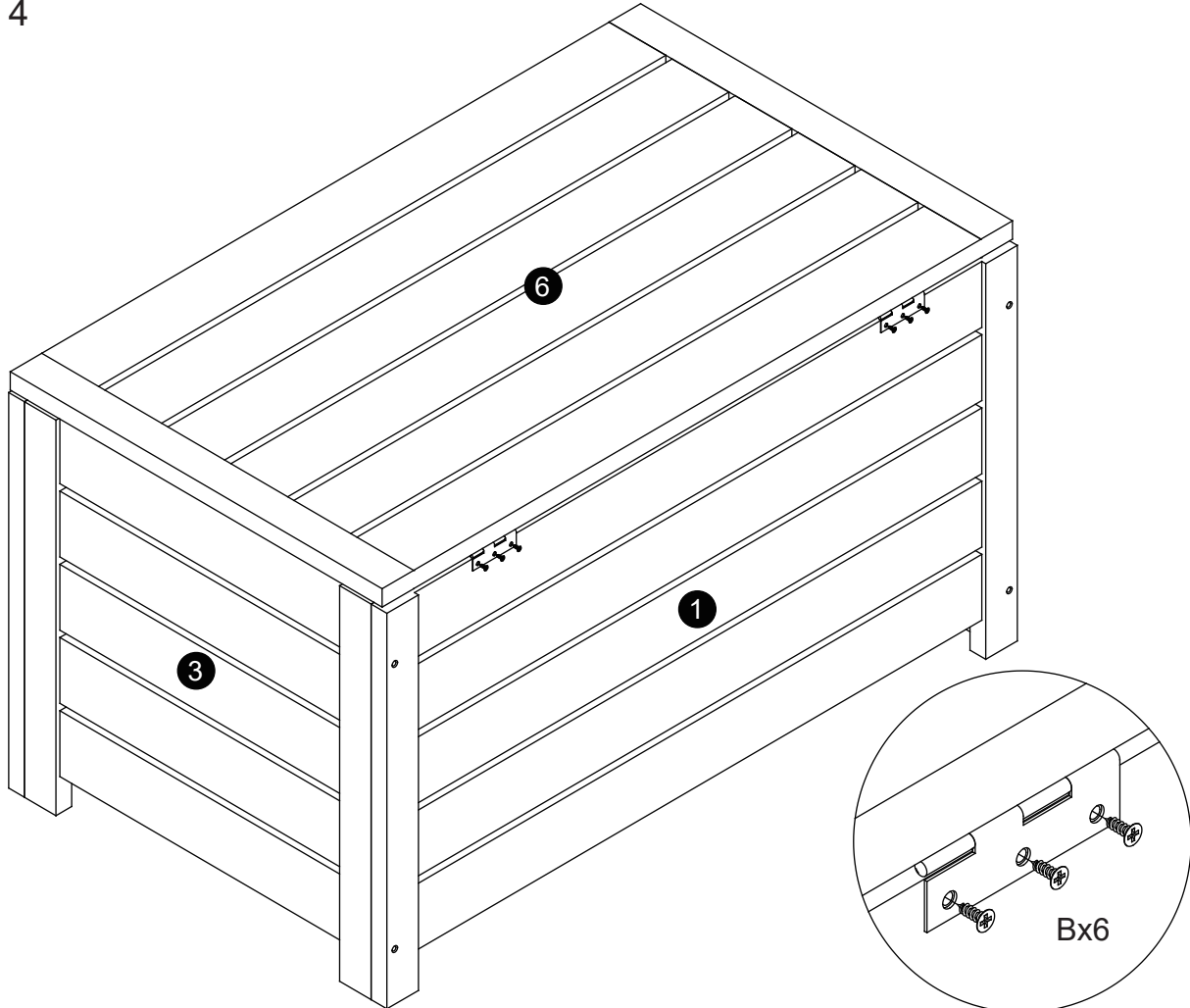
STEP 2



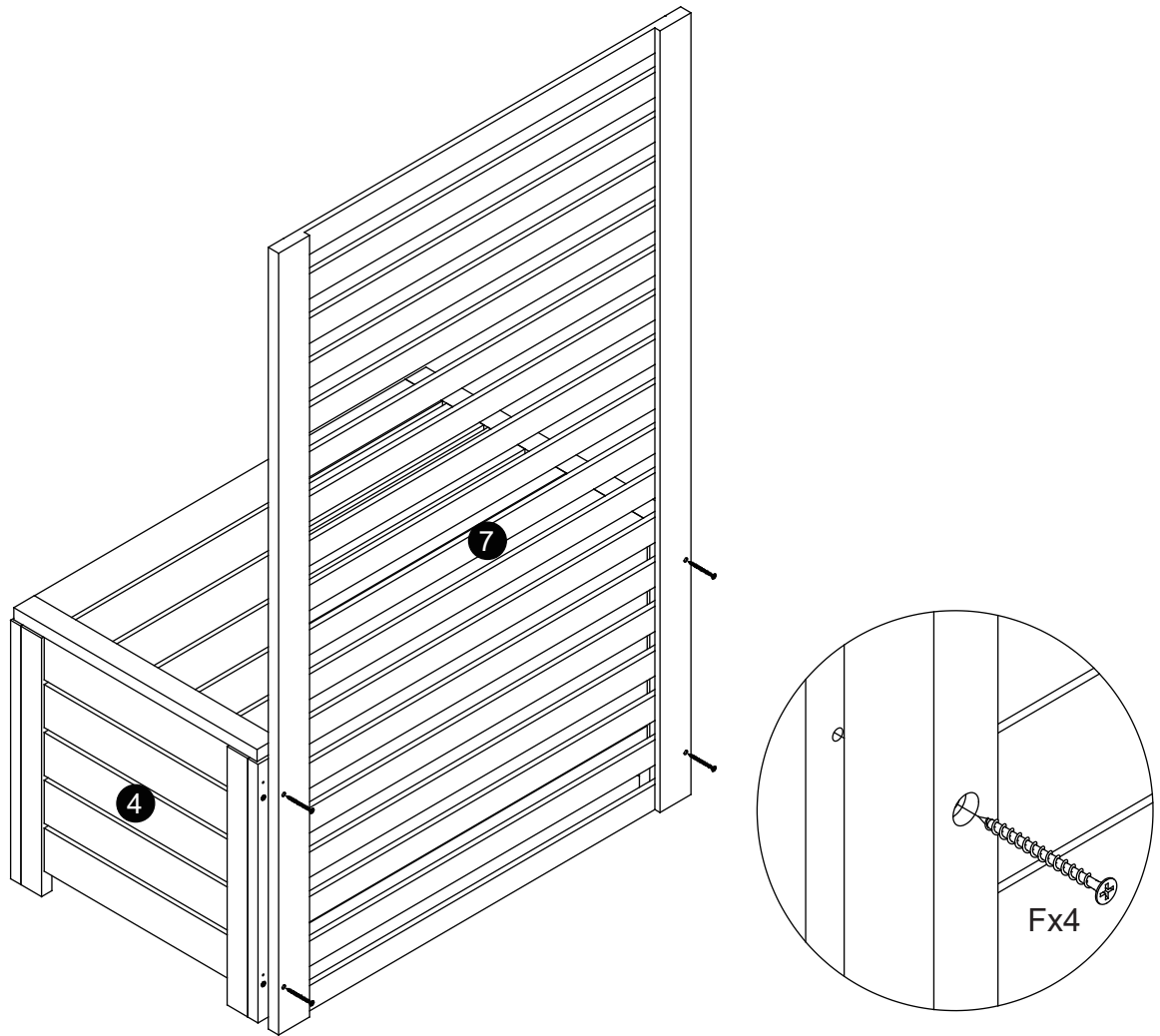
STEP 3



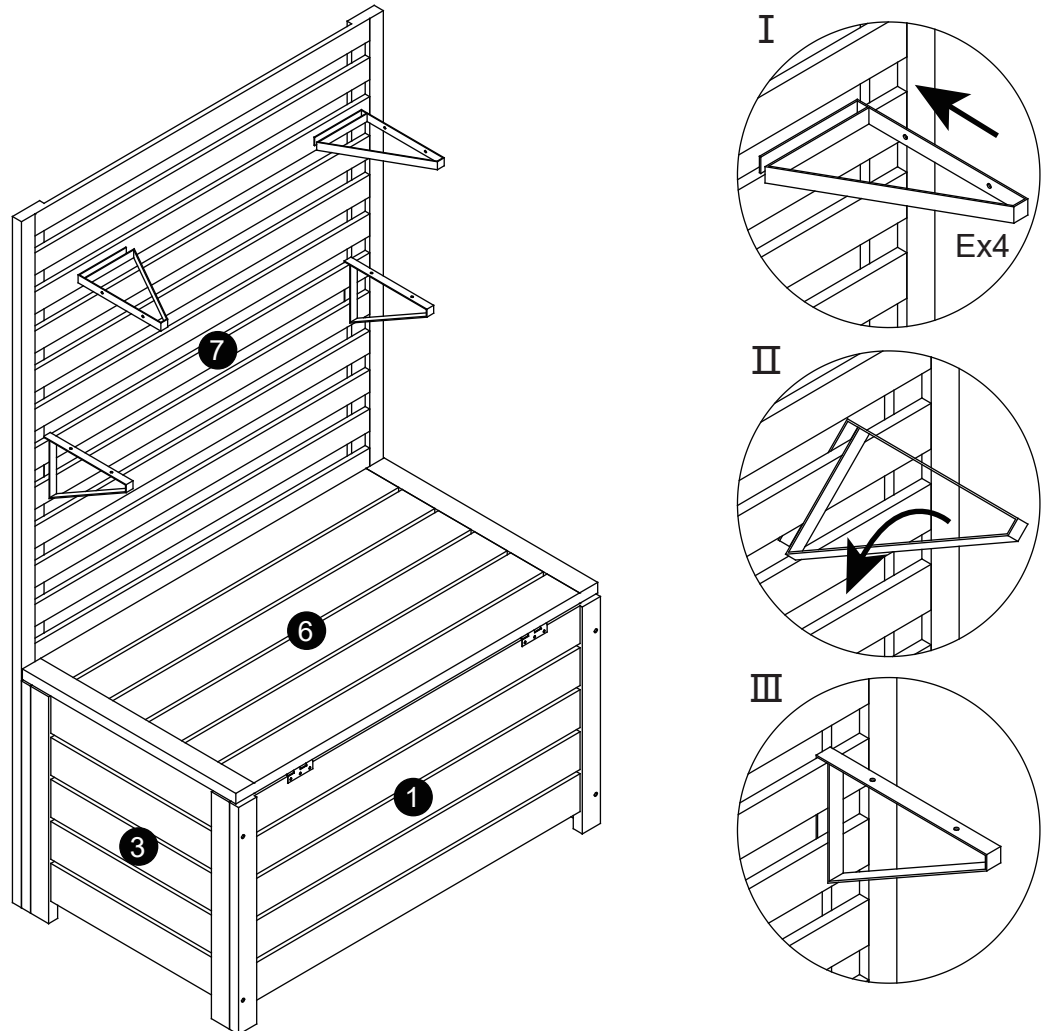
STEP 4



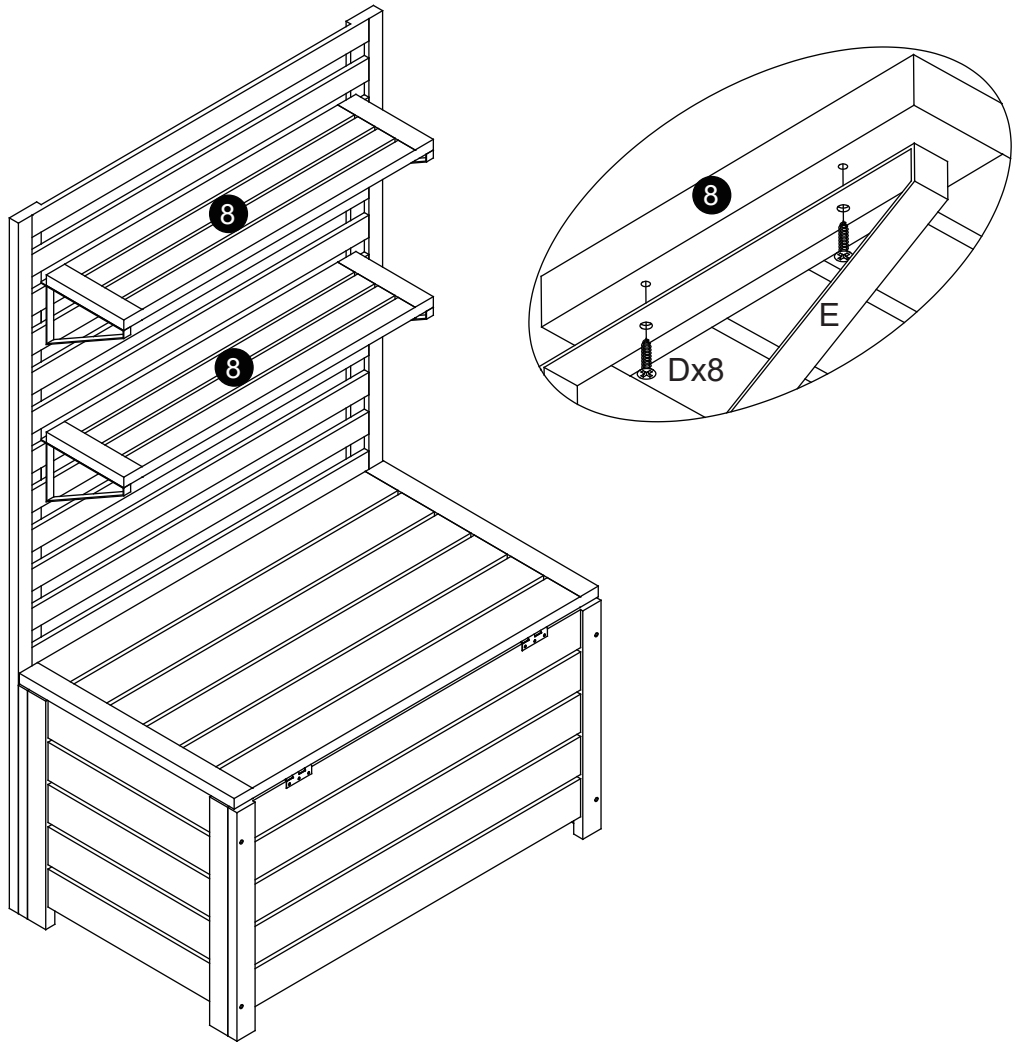
STEP 5



STEP 6



STEP 7



STEP 8

