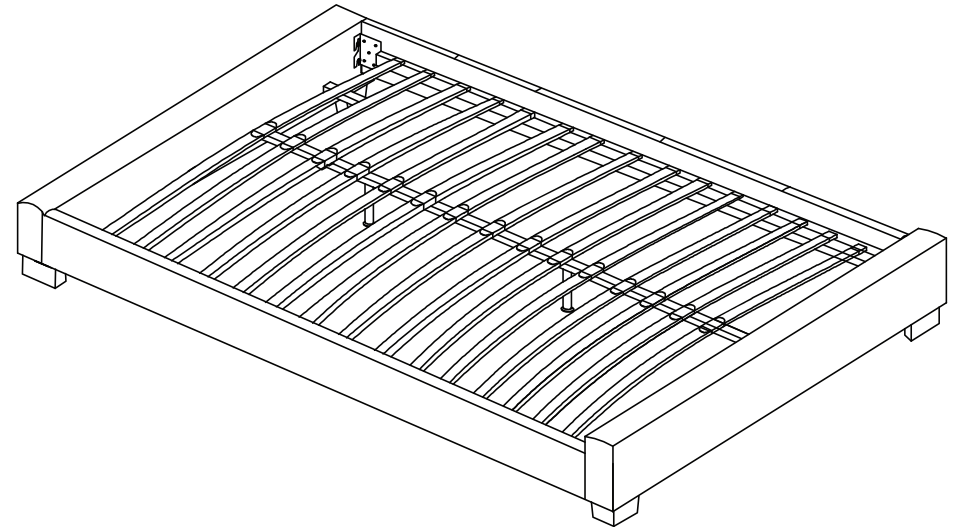


# B E D

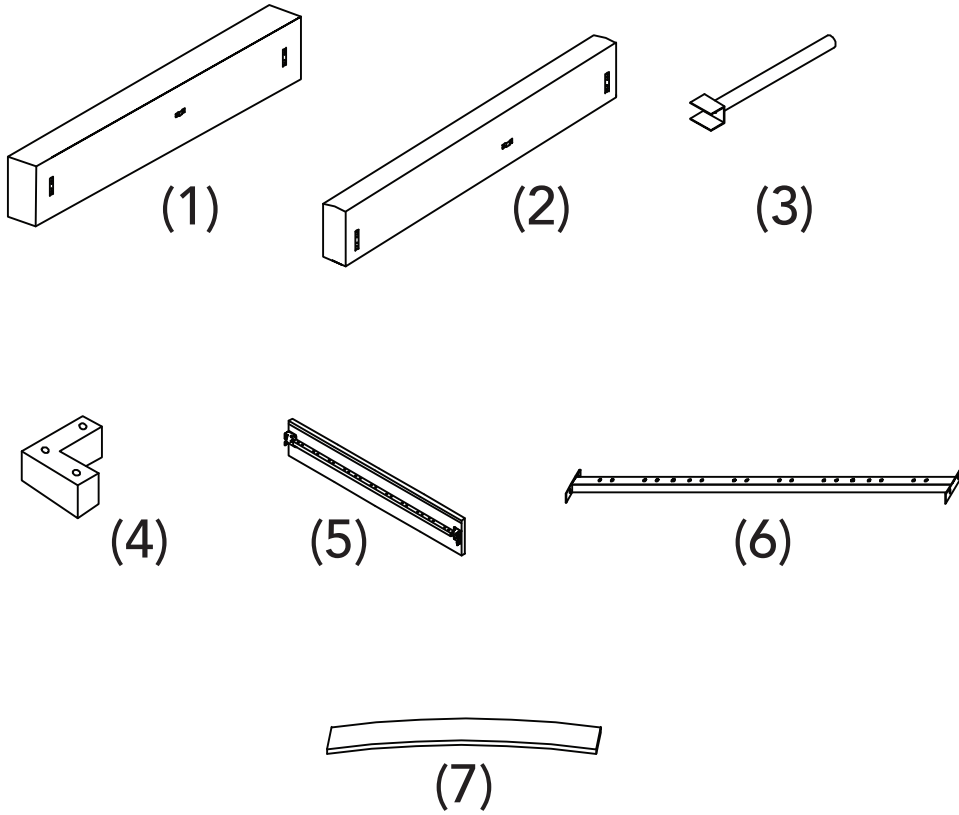
---



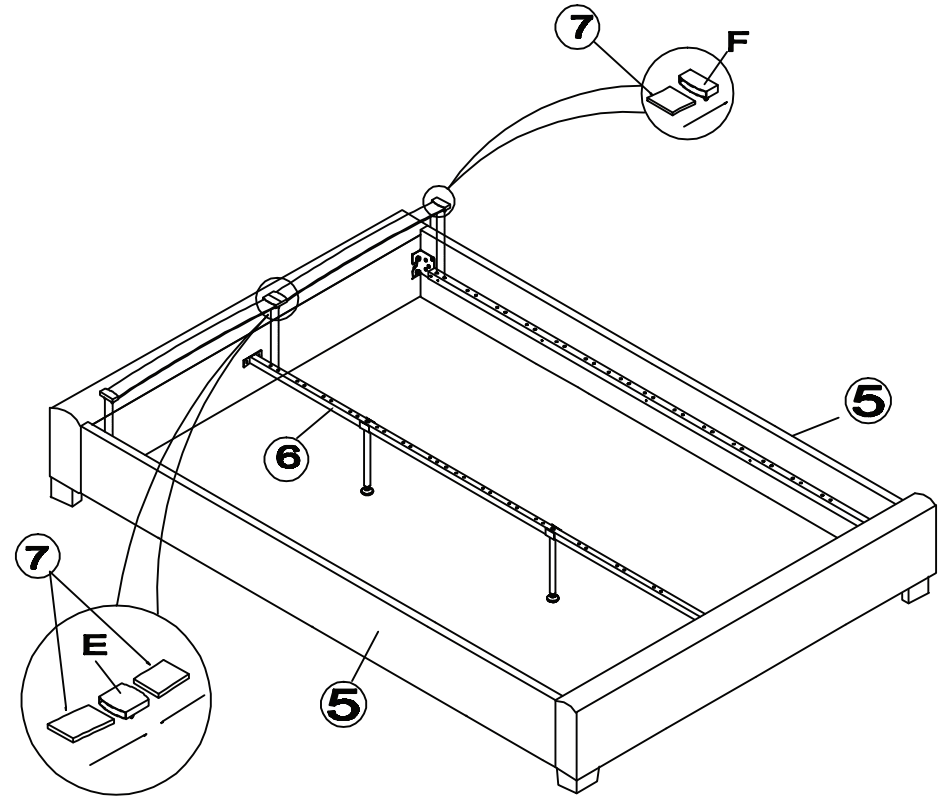
**ADULT ASSEMBLY REQUIRED**

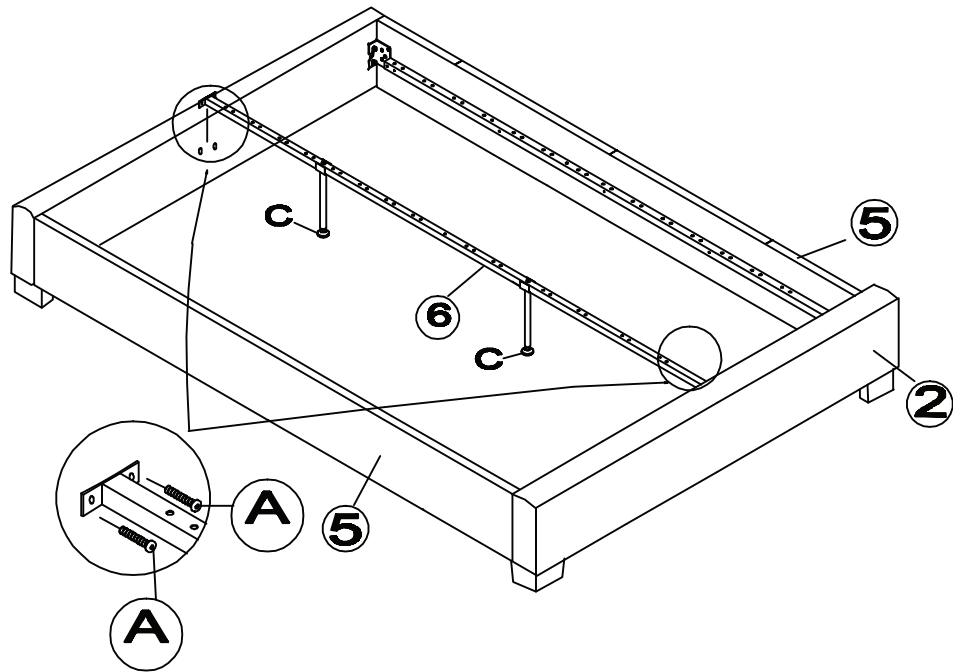
# PARTS

6

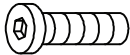
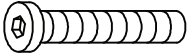






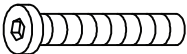



1	HEADBOARD	1 PC
2	FOOTBOARD	1 PC
3	CENTRE SUPPORT LEG	2 PCS
4	FEET	4 PCS
5	SIDE RAIL	2 PCS
6	CENTRE RAIL	1 PC
7	WOODEN SLAT	26 PCS



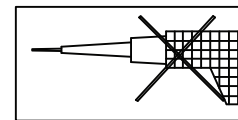


## HARDWARE

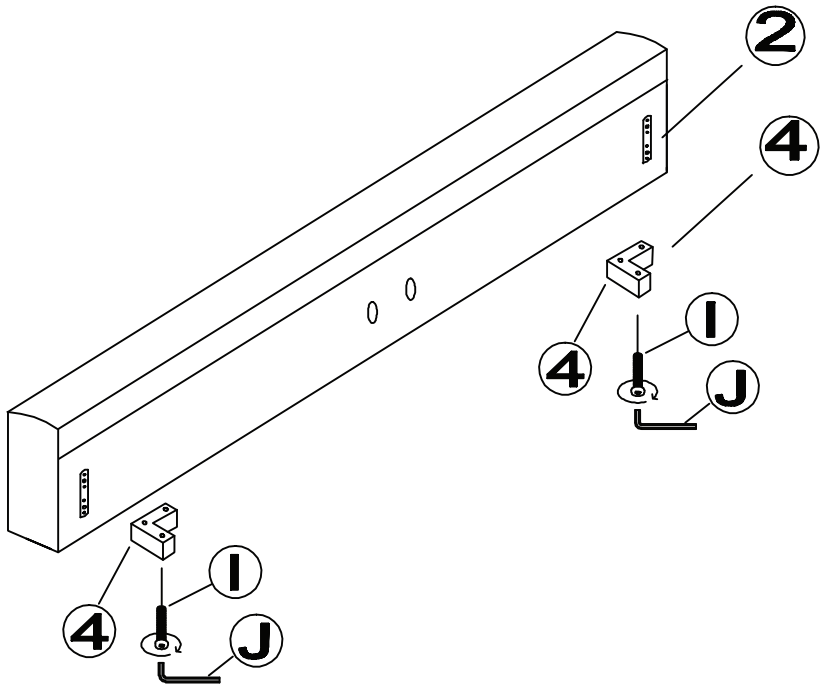
A		Ø5/16" X 30mm BOLT	12 PCS
B		Ø5/16" X 50mm BOLT	2 PCS
C		Ø5/16" X 25mm PLASTIC FOOT ADJUSTER	2 PCS
D		5mm ALLEN KEY	1 PC
E		CENTRE PLASTIC CONNECTOR	13 PCS
F		END CAP	26 PCS
G		Ø1/4" X 16mm WASHER	14 PCS
H		Ø1/4" SPRING WASHER	14 PCS
I		Ø1/4" X 50mm BOLT	8 PCS
J		4mm ALLEN KEY	1 PC

PLEASE CHECK THAT YOU HAVE ALL THE PARTS LISTED BEFORE YOU START ASSEMBLING. IF YOU DO FIND THAT SOMETHING IS MISSING, DO NOT CONTINUE ASSEMBLY. PLEASE CONTACT YOUR SUPPLIER IMMEDIATELY.

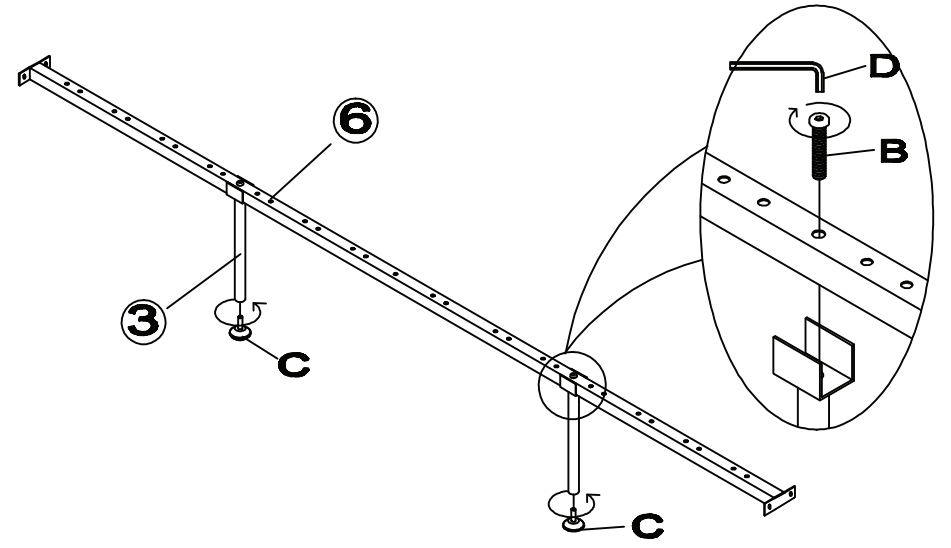
USE OF POWER TOOLS TO ASSEMBLE THIS PRODUCT WILL INVALIDATE ANY CLAIM AND MAY DAMAGE THIS PRODUCT MAKING IT UNSAFE.



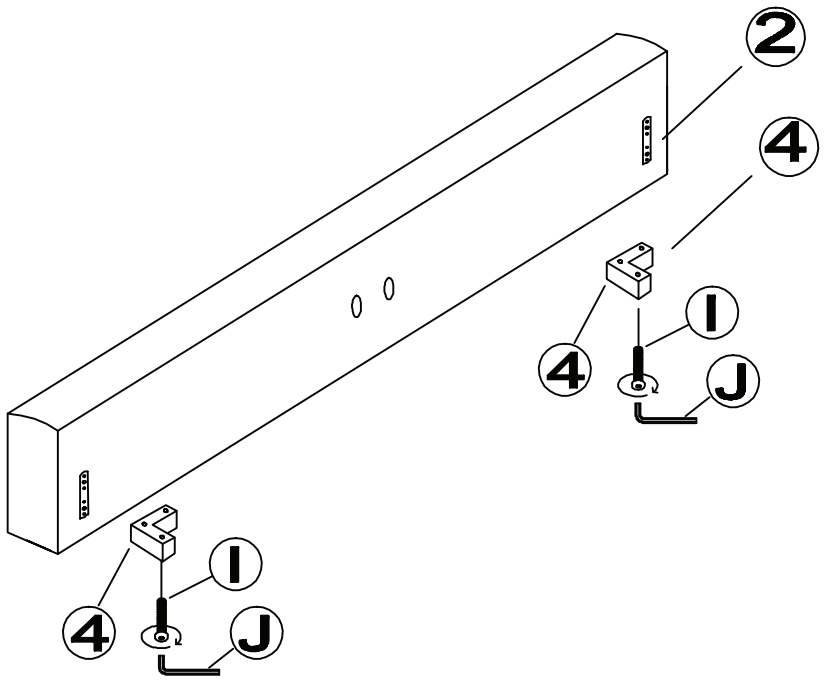
1



3



2



4

