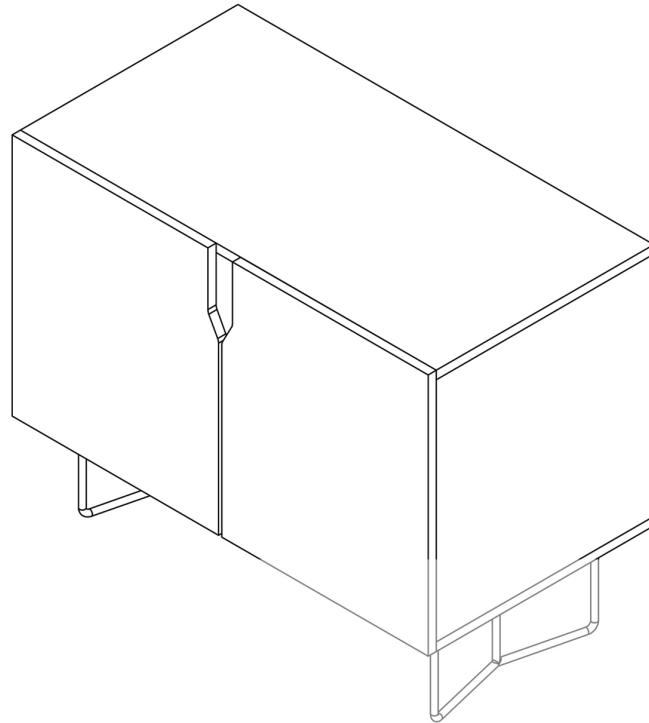
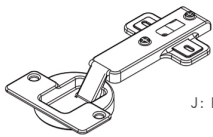


## ASSEMBLY INSTRUCTIONS / THE CREDENZA

MADE FROM SCRATCH IN DENVER, CO



### WHAT'S INCLUDED:



J: HINGE  
x4



K: WOOD DOWELS  
x28



L: LONG SCREWS  
x8



M: SHORT SCREWS  
x16



N: SHELF PEGS  
x4

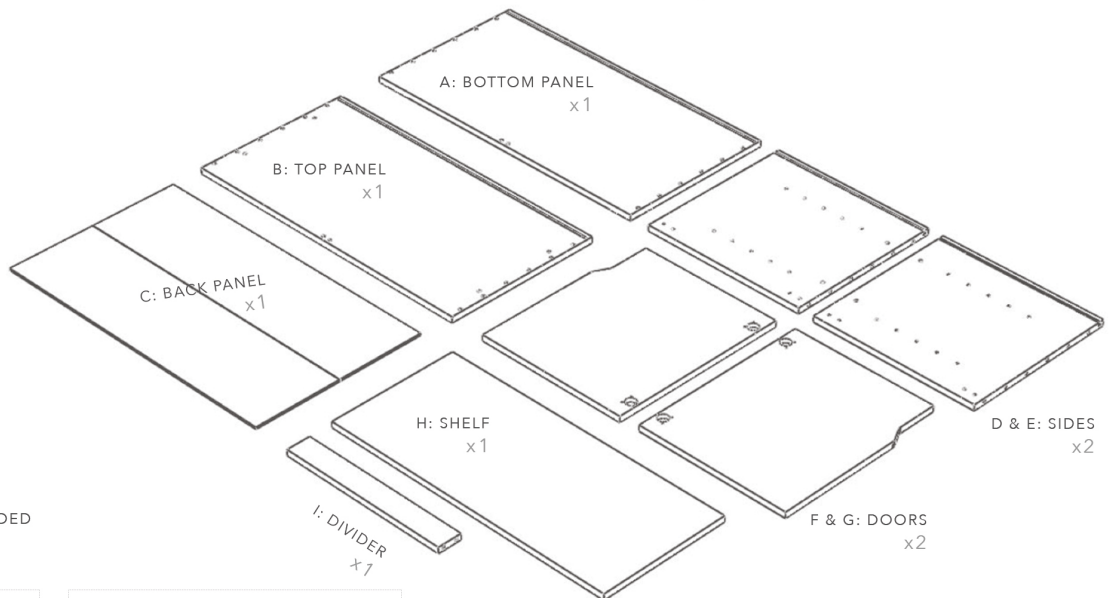


O: L BRACKETS  
x4

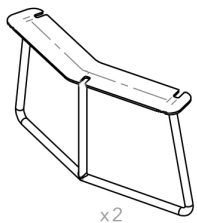


M: SHORT BLACK SCREWS  
x8

\*NOTE: EXTRAS MAY BE INCLUDED



#### LEG:



x2

x6

x4

x1

#### TAPERED LEG:



x4



x4



x16



DO NOT USE AN  
ELECTRIC  
SCREWDRIVER

### YOU WILL NEED:



PHILLIPS HEAD  
SCREWDRIVER



YOU AND ANOTHER HELPER

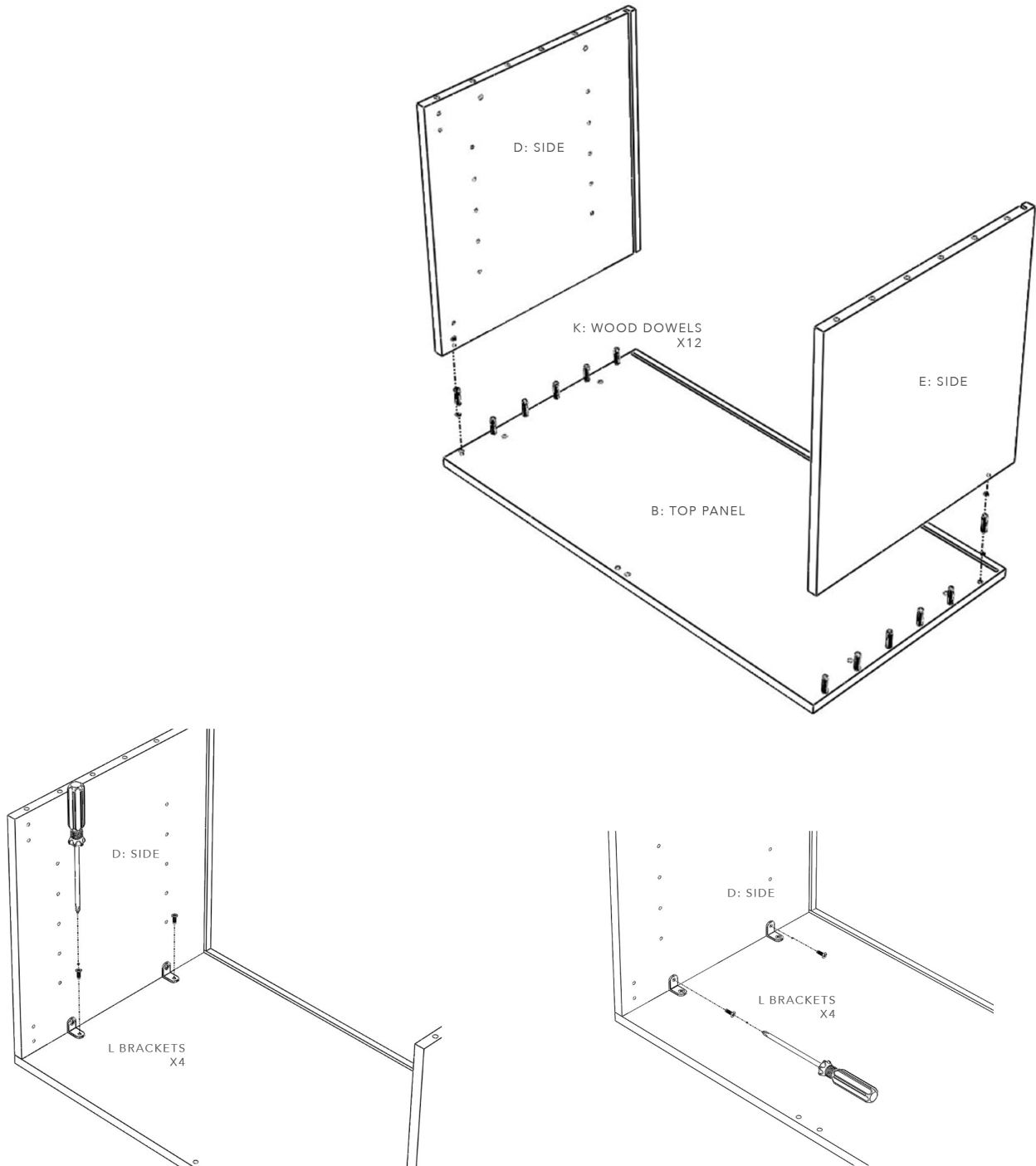


**1-800-973-6091**

MON-FRI 9:30AM-4:30PM MST

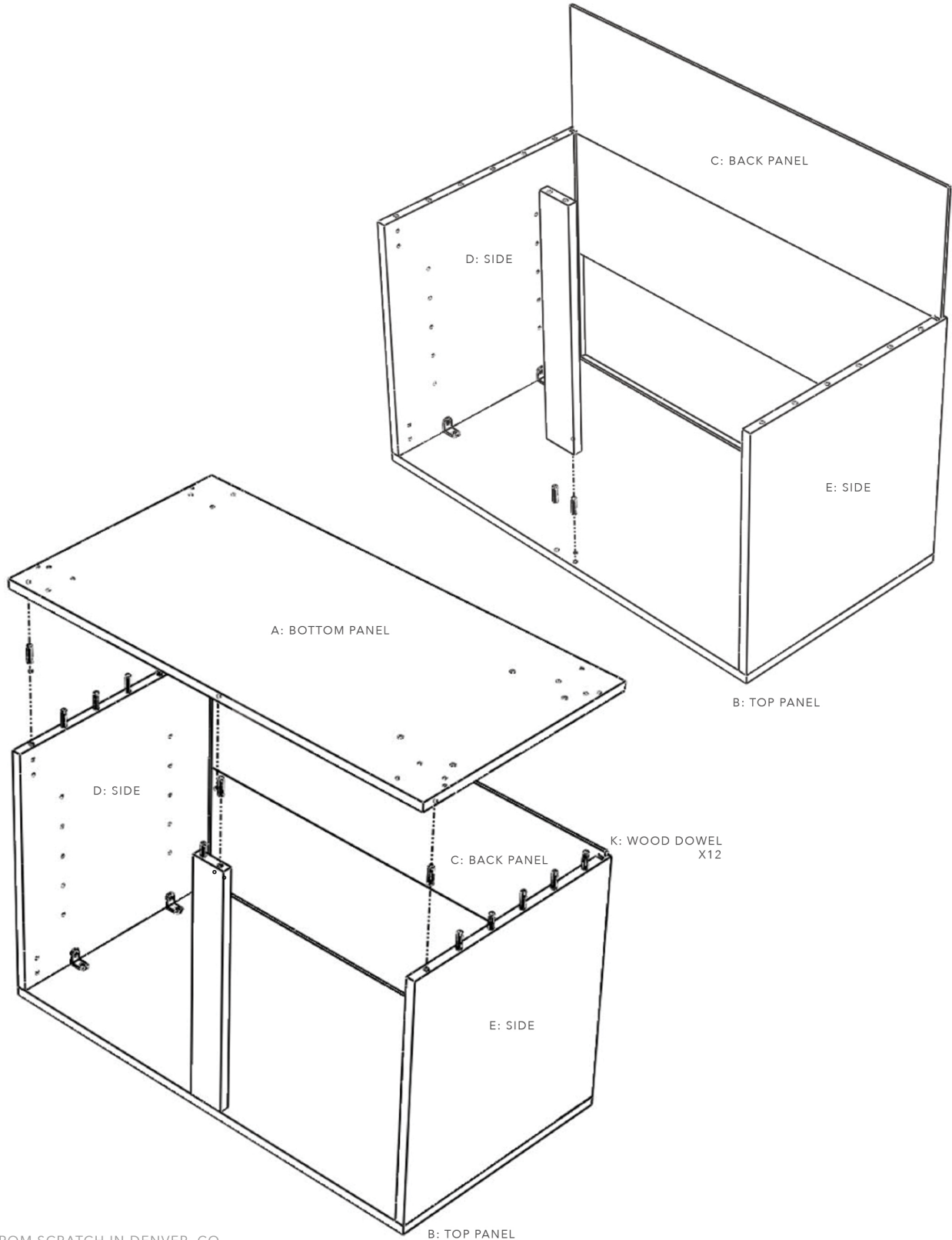
[SUPPORT@DENYDESIGNS.COM](mailto:SUPPORT@DENYDESIGNS.COM)

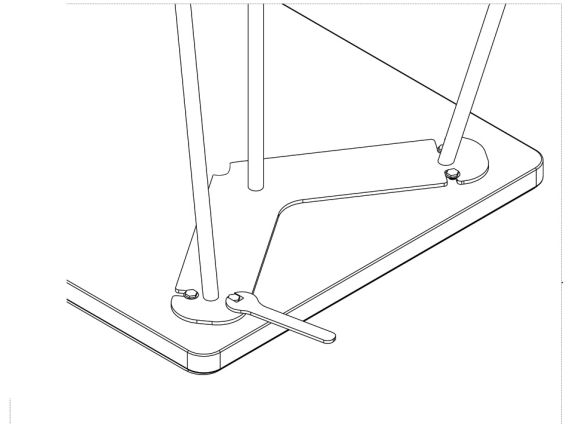
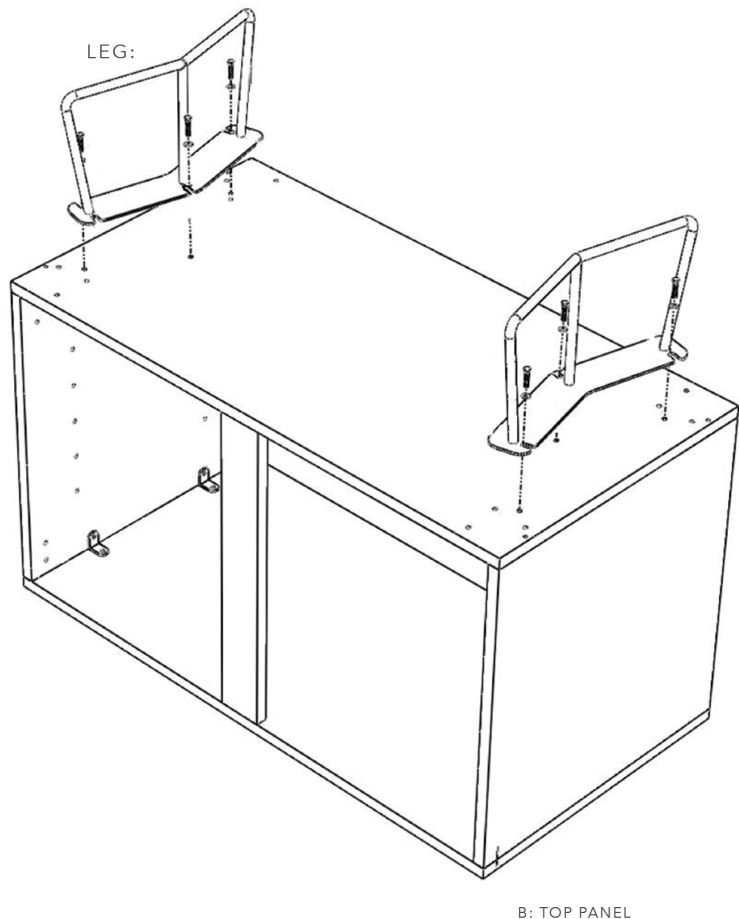
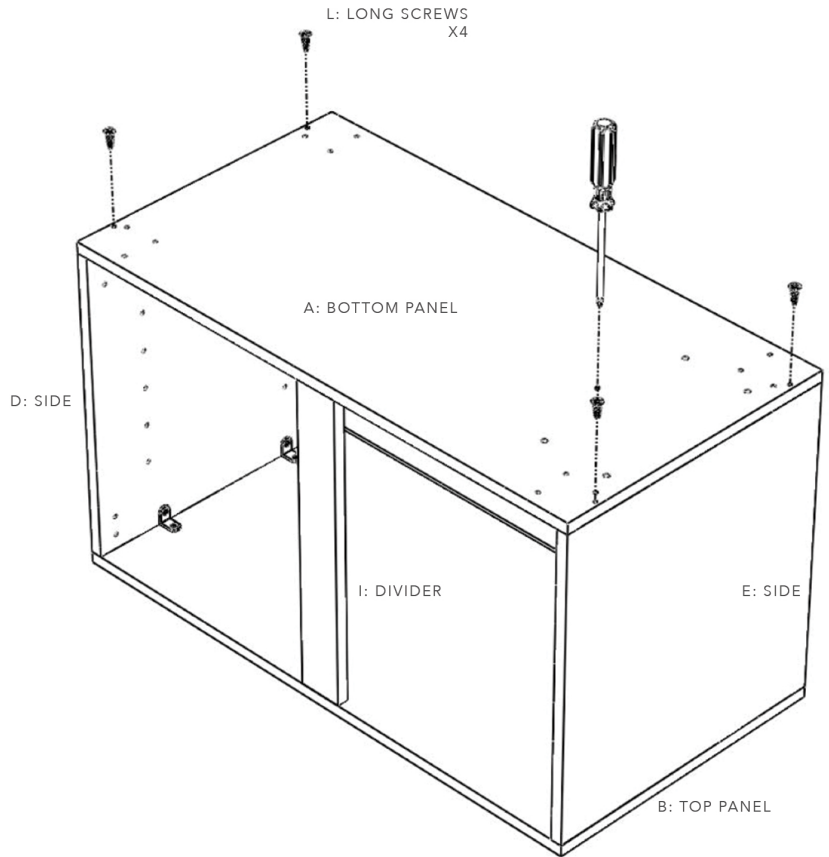
**PRO TIP:** TO PROTECT THE WOOD, ASSEMBLE ON TOP OF THE CARDBOARD SHEETS INCLUDED IN YOUR PACKAGING.

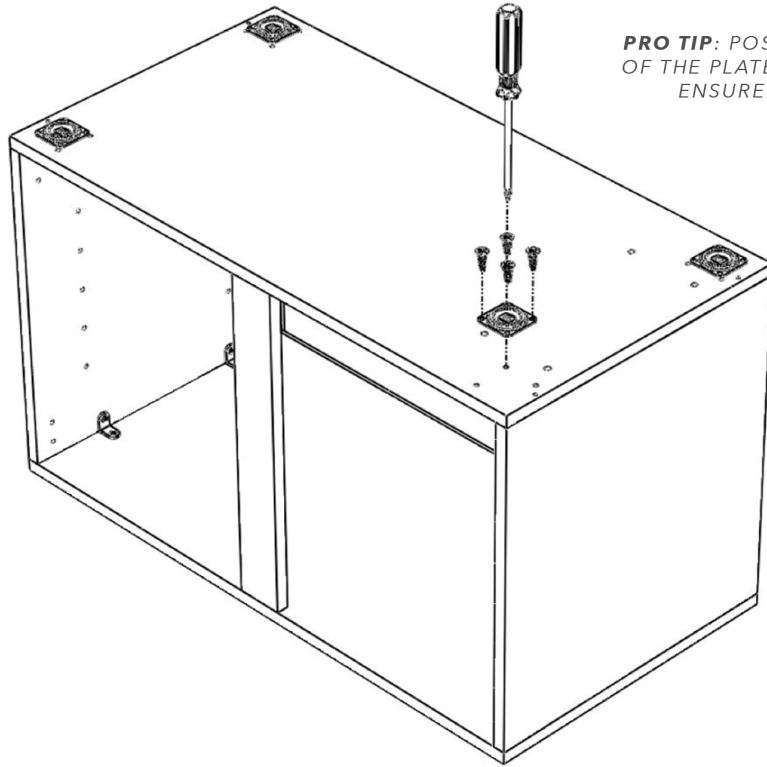


REPEAT AND ADD L BRACKETS ON SIDE E

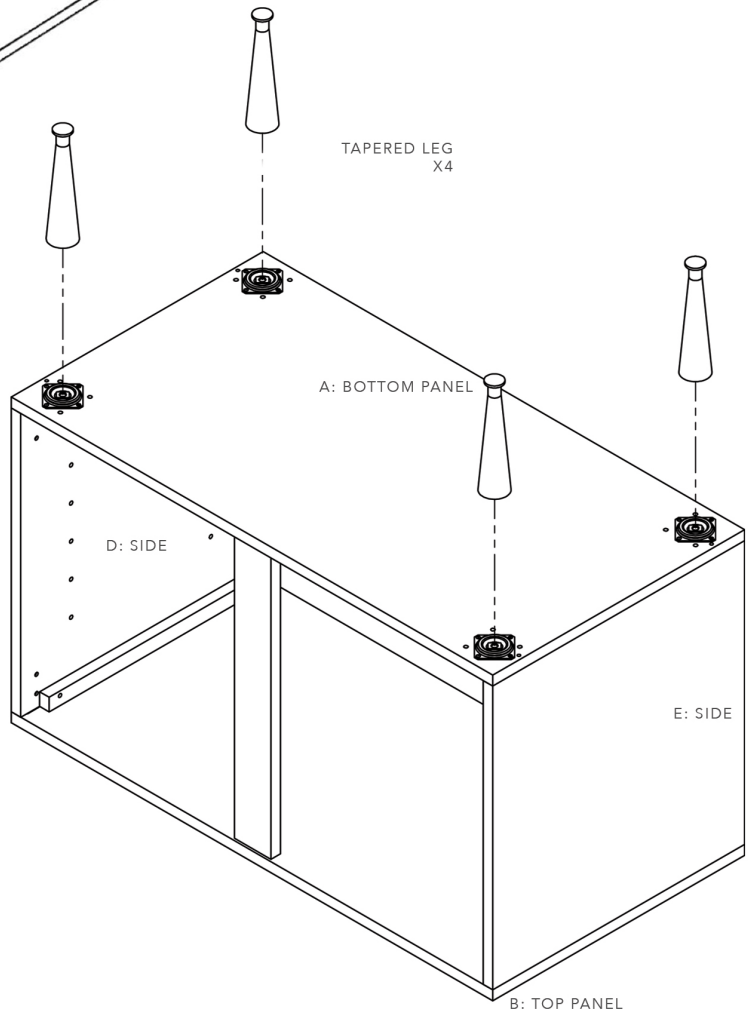
**PRO TIP:** TO PROTECT THE WOOD, ASSEMBLE ON TOP OF THE CARDBOARD SHEETS INCLUDED IN YOUR PACKAGING.



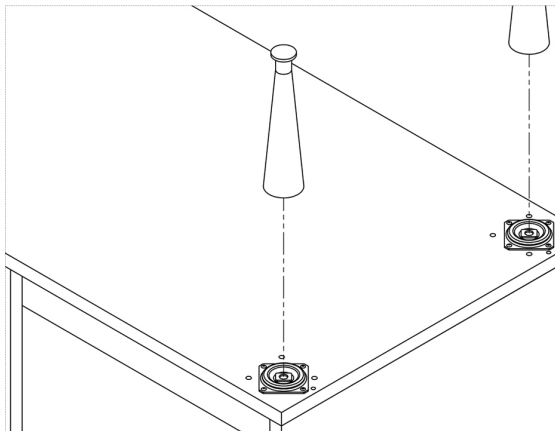


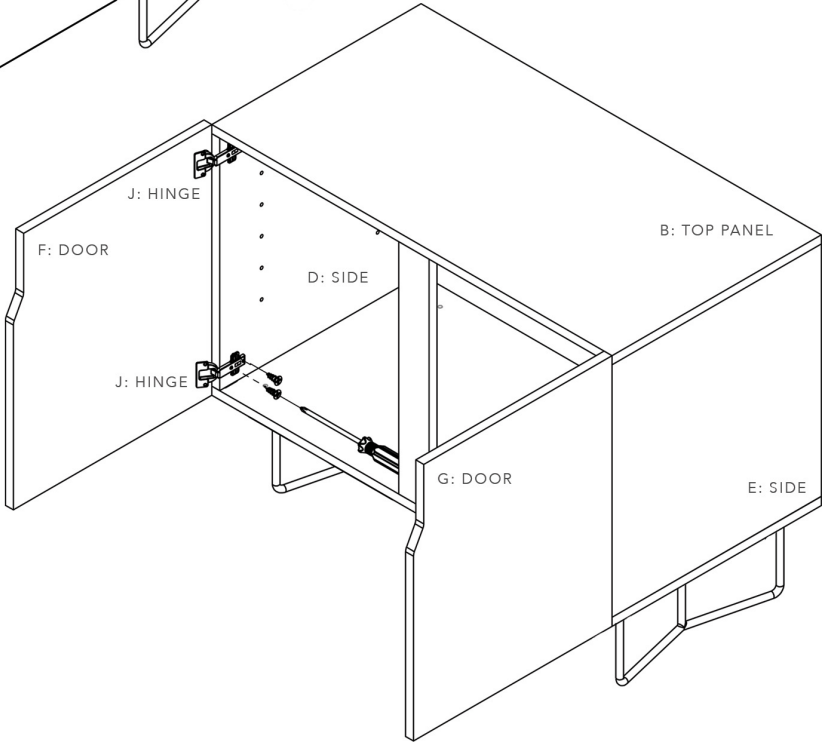
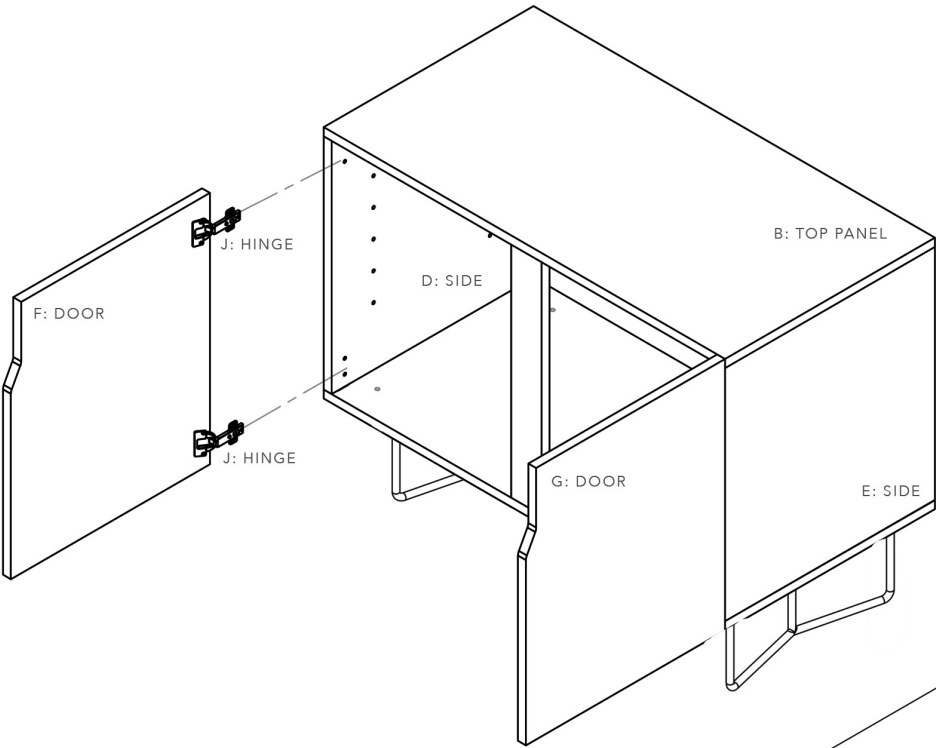


**PRO TIP:** POSITION THE LEG PLATES SO THAT THE ANGLED PART OF THE PLATE IS FACING INWARD FROM EACH CORNER. THIS WILL ENSURE YOUR WOODEN LEGS ARE ANGLED CORRECTLY.

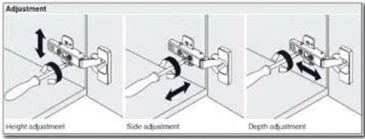


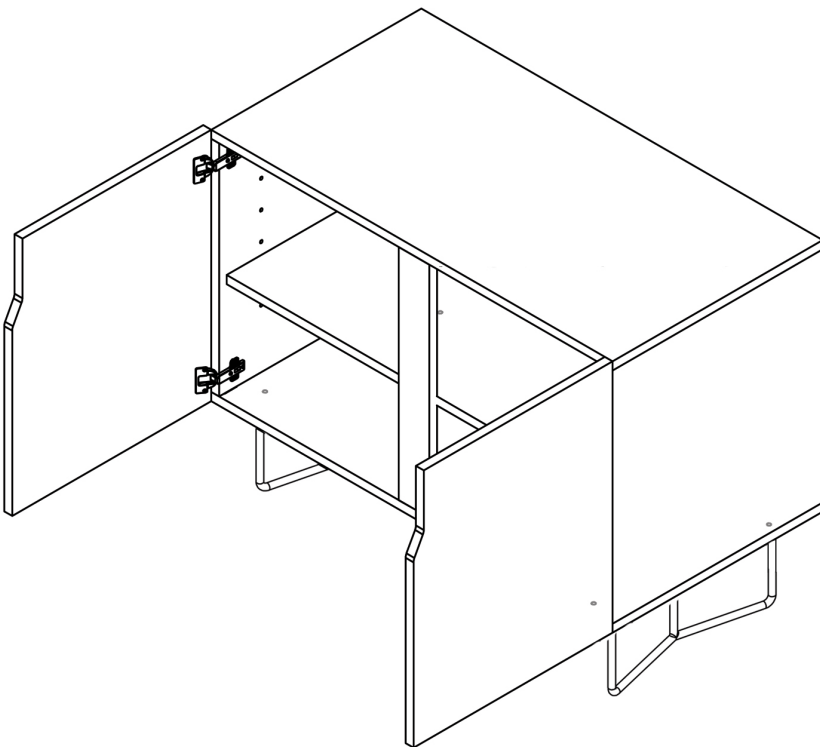
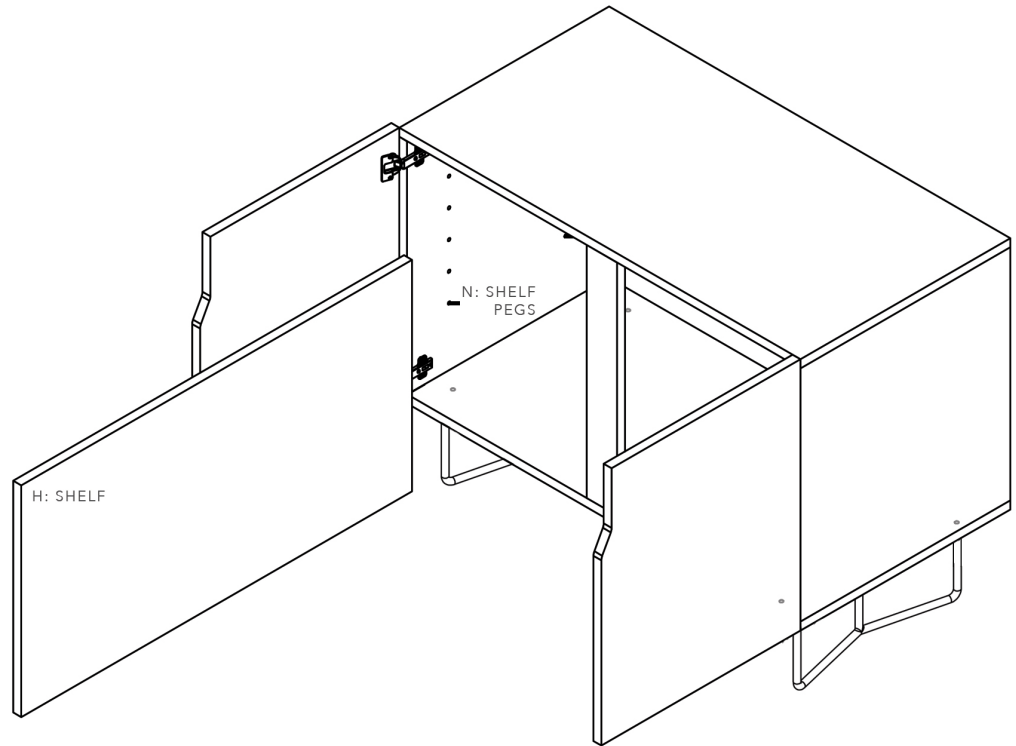
TAPERED LEG:





SOME ADJUSTMENTS ON DOOR HINGES WILL BE NECESSARY.





**PRO TIP:** TO PROTECT WOOD AND HARD FLOORS, USE INCLUDED FELT PROTECTORS UNDERNEATH THE CREDENZA LEGS.



**1-800-973-6091**

MON-FRI 9:30AM-4:30PM MST

**SUPPORT@DENYDESIGNS.COM**



**SHOP THE FUN AT DENYDESIGNS.COM**