

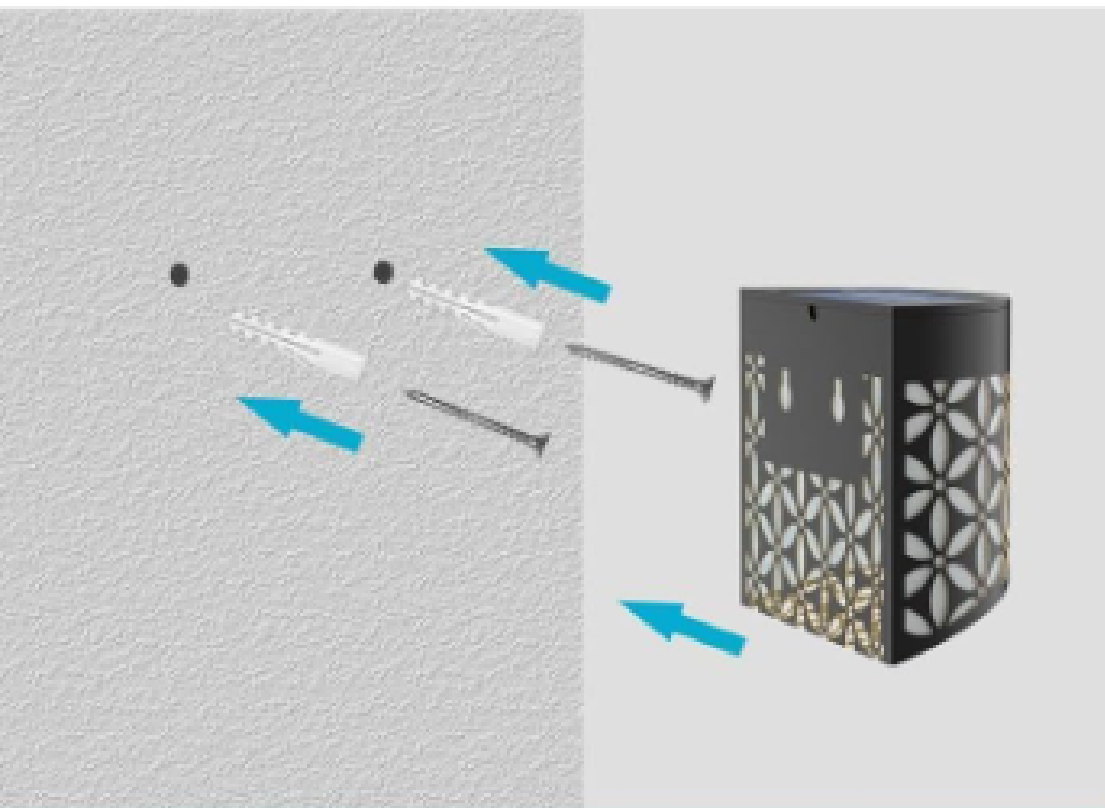
# Easy to Install



**1.** Drill 2 hole on the surface



**2.** Turn switch from "OFF" to "WARM" or "RGB"



**3.** Insert the rubber stopped and tighten the screw

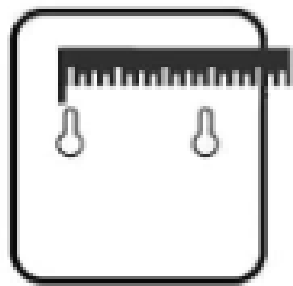
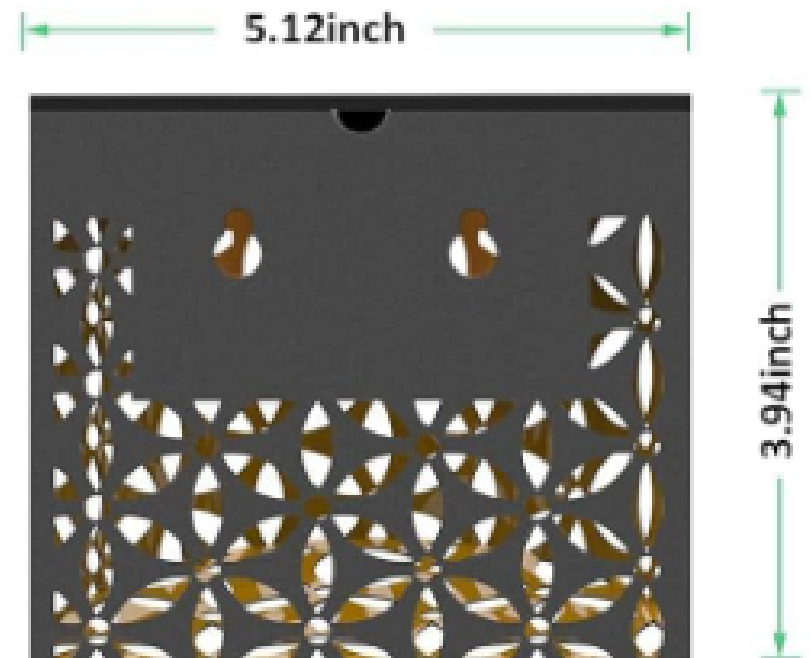


**4.** Hang the lights

Front

Side

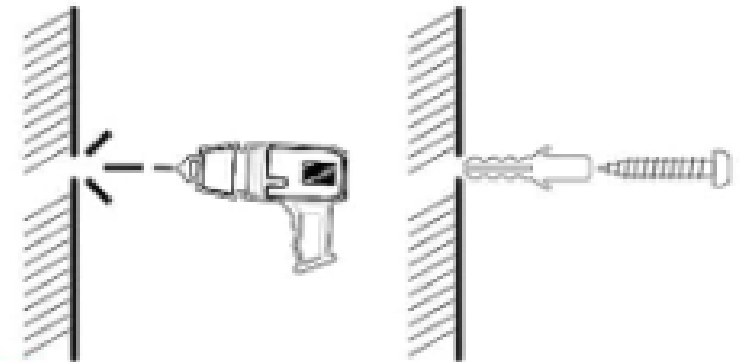
Back



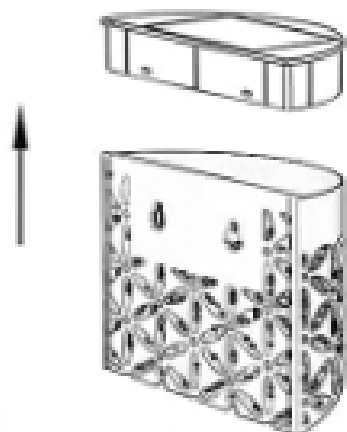
**1** Measure the distance between the two screw holes



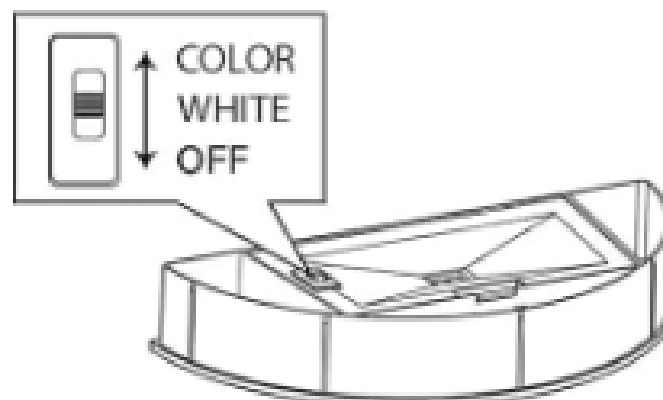
**2** Draw the distance between the two screw holes on the wall



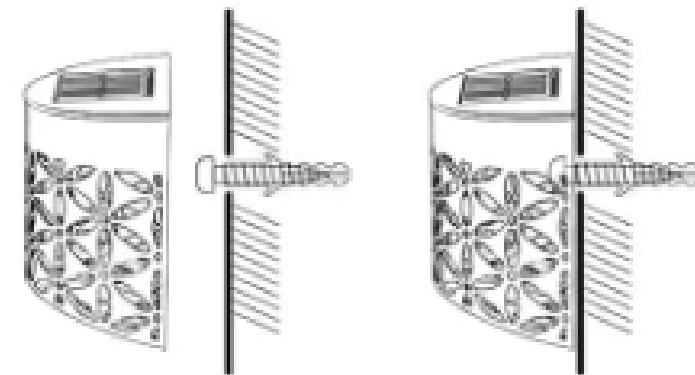
**3** Drill into the wall, assemble expansion plastic screws and screws



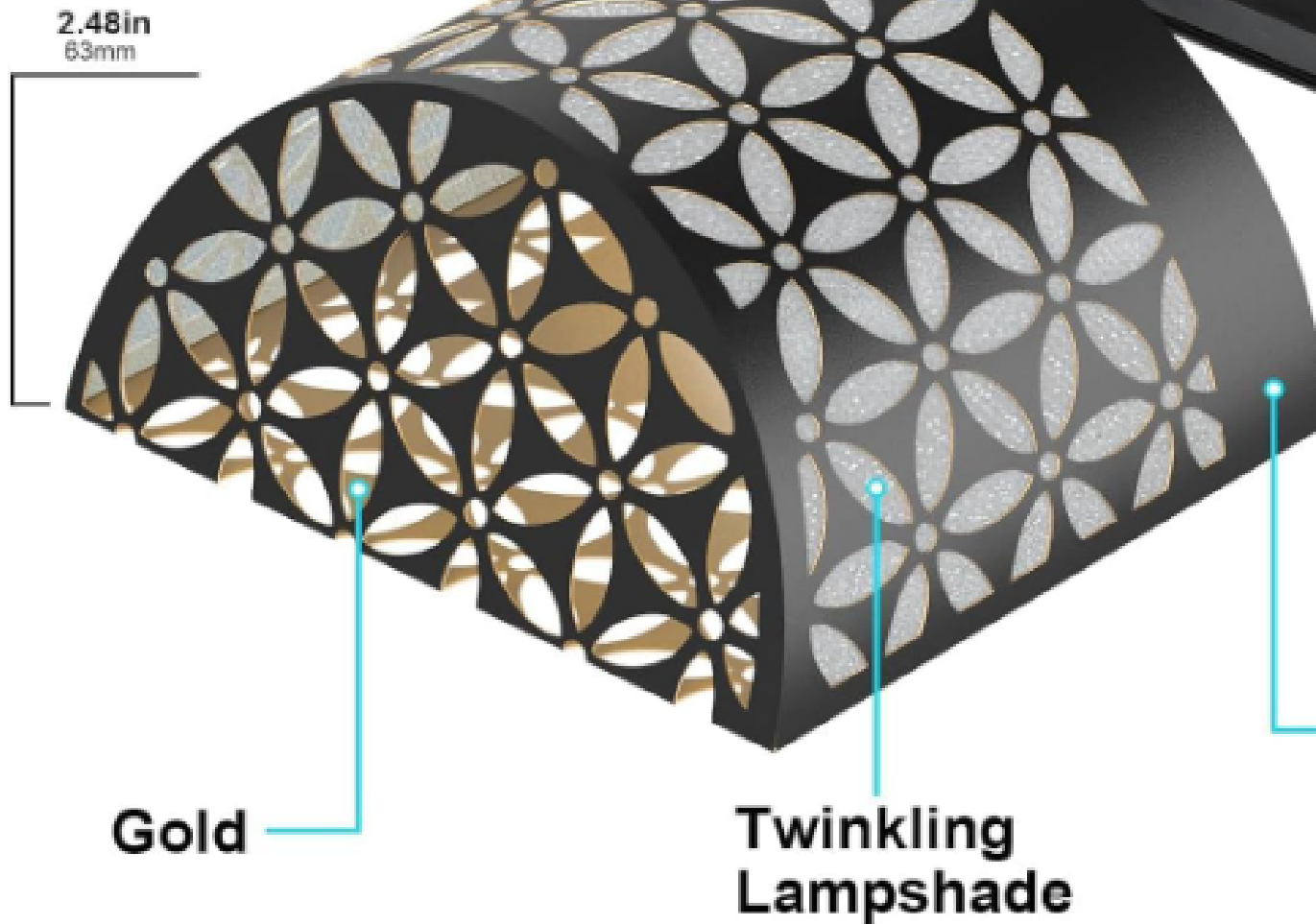
**4** Remove the light head from the metal frames



**5** Turn on the light switch



**6** Hang the lamp on the screw



**Solar Panel**

**LED Beads**




**Switch**

- Off
- Warm Light
- Color

**Metal**

# Works well in all weathers




 IP65 Waterproof



 Heat-Resistance



 Frost-resistance



**Automatically Absorb  
Solar Energy to Charge  
During Daytime**

**Automatically Light Up  
in the Evening**



