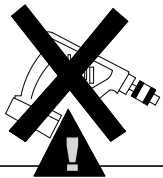
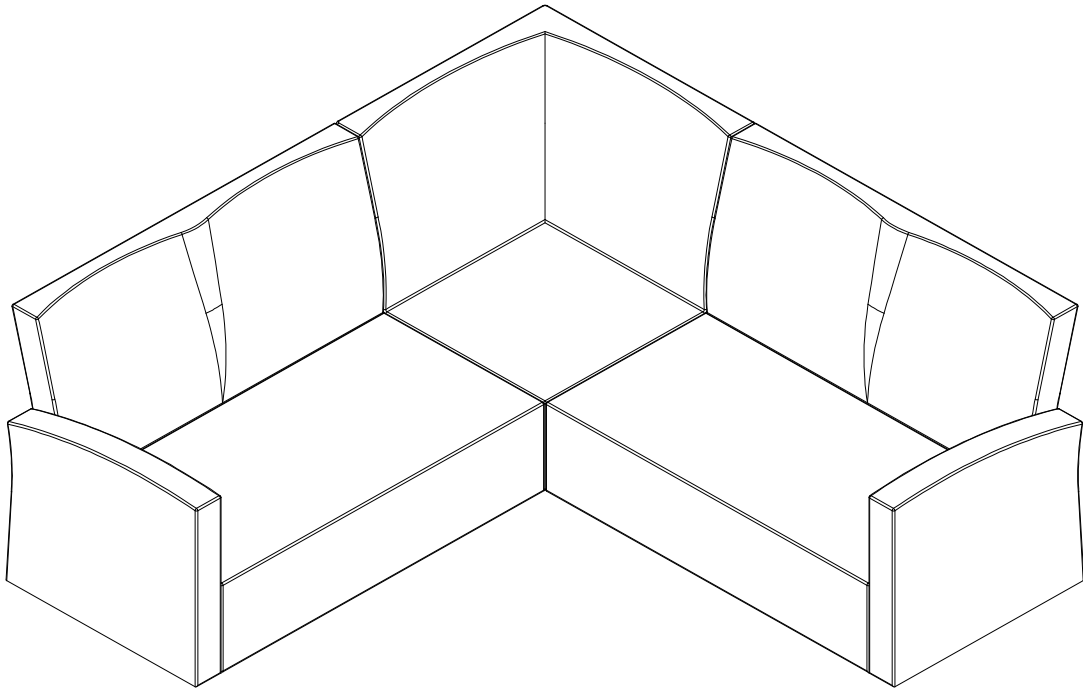
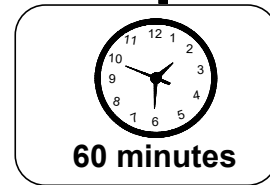
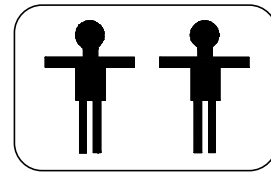


ASSEMBLY INSTRUCTIONS

DOUBLE CORNER

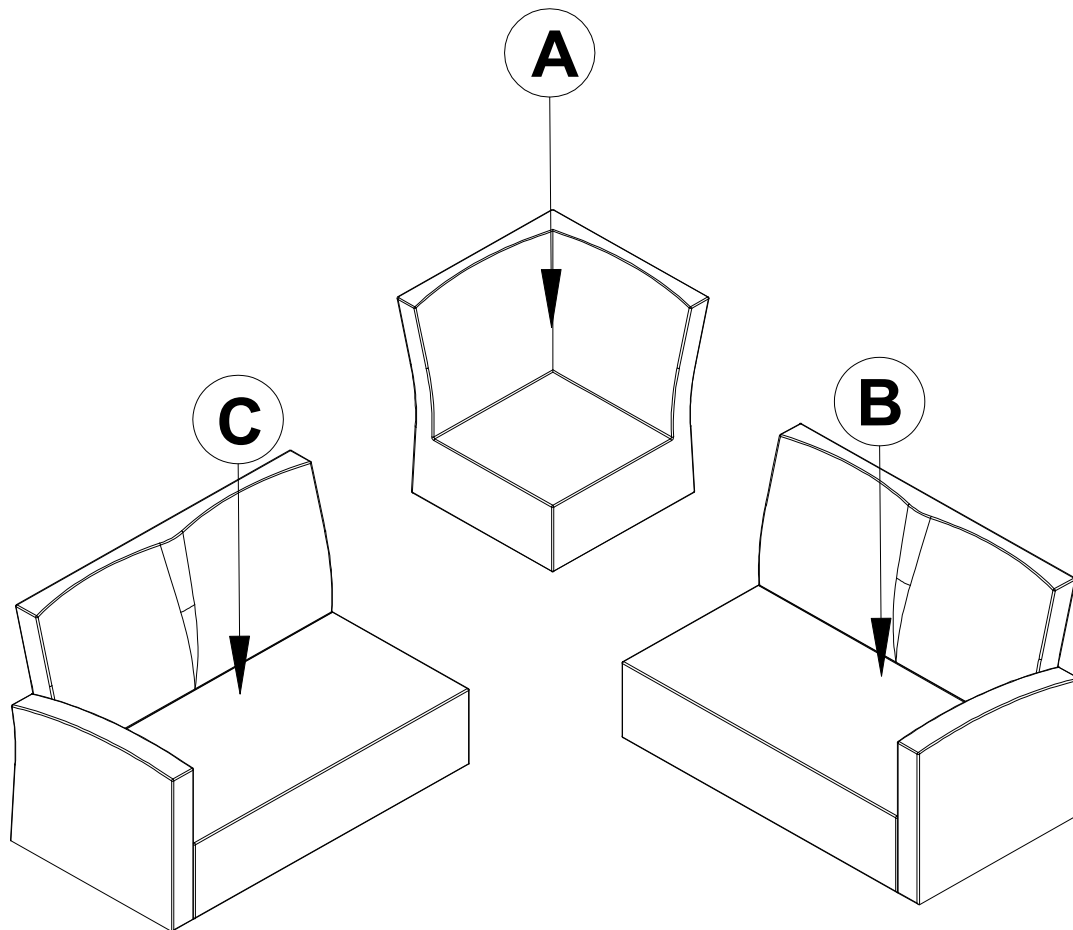


- . Use of power tool to assemble this product will invalidate any claim and damage this product making it unsafe!!!
- . Please assemble on a clean soft surface to avoid damage.

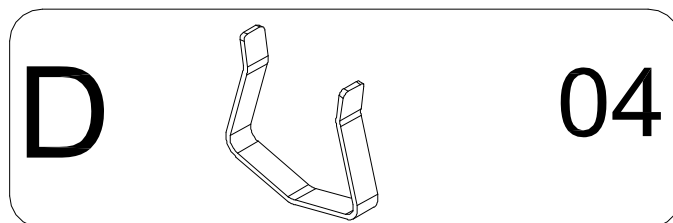


Determine the configuration that you purchased. Choose the Assembly Instructions that matches that configuration.

Part List- Double Corner



Identifying the hardware-Identify the hardware using the illustrations below.



STEP 1

