

User's Manual




Estimated Time for Assembly

60 mins

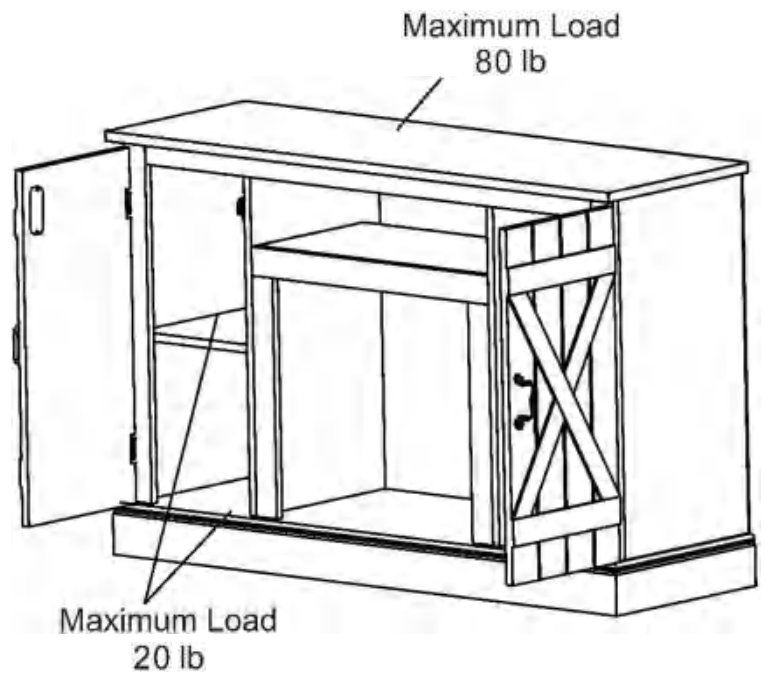


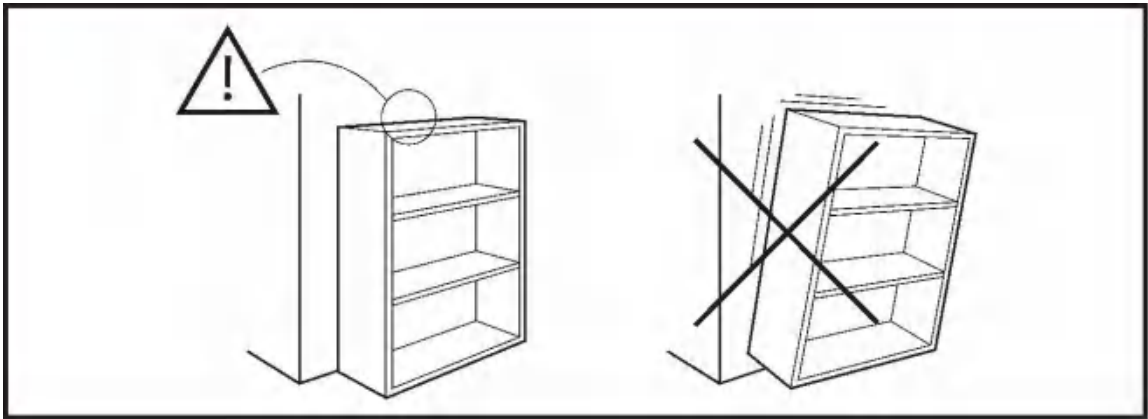
Weight Limitation

20  Shelf

80  Top

Tools Needed (Not included)

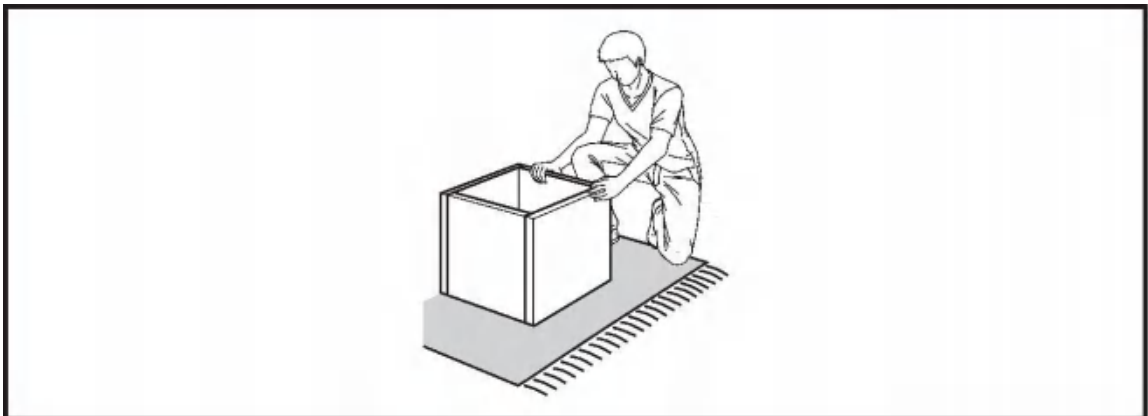




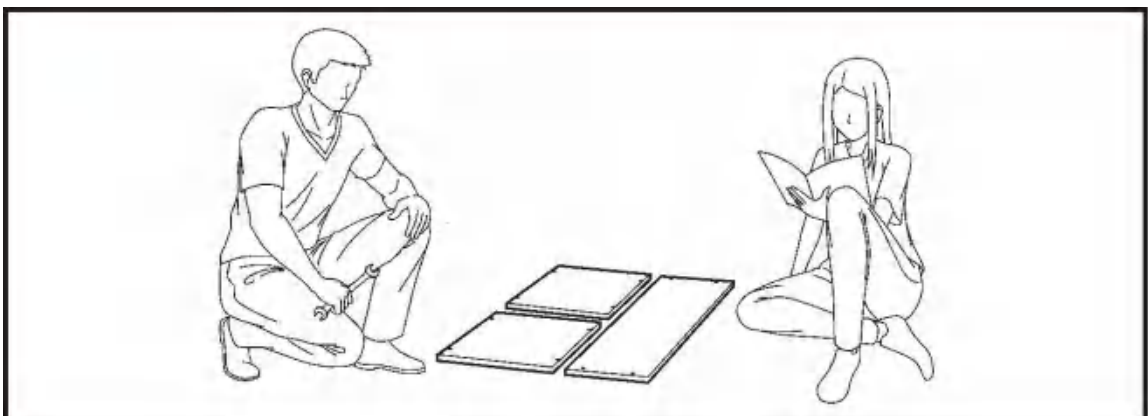
Warning

Serious or fatal crushing injuries may occur if the furniture tip-over. Furniture must permanently fixed to the wall with included anti-tipping device to prevent the furniture from tipping over.

Different wall materials requires different types of fixing device, Use suitable fixing device to secure the stability and load bearing capacity of the furniture. If you are uncertain about which type of fixing device to use, please contact your local hardware store.



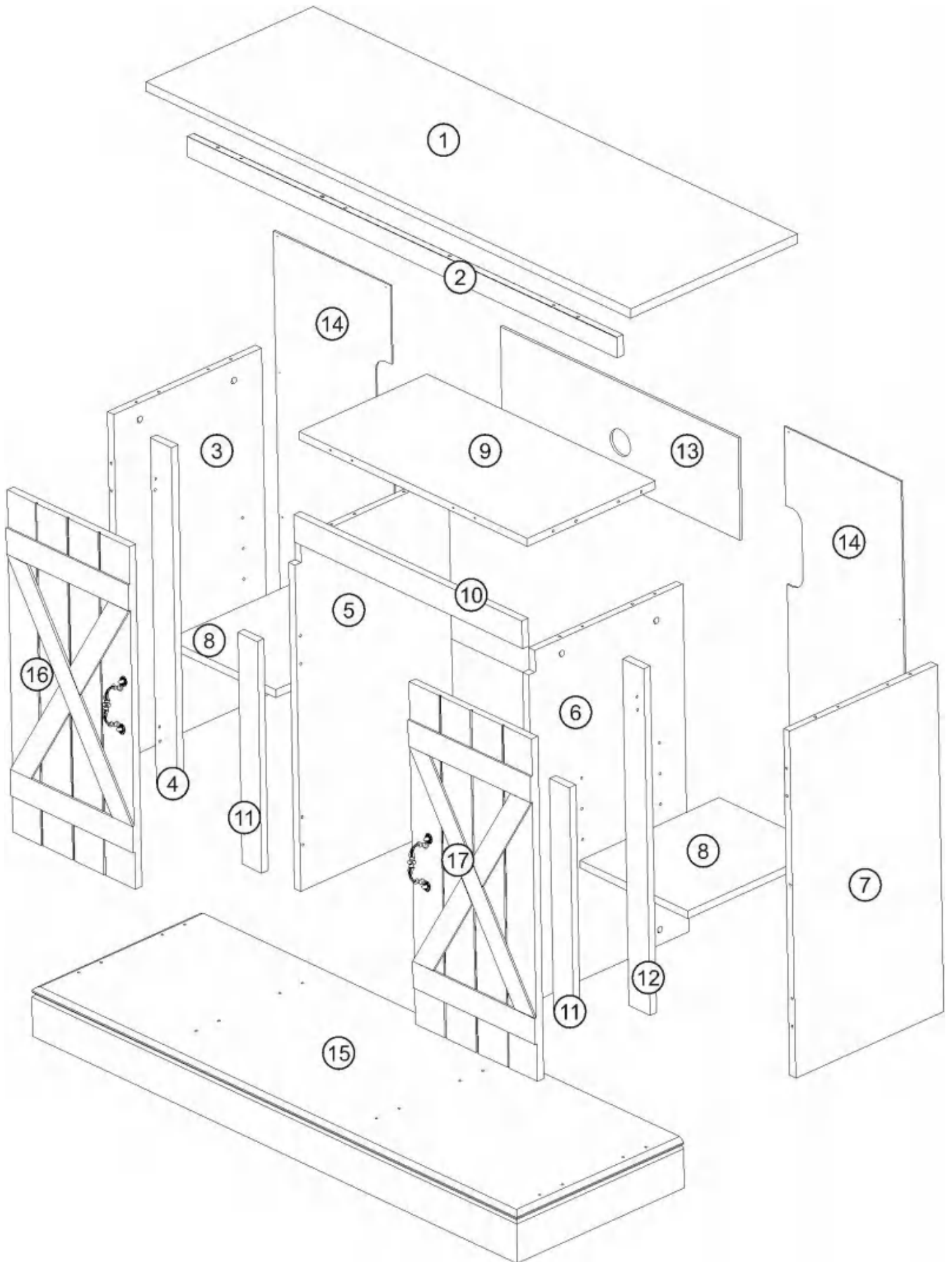
Assemble the furniture on empty carton, carpet, or rug to prevent scratches or damage.



This furniture requires 2 people to assembly.

Make sure no parts are missing or damaged before assembly.

PACKAGE CONTENT



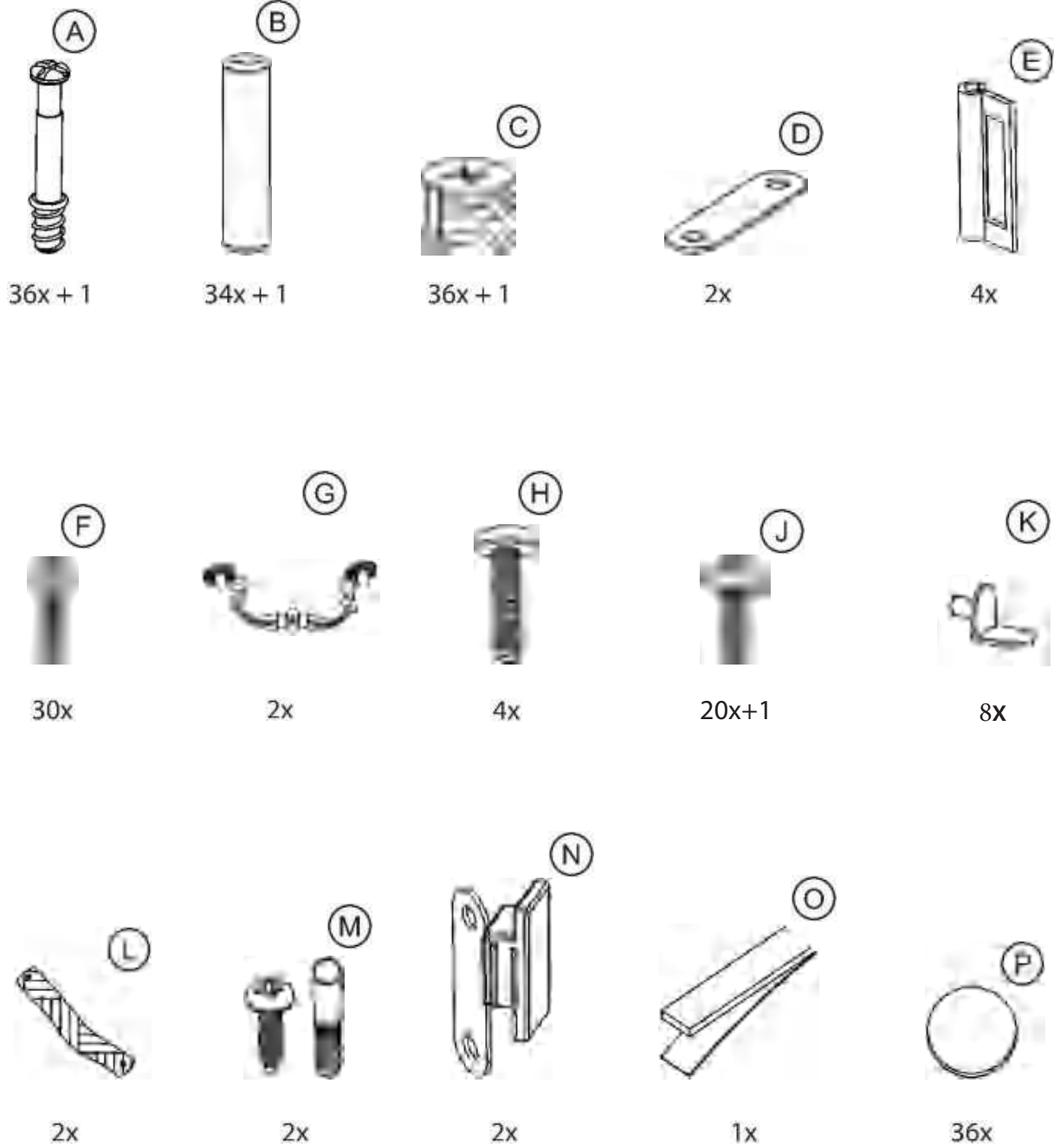
PACKAGE CONTENT

CODE	DESCRIPTION	QTY
1	Countertop Board	1
2	Lintel	1
13	Upper Back Panel	1
14	Lower Back Panel	2
15	Base Plate	1

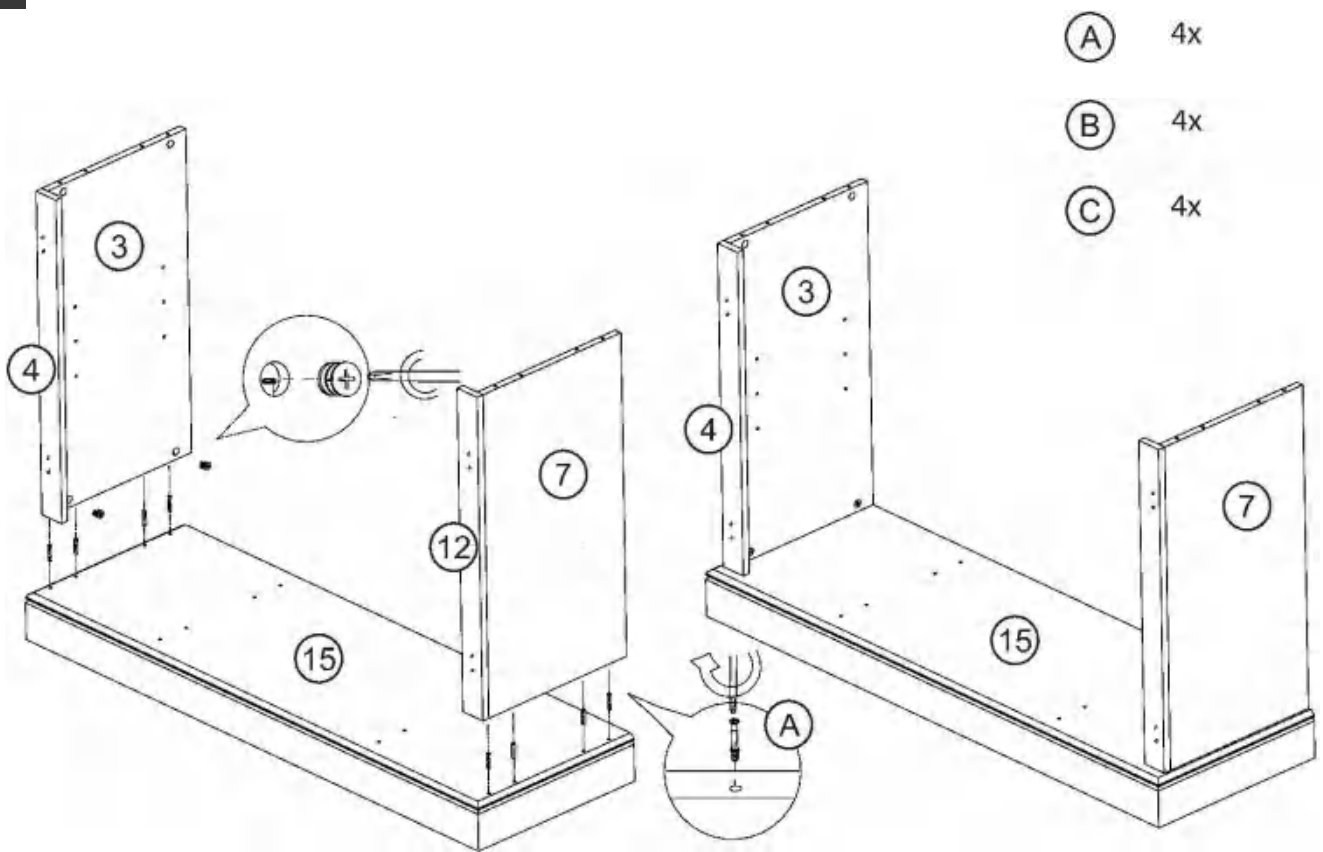
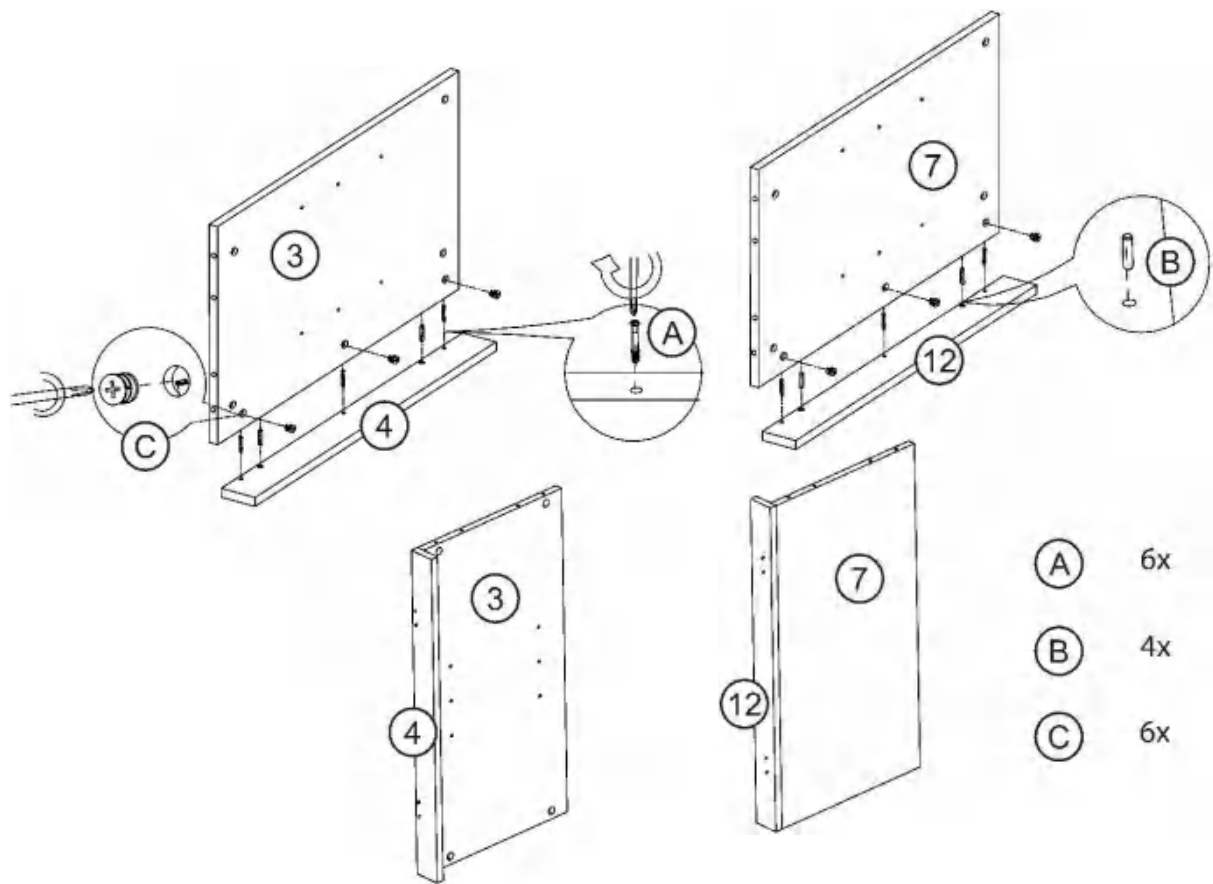
PACKAGE CONTENT

CODE	DESCRIPTION	QTY
3	Left Side Plate	1
4	Left Side Bar	1
5	Left Middle	1
6	Right Middle	1
7	Right Side Plate	1
8	Storage Board	2
9	Laminates	1
10	Center Bar	1
11	Lower Back Panel	2
12	Right Side Bar	1
16	Cabinet Door	1
17	Cabinet Door	1

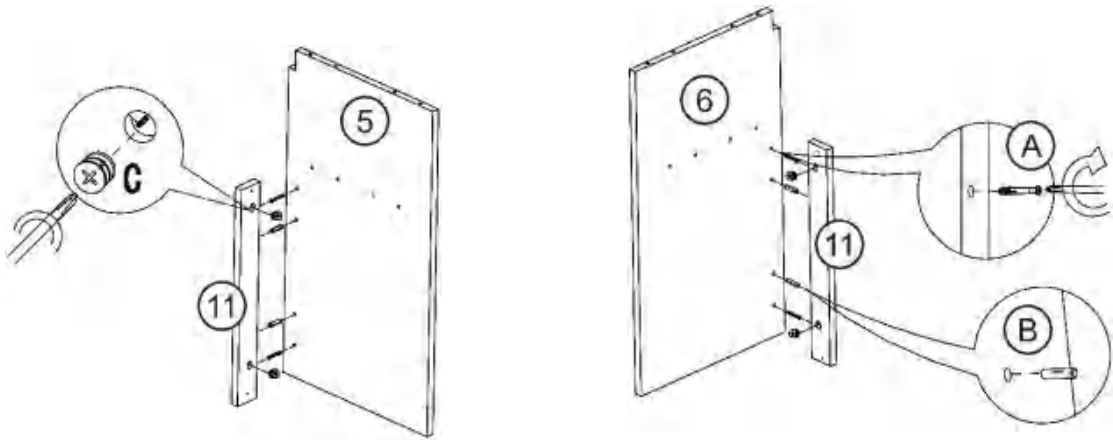
PACKAGE CONTENT



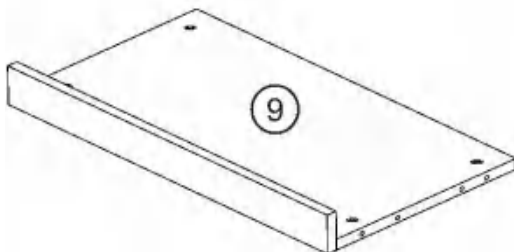
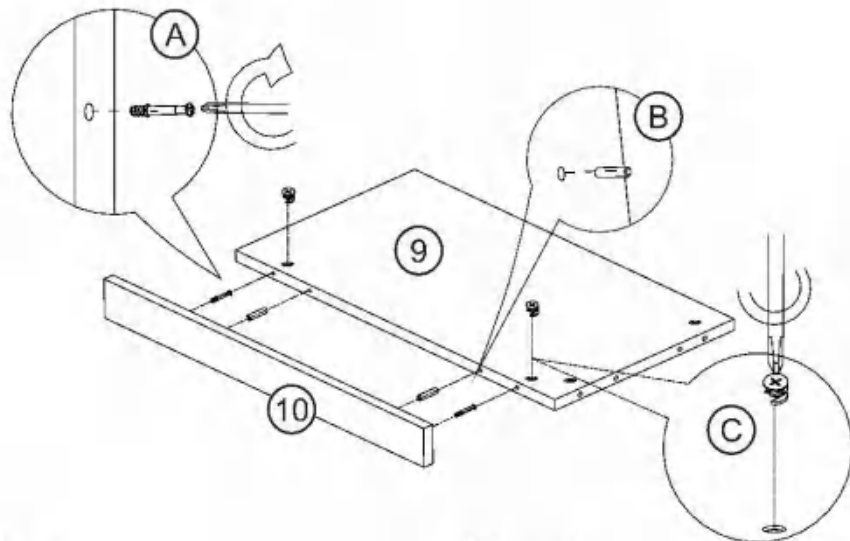
1



3



- (A) 4x
- (B) 4x
- (C) 4x



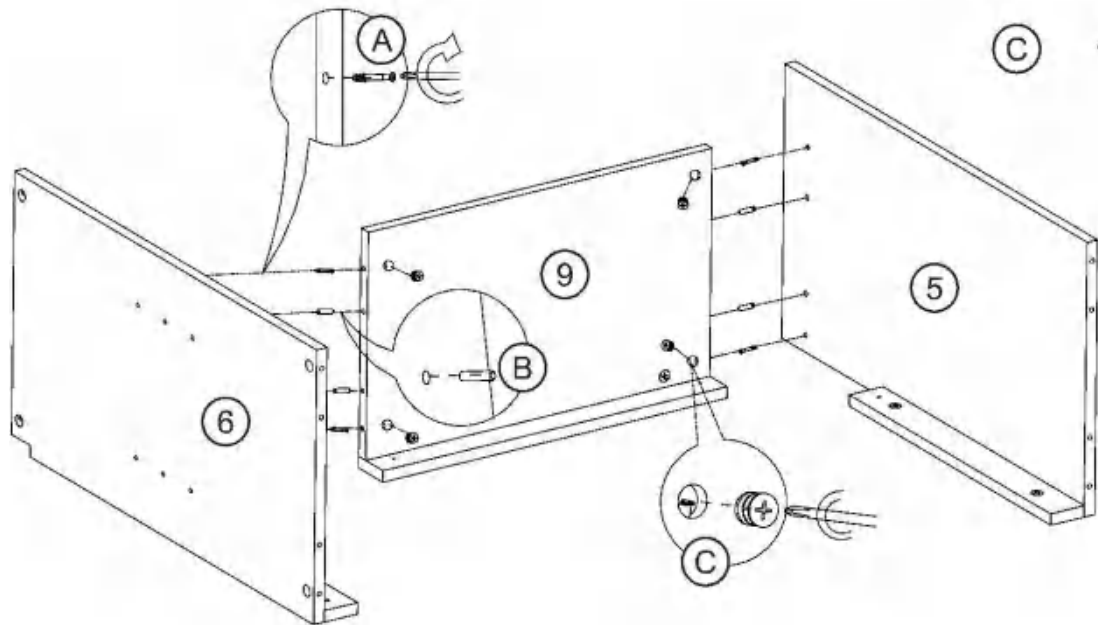
- (A) 2x
- (B) 2x
- (C) 2x



Ⓐ 4x

Ⓑ 4x

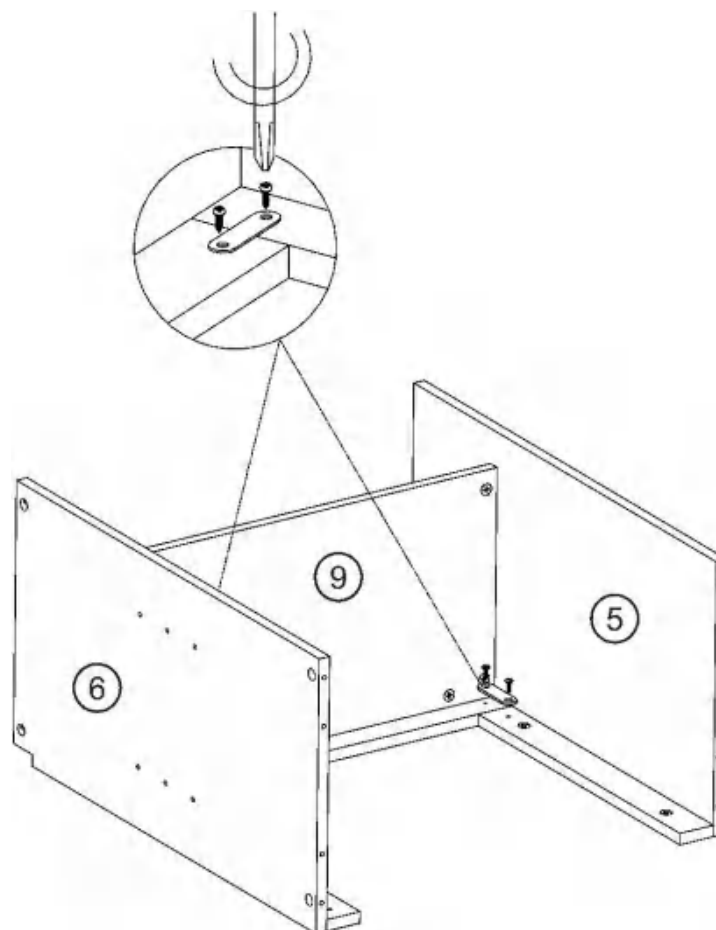
Ⓒ 4x



6

Ⓓ 2x

Ⓕ 4x

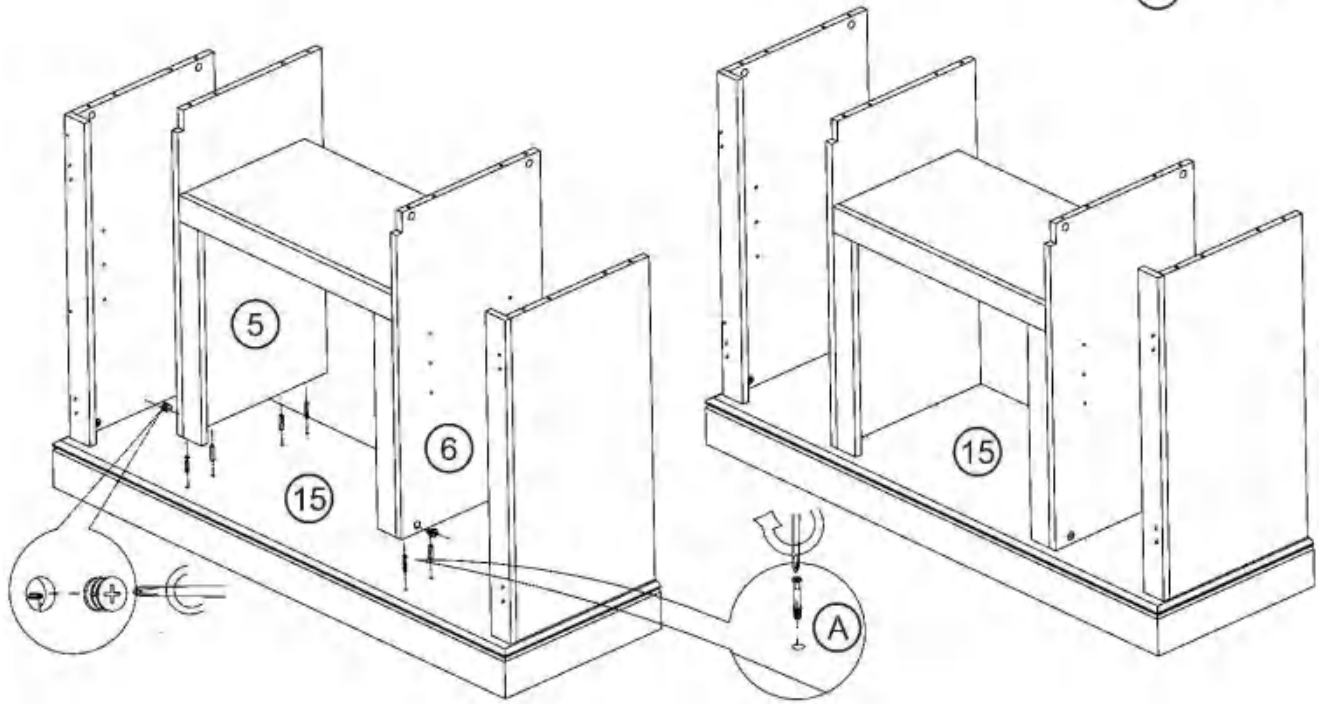


7

(A) 4x

(B) 4x

(C) 4x

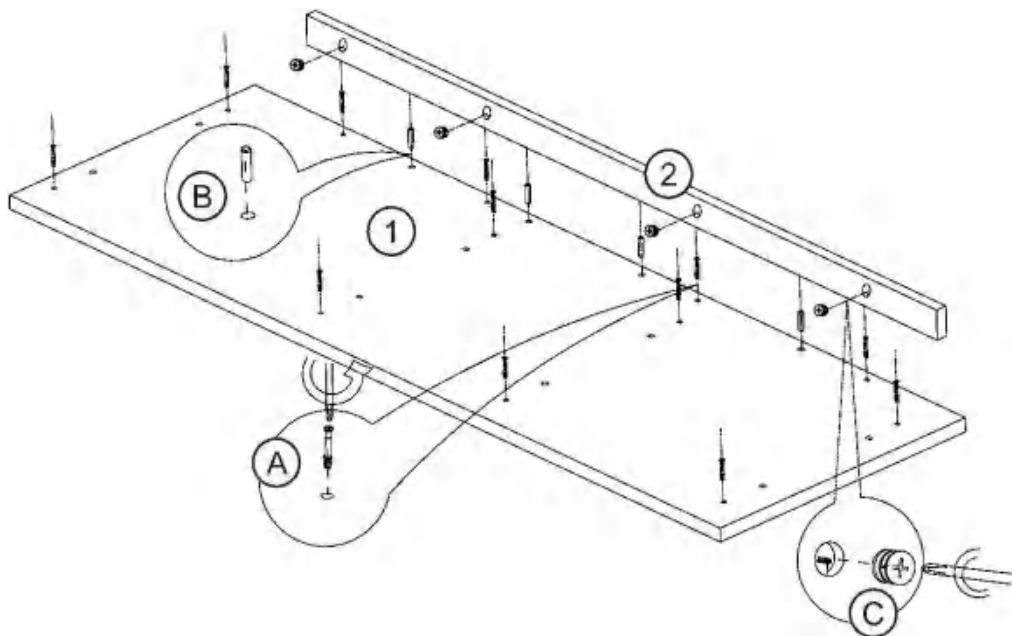


8

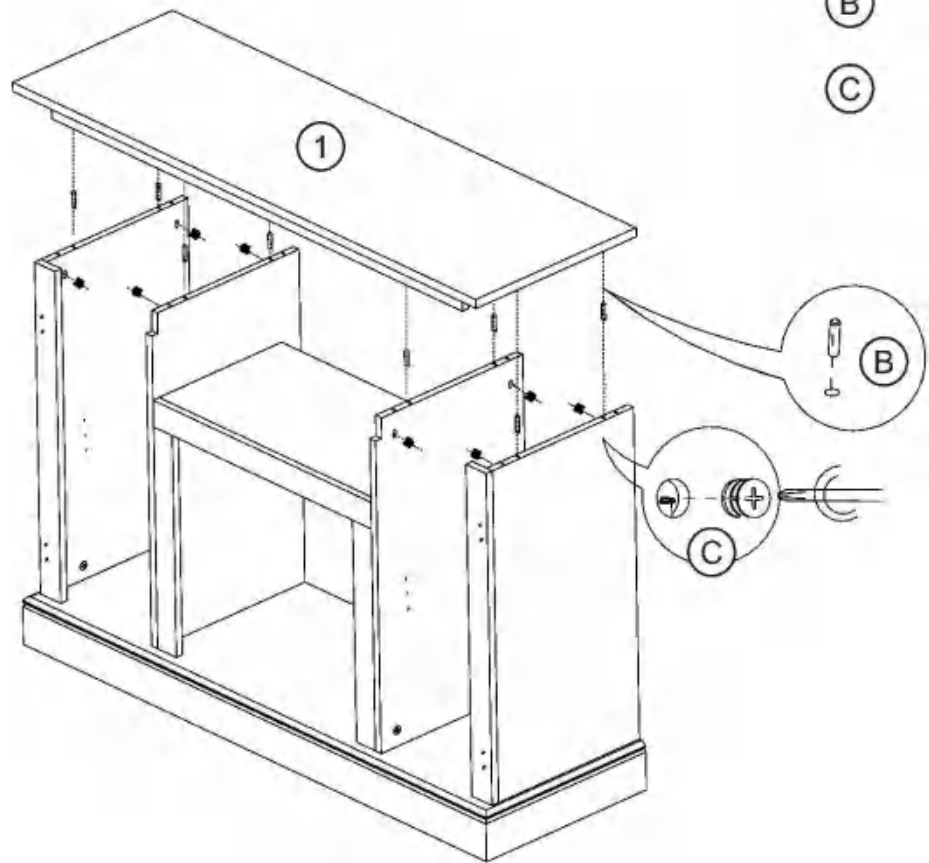
(A) 12x

(B) 4x

(C) 4x

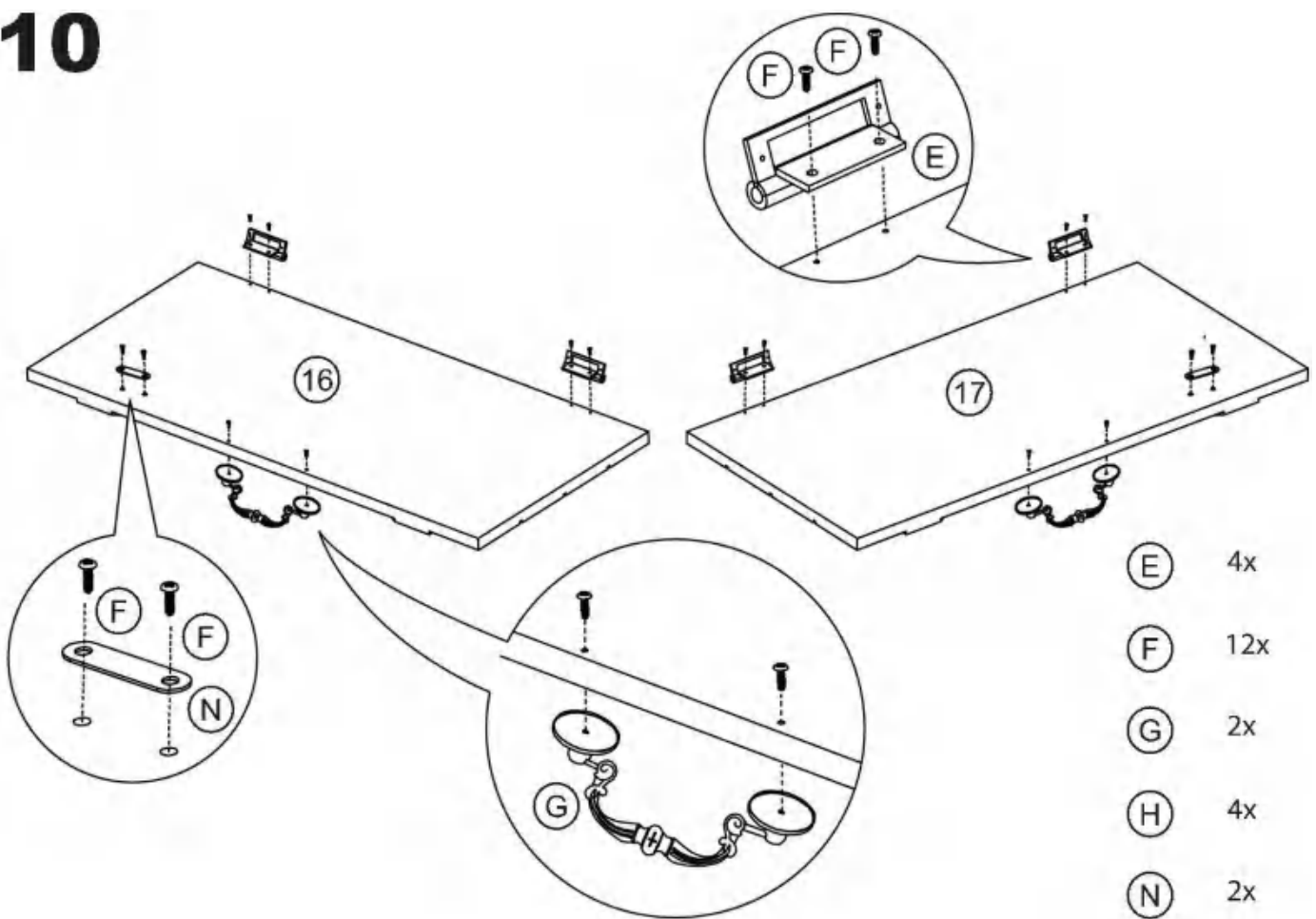


9



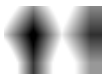
- (B) 8x
- (C) 8x

10

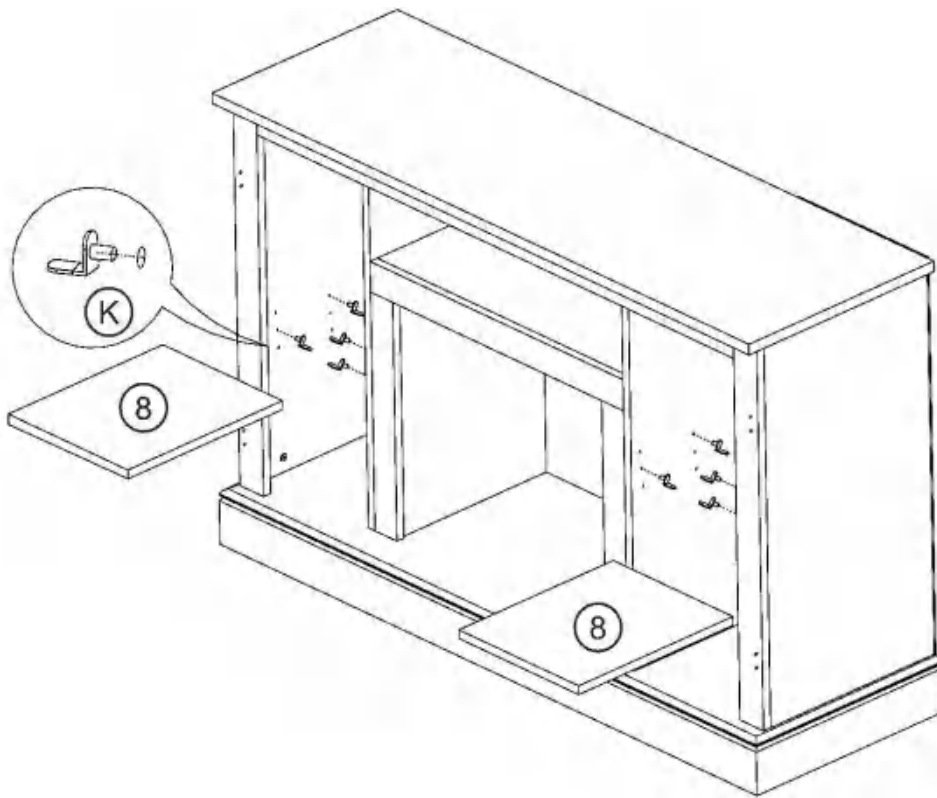


- (E) 4x
- (F) 12x
- (G) 2x
- (H) 4x
- (N) 2x

FIREPLACE MANTEL ASSEMBLY



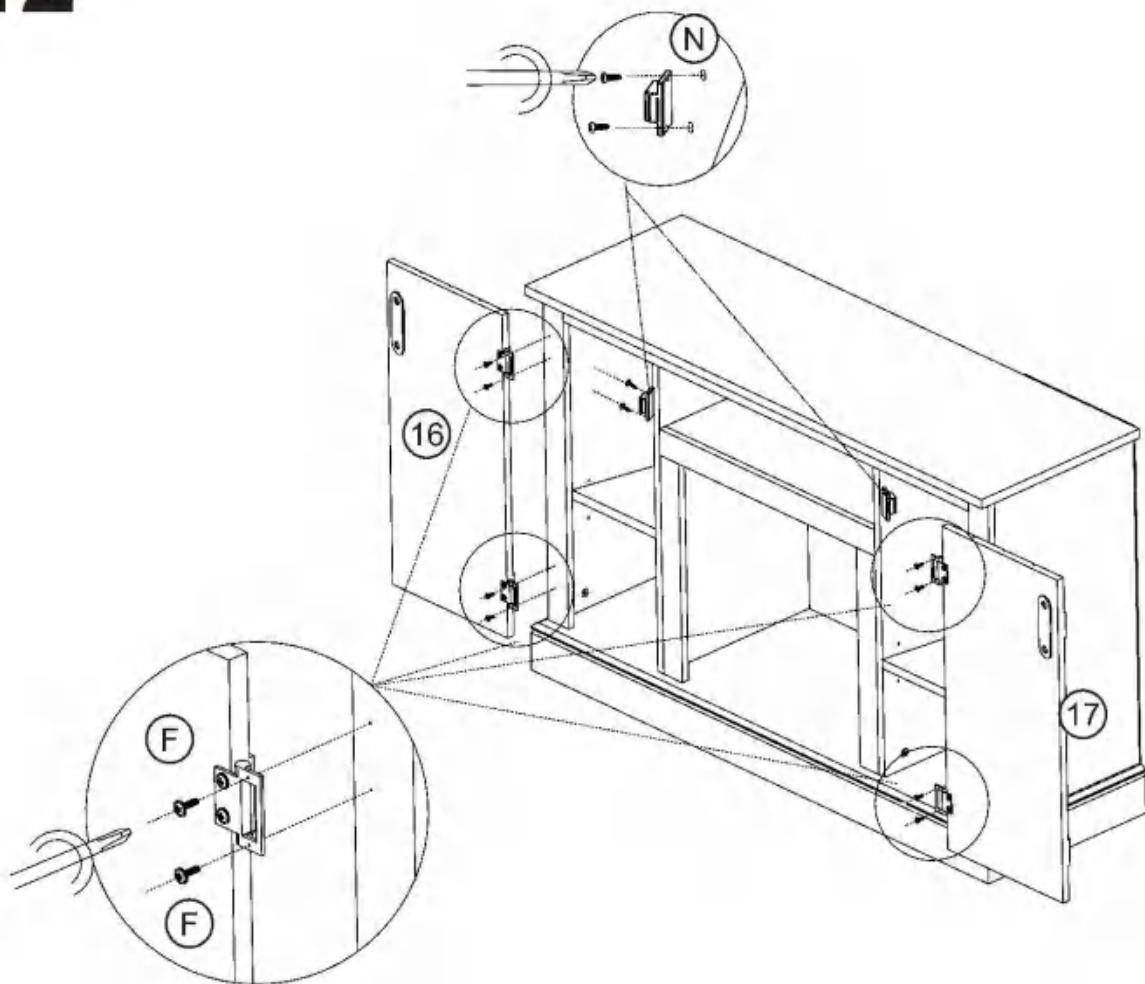
(K) 8x

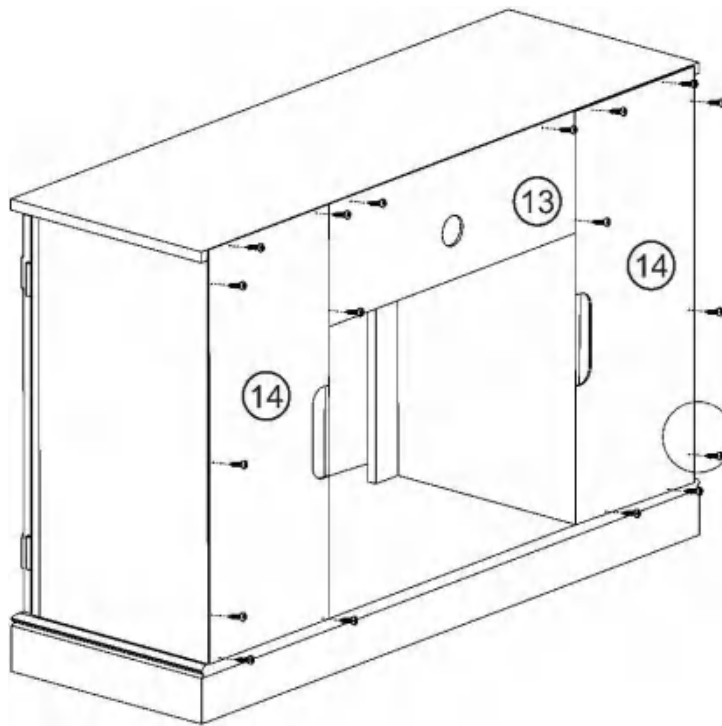
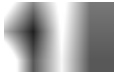


12

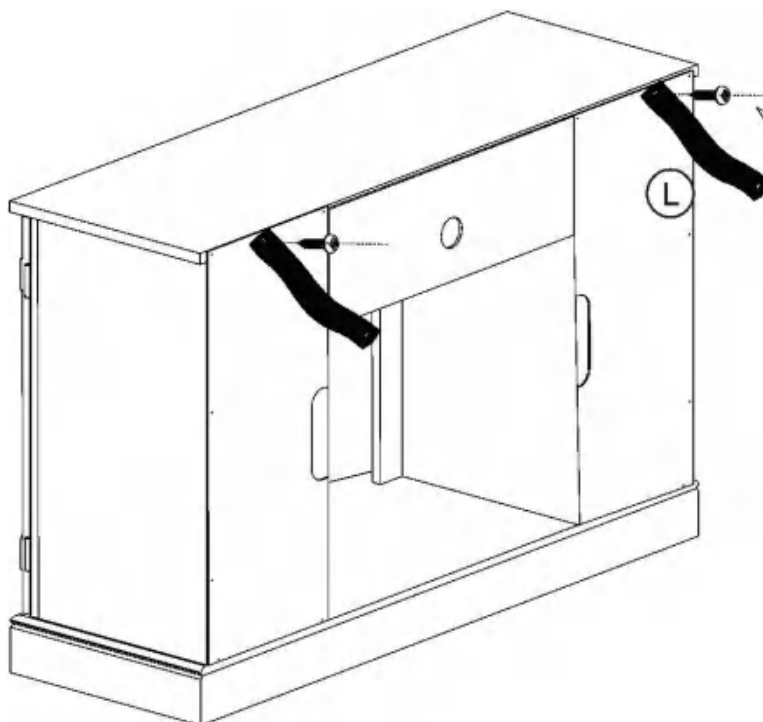
(F) 12x

(N) 2x





ⓐ 18x



ⓐ 2x

Ⓛ 2x

