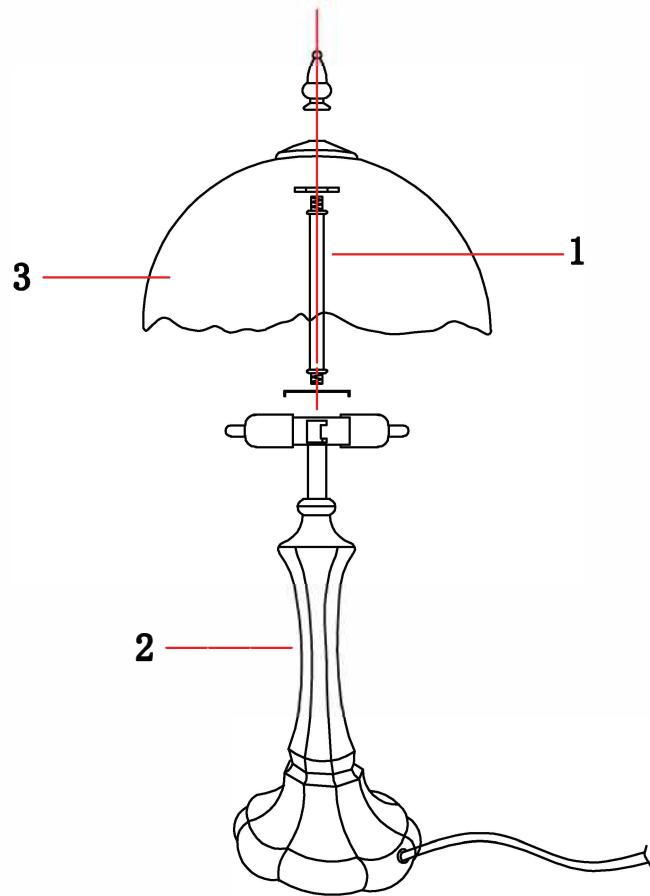
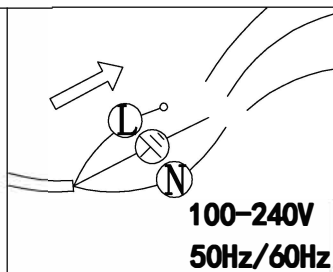


INSTALLATION



Ceiling Lamp
100-240V
50Hz/60Hz
MAX: 60W



Installation:

- ① Drill a hole in the ceiling.
- ② Insert the expansion bolt in the ceiling.
- ③ Mount the crissbar by screws.
- ④ Connect the cable.
- ⑤ Mount the bracket.
- ⑥ Put the lamp shade and light source.

Cautions:

- ⚠ Should be installed by professional the cleaning and installation remember to cut the power off
- ⚠ Keep the lamps away from corrosive chemical and air such as acid and alkali. Do not wash it with water, but **wipe** it clean with a soft cloth.

Accessory List

No	Part Name	Photo	QTY
1	Bracket		1
2	Lamp Body		1
3	The lampshade		1