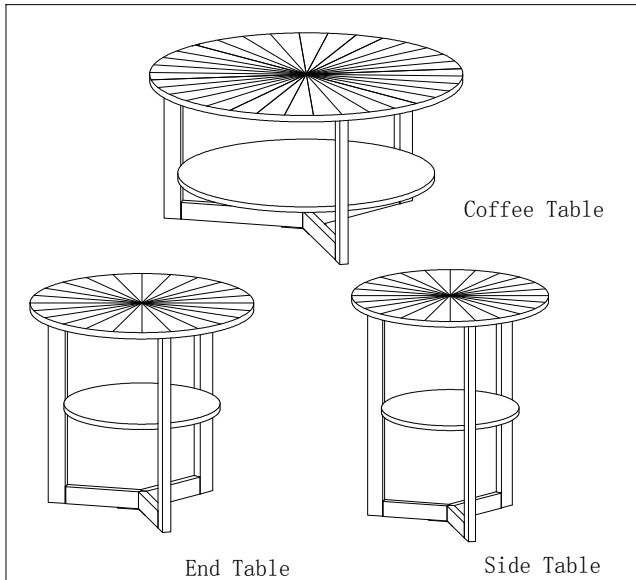


# Assembly Instruction

Thank you for purchasing this quality product. Be sure to check all packing material carefully for small parts which may have come loose inside the carton during shipment. Identify and count all parts and compare with the part list below:

Do not tighten screws & bolts until the entire item is completely assembled.

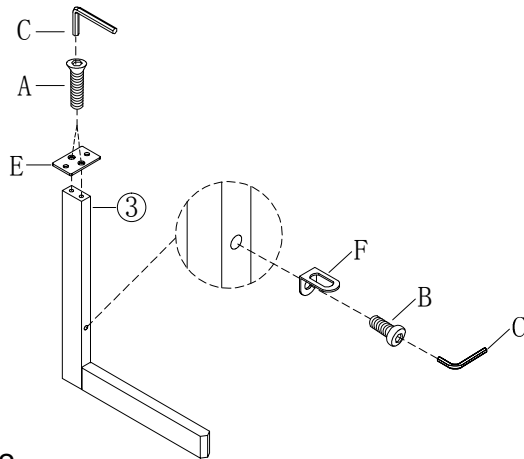


## PARTS LIST

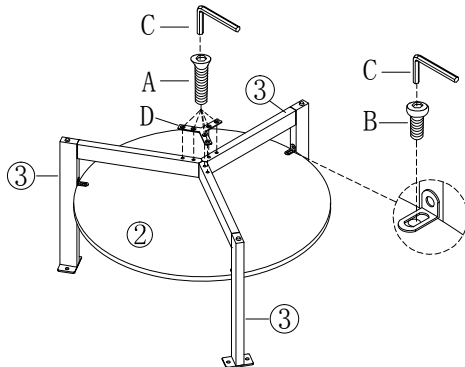
NO.	SKETCH	DESCRIPTION	Q' TY
①		Table Top Panel	1 pc
②		Shelf	1 pc
③		Leg	3 pcs

④			
ASSEMBLY HARDWARE PACK			
NO.	SKETCH	DESCRIPTION	Q' TY
A		Bolt M6*19mm	12 pcs
B		Bolt M6*12mm	12 pcs
C		Allen Wrench 4mm	1 pc
D		Triangle Metal Plate	1 pc
E		Metal Plate	3 pcs
F		Metal Bracket	3 pcs

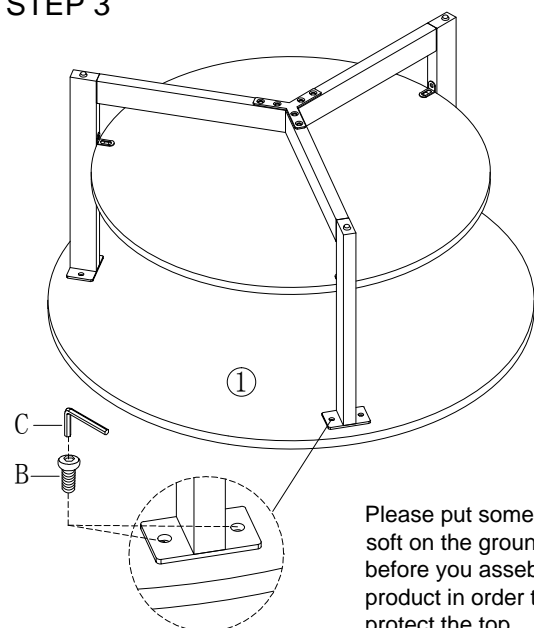
### STEP 1



### STEP 2



### STEP 3



Please put something soft on the ground before you assemble the product in order to protect the top.

Cleaning instruction: clean the surface with furniture polish and a soft cloth.