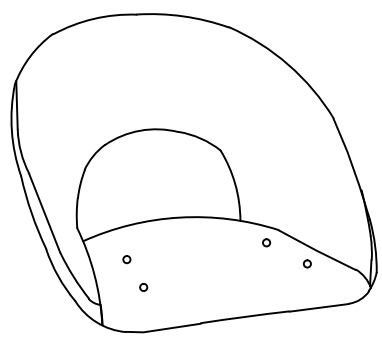
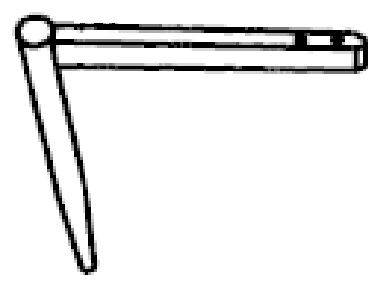


# ASSEMBLING INSTRUCTION

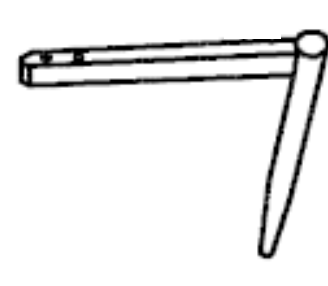
1.X1PC



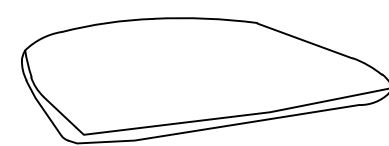
2.X2PCS



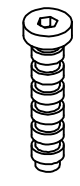
3.X2PCS



4.X1PC



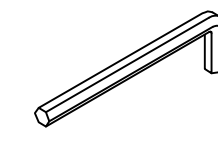
5.X16PCS



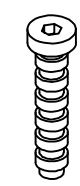
6.X2PCS



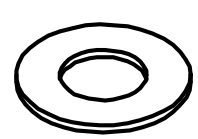
7.X1PC



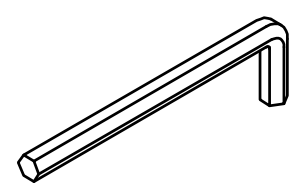
8.X4PCS



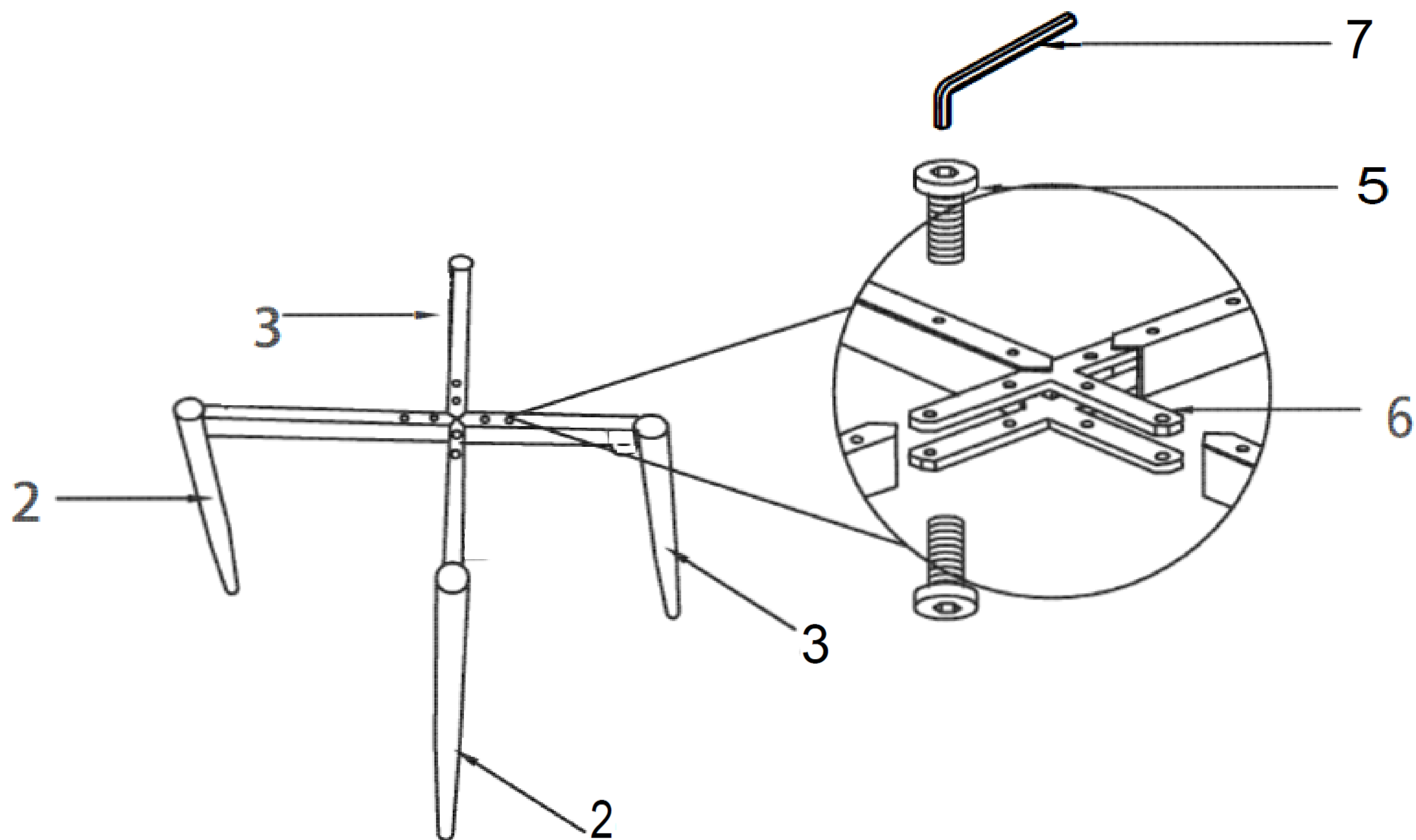
9.X4PCS



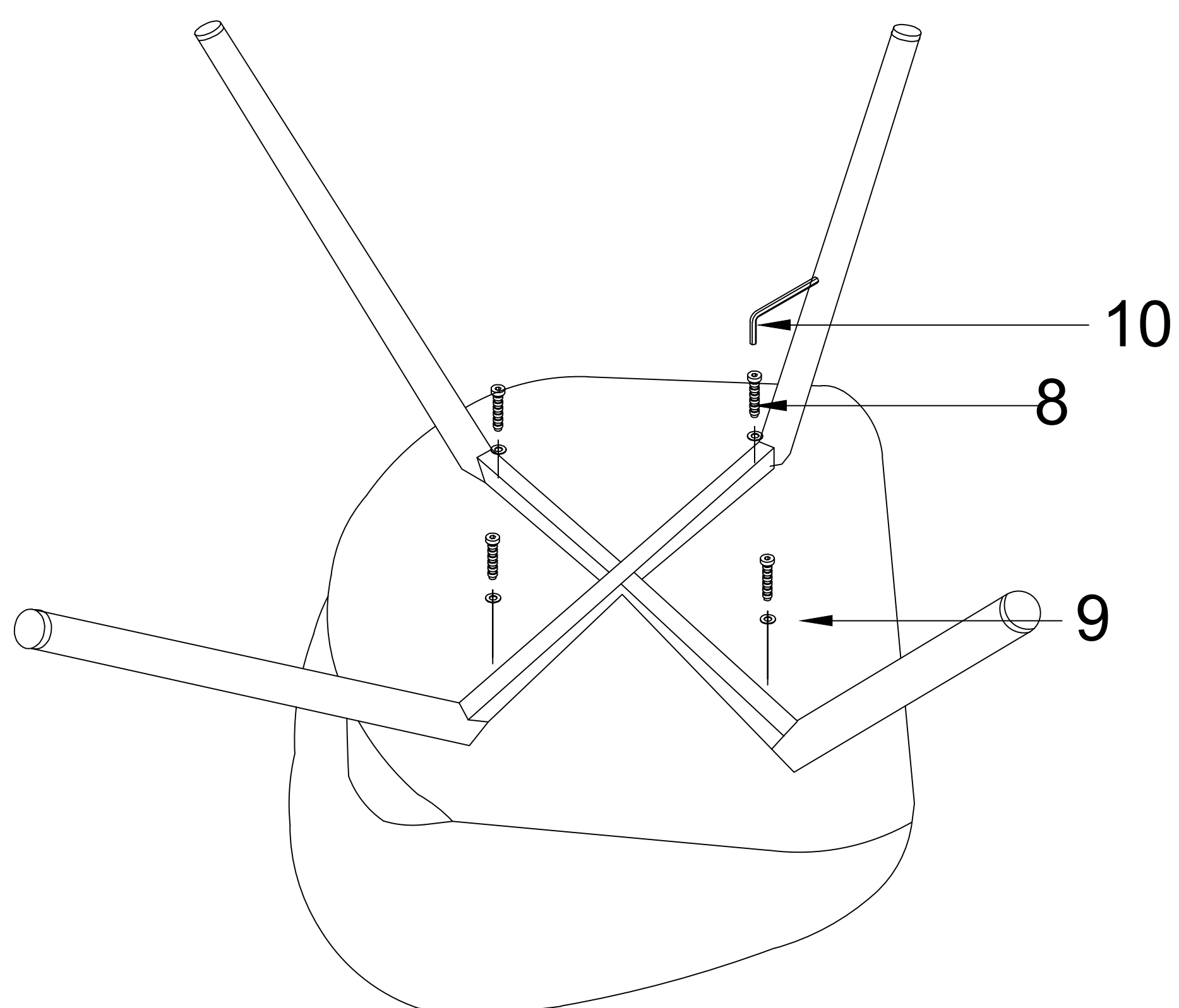
10.X1PC



1



2



3

