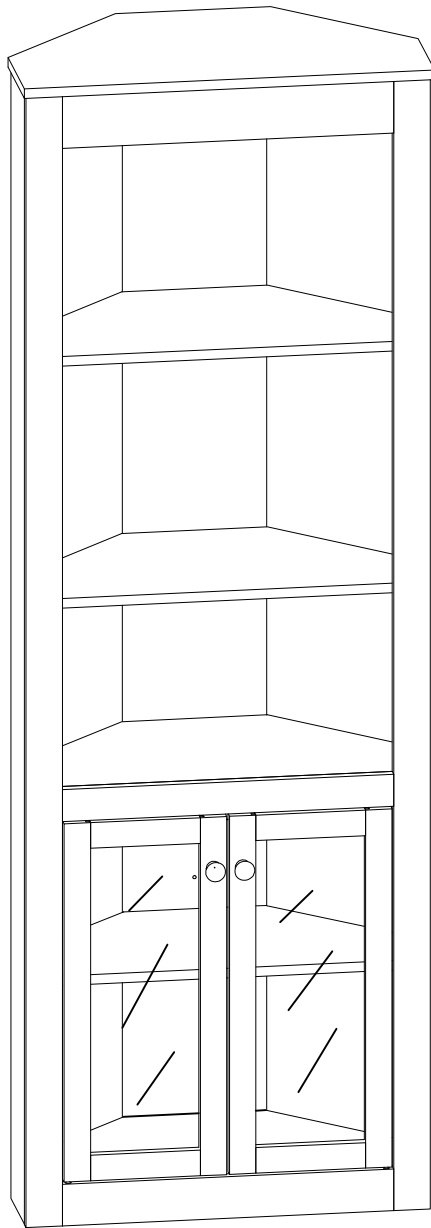
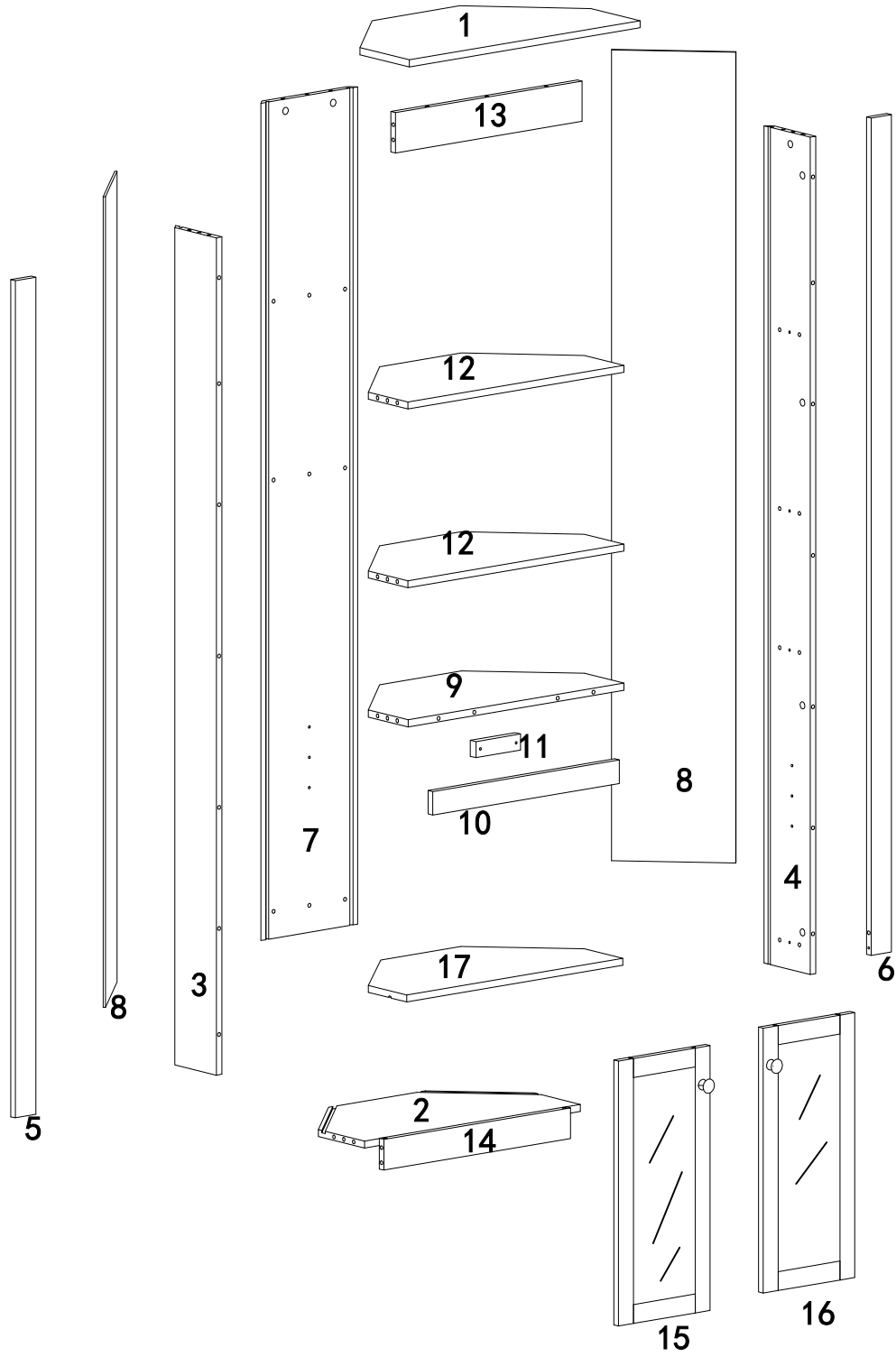











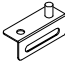










ASSEMBLY INSTRUCTIONS



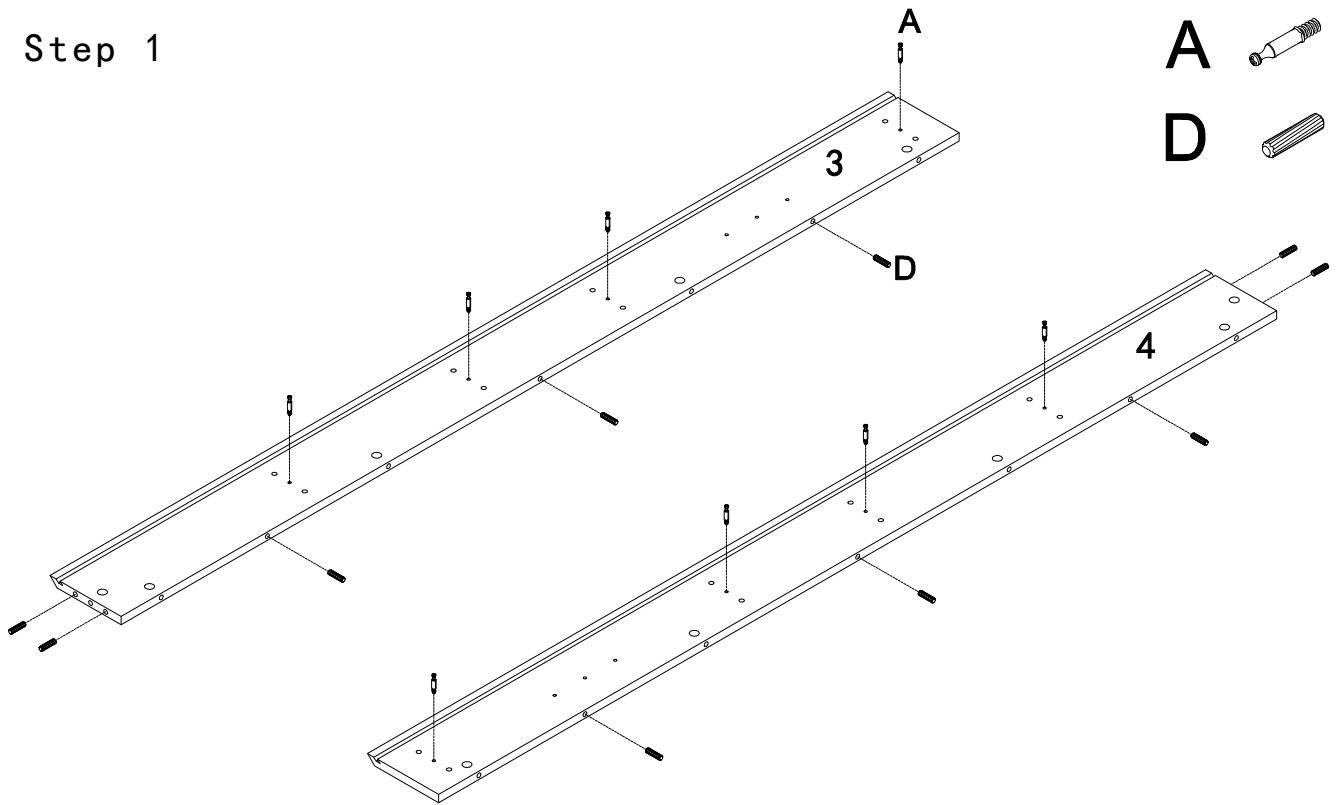
Parts List



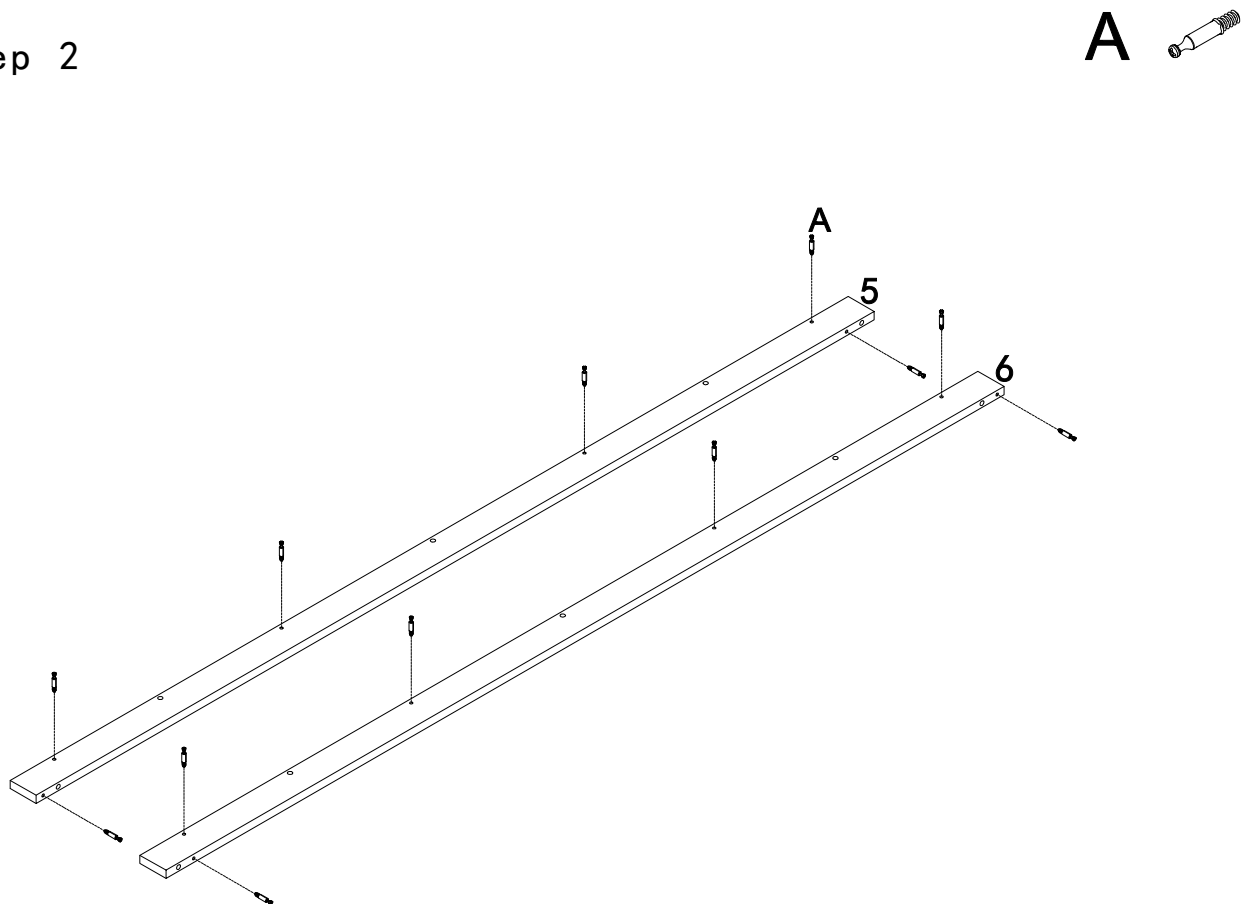
Hardware List

A		ø5*25mm	Bolt	29 pcs
B		ø15*12mm	Nut	29 pcs
C		ø25mm	Stiker	29 pcs
D		ø8*30mm	Wood Dowel	42 pcs
E		ø5*16mm	Shelf Support	3 pcs
F			Magnet	1 pcs
G		ø3.5*16mm	Screw	2 pcs
H		30x22x1mm	Iron Sheet	2 pcs
I				2 pcs
J				2 pcs
K			Iron Sheet	4 pcs
L		ø3.5*12mm	Screw	10 pcs
M		ø6*50mm	Bolt	8 pcs
N		M4	Allen Key	1 pcs
O		ø3.5*17mm	Screw	8 pcs
P				8 pcs
Q		ø23.5*21H mm	Handle	2 pcs
R		ø5/32*3/4	Bolt	2 pcs
S		ø4*25mm	Bolt	2 pcs
T			Anti-Tipping Kit	2 sets

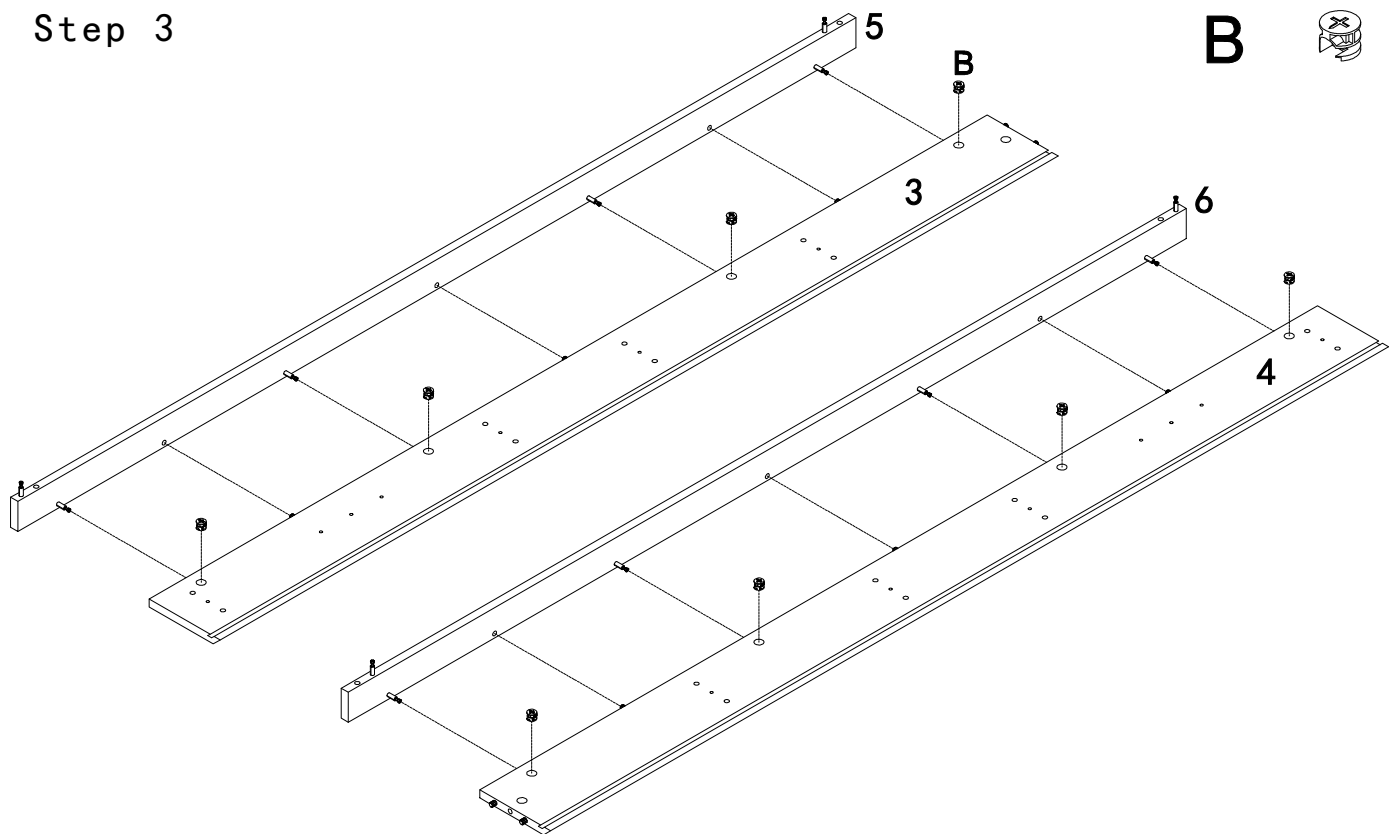
Step 1



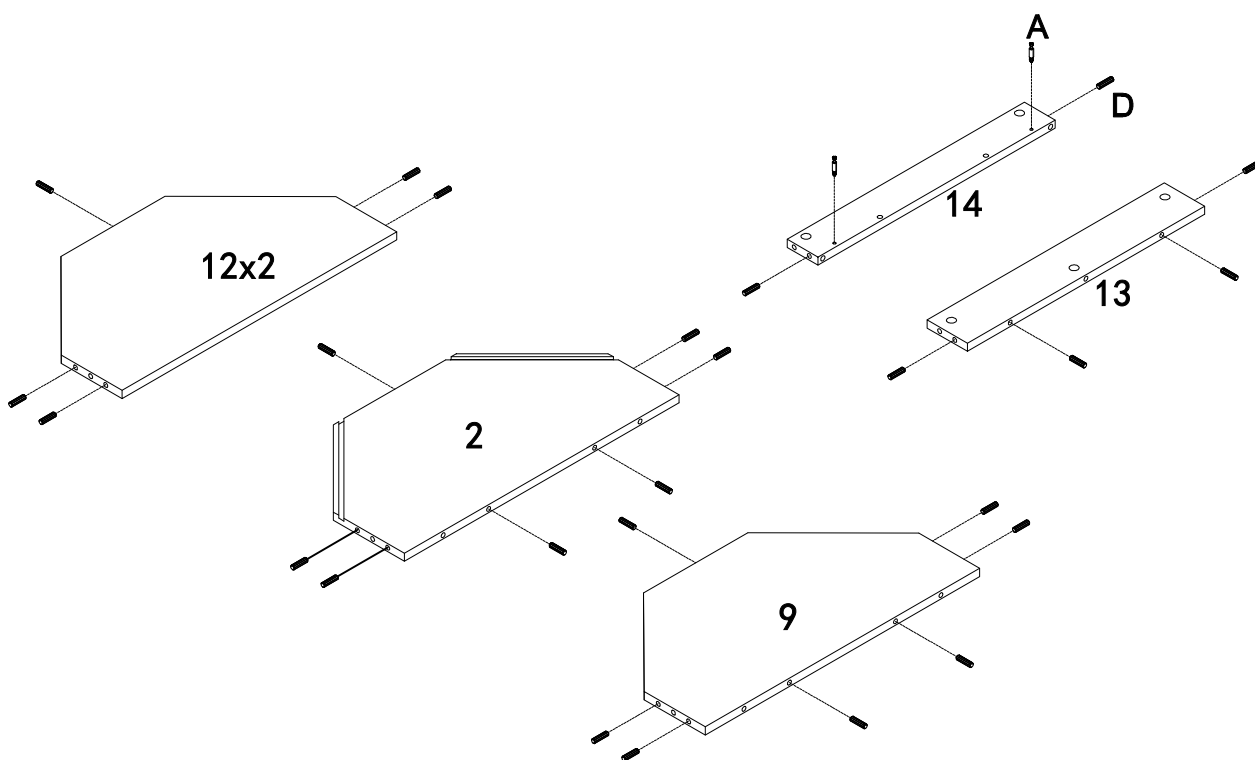
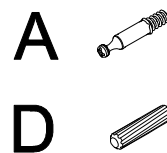
Step 2



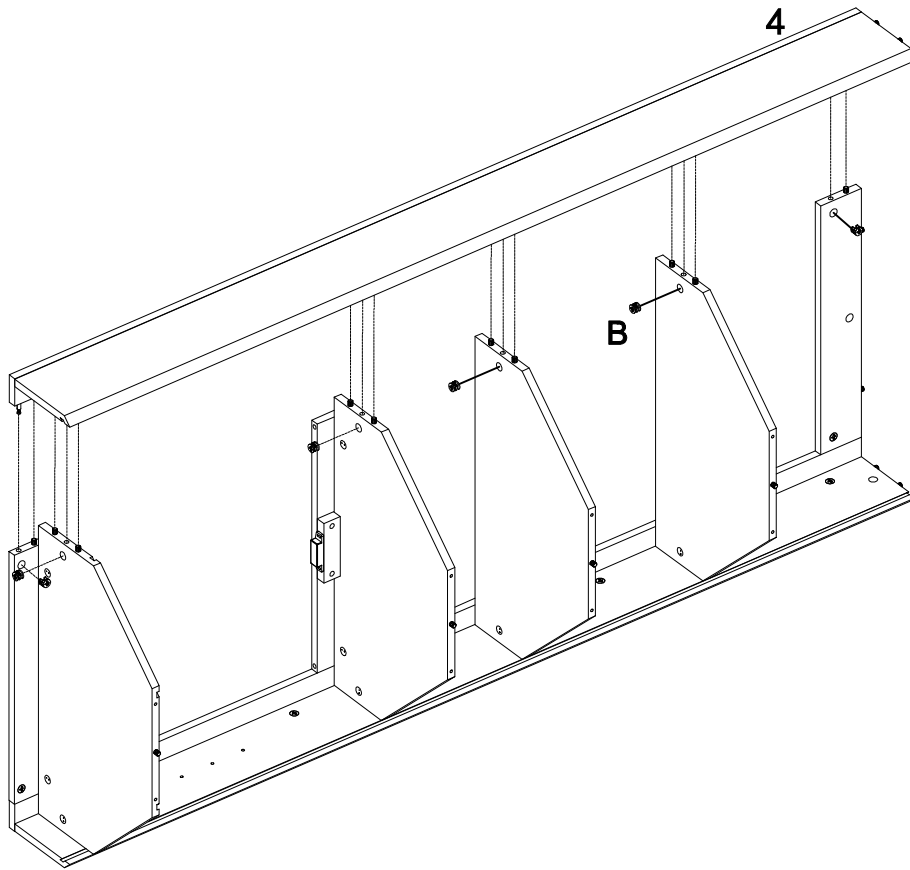
Step 3



Step 4



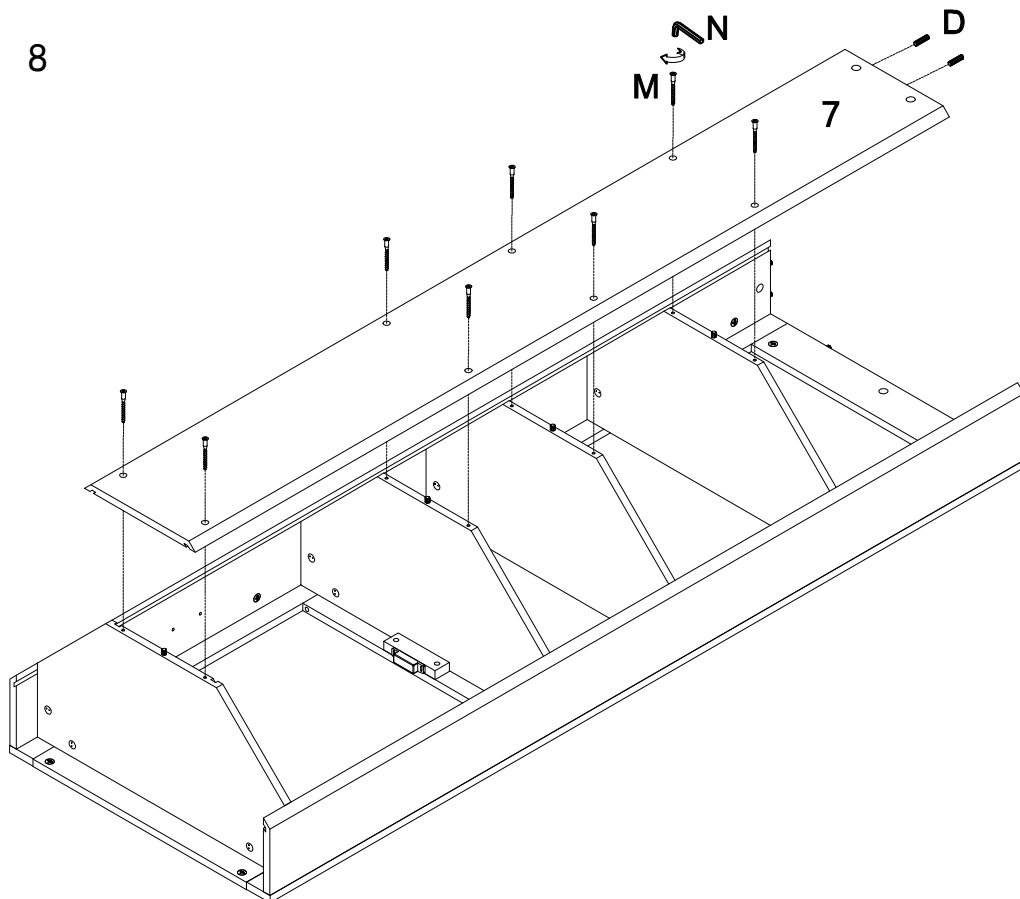
Step 7



B



Step 8



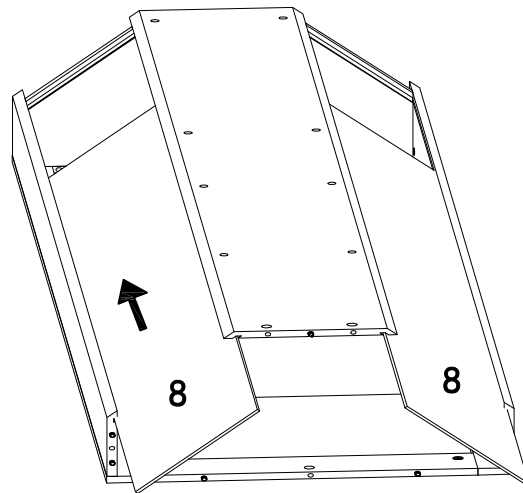
D

M

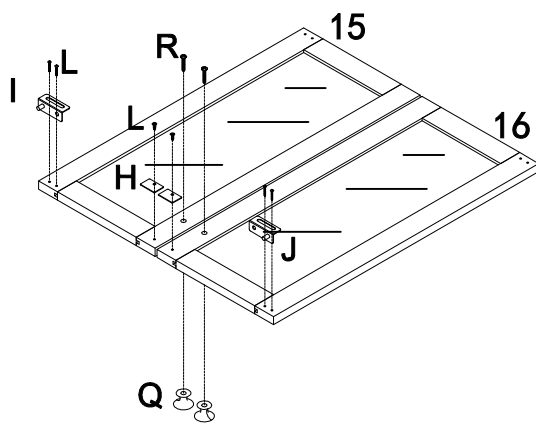
N









Step 9



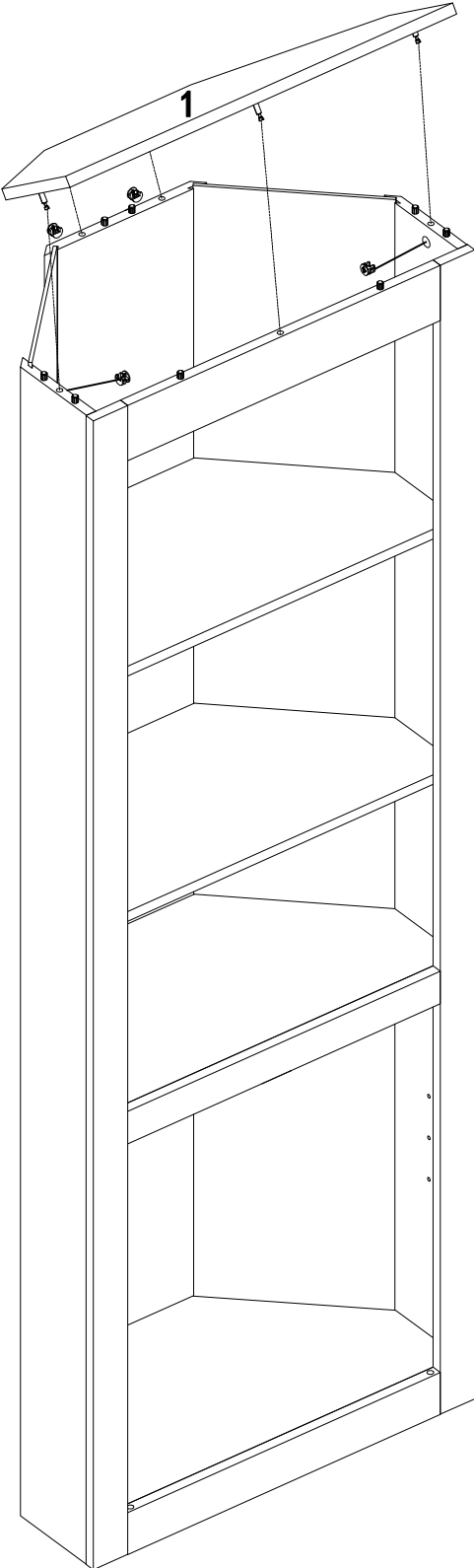
Step 10





- H 
- I 
- L 
- J 
- Q 
- R 

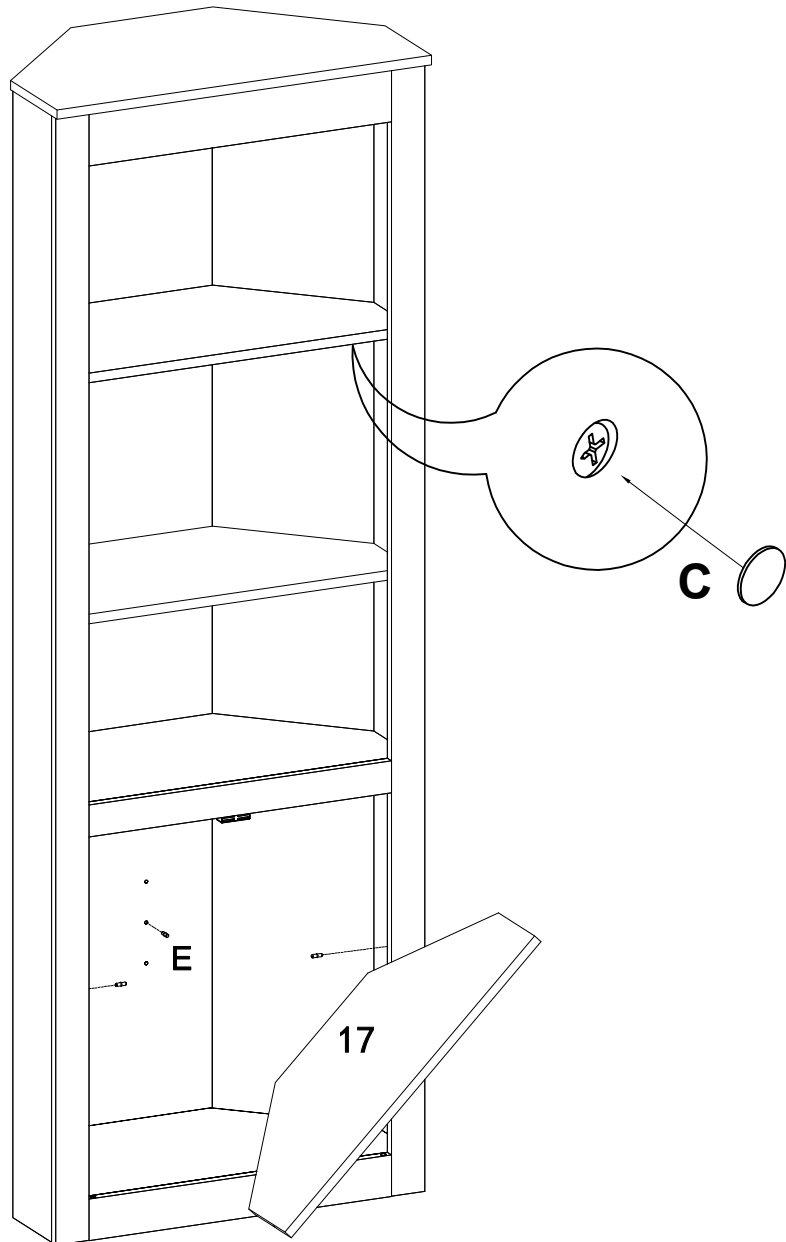
Step 11

B



Step 12

C 
E 






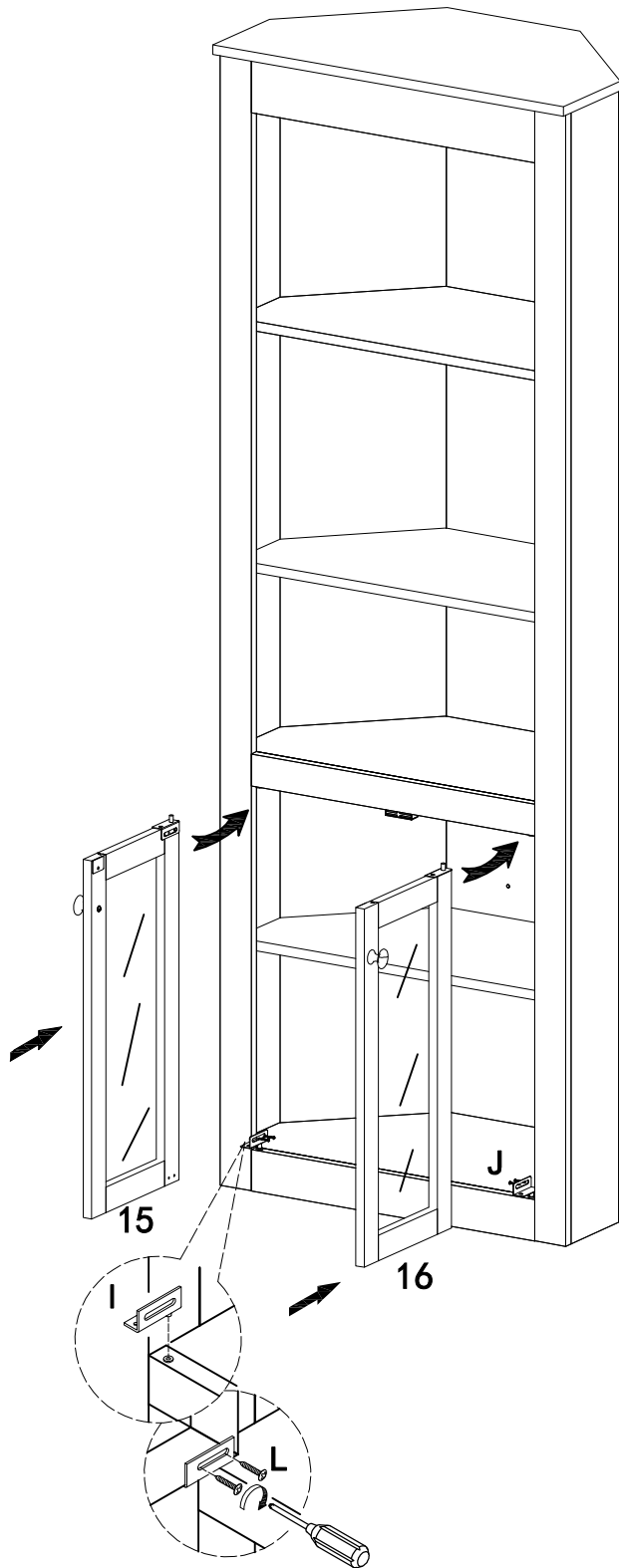
Step 13

K 



Step 14

- L 
- I 
- J 

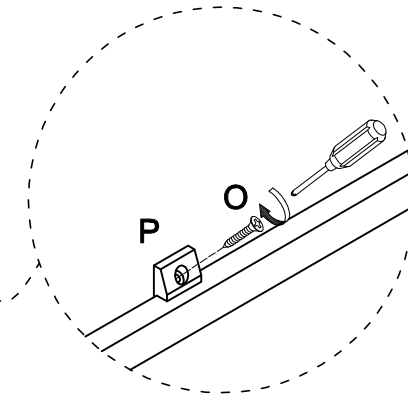
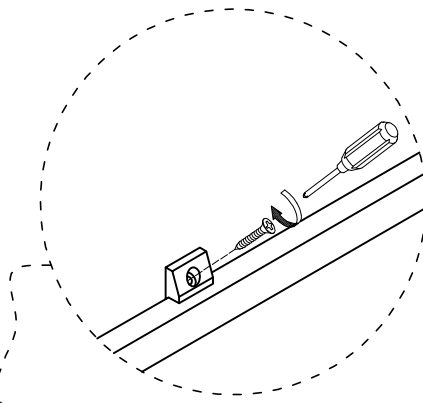
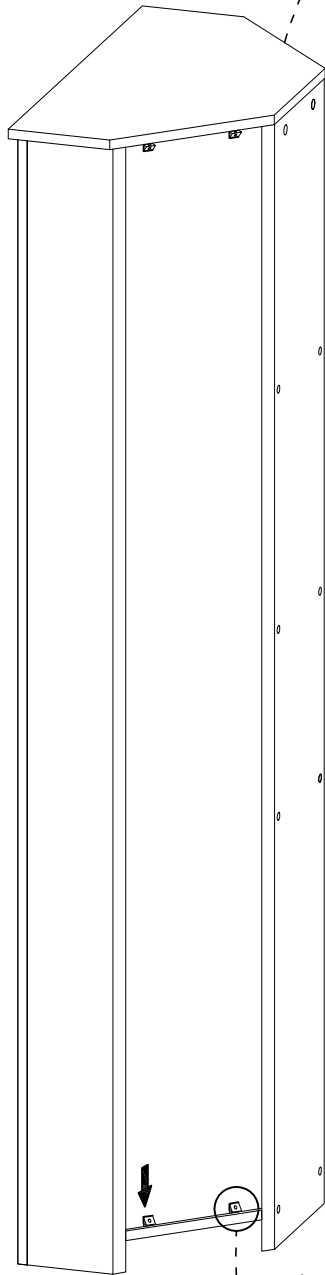


Step 15

O



P



Step 16

