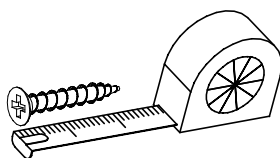
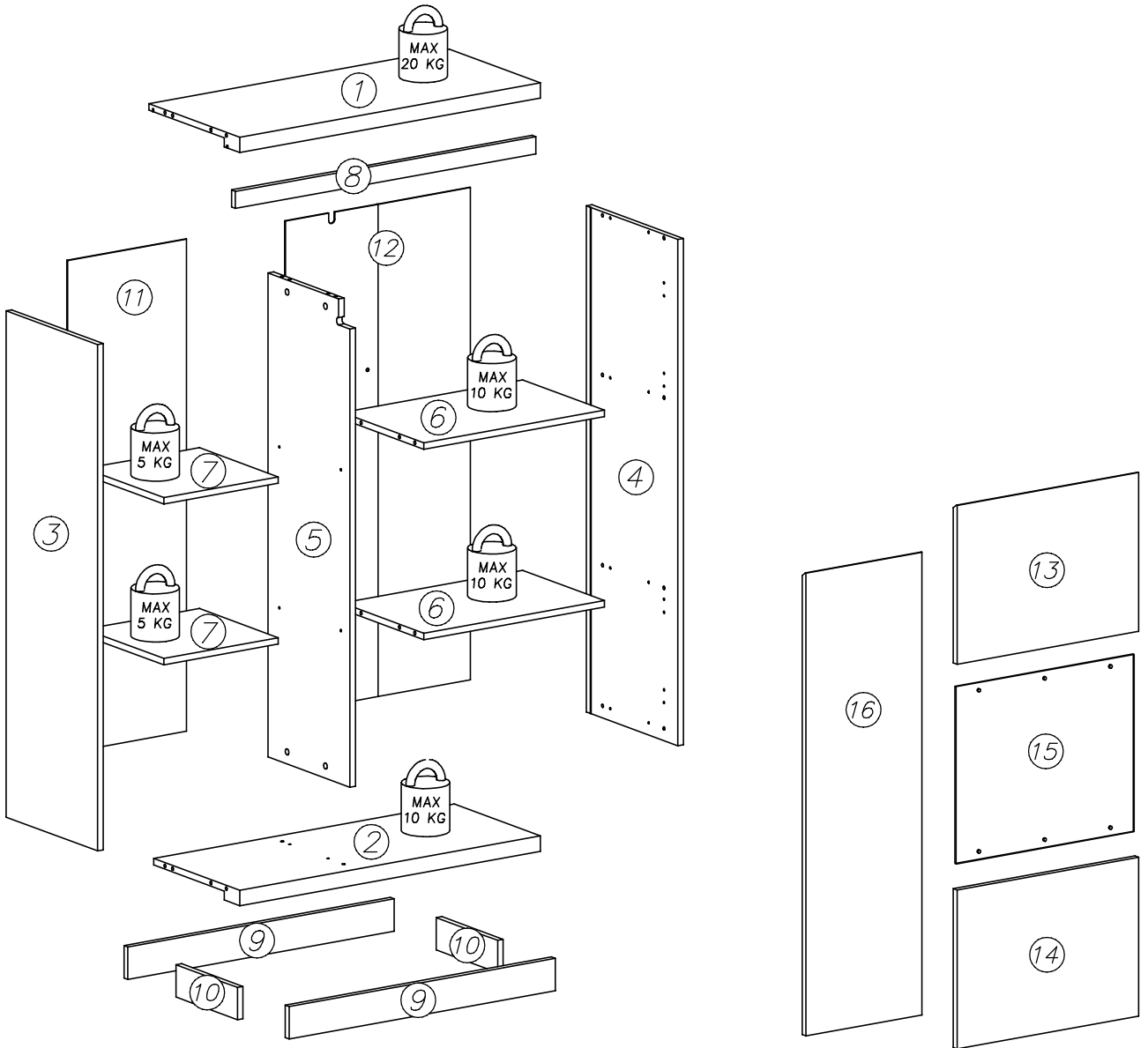
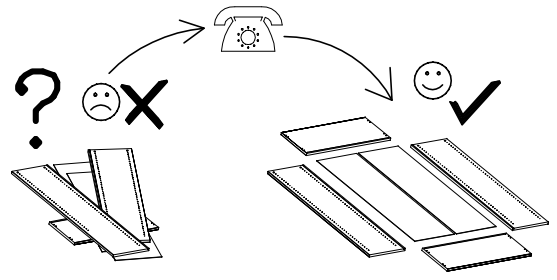
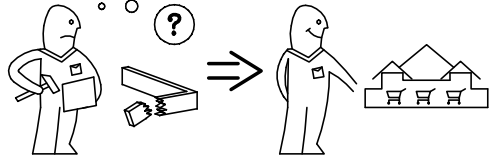
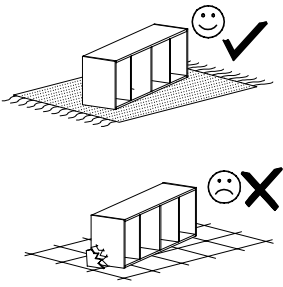
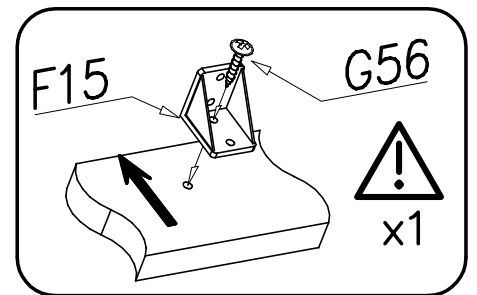
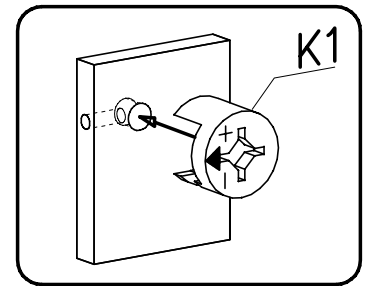
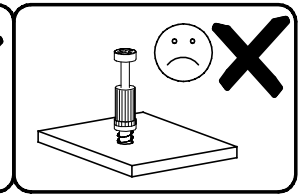
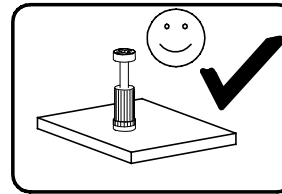
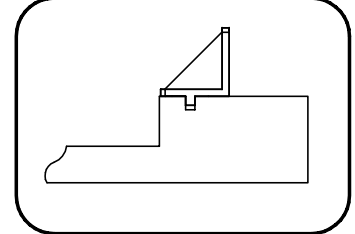
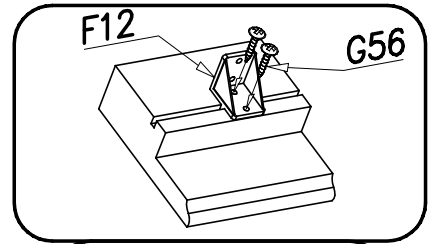
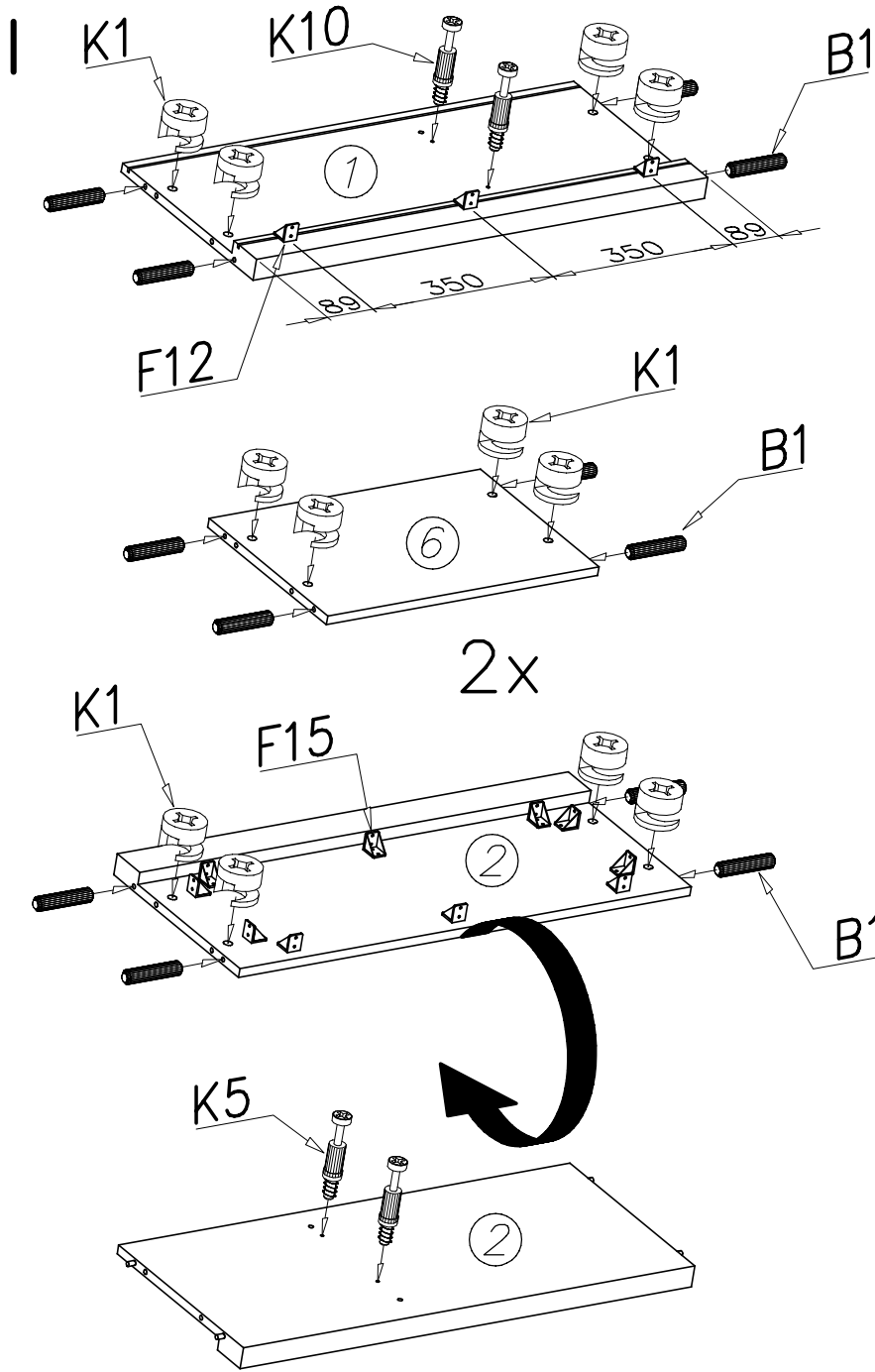
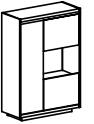


nr	L[mm]	B[mm]	T[mm]	Menge	Colli
1	877	379	38	1	2/5
2	877	359	38	1	2/5
3	1253	381	16	1	1/5
4	1253	381	16	1	1/5
5	1198	341	16	1	1/5
6	527	341	16	2	1/5
7	334	328	16	2	2/5
8	877	50	16	1	2/5
9	777	80	16	2	2/5
10	256	80	16	2	2/5
11	1218	347	3	1	1/5
12	1218	540	3	1	1/5
13	530	393	16	1	2/5
14	530	382	16	1	2/5
15	520	450	4	1	2/5
16	1145	338	16	1	1/5
BESCHLAGE					1/5

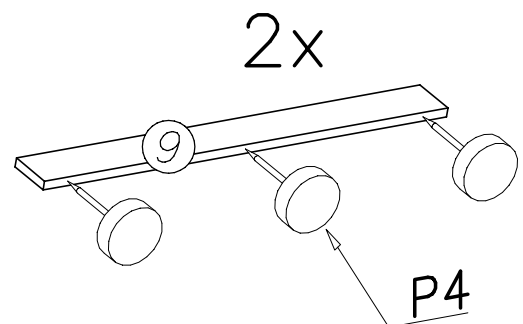
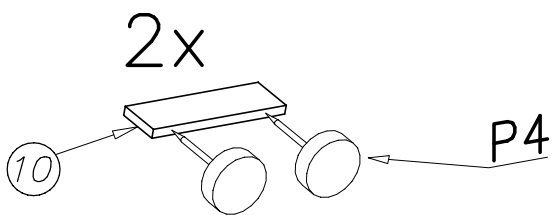


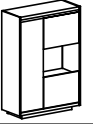
G28 4x60 x...(1)	F4 x...(4)	I7 x...(20)	P4 x...(10)	F2 x...(8)
U6 ø8x50 x...(1)	S2 x...(11)	M11 x...(1)	I1 x...(9)	C4 Z350D x...(7)
K1 ø15x12 x...(20)	F12 x...(3)	F15 x...(10)	I3 x...(6)	D4 PZ350D x...(7)
K10 x...(20)	B1 ø8x35 x...(20)	G56 4x16 x...(68)	W3 x...(4)	G34 3,5x16 x...(41)



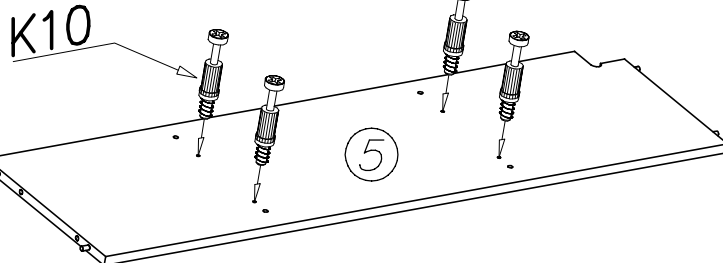
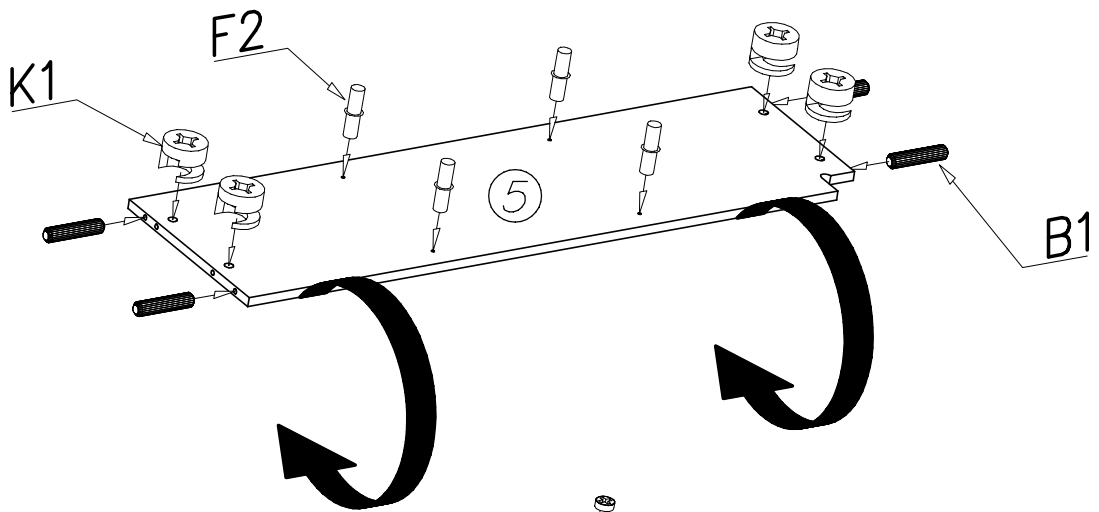
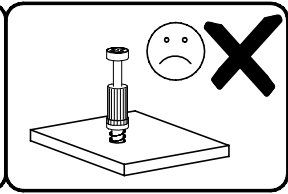
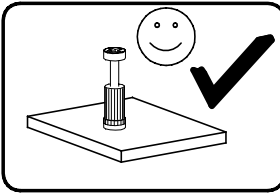
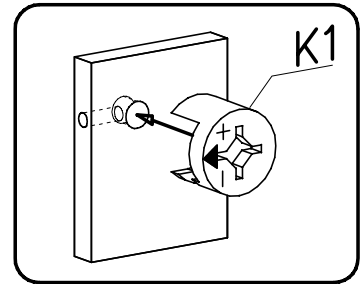
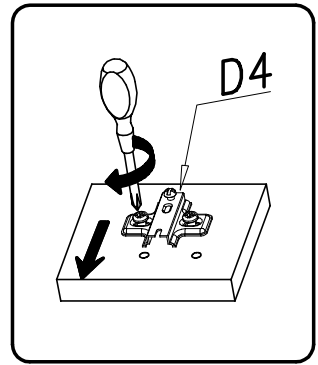
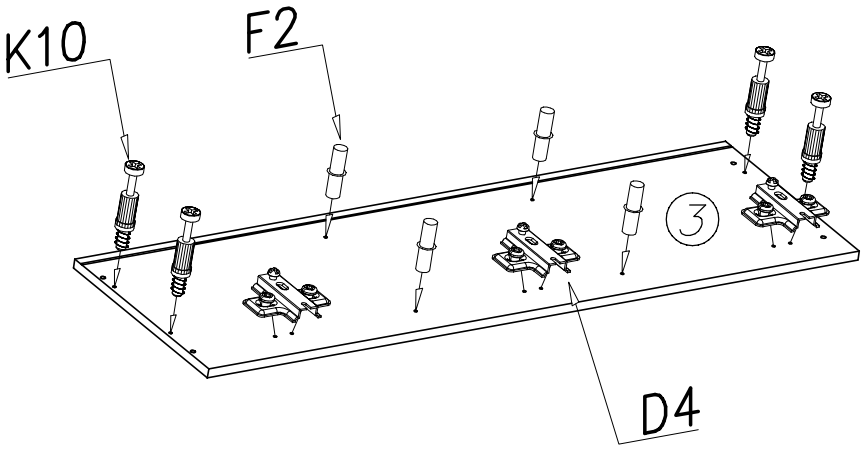
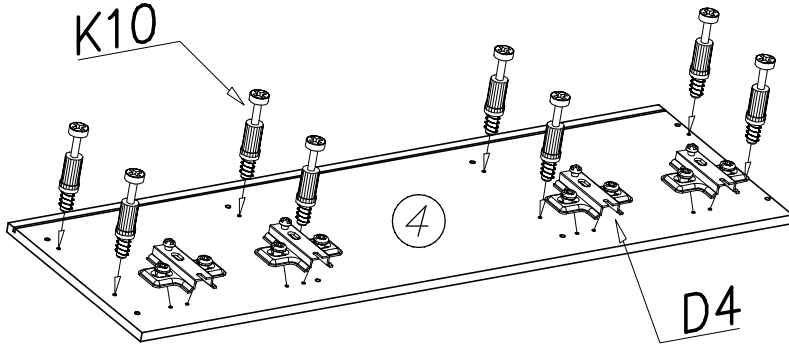


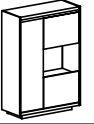
II



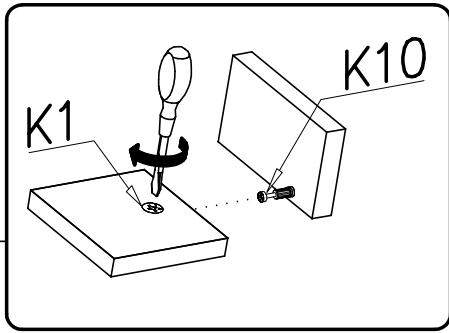
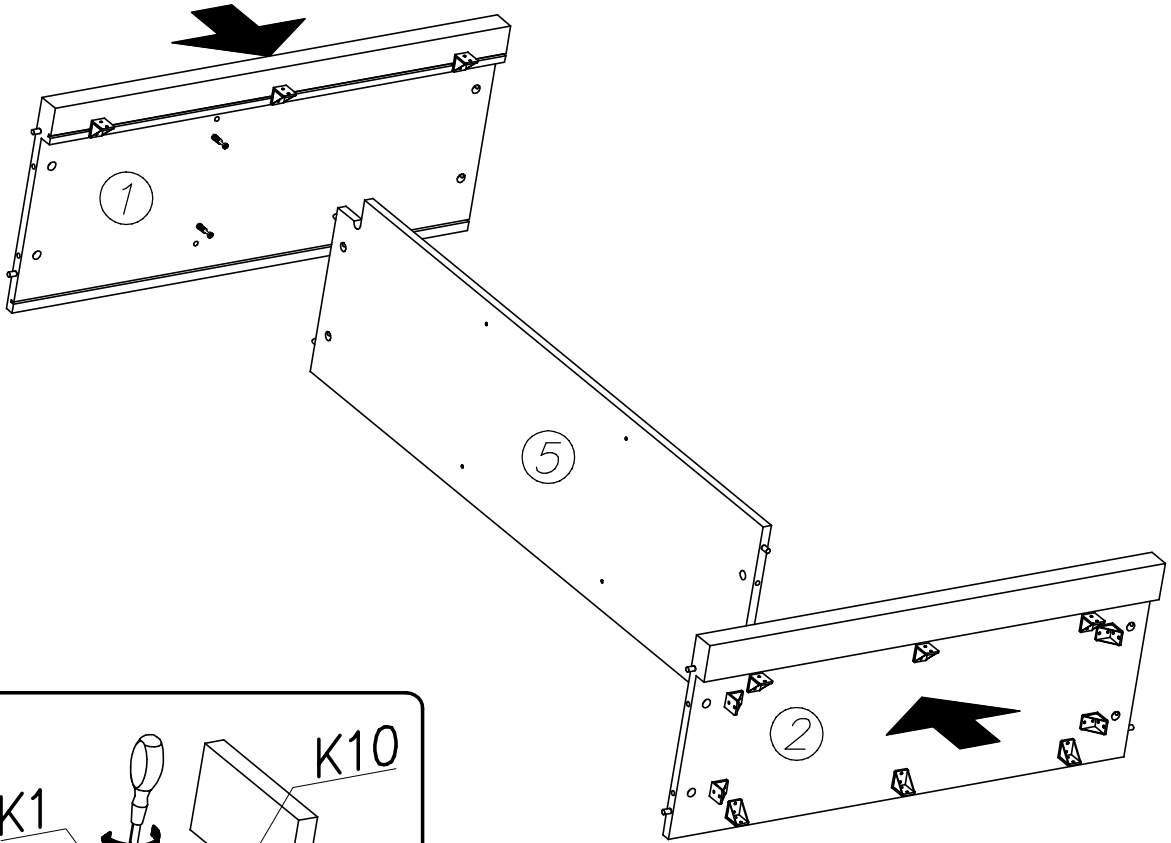


III

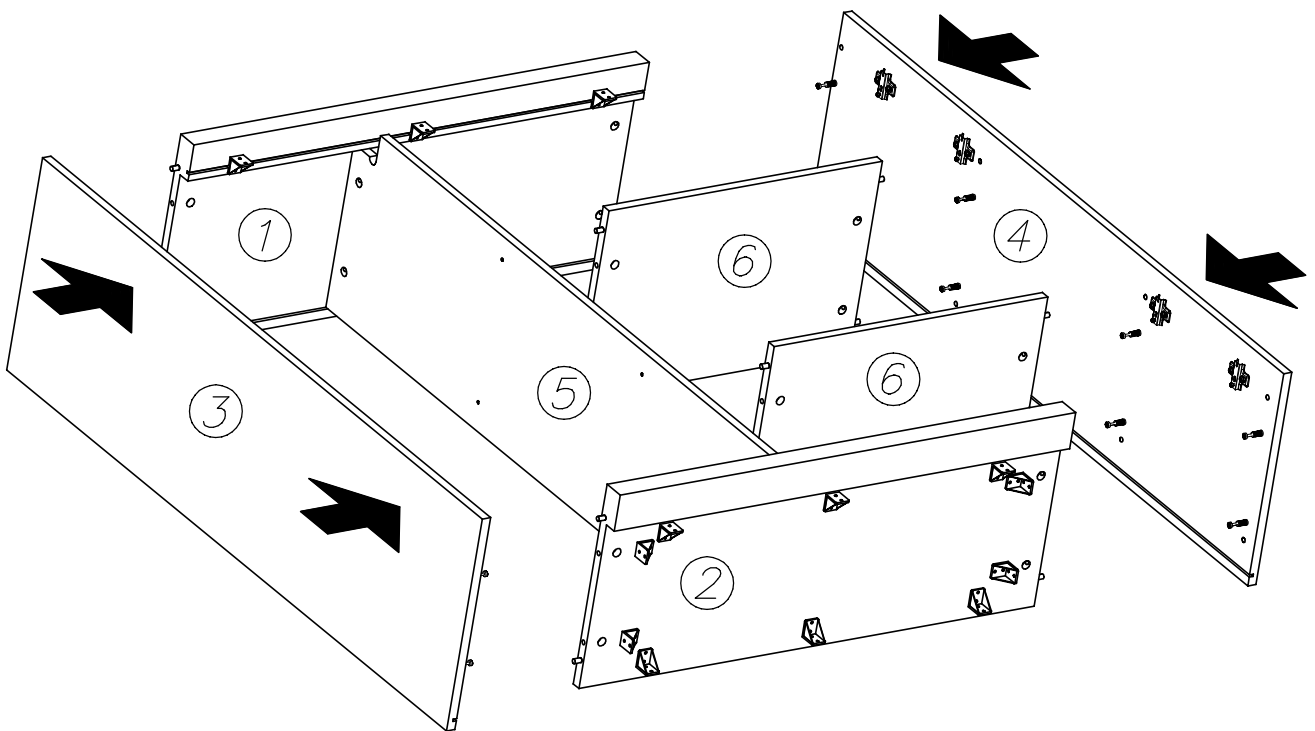


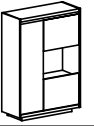


# IV

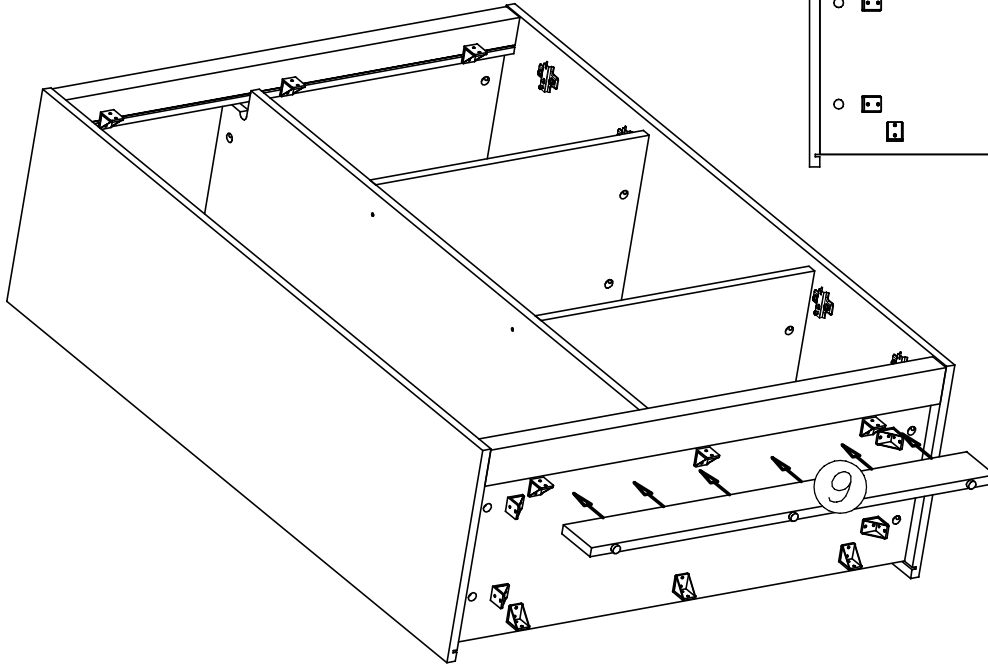
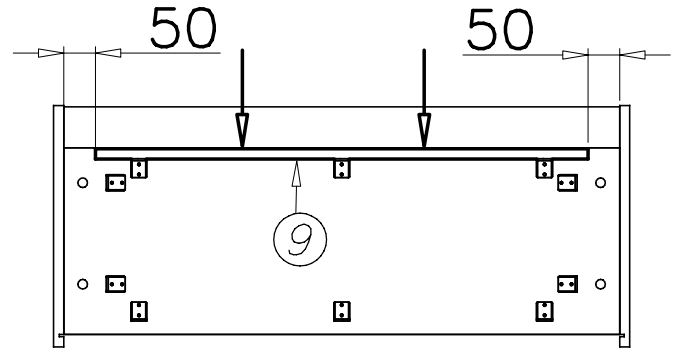


# V

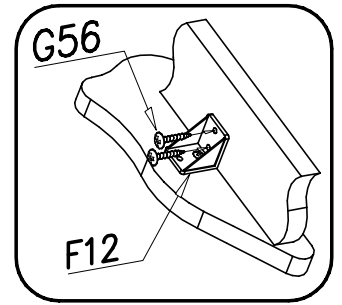




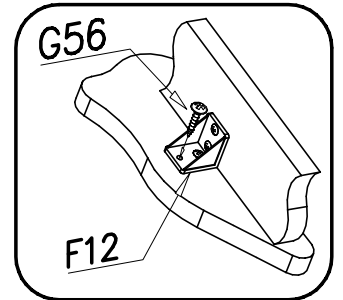
# VI



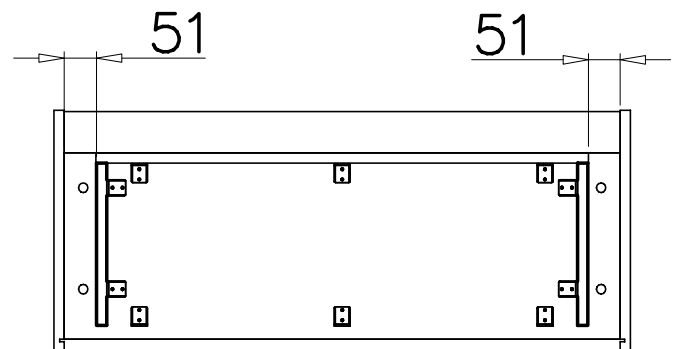
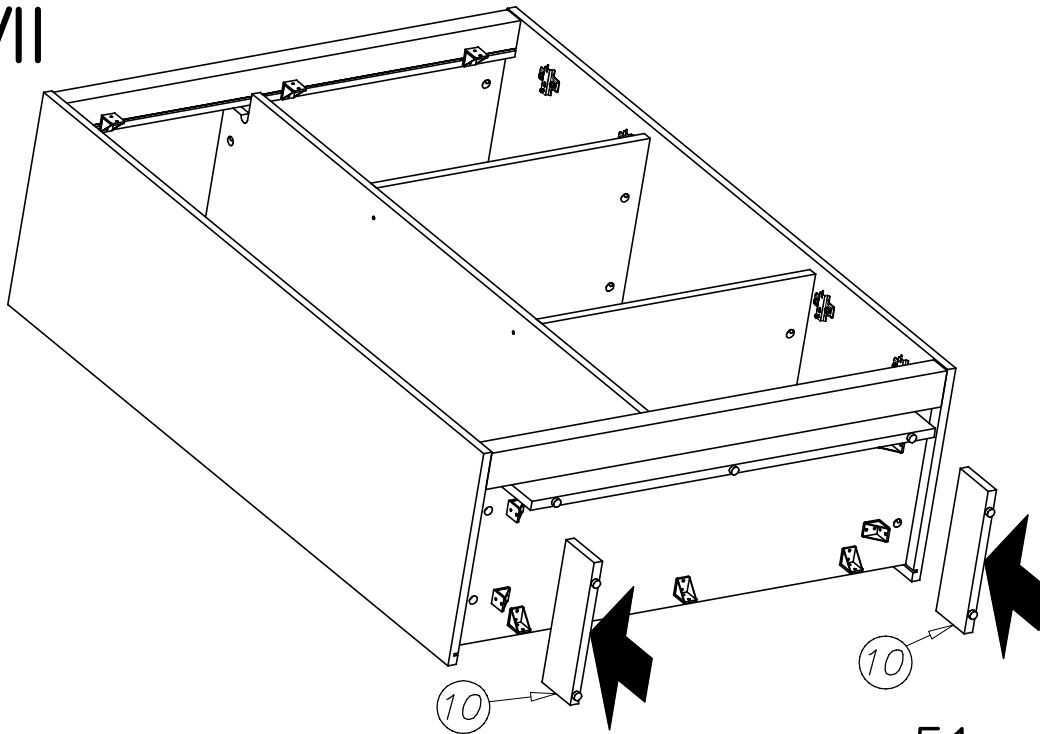
1.

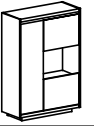


2.

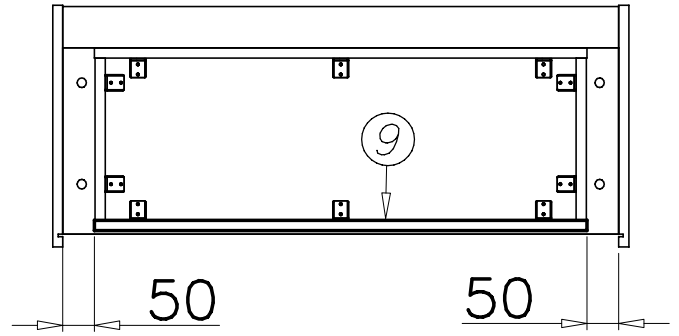
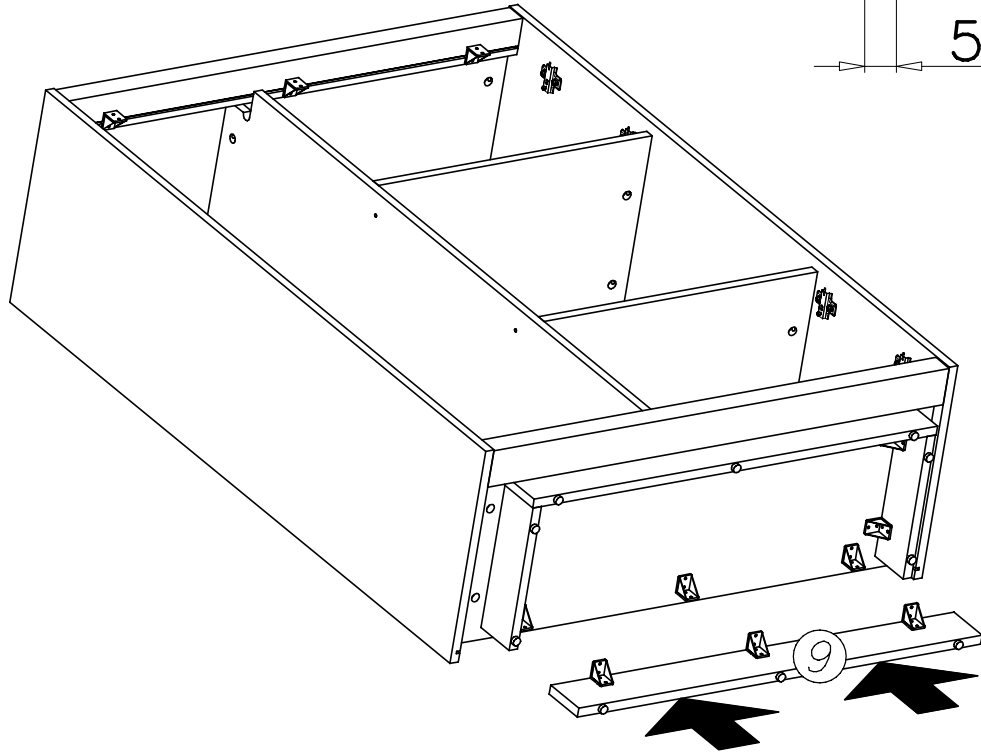


# VII

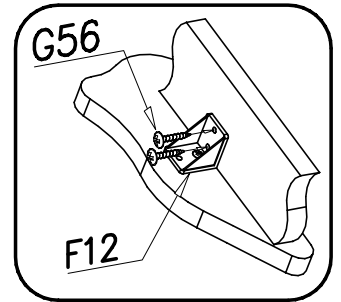




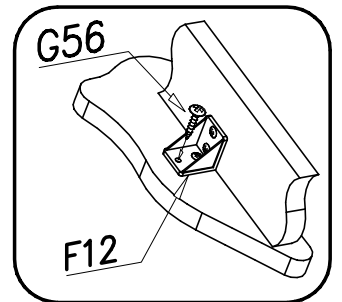
# VIII



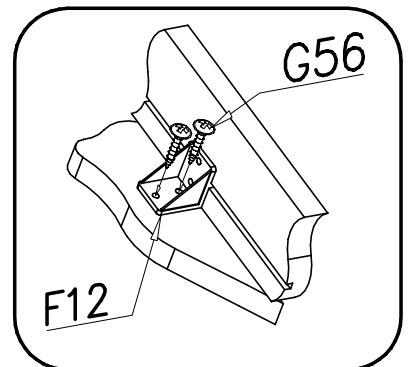
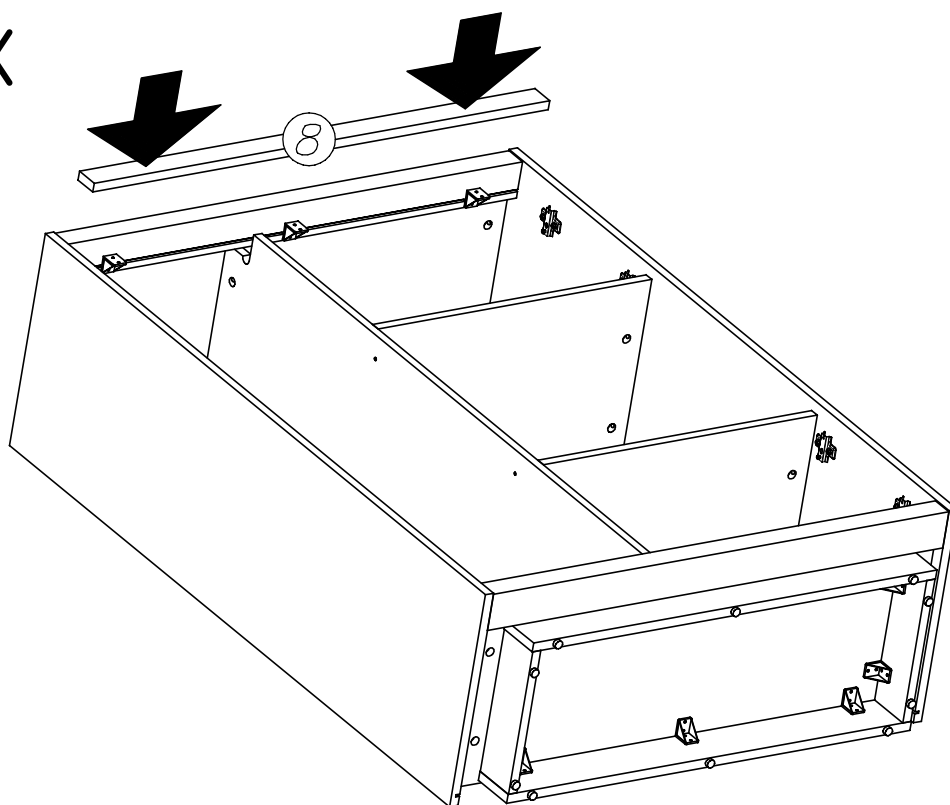
1.

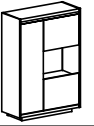


2.

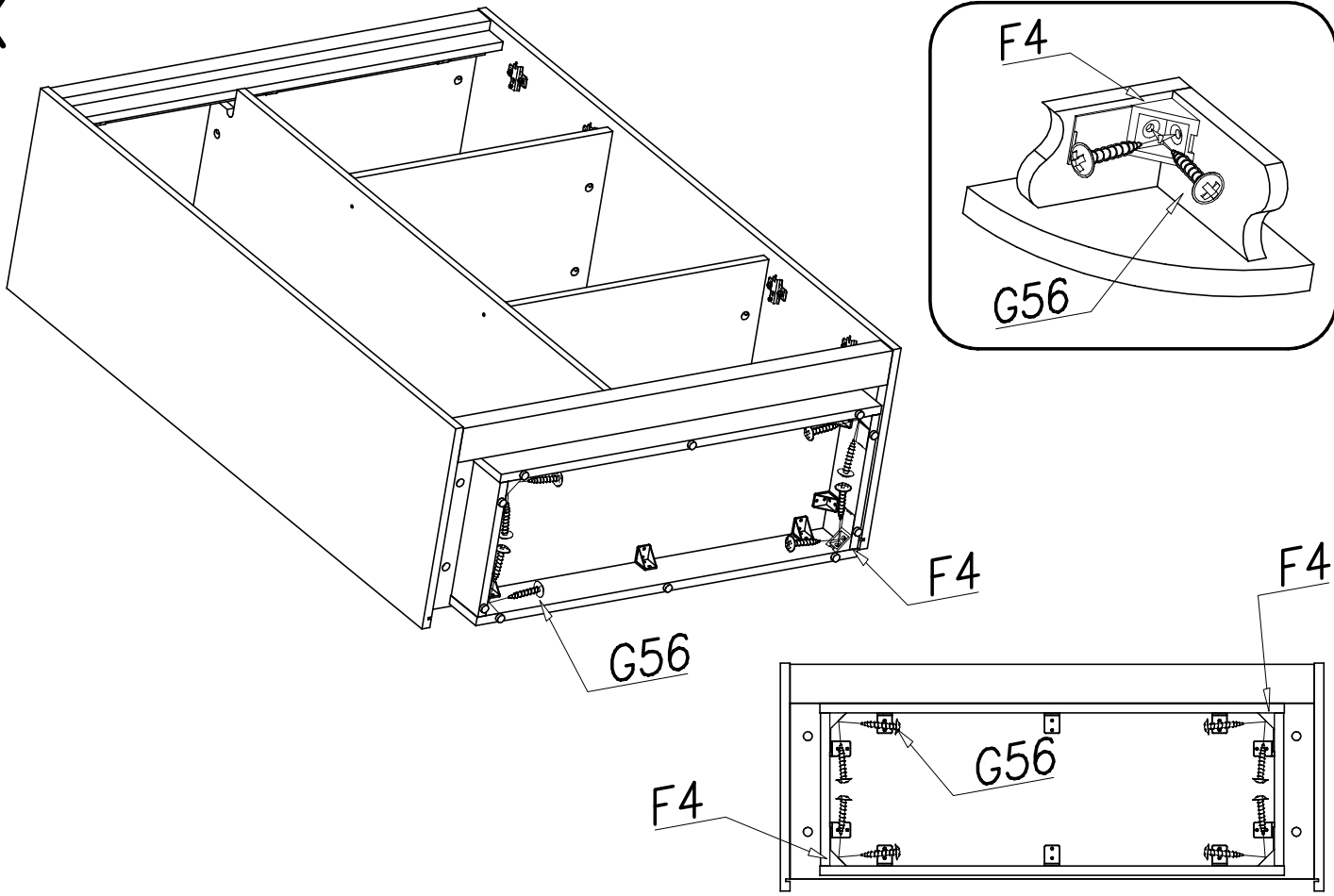


# IX

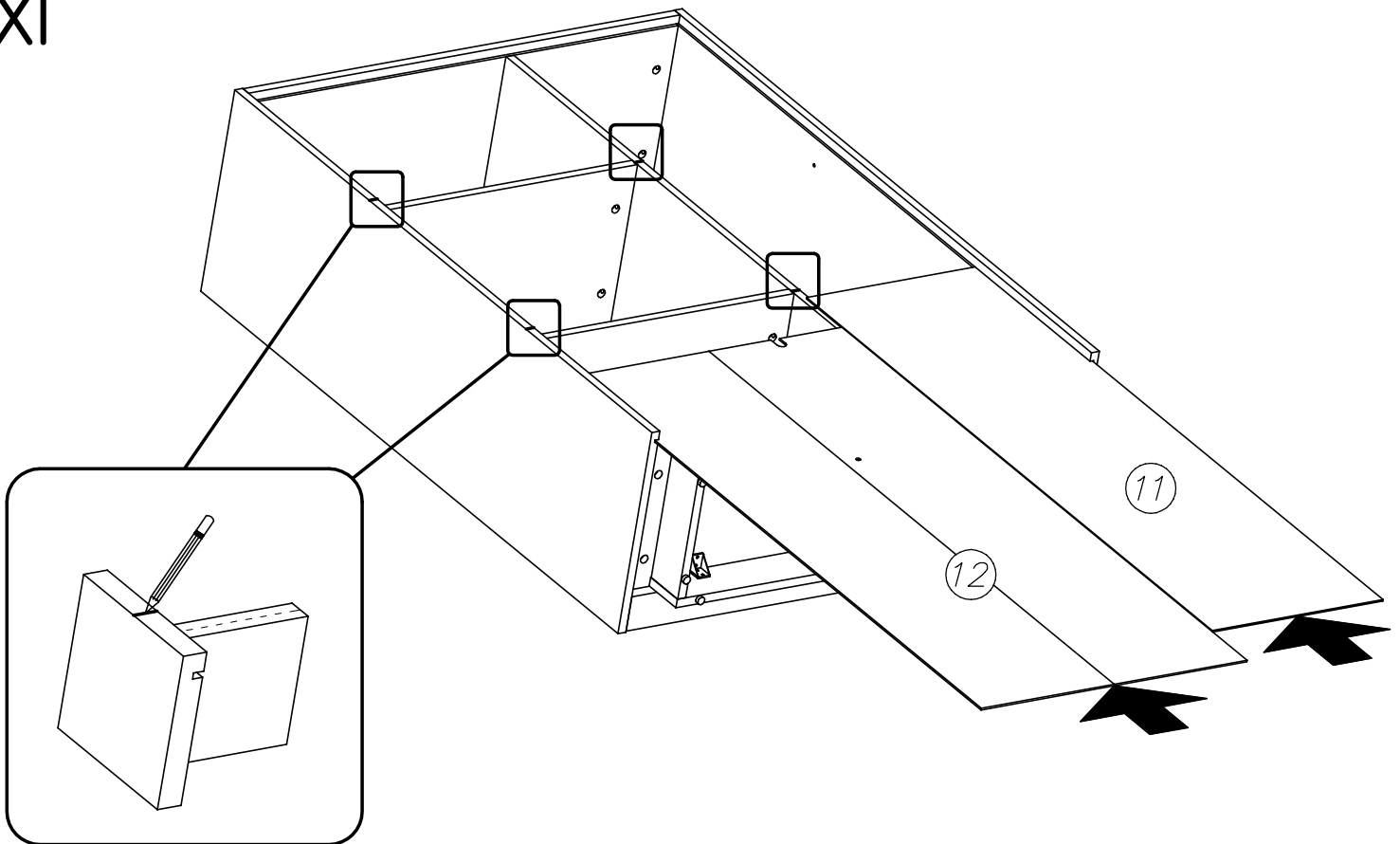


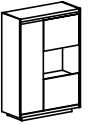


X

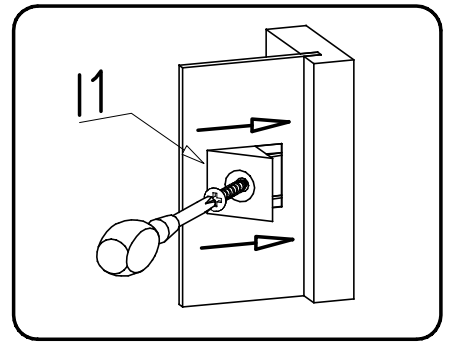
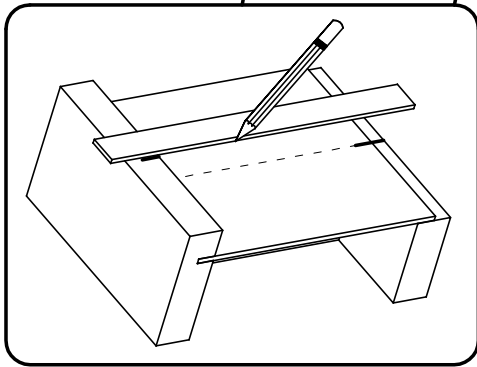
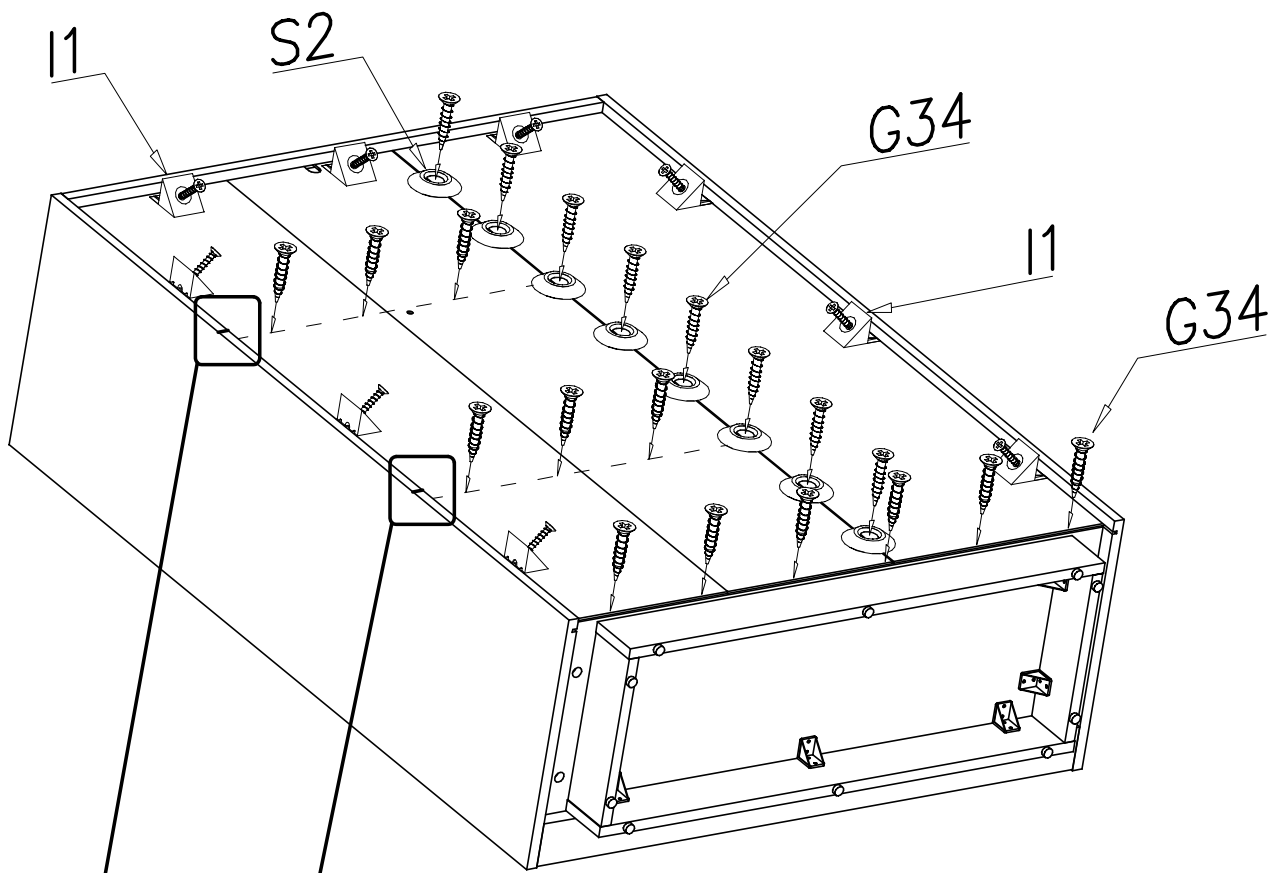


XI

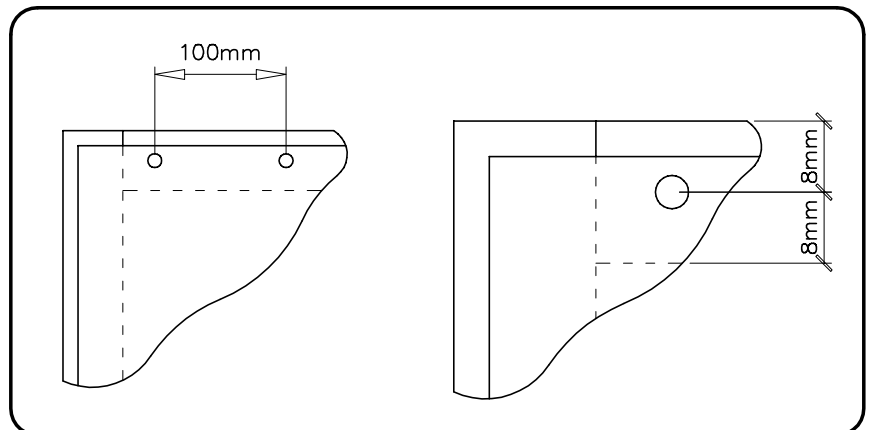
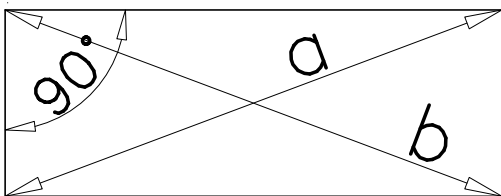


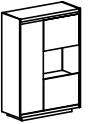


# XII

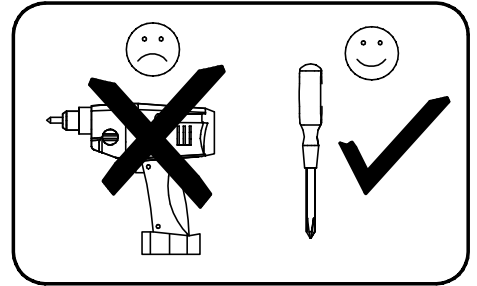
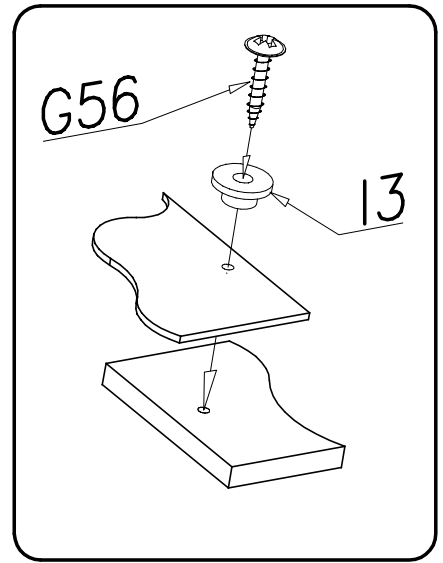
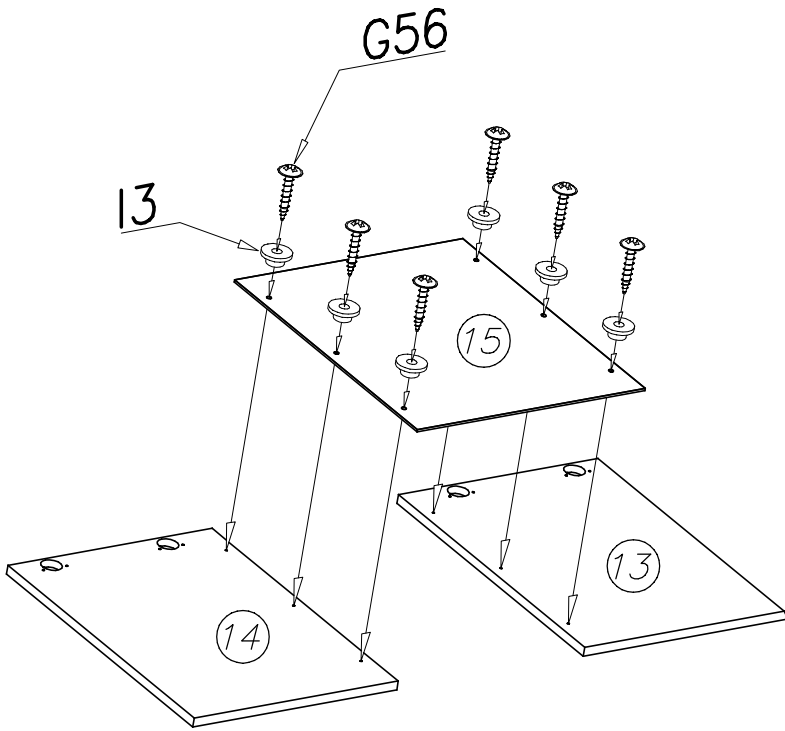


$$a = b$$

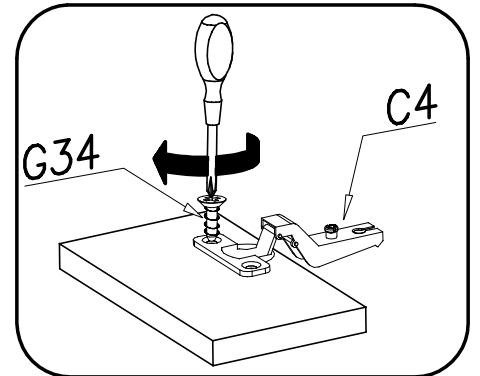
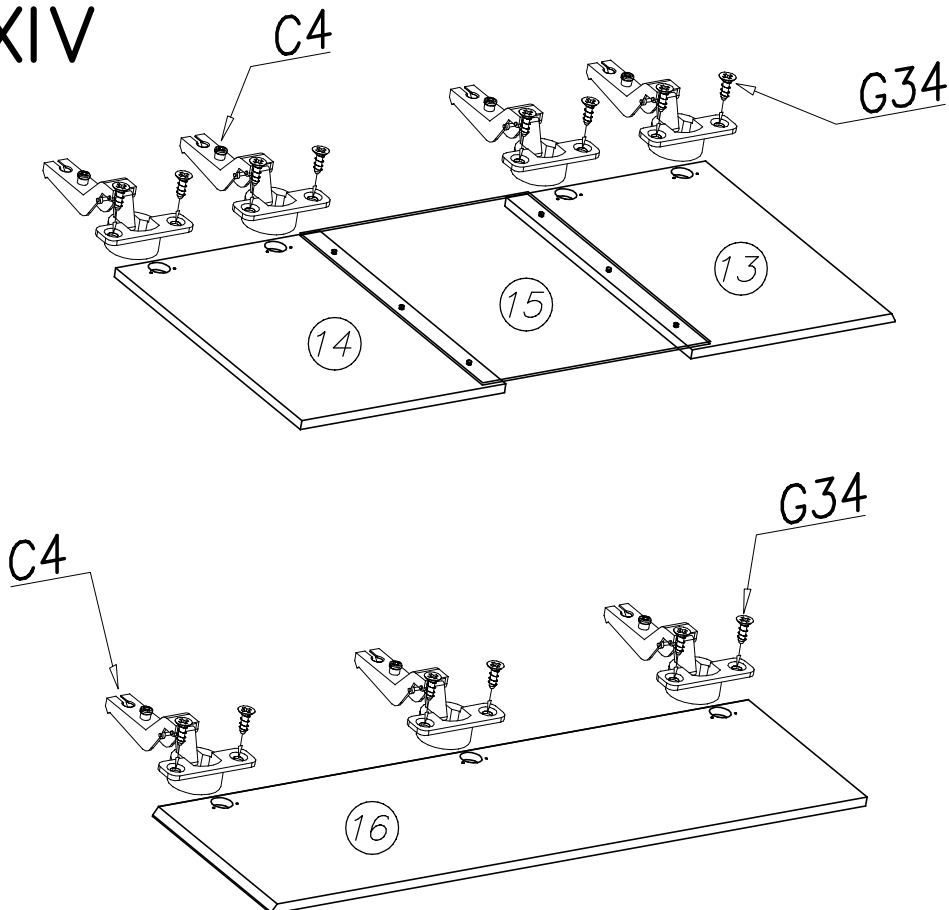


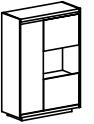


# XIII

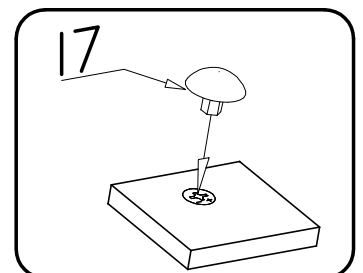
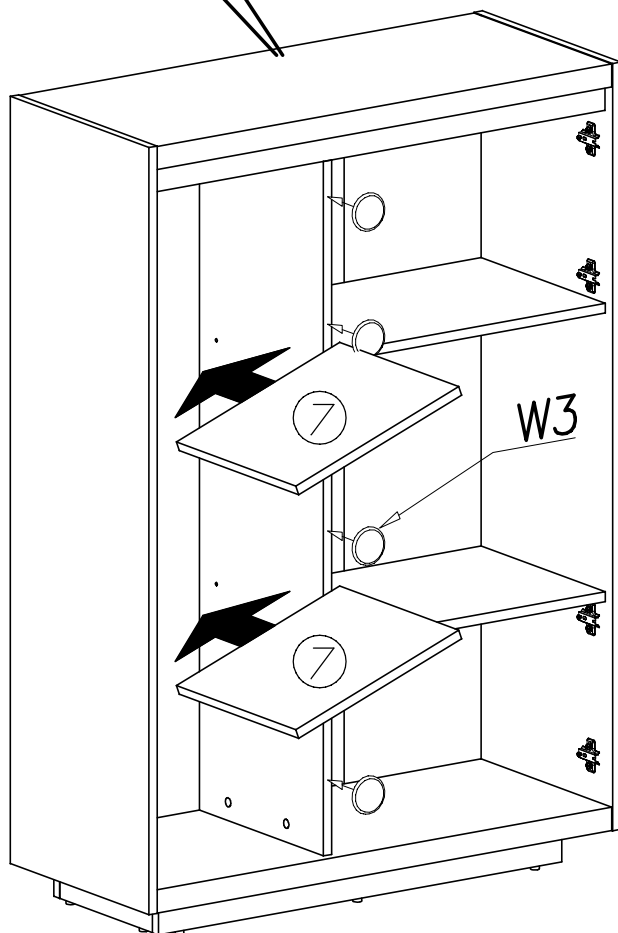
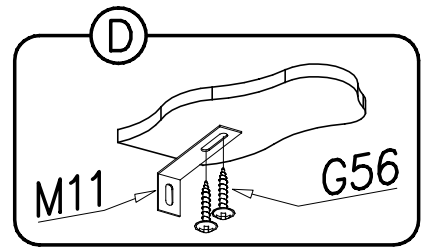
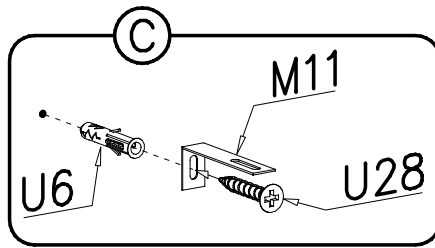
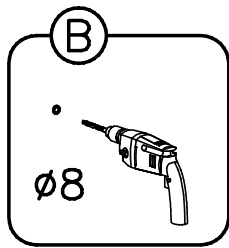
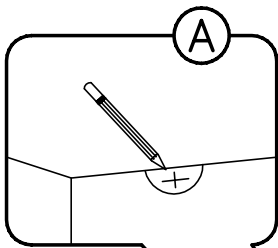


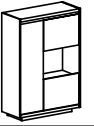
# XIV



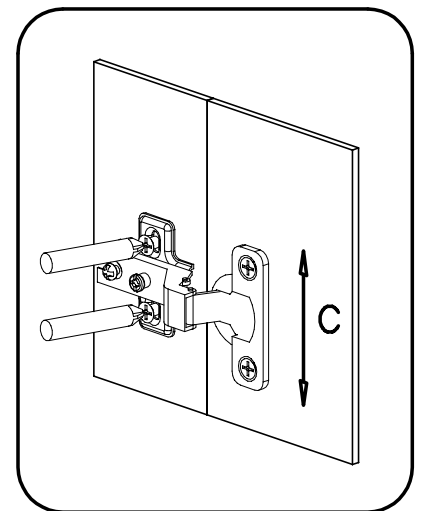
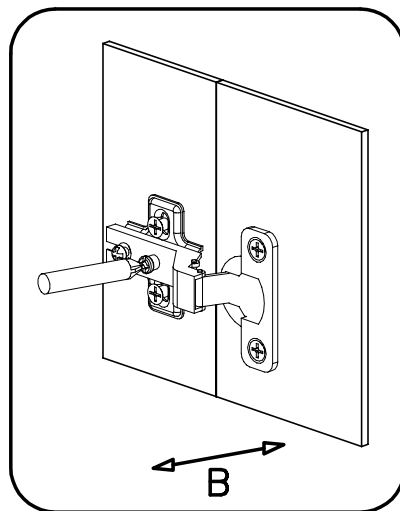
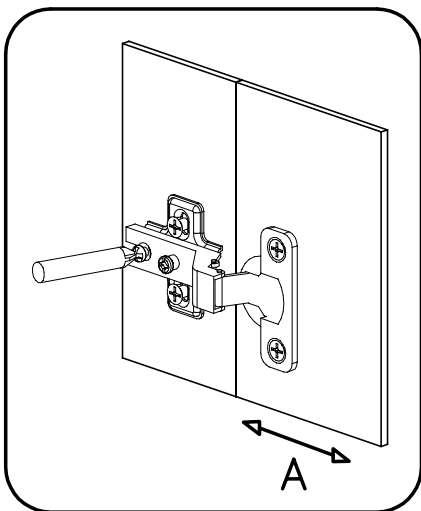
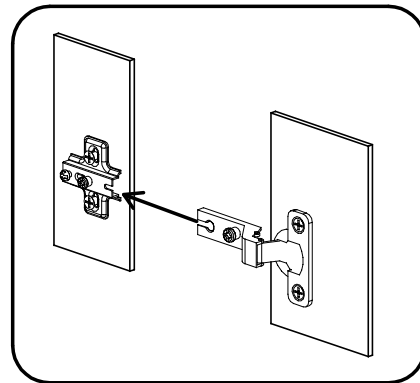
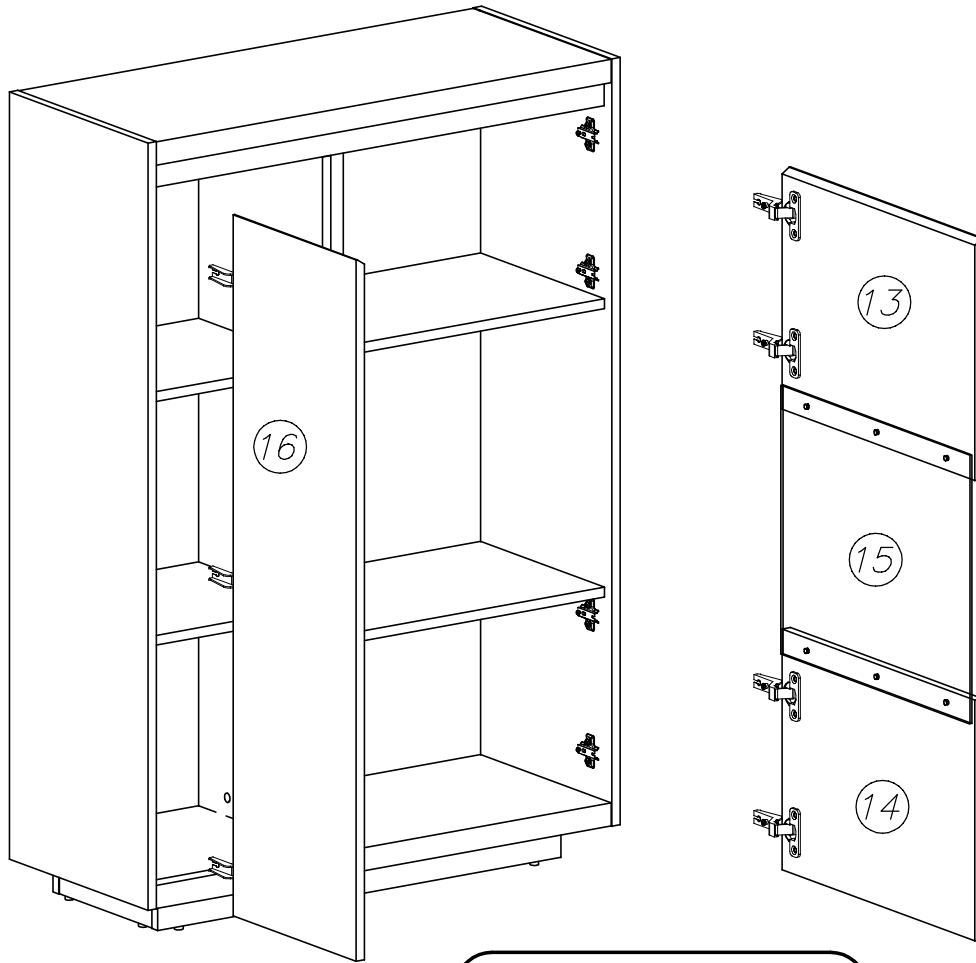


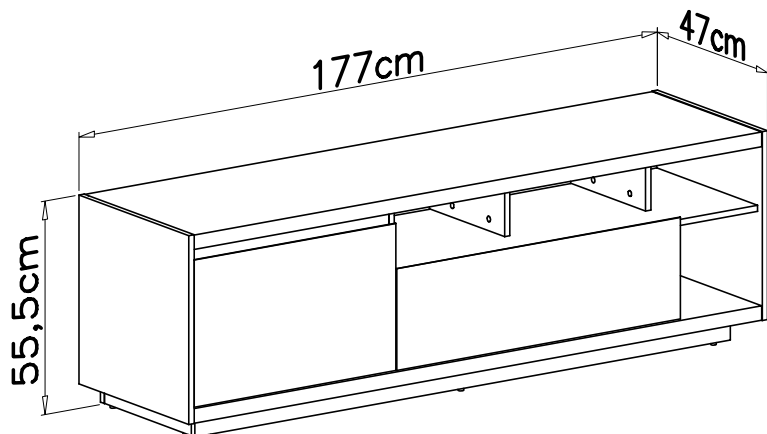
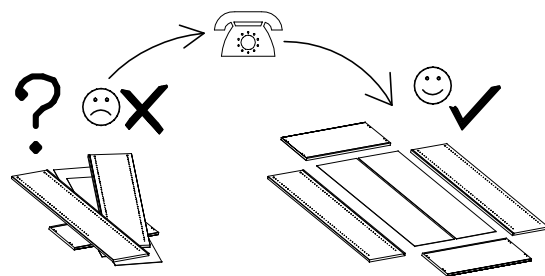
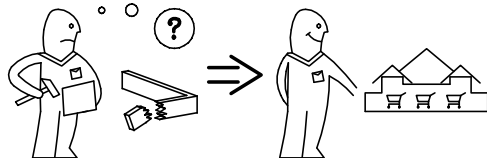
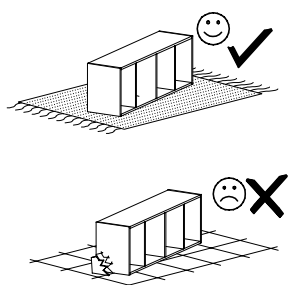
# XV



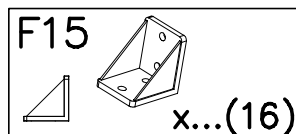
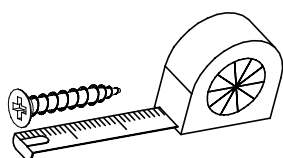



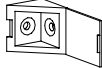
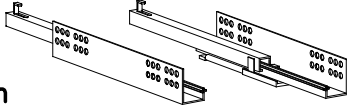

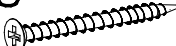


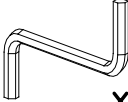

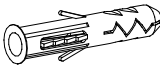

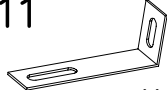

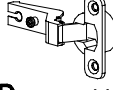


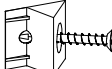


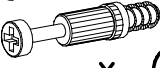


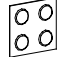

# XVI

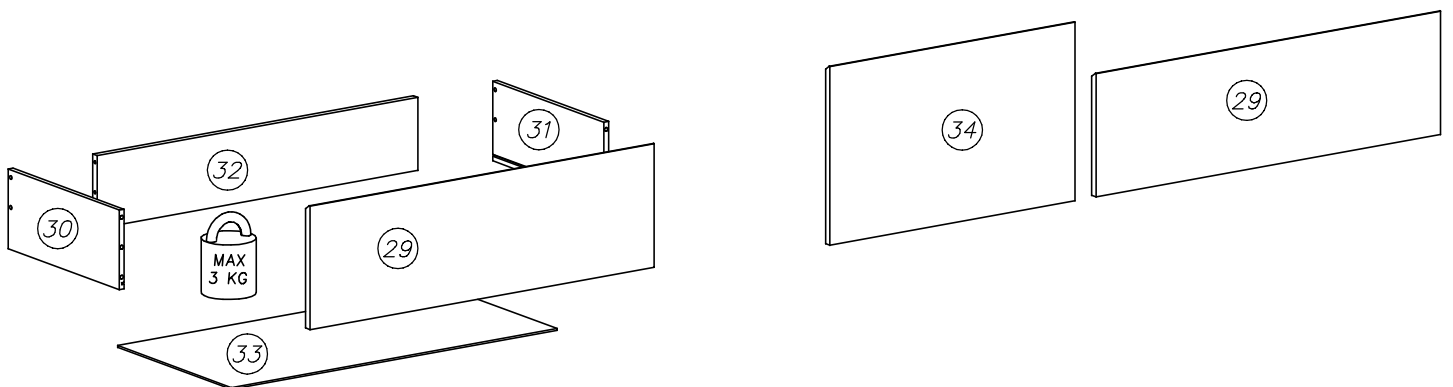
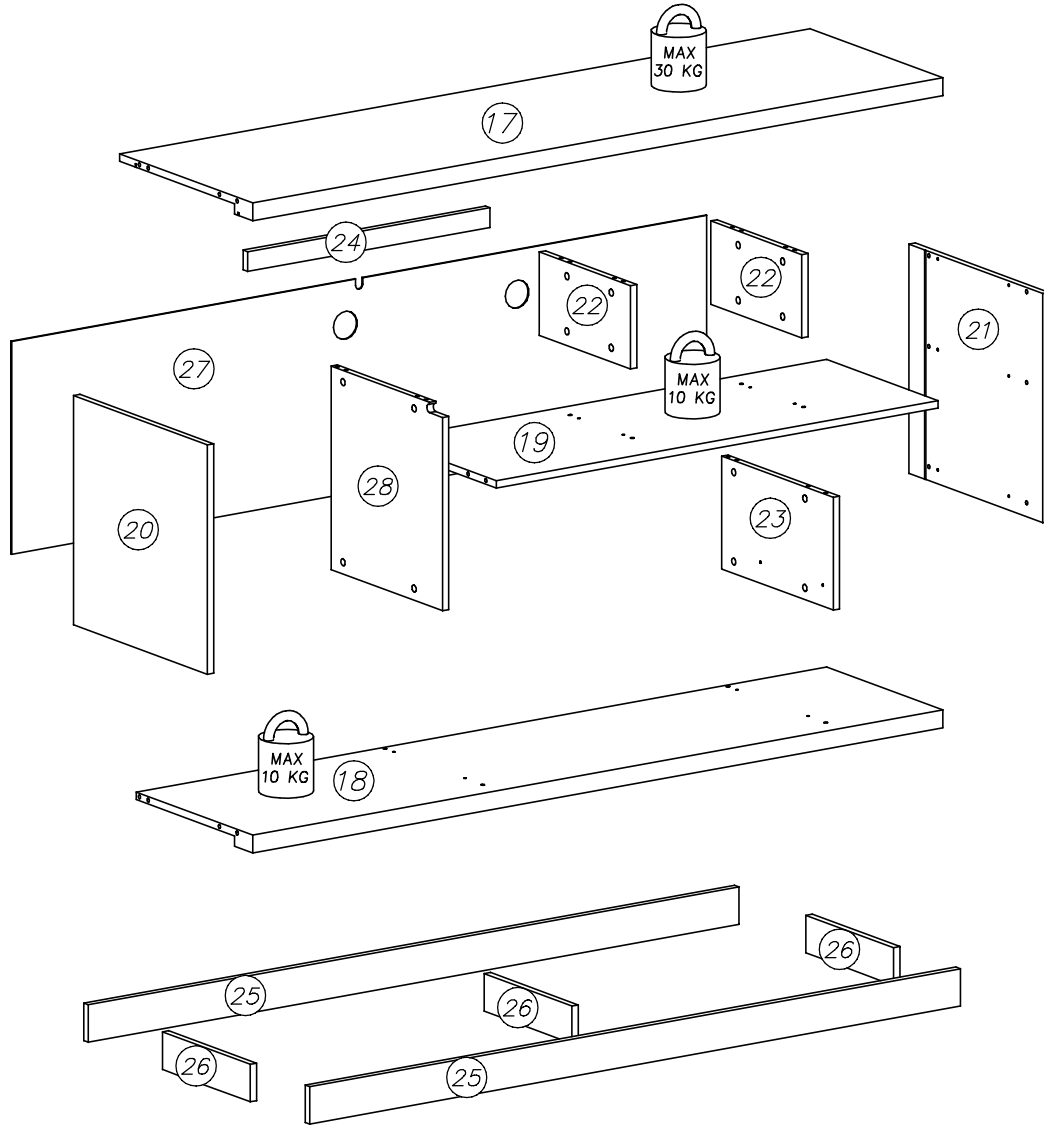
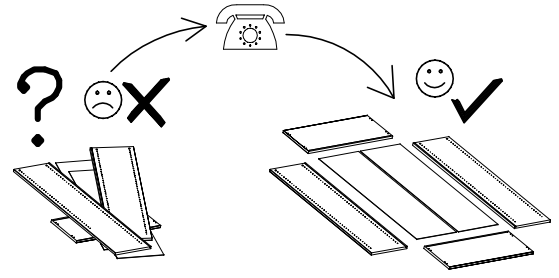
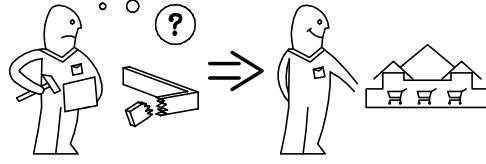
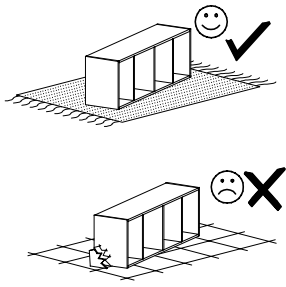


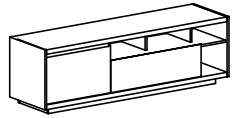


nr	L[mm]	B[mm]	T[mm]	Menge	Colli
17	1740	469	38	1	4/5
18	1740	419	38	1	4/5
19	1113	401	16	1	3/5
20	490	471	16	1	3/5
21	490	471	16	1	3/5
22	178	328	16	2	3/5
23	241	401	16	1	3/5
24	611	50	16	1	3/5
25	1640	80	16	2	4/5
26	306	80	16	3	3/5
27	1752	455	3	1	4/5
28	435	401	16	1	3/5
29	868	264	16	1	3/5
30	350	170	12	1	4/5
31	350	170	12	1	4/5
32	809	156	16	1	4/5
33	819	405	3	1	3/5
34	618	382	16	1	3/5
BESCHLAGE					1/5

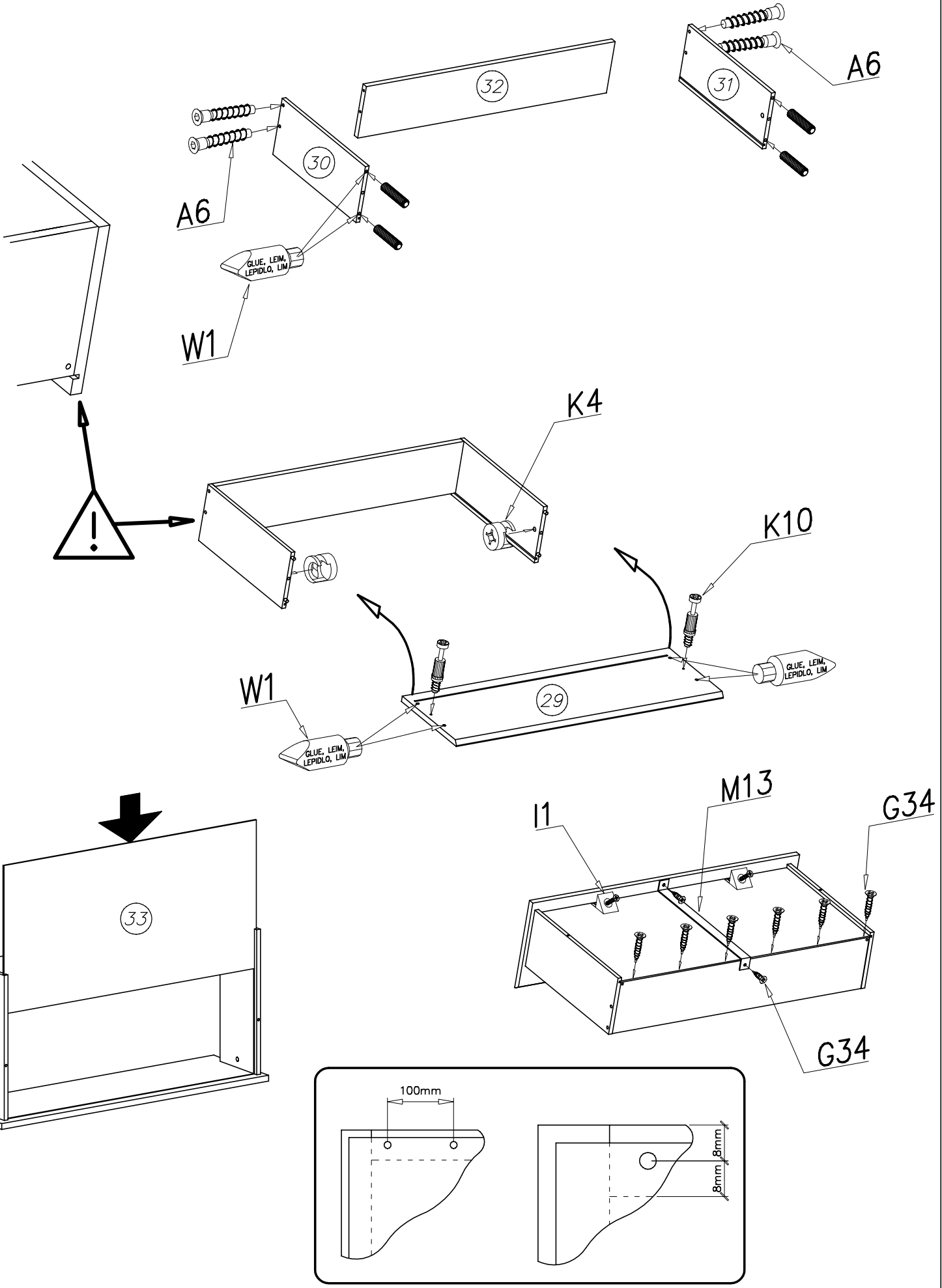


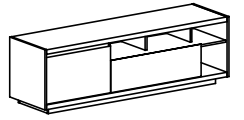
<b>W1</b>  GLUE, LEIM, LEPIDLO, LIM x...(1)	<b>F4</b>  x...(6)	<b>H16</b>  350mm x...(1)	<b>I18</b>  your style x...(1)	
<b>G28</b>  4x60 x...(1)	<b>M13</b>  x...(1)	<b>I7</b>  x...(28)	<b>W2</b>  x...(1)	<b>A6</b>  ø7x40 x...(4)
<b>U6</b>  ø8x50 x...(1)	<b>K4</b>  ø12x10 x...(2)	<b>M11</b>  x...(1)	<b>P4</b>  x...(12)	<b>C4</b>  Z350D x...(2)
<b>K1</b>  ø15x12 x...(28)	<b>F12</b>  x...(2)	<b>I1</b>  x...(8)	<b>G46</b>  6x8 x...(4)	<b>D4</b>  PZ350D x...(2)
<b>K10</b>  x...(30)	<b>B1</b>  ø8x35 x...(32)	<b>G56</b>  4x16 x...(86)	<b>W3</b>  x...(4)	<b>G34</b>  3,5x16 x...(40)



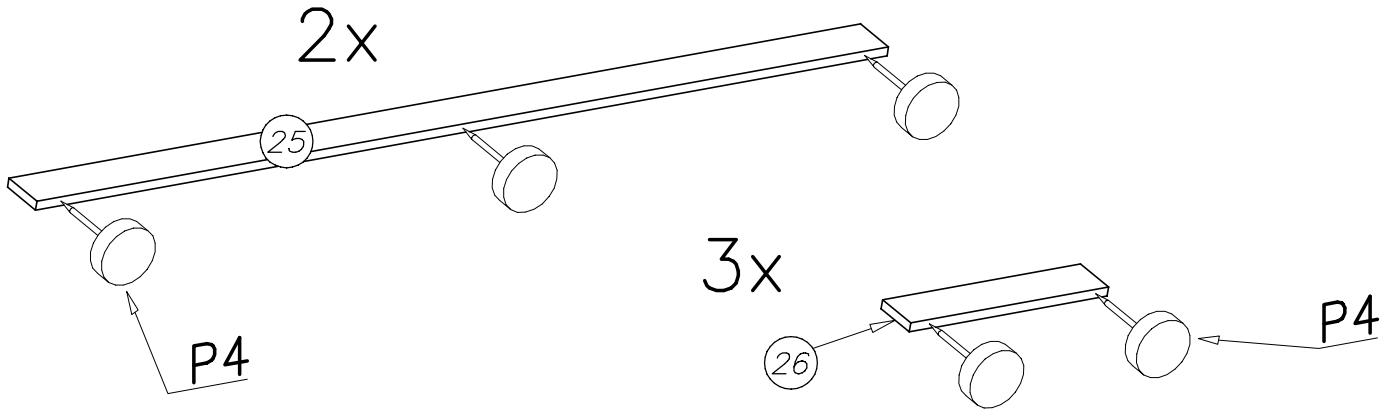


I

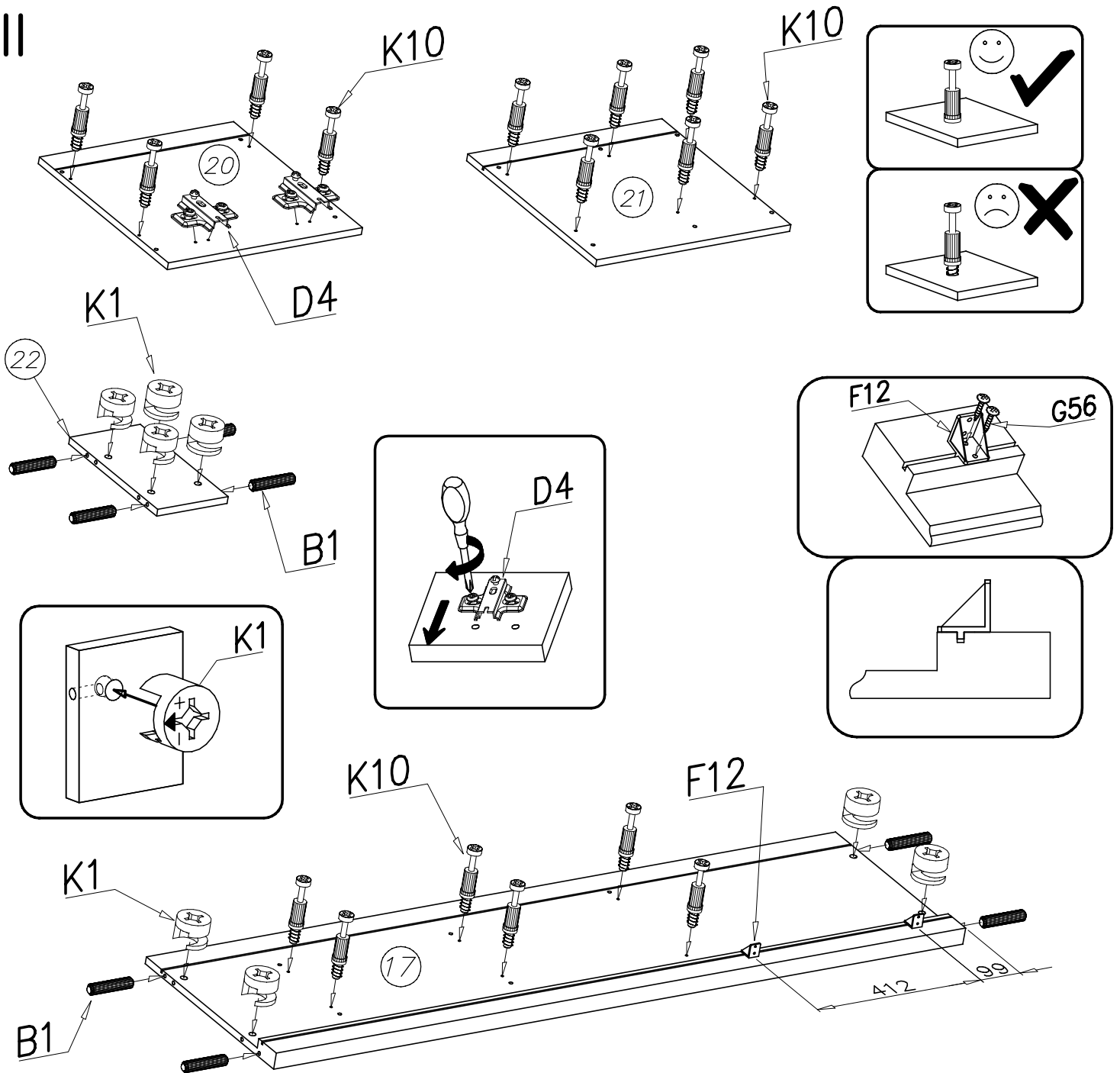


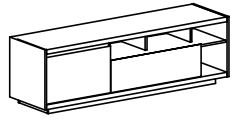


## II

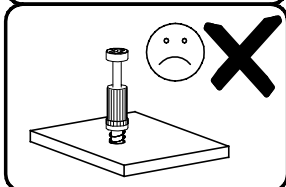
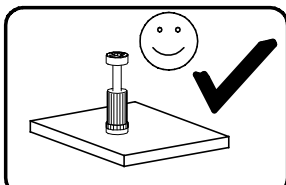
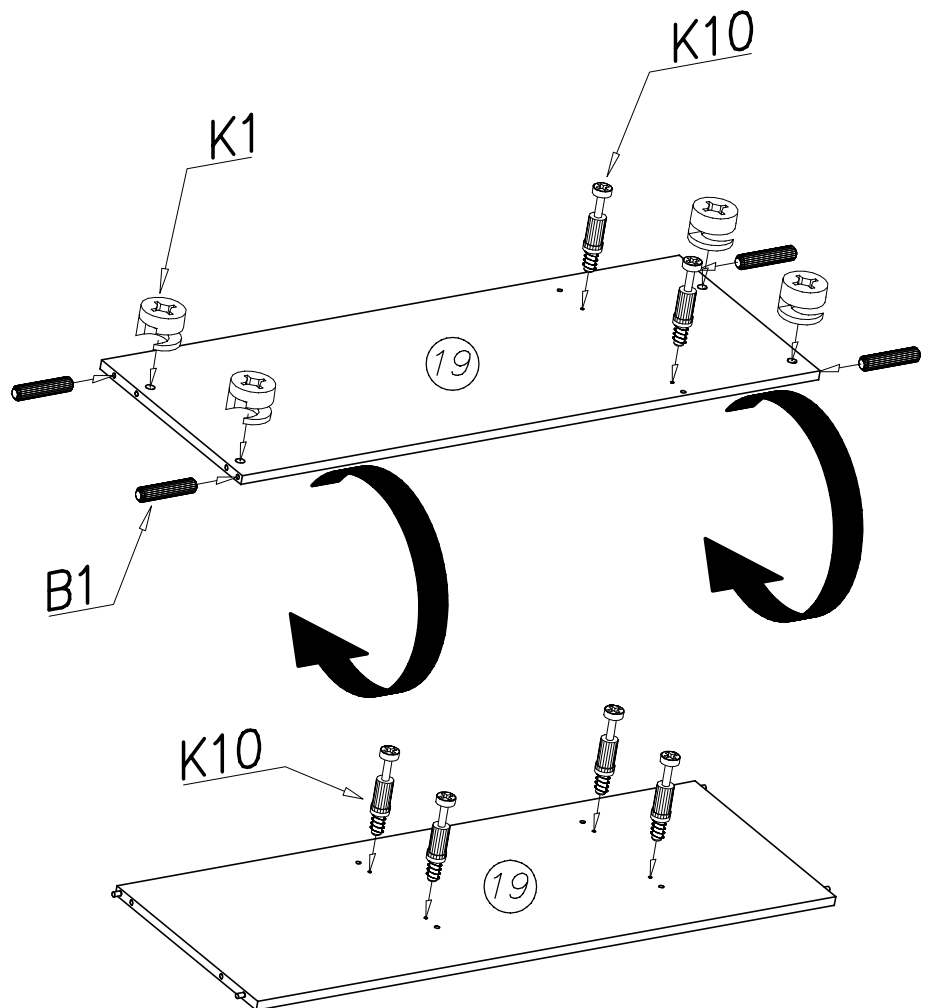
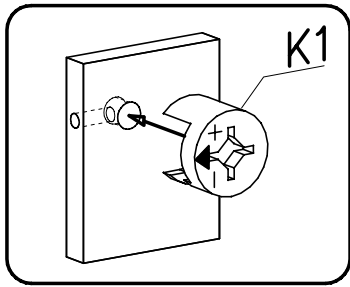
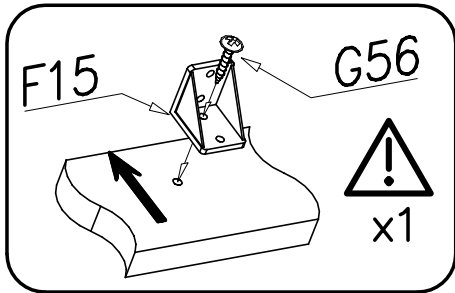
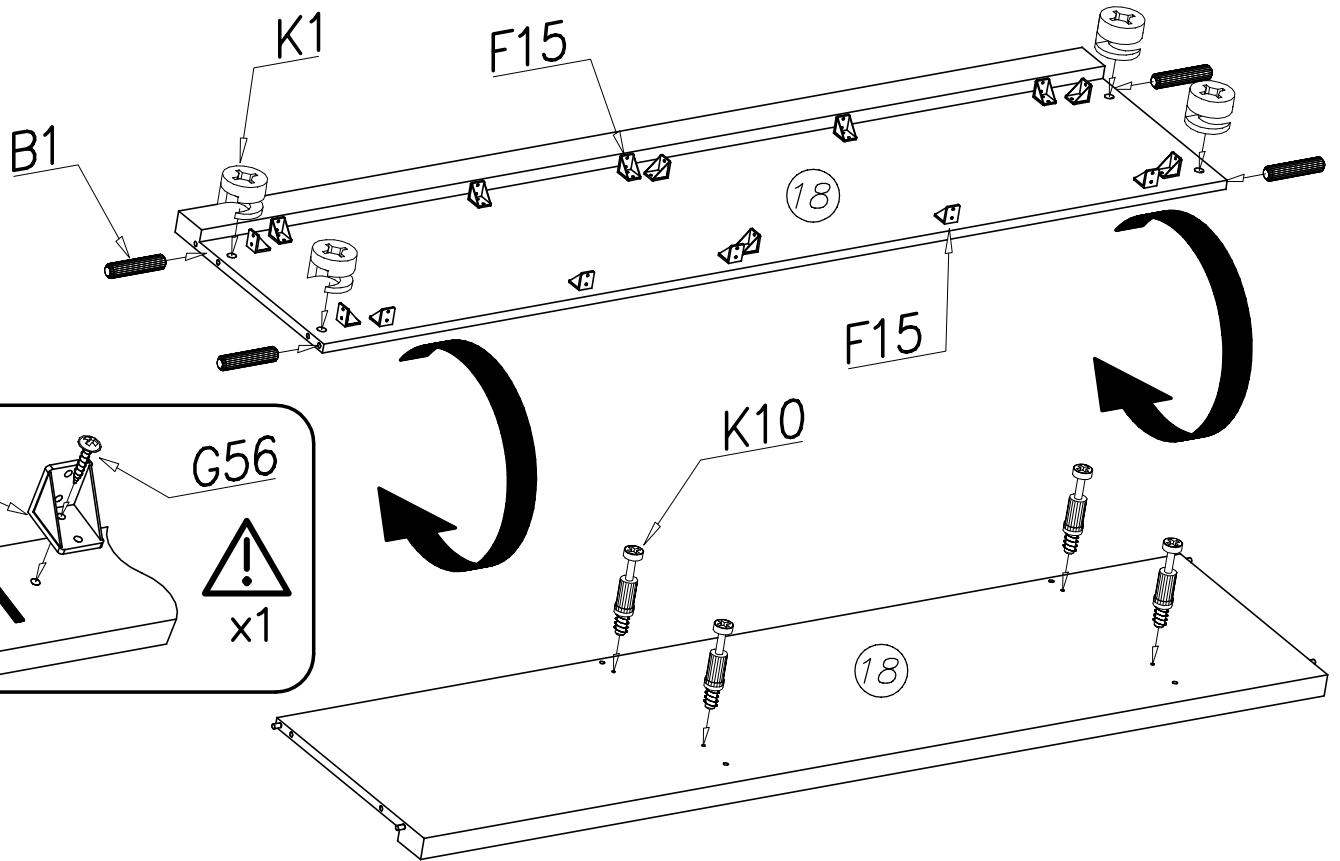


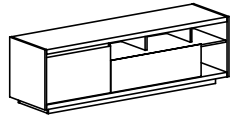
## III



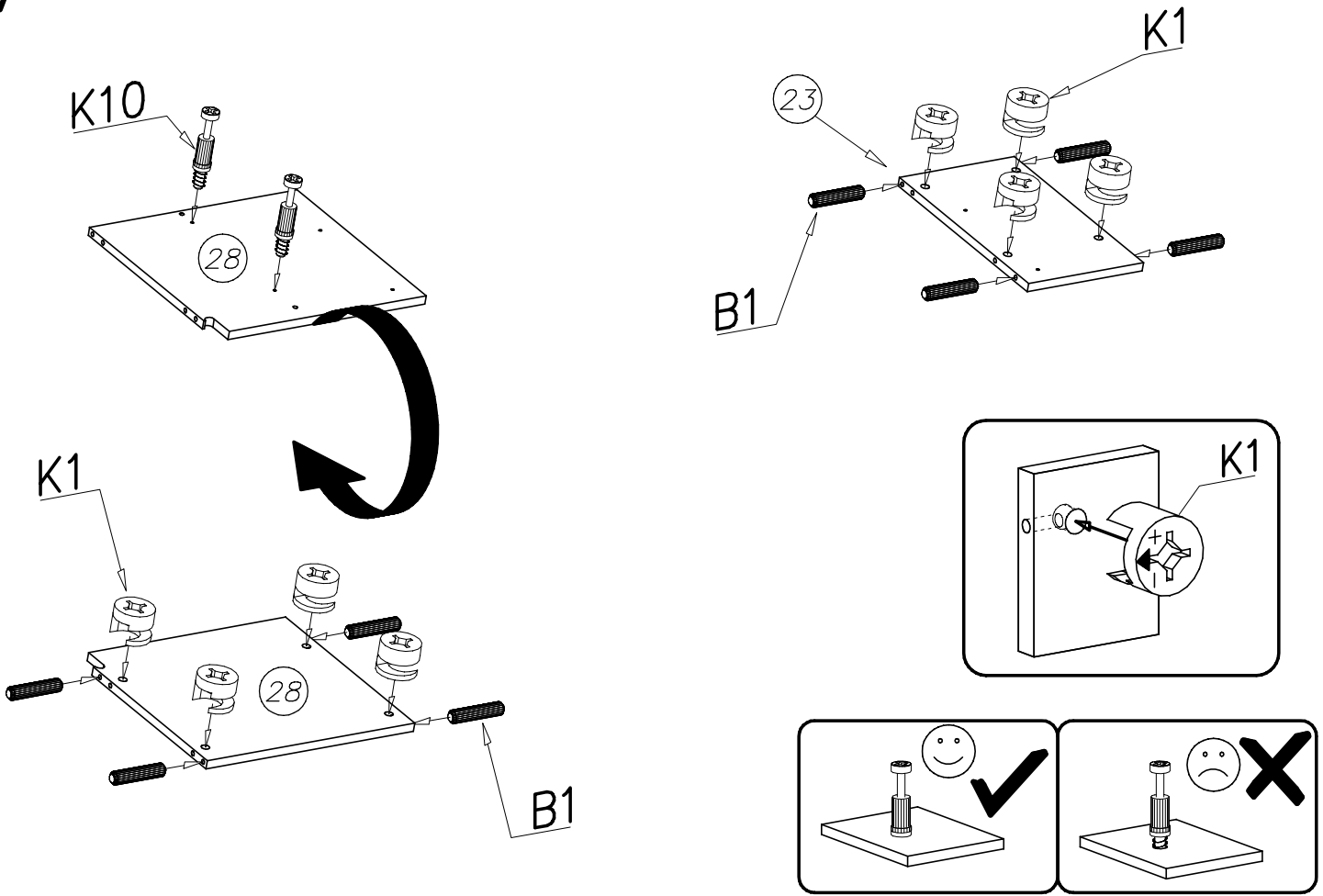


# IV

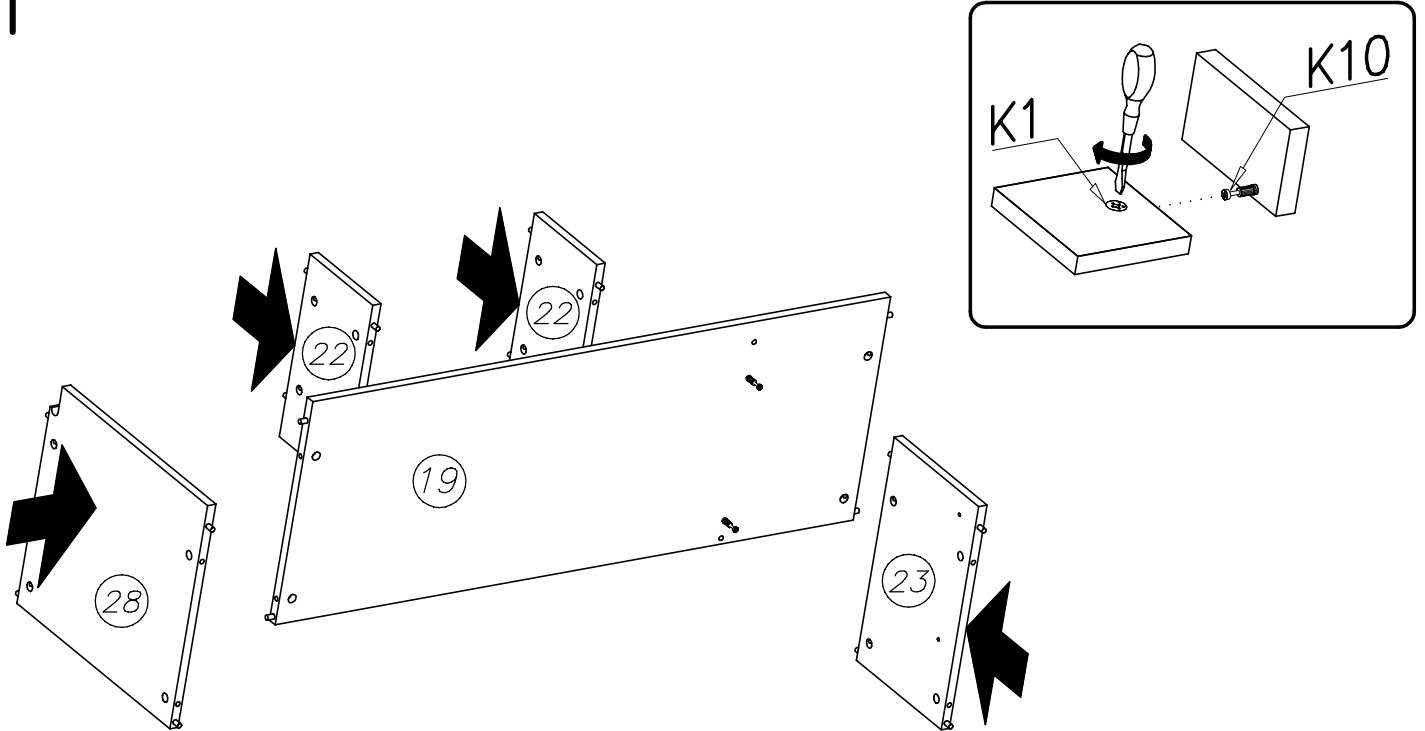


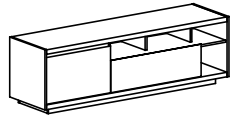


# V

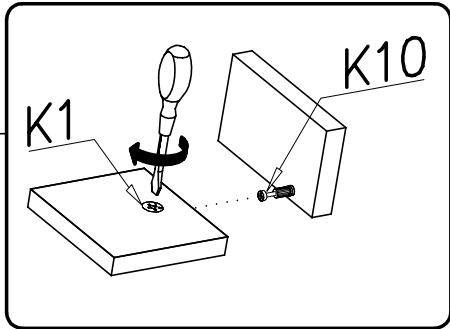
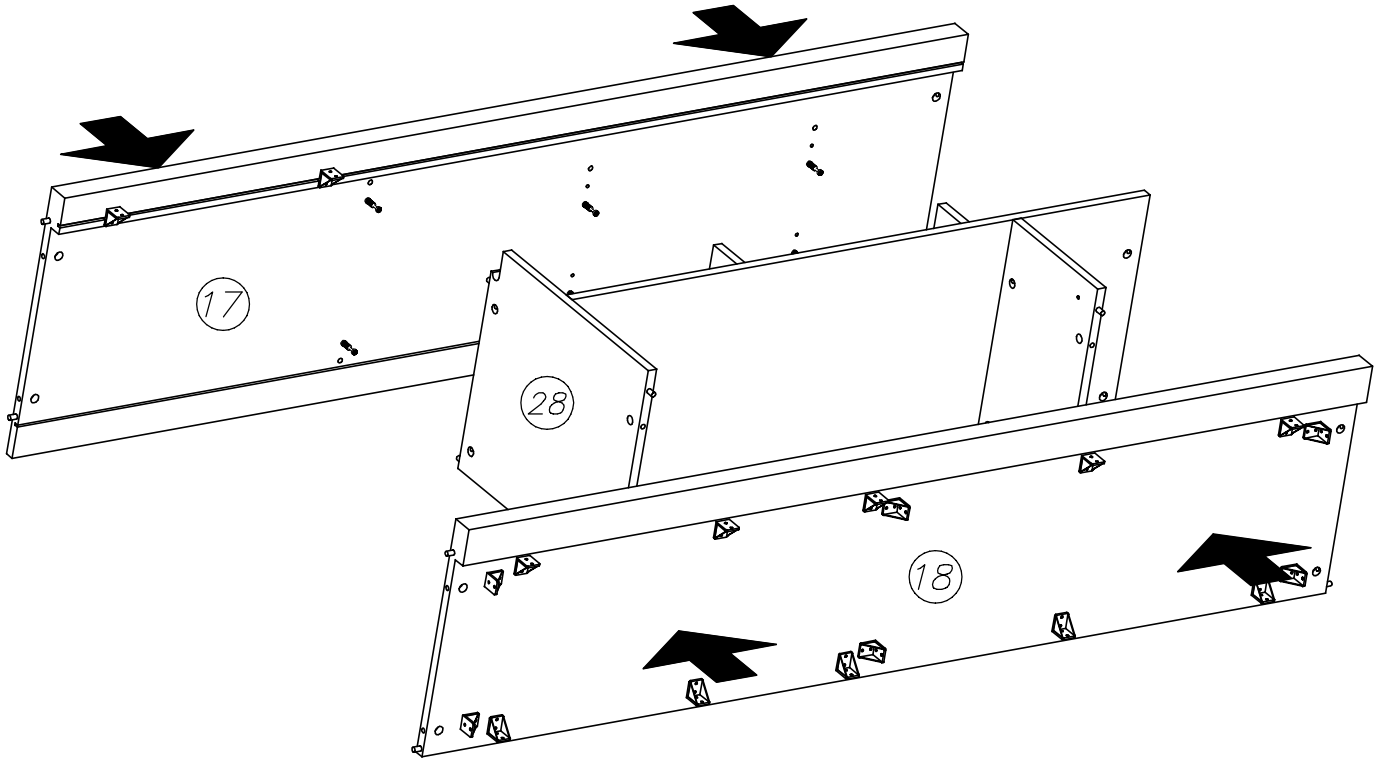


# VI

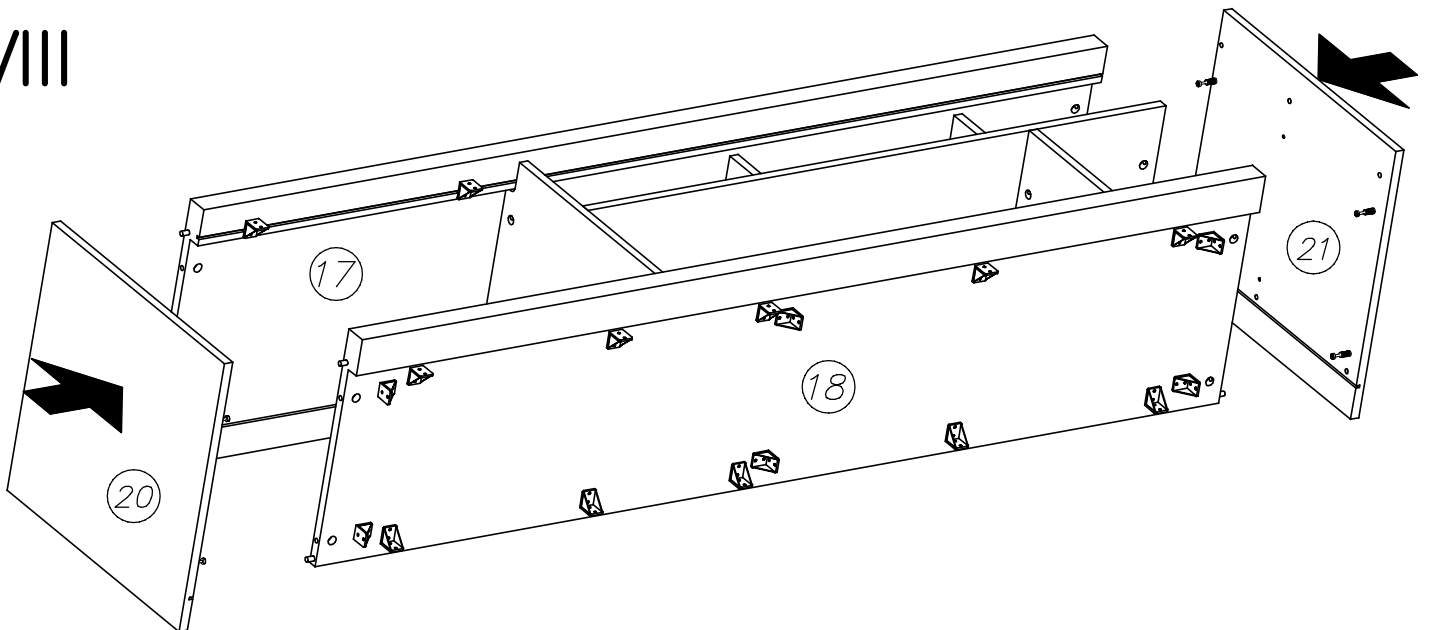


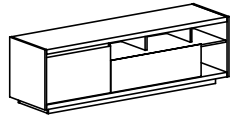


# VII

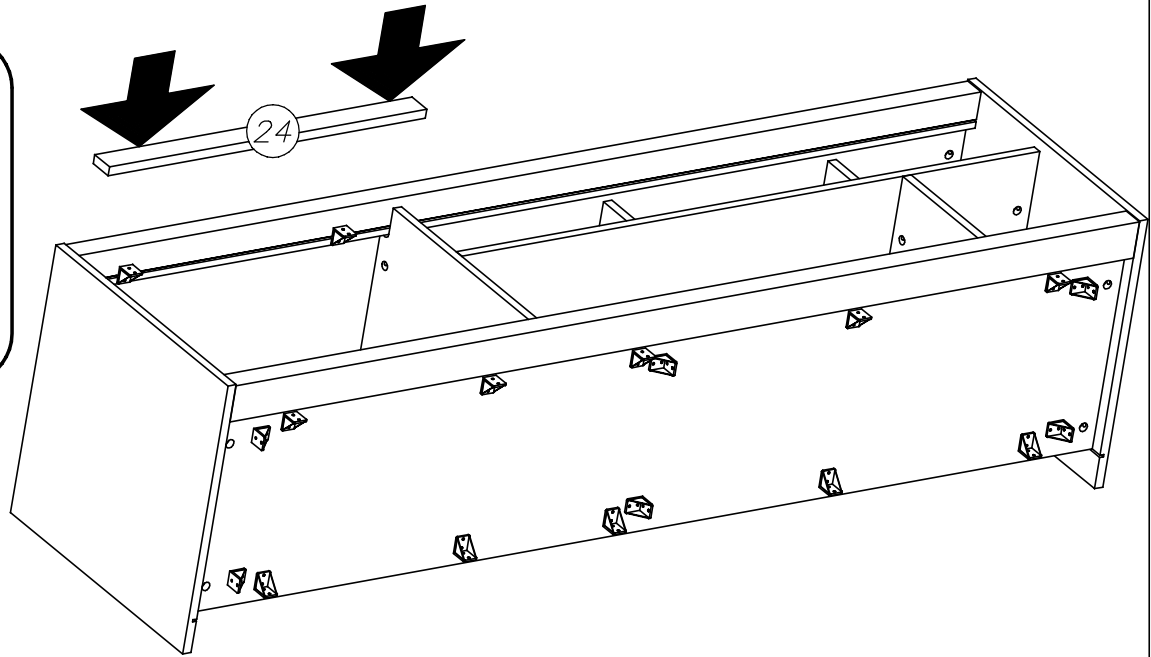
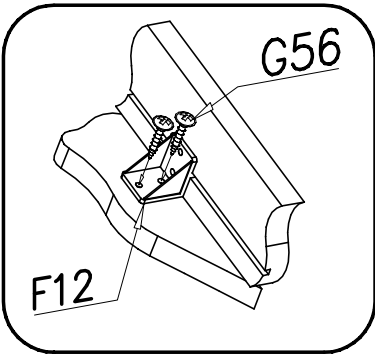


# VIII

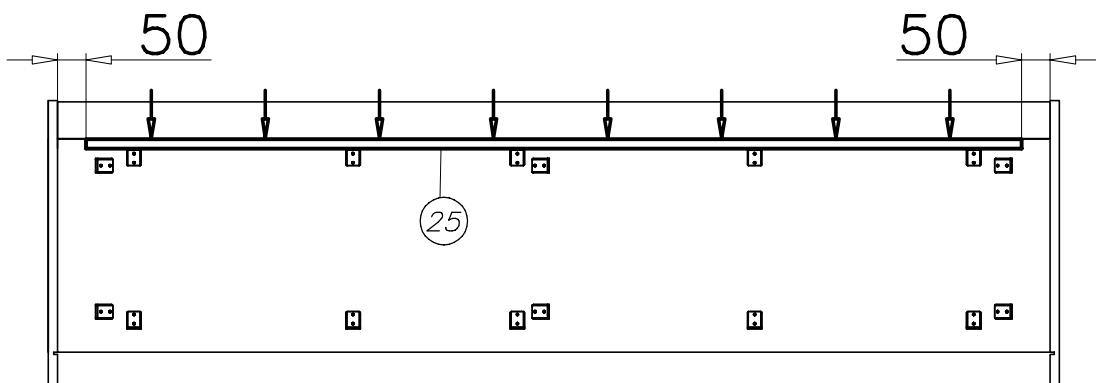
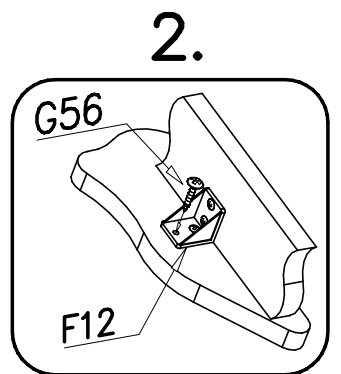
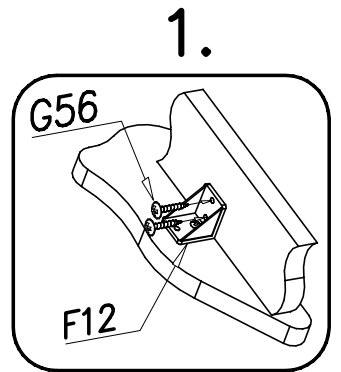
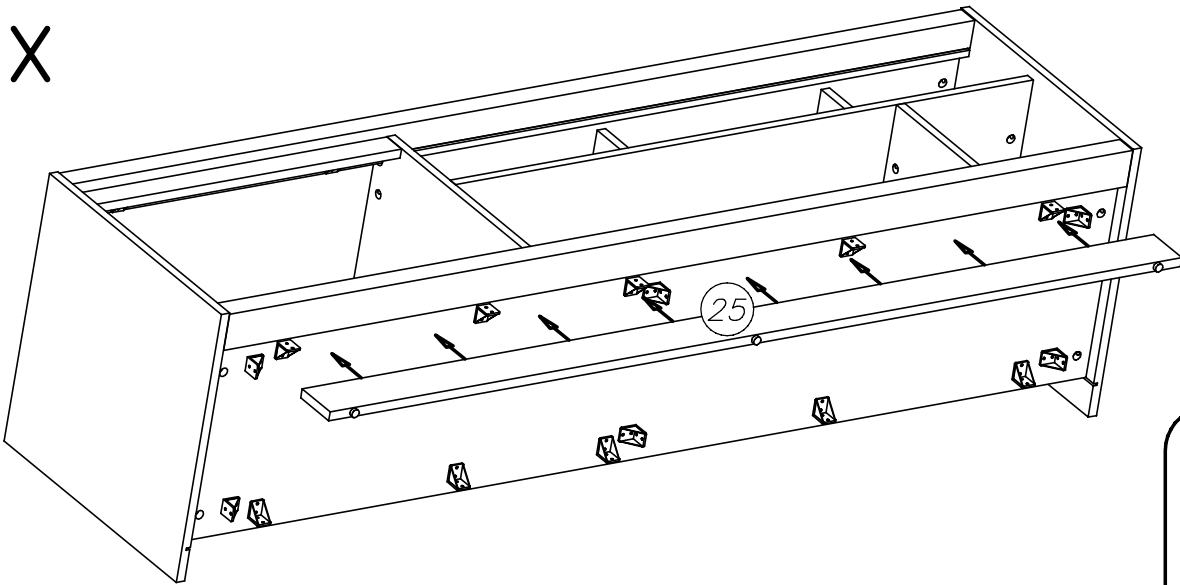


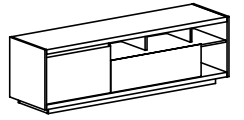


# IX

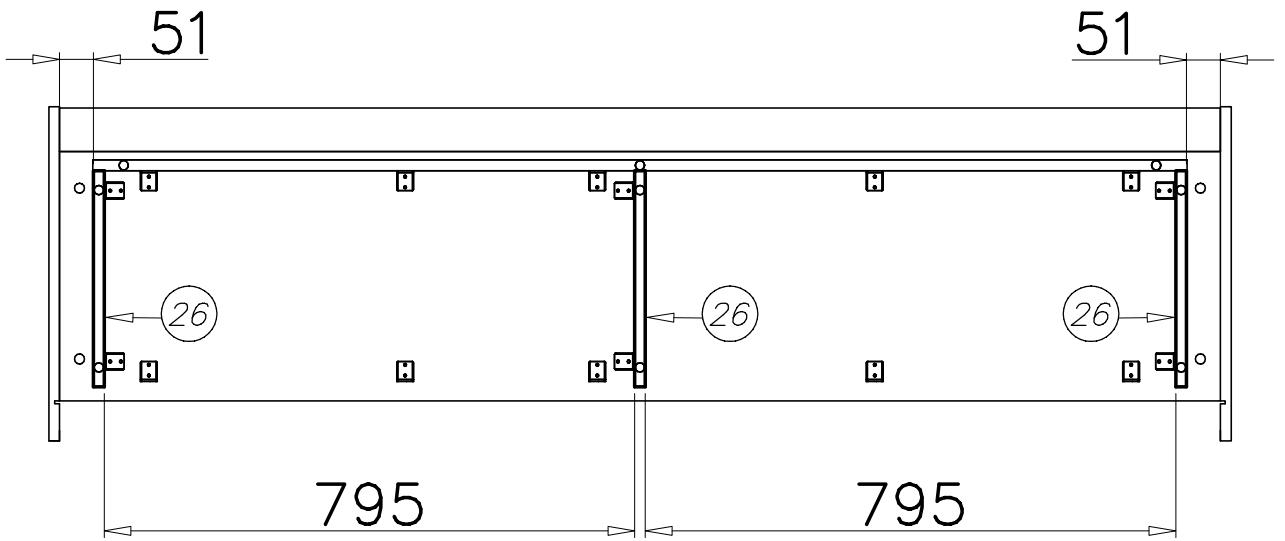
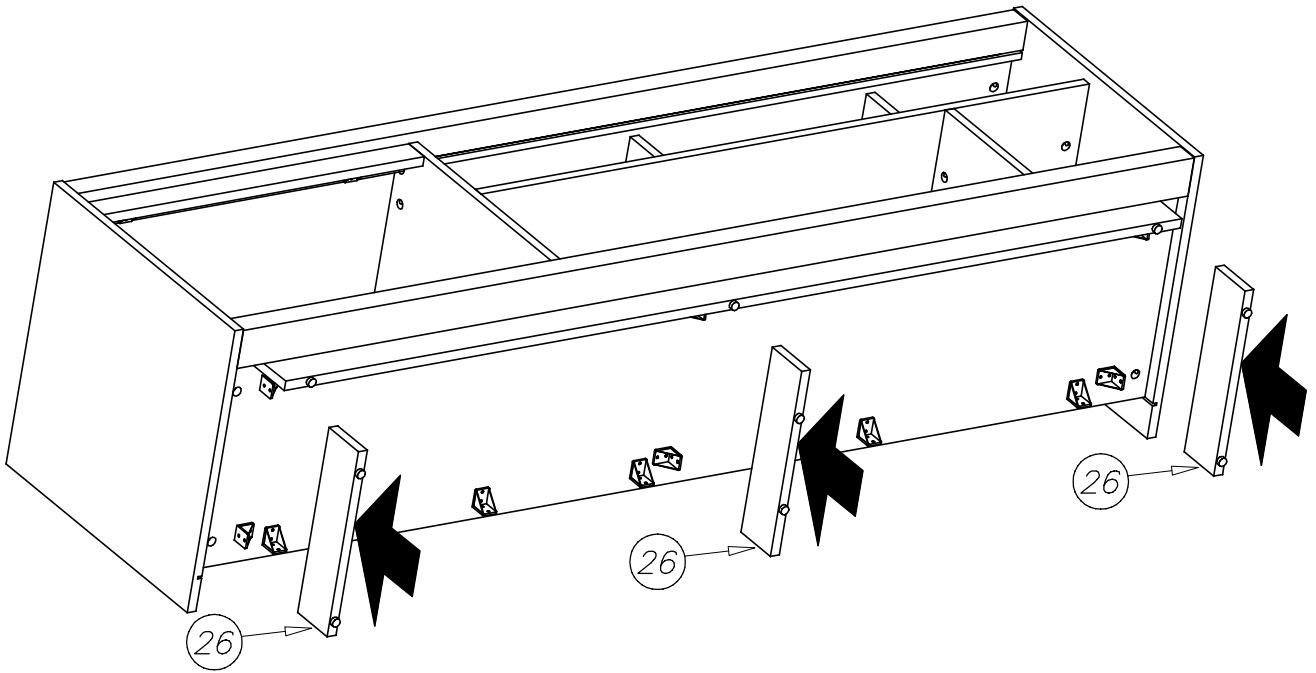


# X

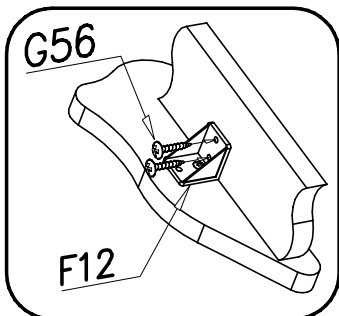




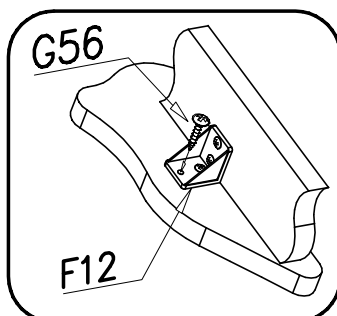
# XI

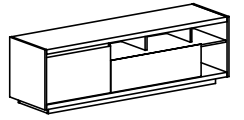


1.

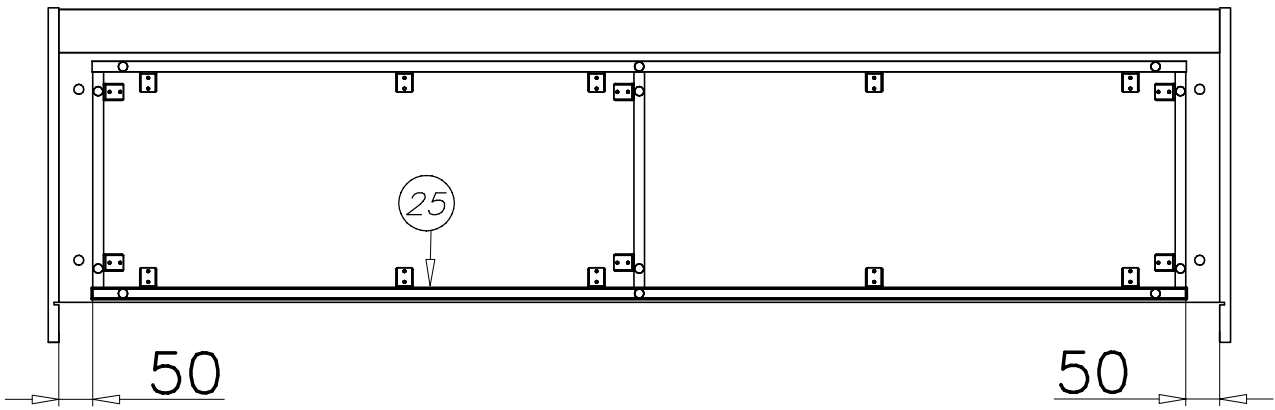
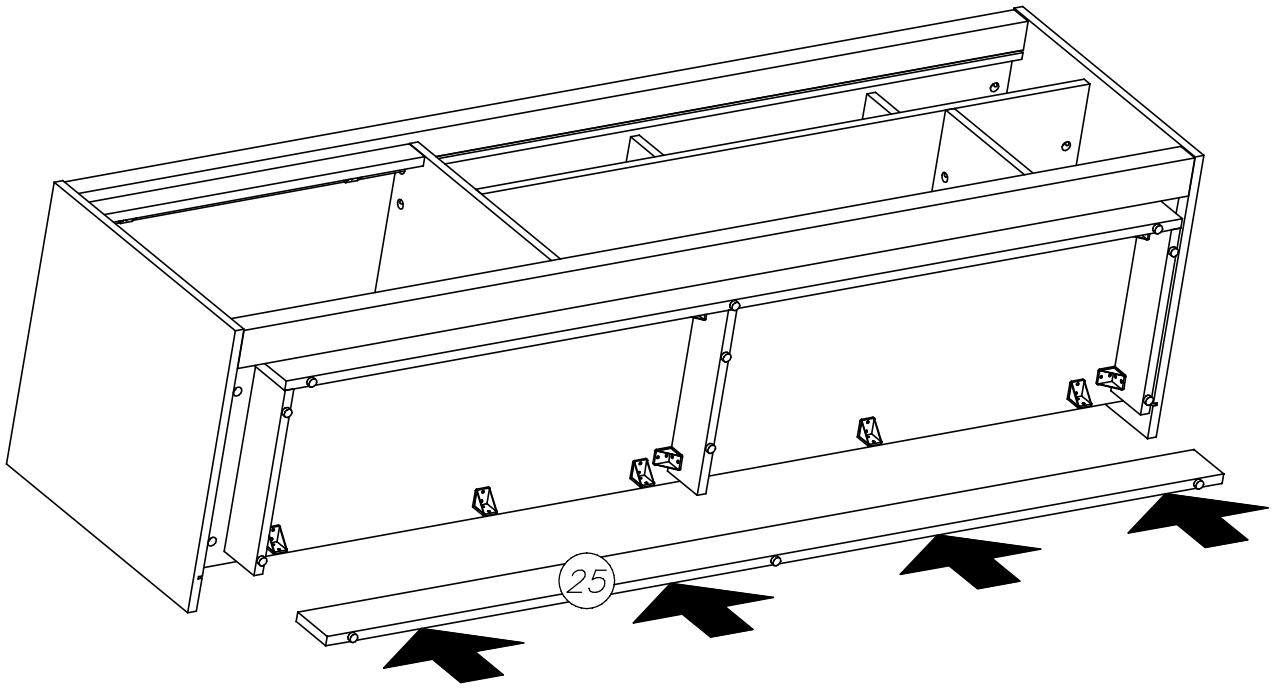


2.

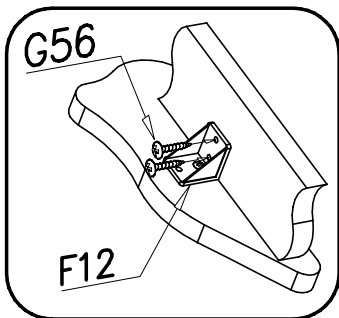




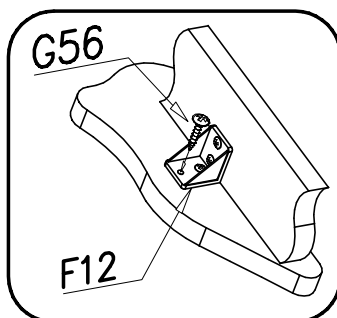
# XII

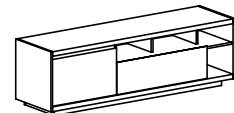


1.

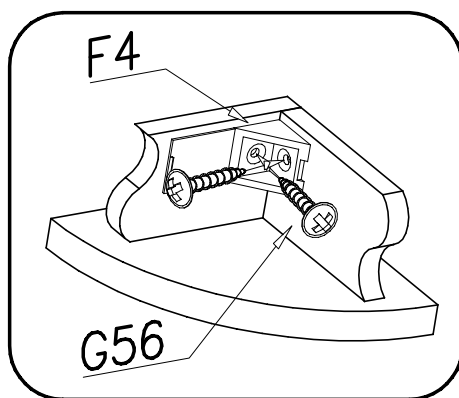
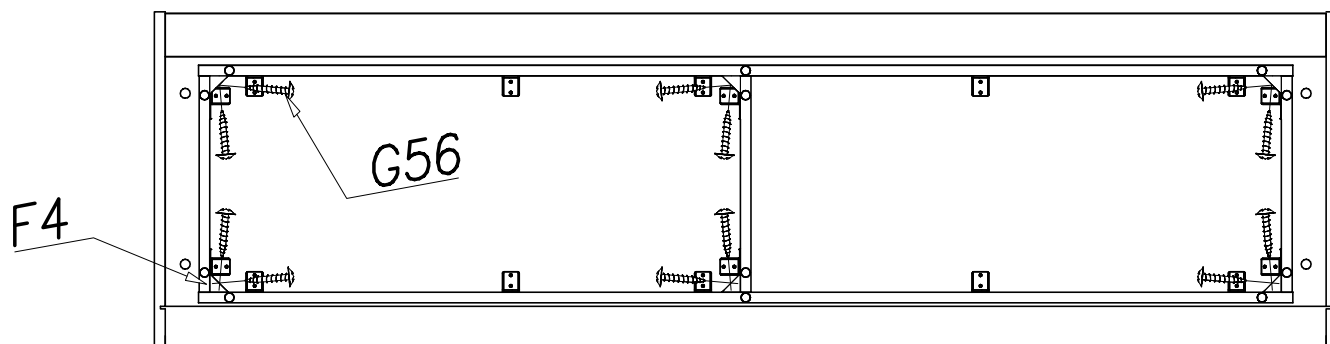
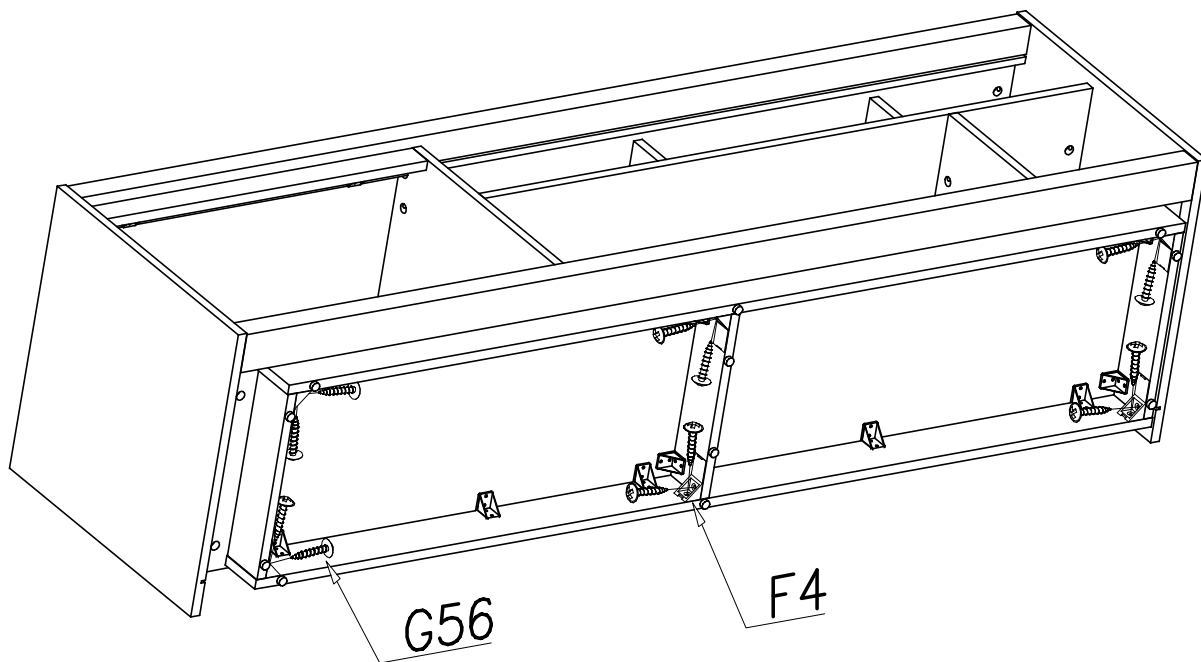


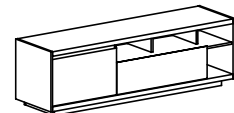
2.



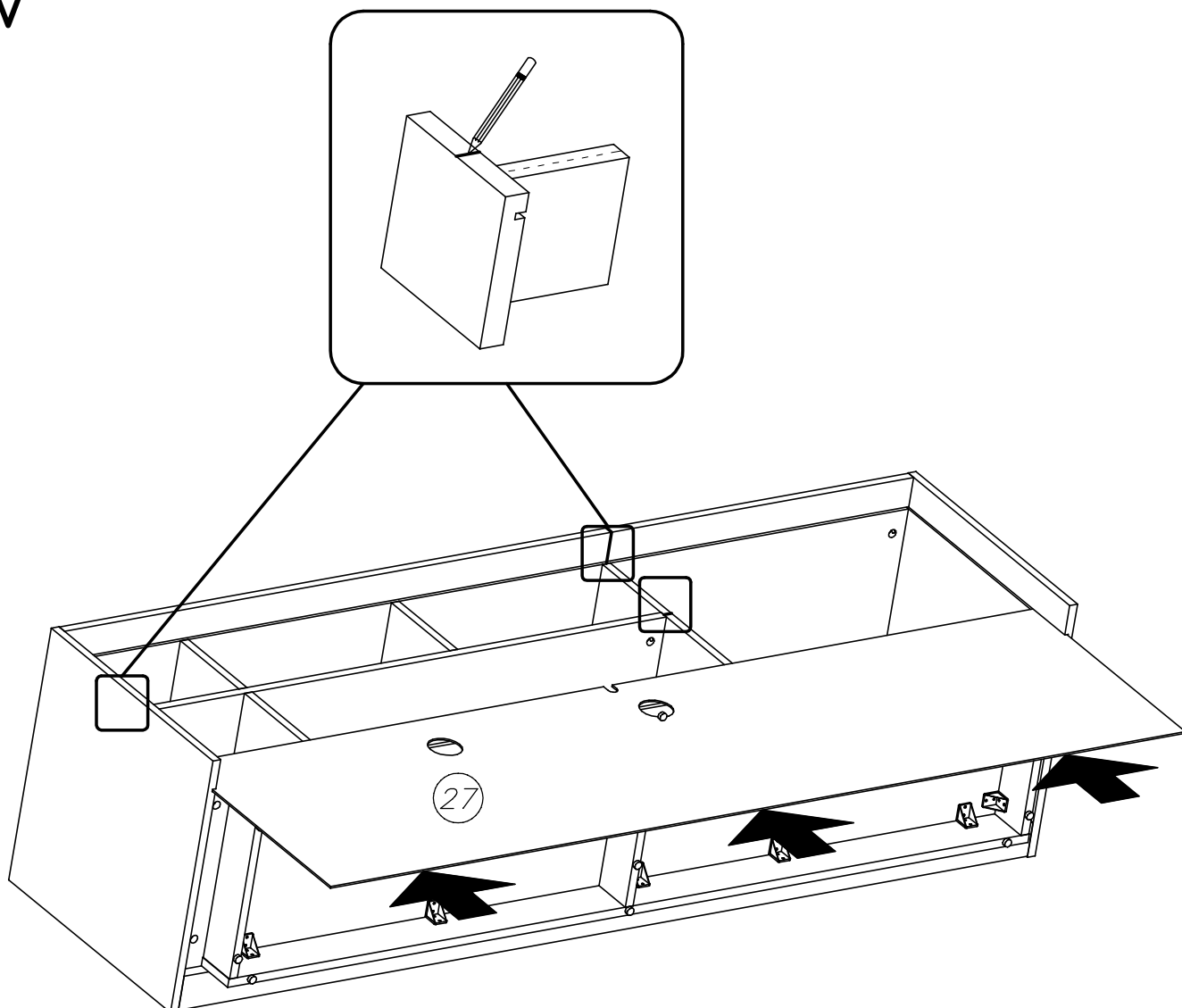


# XIII

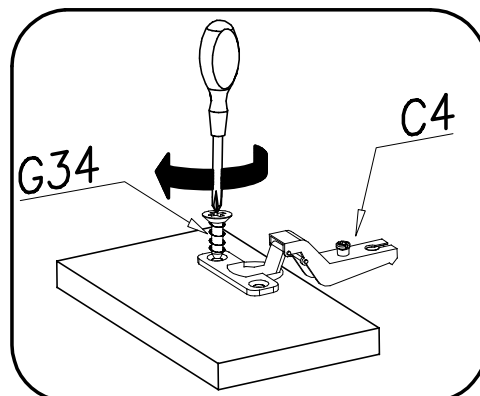
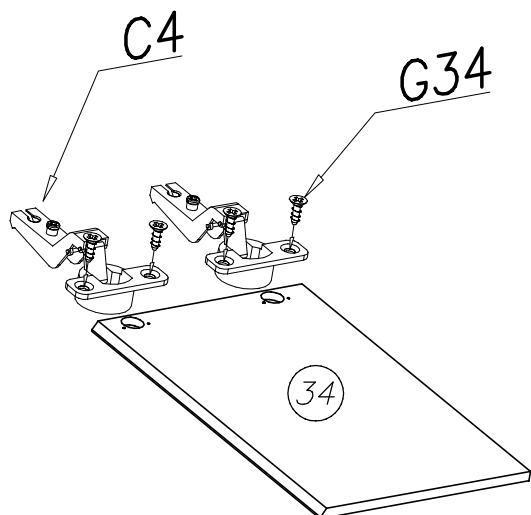


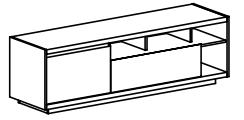


# XIV

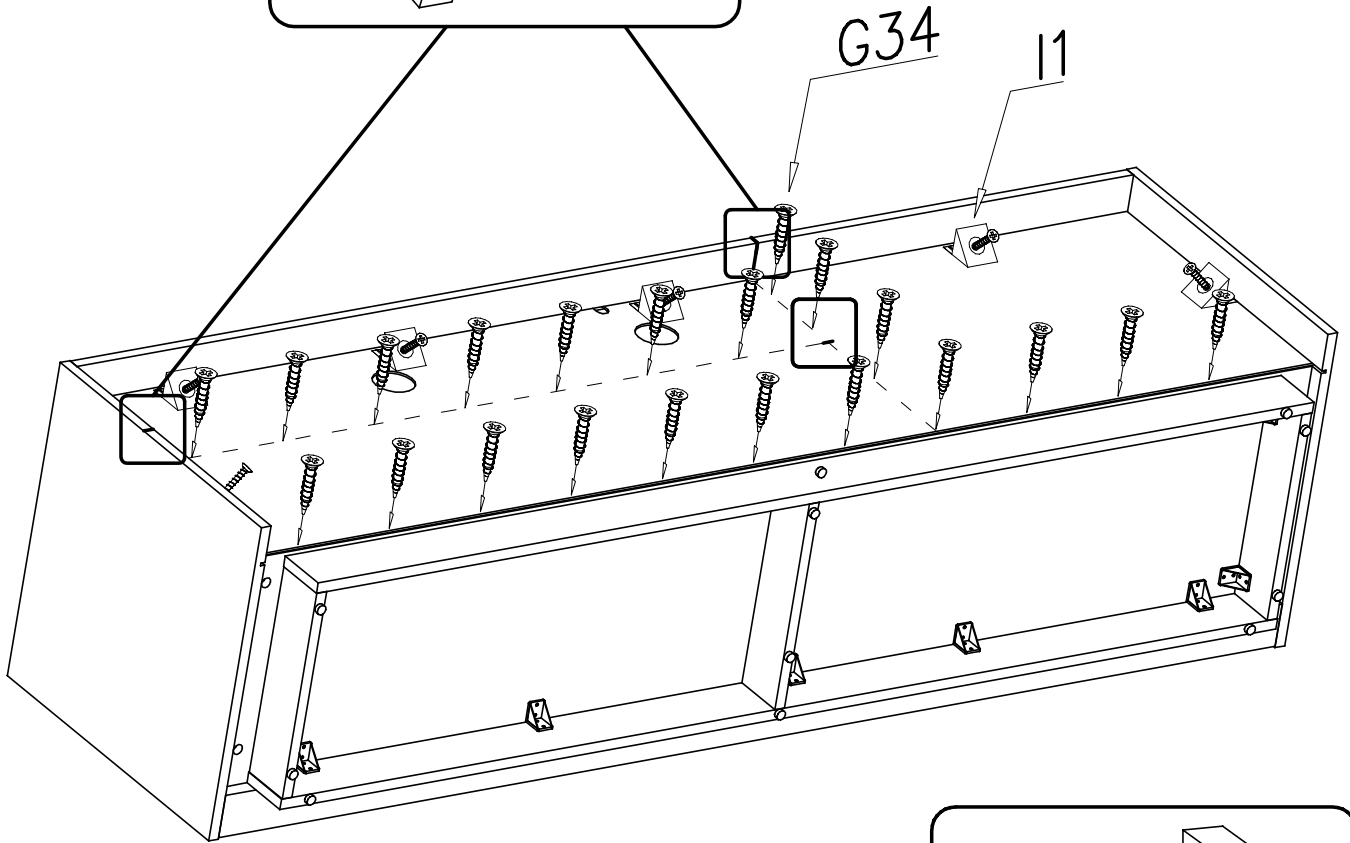
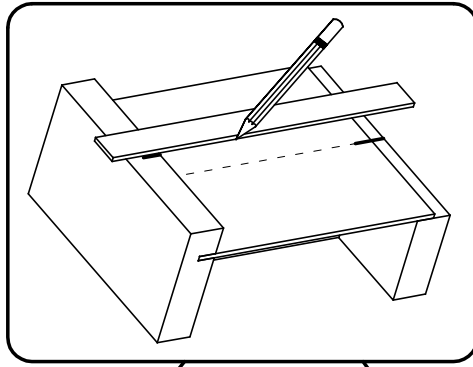


# XV

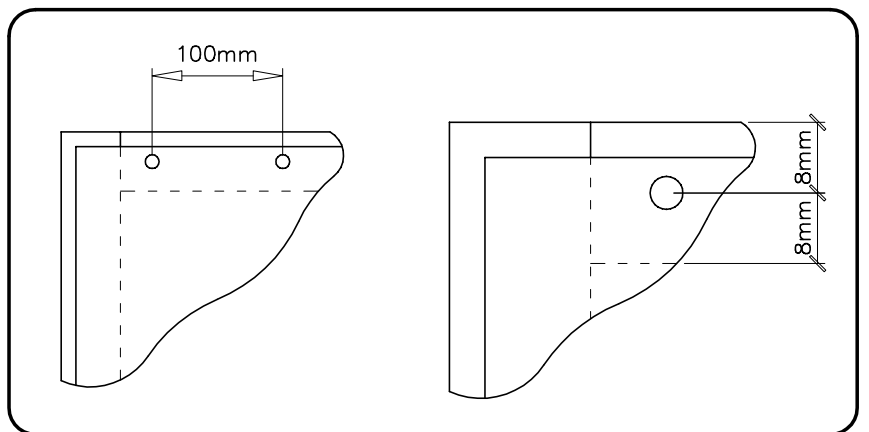
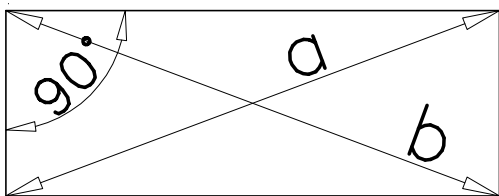
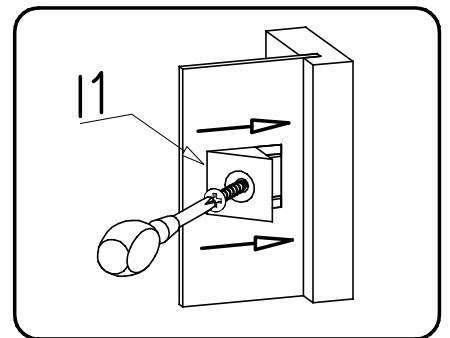


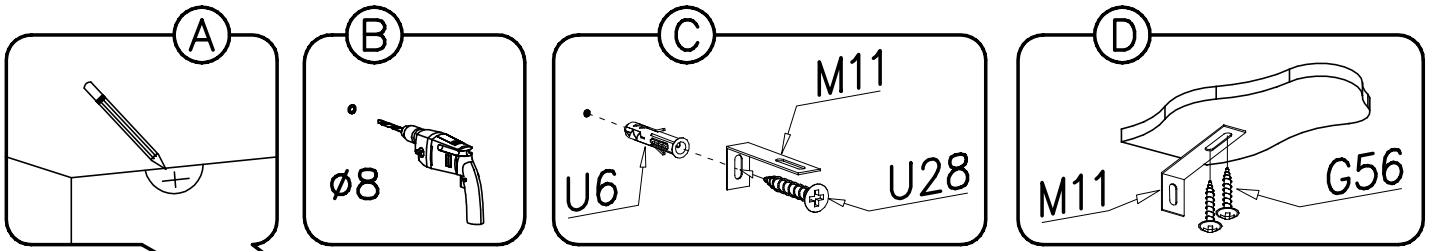
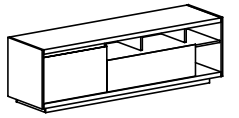


# XVI

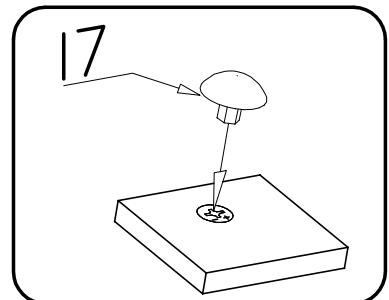
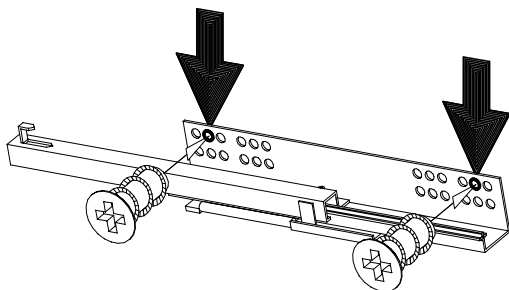
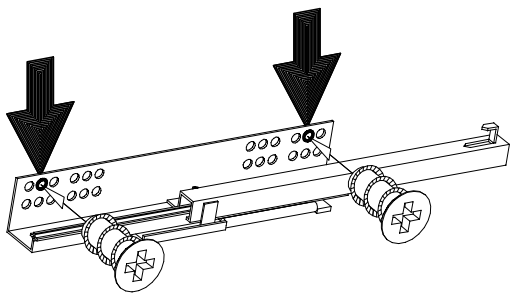
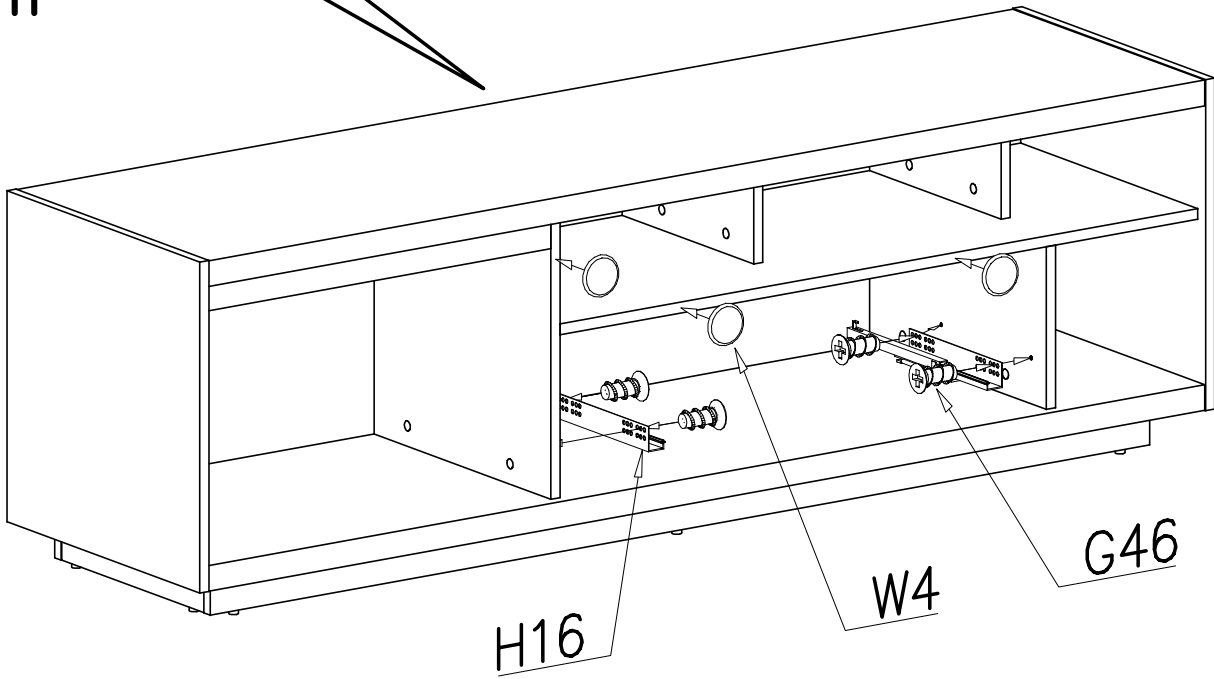


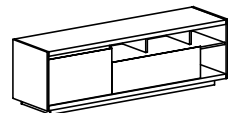
$a = b$



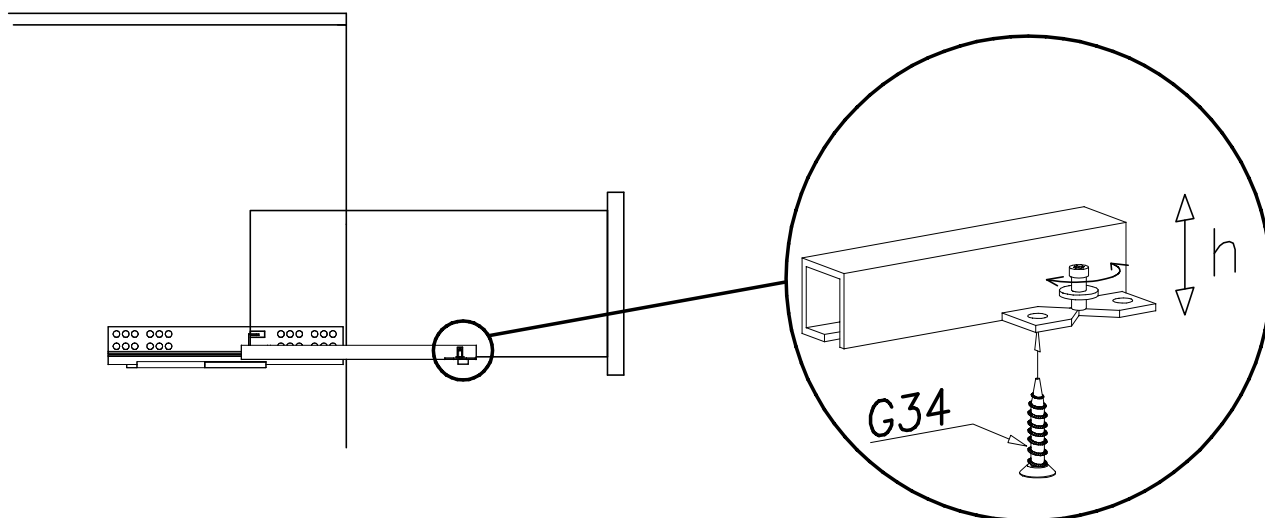
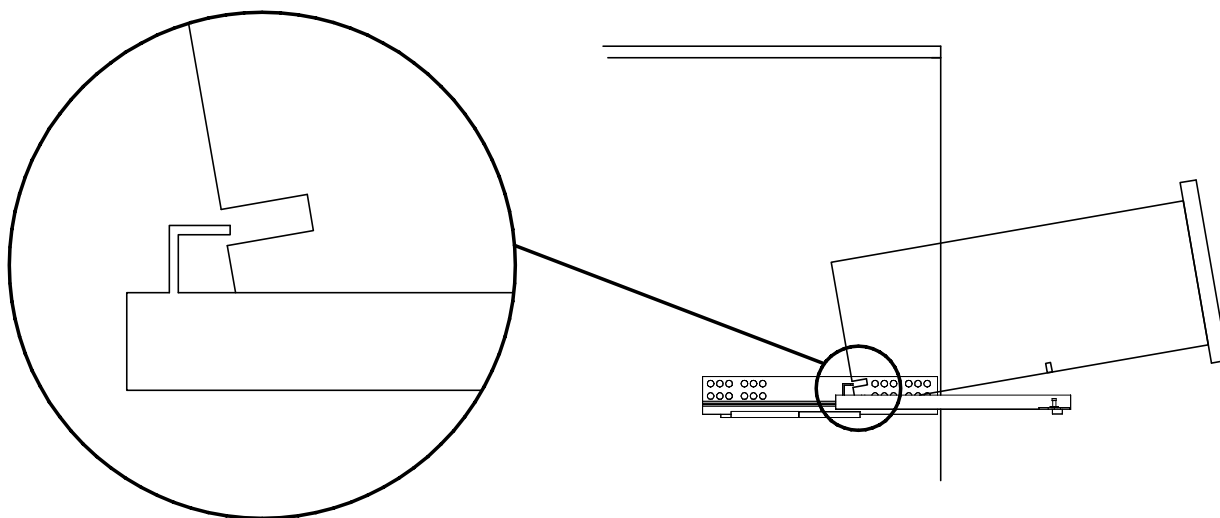
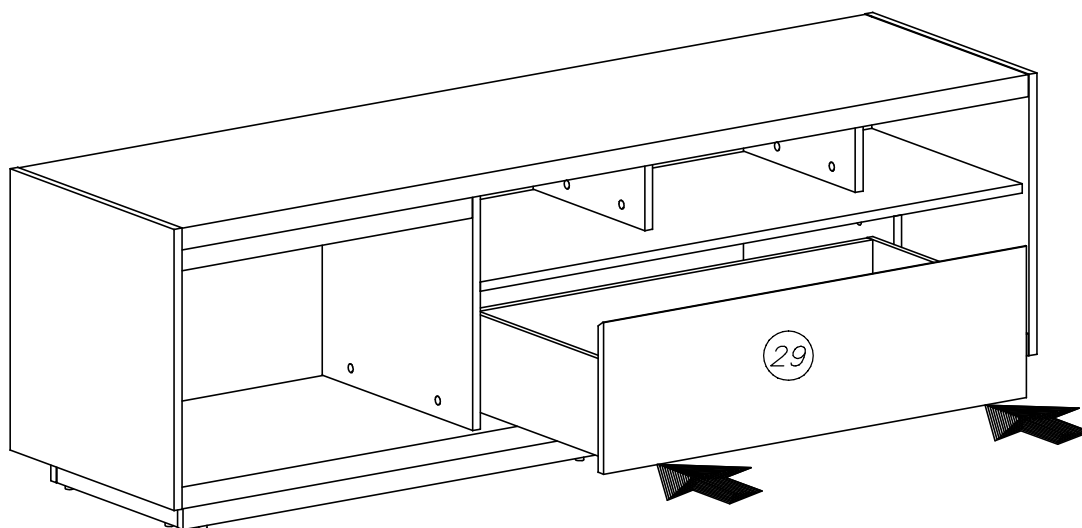


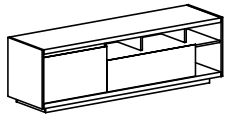
# XVII



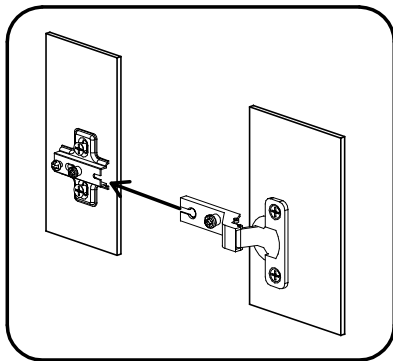
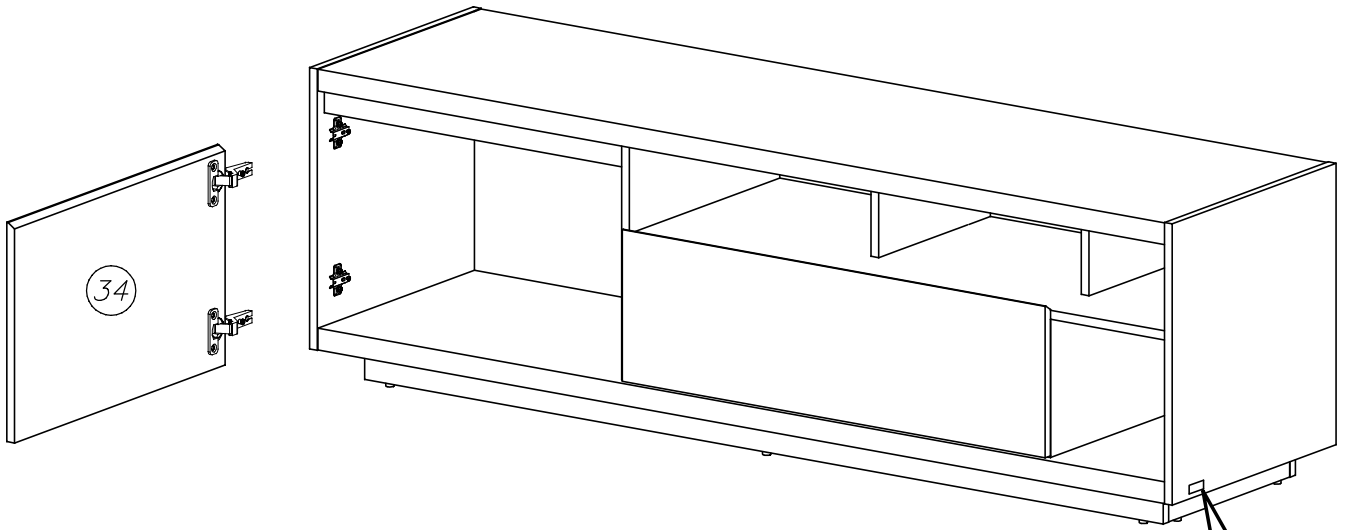


# XVIII

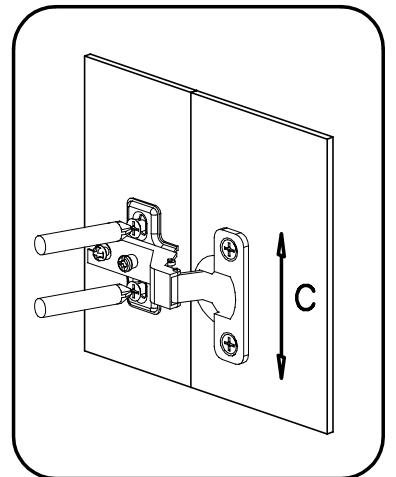
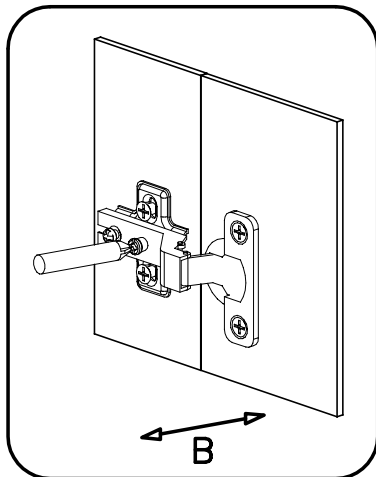
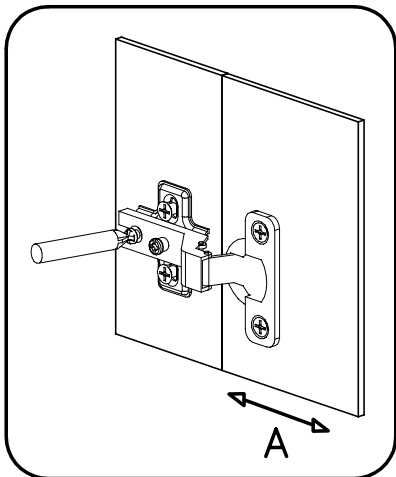


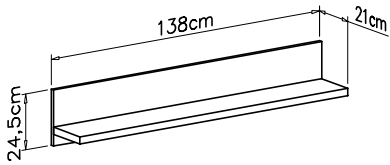
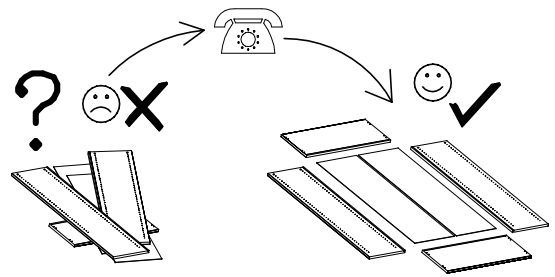
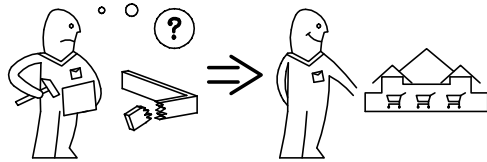
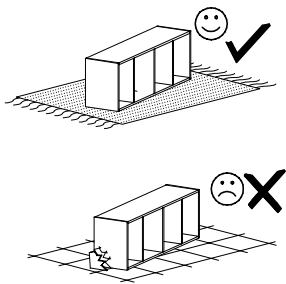


# XIX

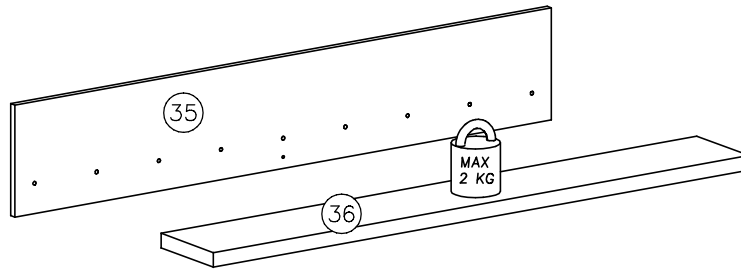
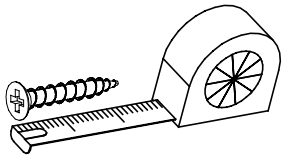


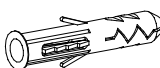




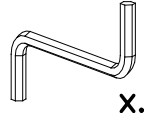
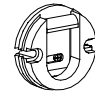
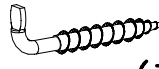
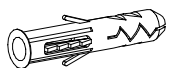
time  
your style



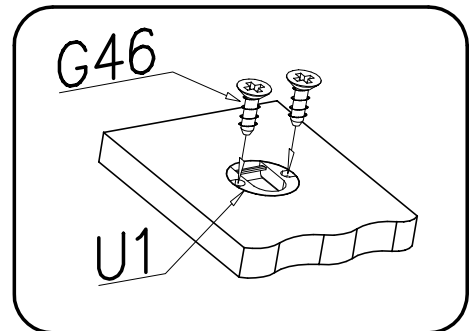
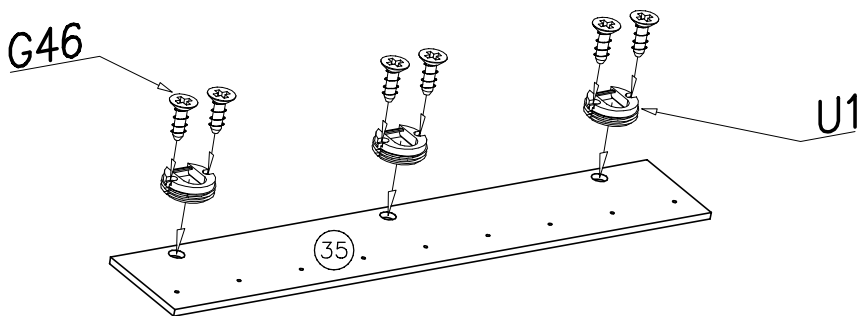


nr	L[mm]	B[mm]	T[mm]	Menge	Colli
35	1380	244	16	1	5/5
36	1378	192	28	1	5/5
BESCHLAGE					1/2



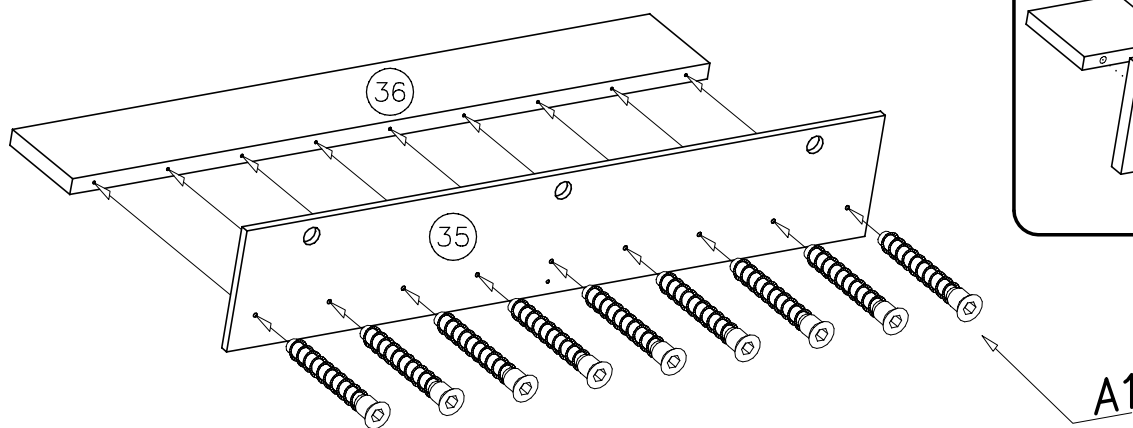
	<b>U6</b>  ø8x40 x...(1)	<b>G28</b>  4x60 x...(1)	<b>I8</b>  ø14 x...(1)	<b>G46</b>  6x8 x...(6)
<b>A1</b>  ø7x50 x...(9)	<b>W2</b>  x...(1)	<b>U1</b>  x...(3)	<b>U7S</b>  x...(3)	<b>U8</b>  ø10x50 x...(3)

I

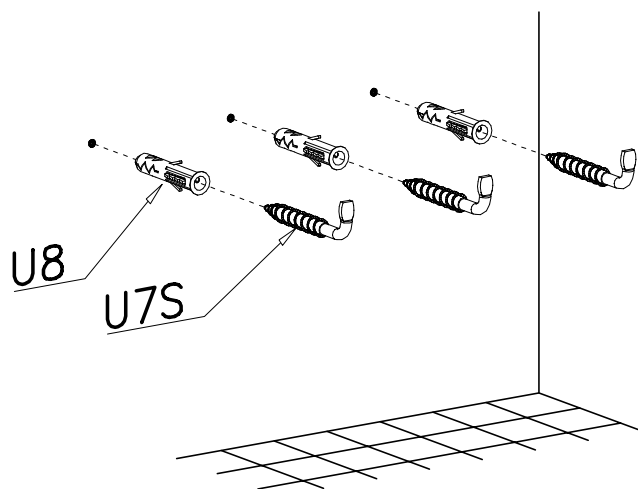
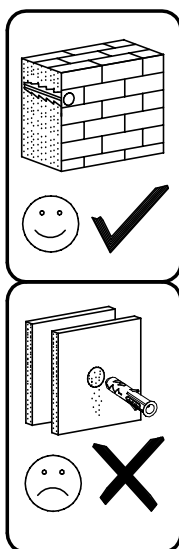
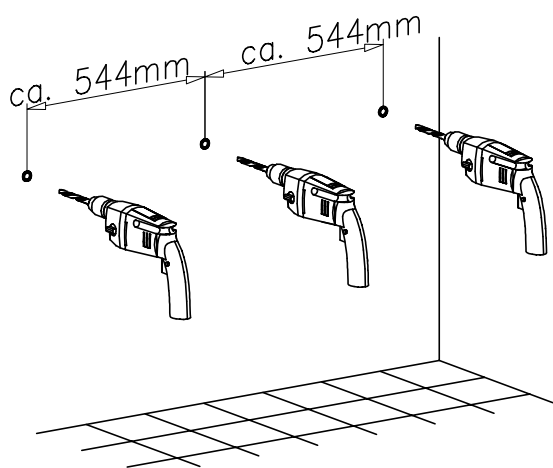




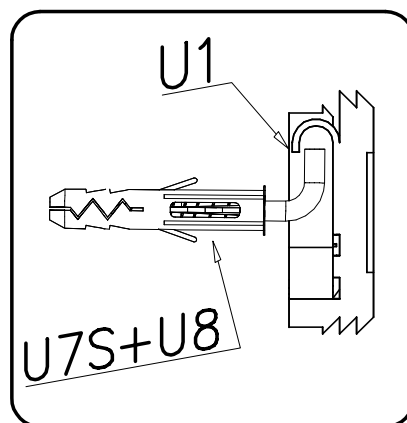
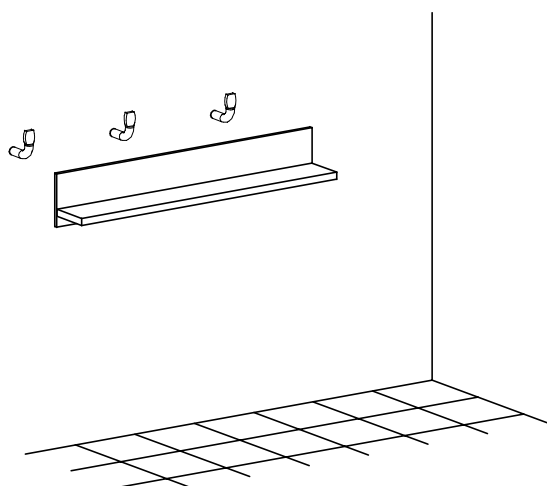
II

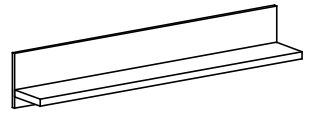


III



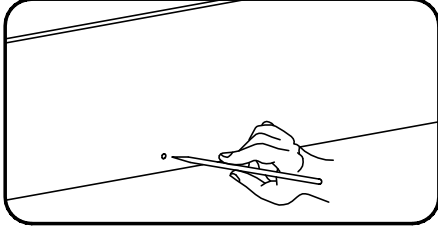
IV



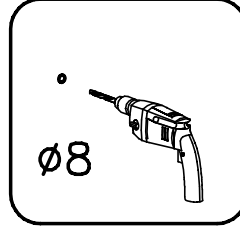


V

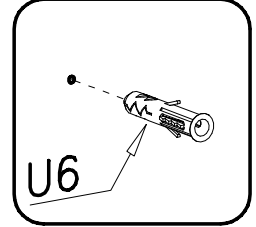
1



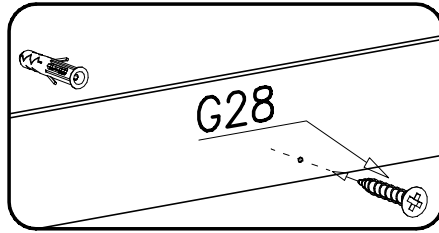
2



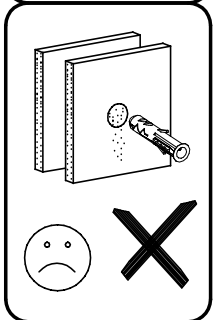
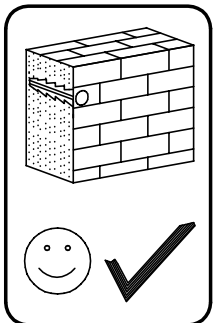
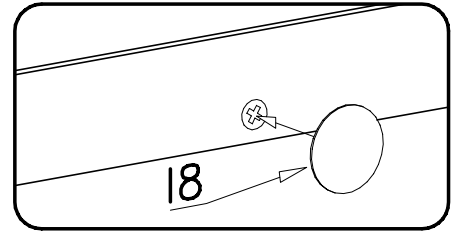
3



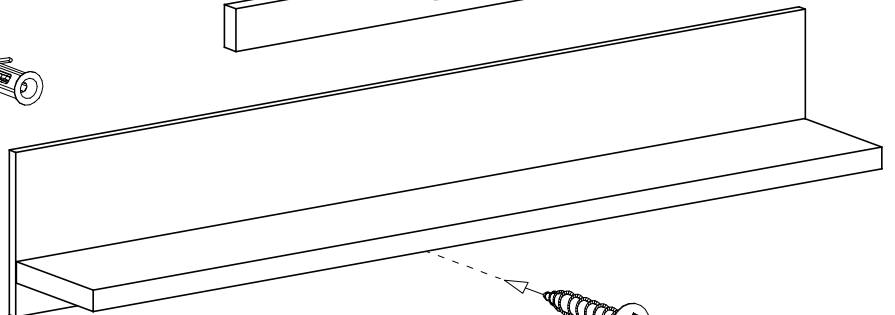
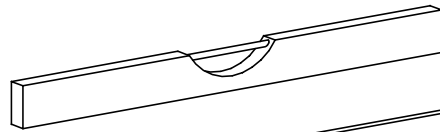
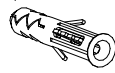
4



5



U6



G28