

# *ASSEMBLY INSTRUCTIONS*



## ***ACCENT CABINET***

REVISION 0 : 12/29/2021  
REVISION 1 : 07/01/2022  
REVISION 2 : 06/24/2024

# ASSEMBLY INSTRUCTIONS

## ASSEMBLY TIPS:

1. Remove hardware from box and sort by size.
2. Please check to see that all hardware and parts are present prior to start of assembly.
3. Please follow attached instructions in the same sequence as numbered to assure fast & easy assembly.



### WARNING!

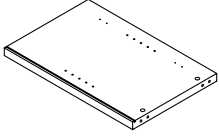
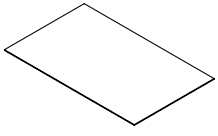
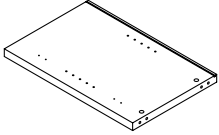
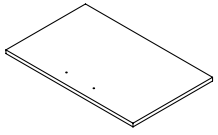
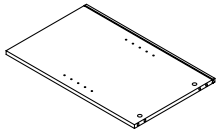
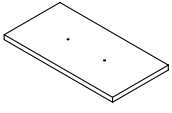
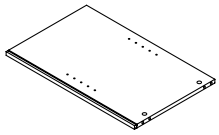
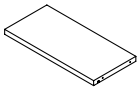
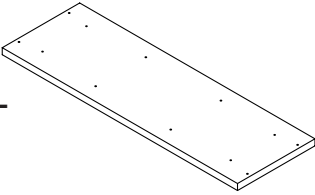
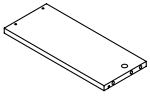
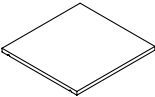
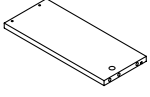
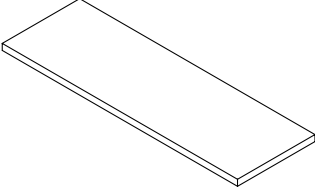
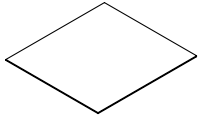
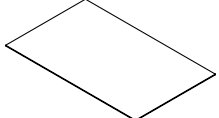
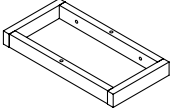
1. Don't attempt to repair or modify parts that are broken or defective. Please contact the store immediately.
2. This product is for home use only and not intended for commercial establishments.



ASSEMBLY TIME

90 MINUTES

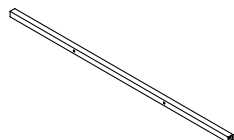
## PARTS IDENTIFICATION

A	LEFT SIDE PANEL		1 PC	I	MIDDLE BACK PANEL		1 PC
B	RIGHT SIDE PANEL		1 PC	J	DOOR		2 PCS
C	LEFT DIVIDER PANEL		1 PC	K	DRAWER FRONT PANEL		3 PCS
D	RIGHT DIVIDER PANEL		1 PC	L	DRAWER BACK PANEL		3 PCS
E	BOTTOM PANEL		1 PC	M	DRAWER LEFT SIDE PANEL		3 PCS
F	ADJUSTABLE SHELF		2 PCS	N	DRAWER RIGHT SIDE PANEL		3 PCS
G	TOP PANEL		1 PC	O	DRAWER BOTTOM PANEL		3 PCS
H	BACK PANEL		2 PCS	P	LEG FRAME		2 PCS

### NOTE:

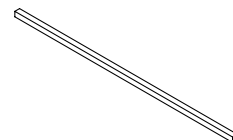
Phillips head screw driver is required in the assembly process; however, manufacturer does not provide this item.

**Q UPPER CROSSBAR**



1 PC

**R LOWER CROSSBAR**



1 PC

## HARDWARE IDENTIFICATION

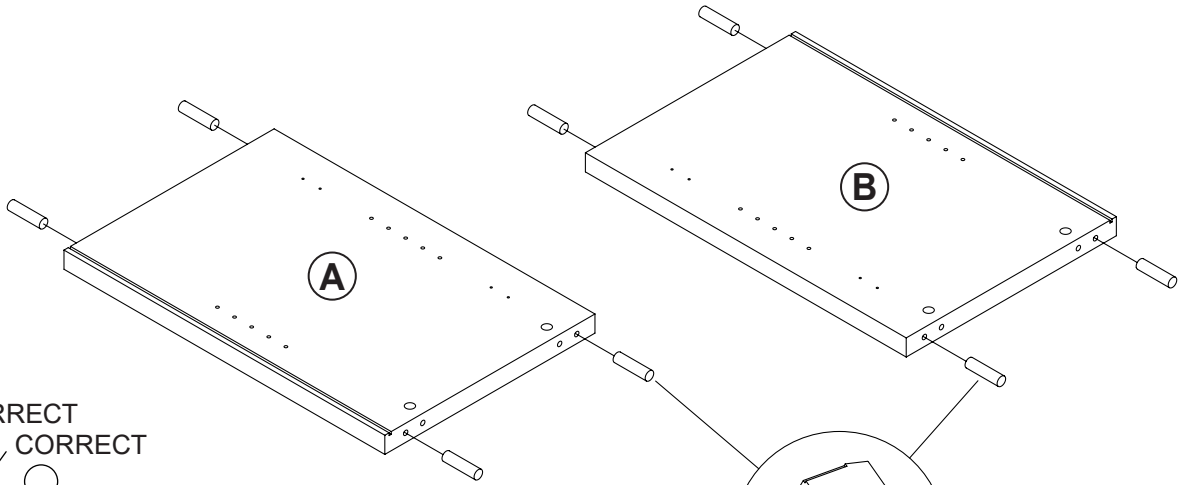
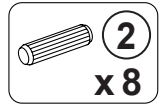
Z							
NO	DESCRIPTION	FIGURE	Q'TY	NO	DESCRIPTION	FIGURE	Q'TY
1	GLUE 40g		1 PC	11	HANDLE BOLT Ø4x28mm BLK		10 PCS
2	WOODEN DOWEL Ø8x30mm		28 PCS	12	HINGE Ø35mm SR		4 PCS
3	CAM BOLT Ø7x35.5mm SR		14 PCS	13	HINGE SCREW Ø4x15mm SR		16 PCS
4	CAM LOCK Ø15x12mm SR		14 PCS	14	BOLT M6x58mm BLK		4 PCS
5	BOLT Ø9.5x55mm SR		8 PCS	15	BOLT Ø7x40mm BLK		4 PCS
6	SCREW Ø4.3x35mm SR		14 PCS	16	FLOOR PROTECTOR 40x20mm		4 PCS
7	PIN FOR ADJUSTABLE SHELF Ø4.9x15mm SR		8 PCS	17	ALLEN WRENCH 4mm SR		1 PC
8	GLIDES L = 350mm BLK		3 SET	18	FIXER		6 PCS
9	GLIDES SCREW Ø3x12mm BLK		36 PCS	19	FIXER SCREW Ø3x19mm SR		6 PCS
10	HANDLE L=137.5mm		5 PCS	20	STICKER-CEMENT		1 PC
				21	STICKER-WEATHERED OAK		2 PCS

**Z8,Z10,Z12 not included in blister packaging.**

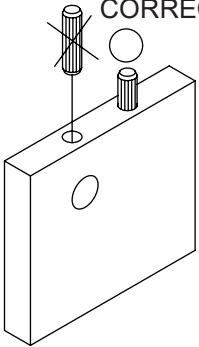
**NOTE:**

Phillips head screw driver is required in the assembly process; however, manufacturer does not provide this item.

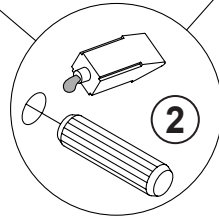
# STEP 1



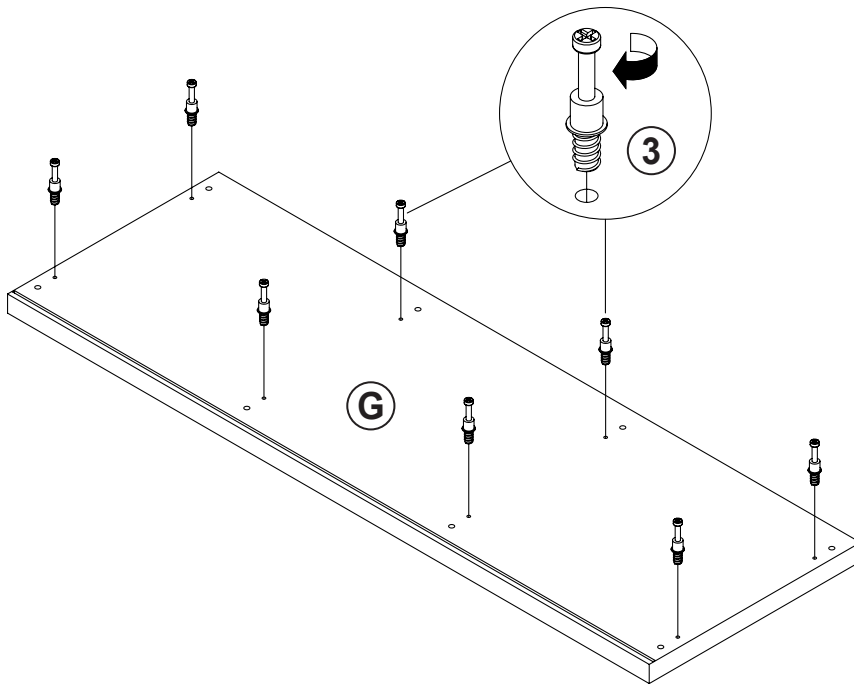
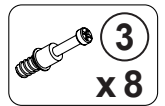
INCORRECT  
CORRECT



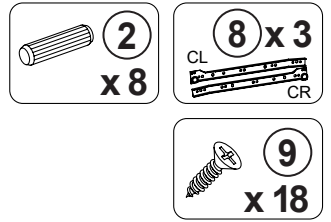
Apply glue on all wooden dowels to ensure integrity of the structure.



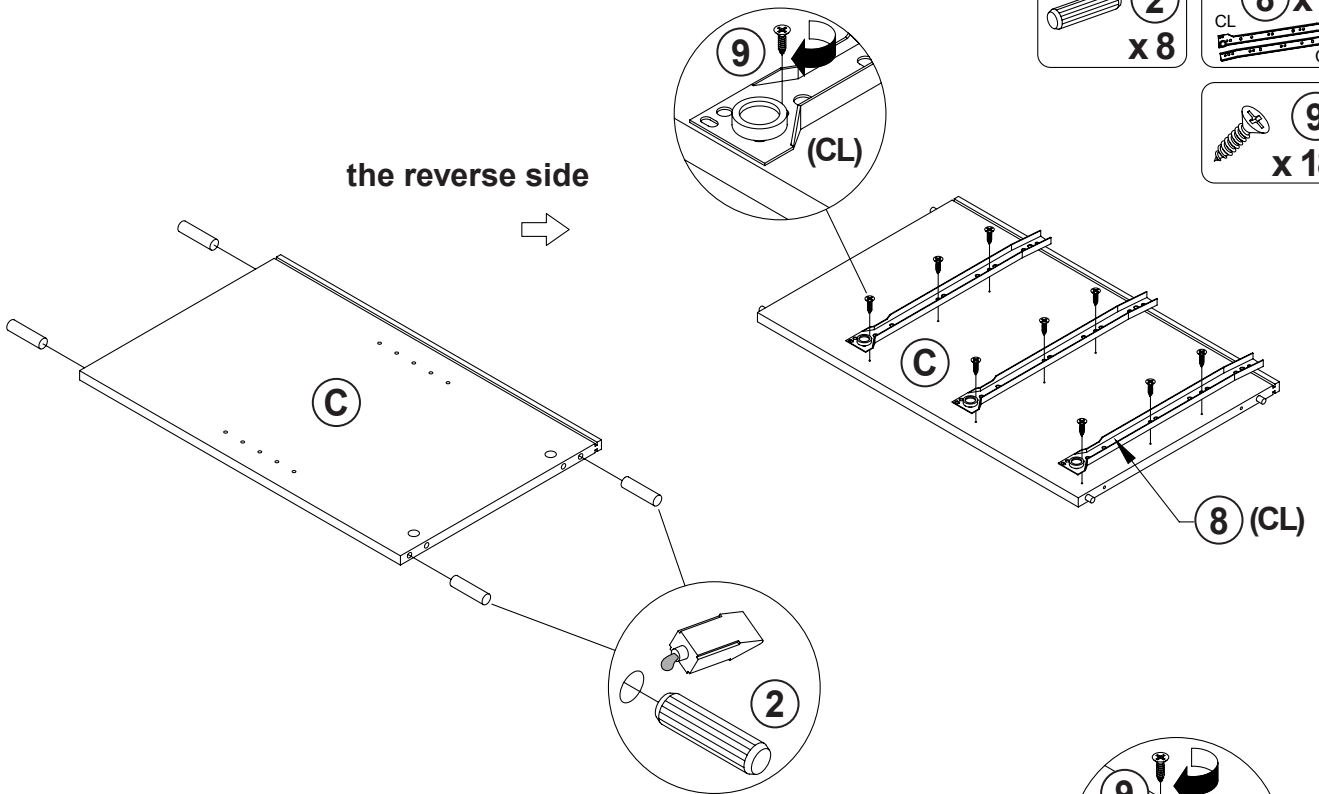
# STEP 2



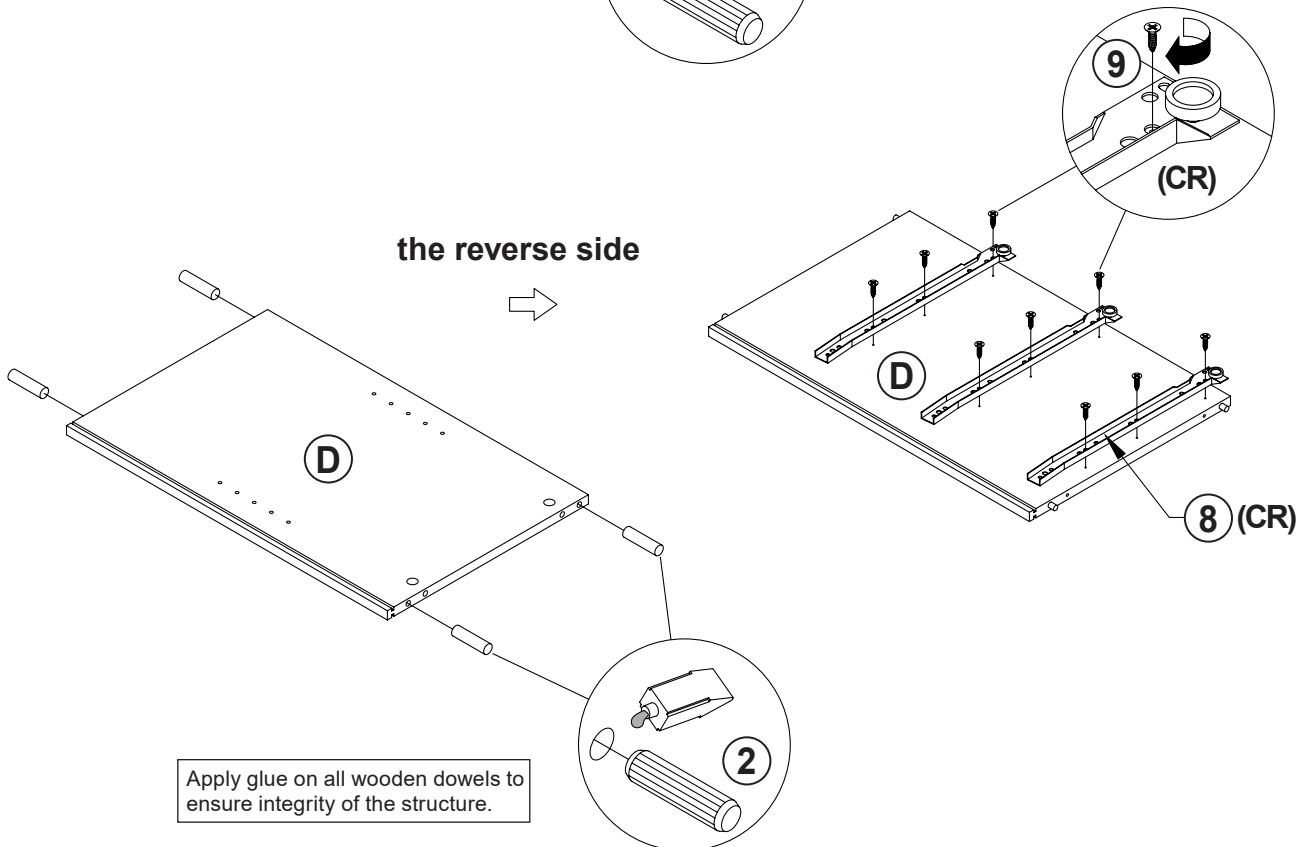
# STEP 3



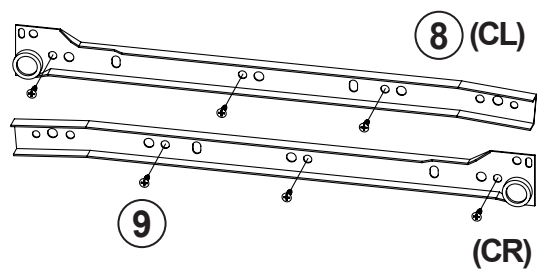
the reverse side



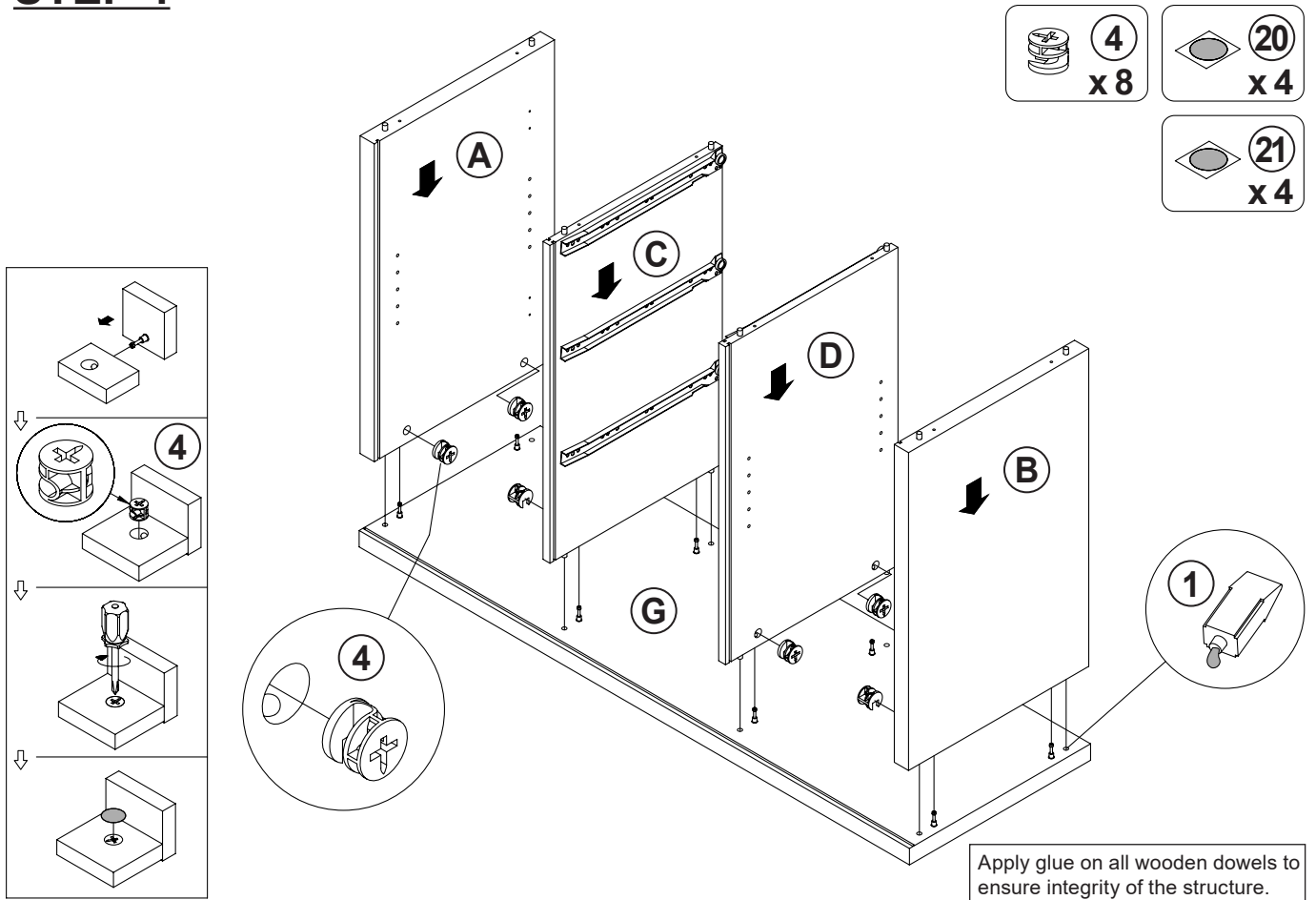
the reverse side



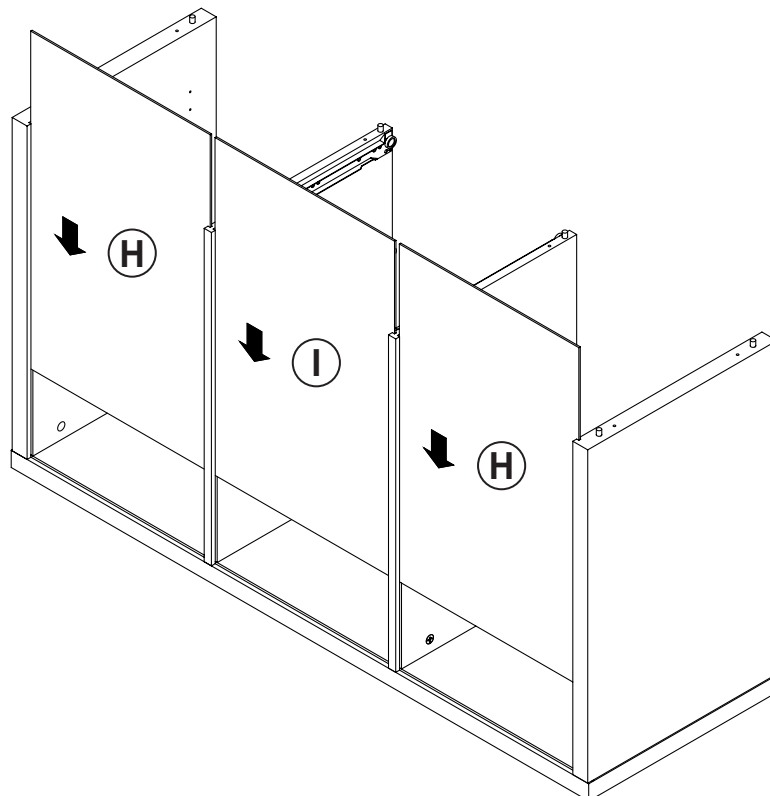
Apply glue on all wooden dowels to ensure integrity of the structure.



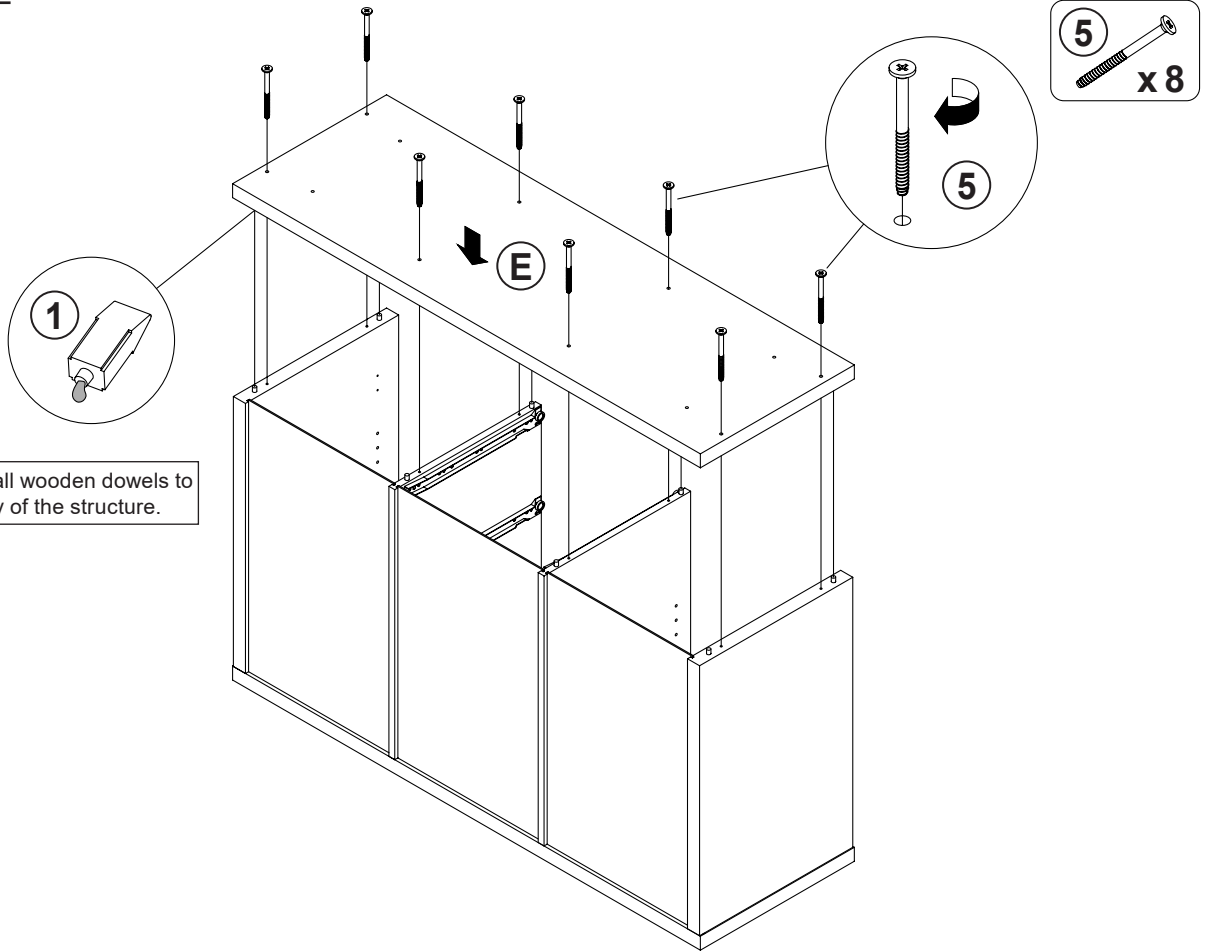
## STEP 4



## STEP 5

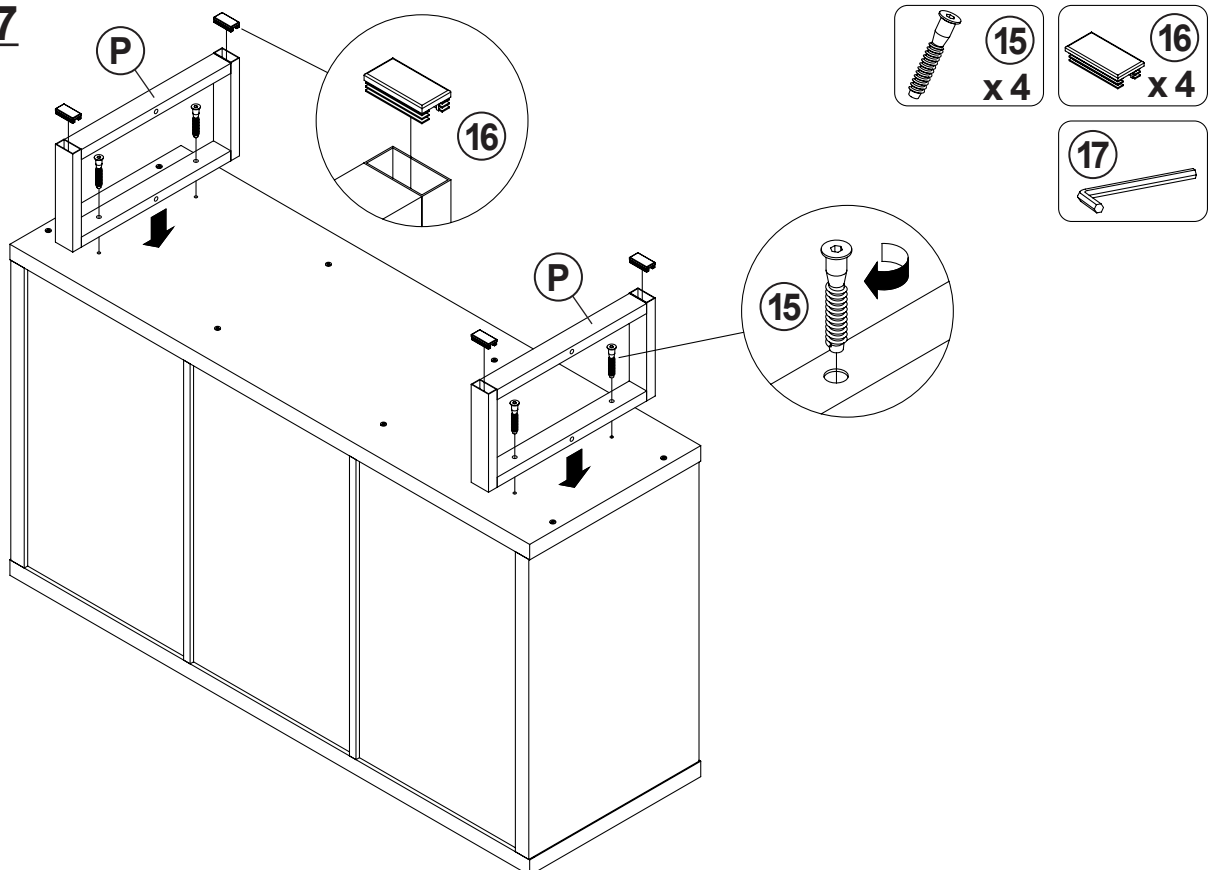


## STEP 6

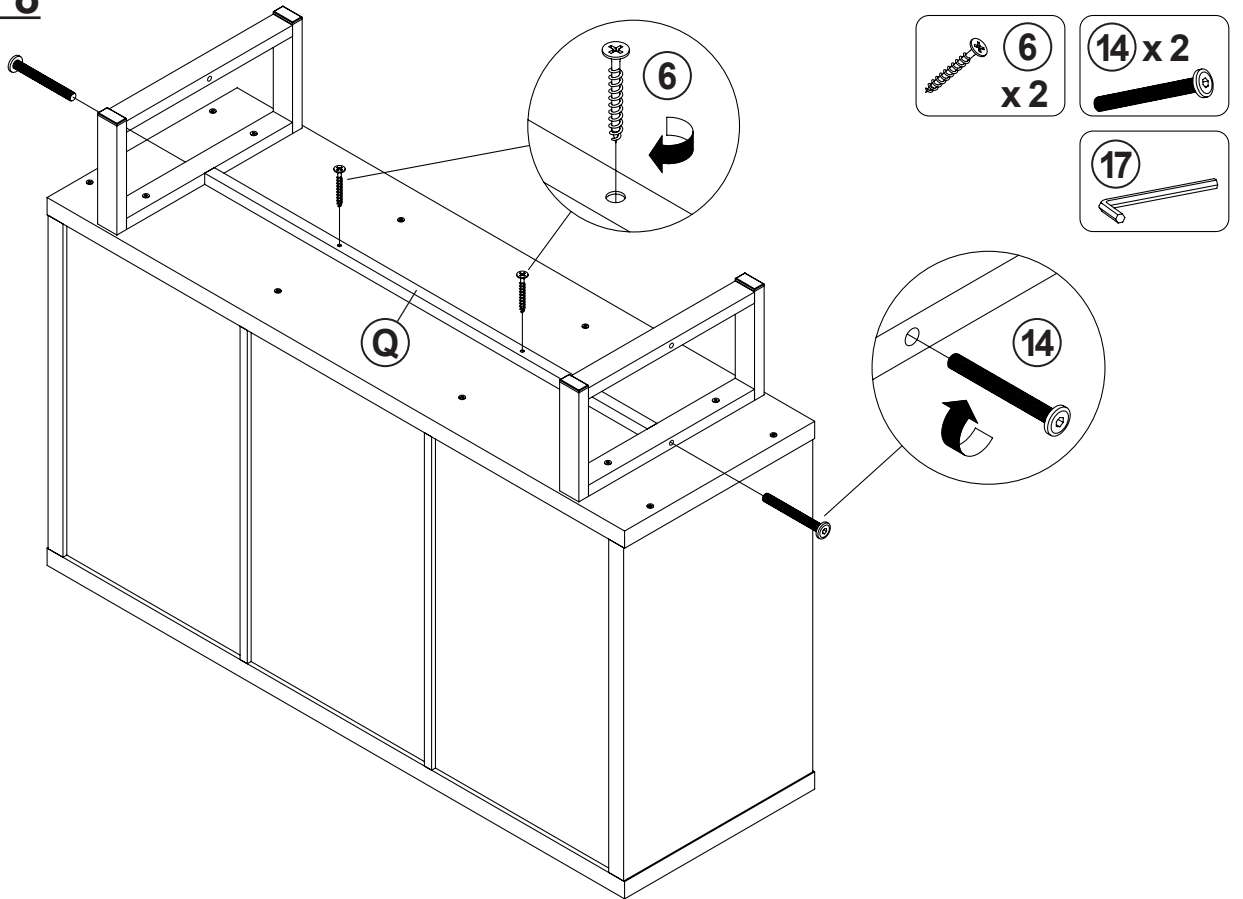


Apply glue on all wooden dowels to ensure integrity of the structure.

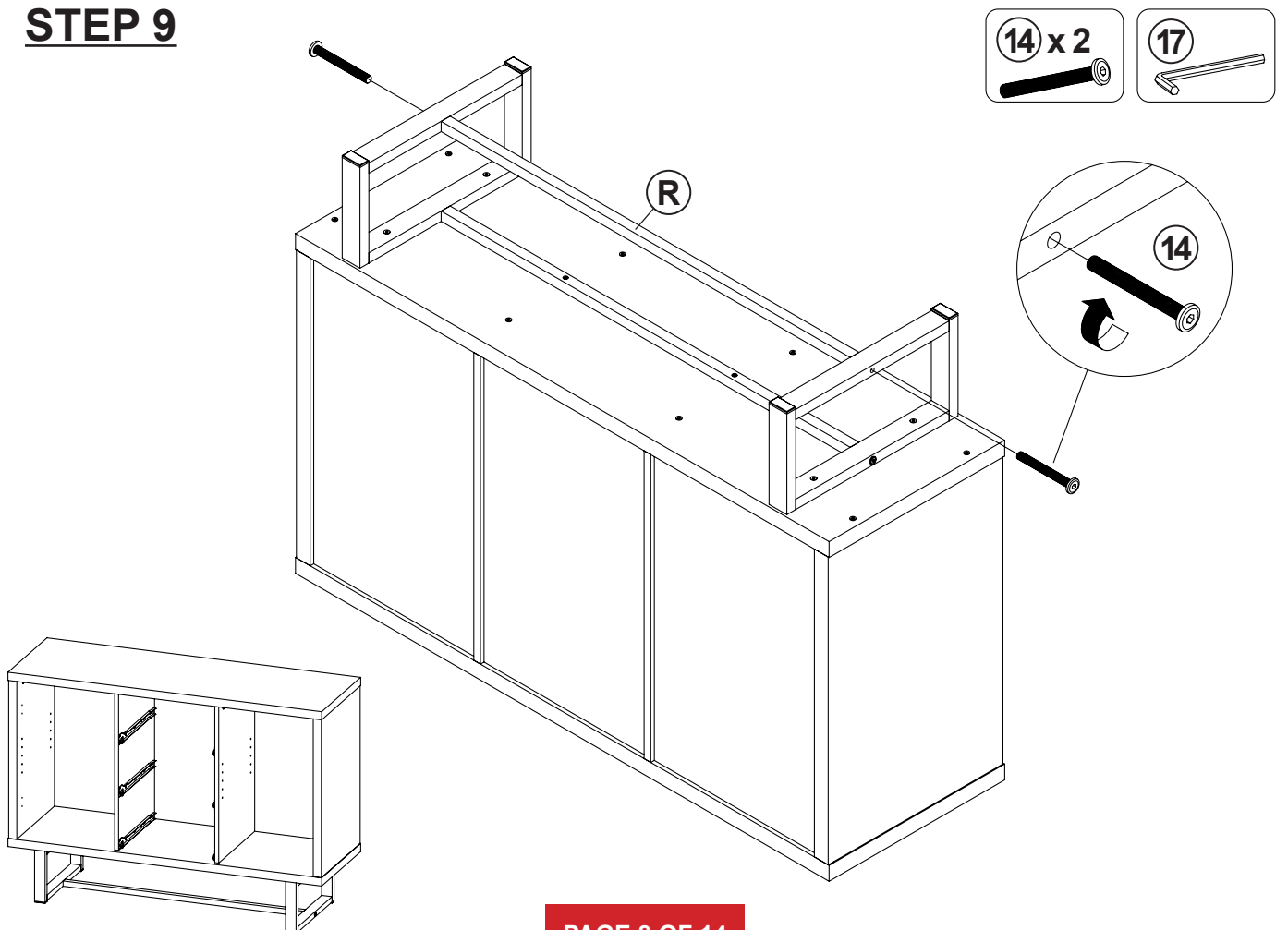
## STEP 7



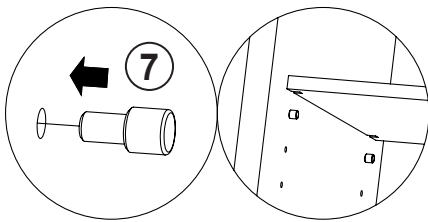
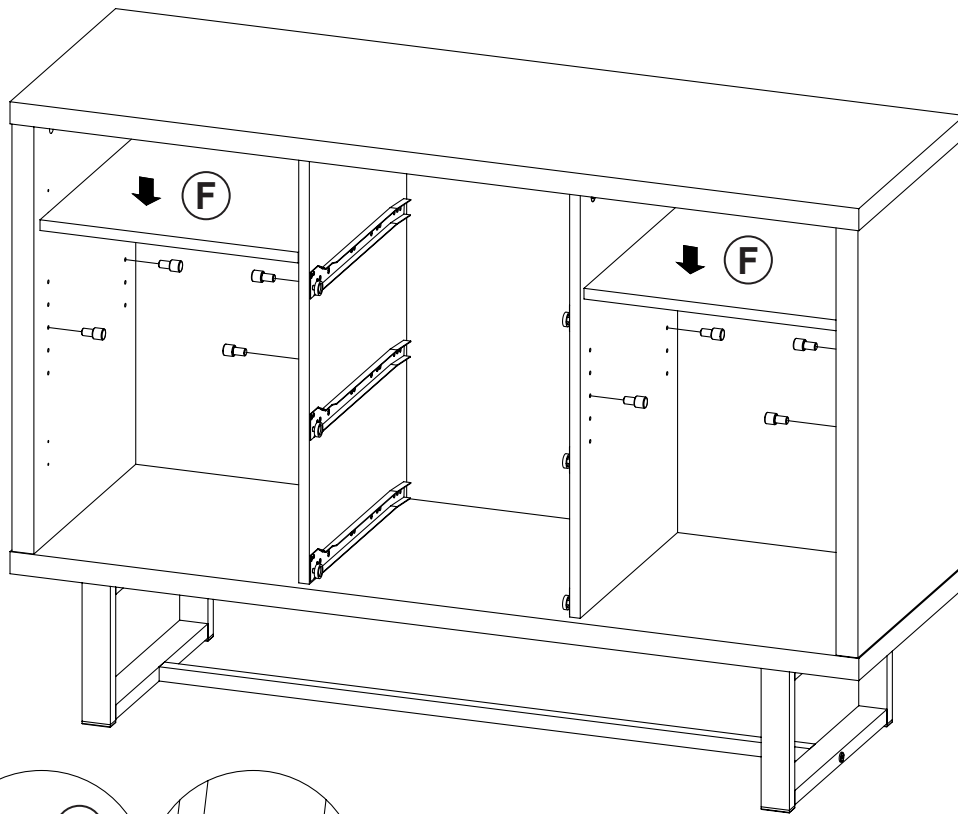
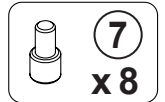
## STEP 8



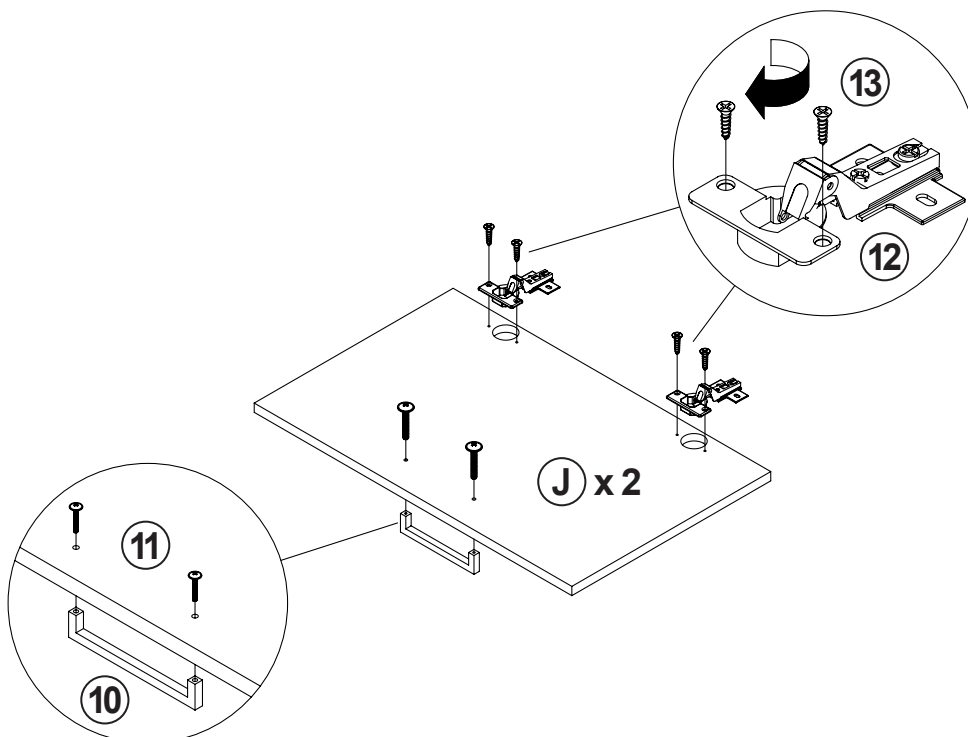
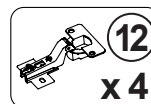
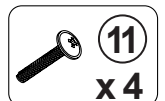
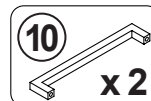
## STEP 9



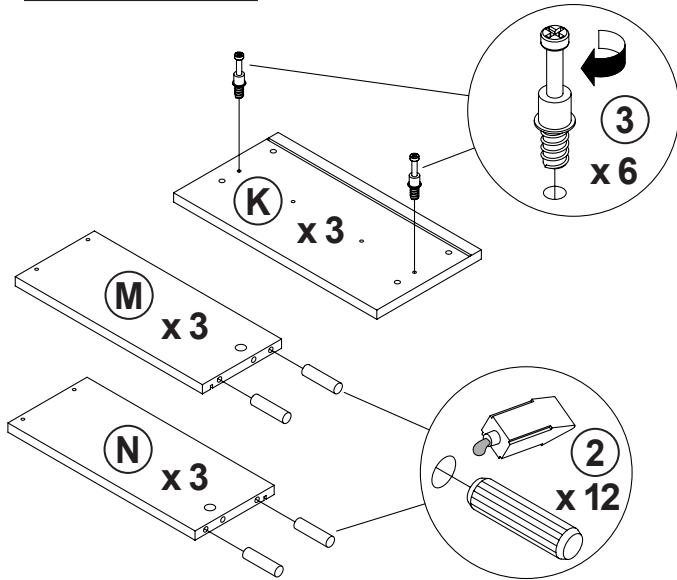
## STEP 10



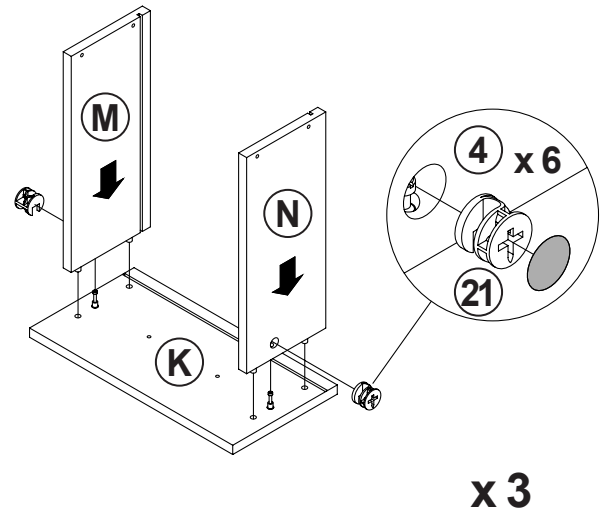
## STEP 11



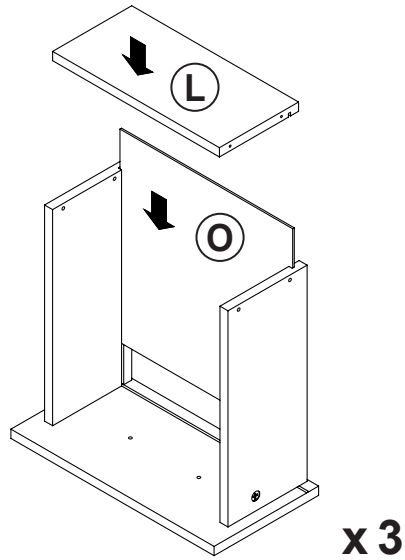
### STEP 12-1



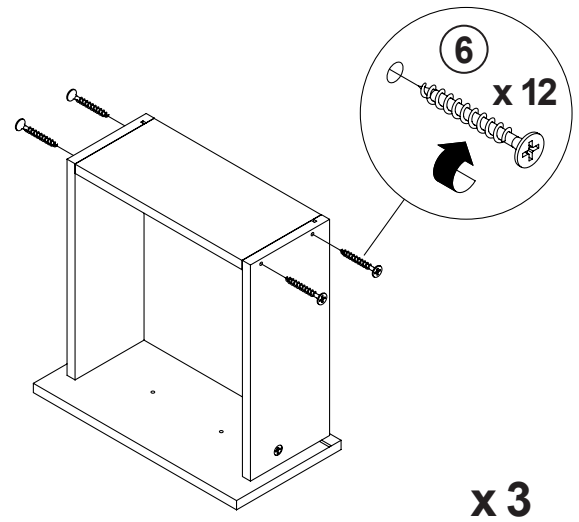
### STEP 12-2



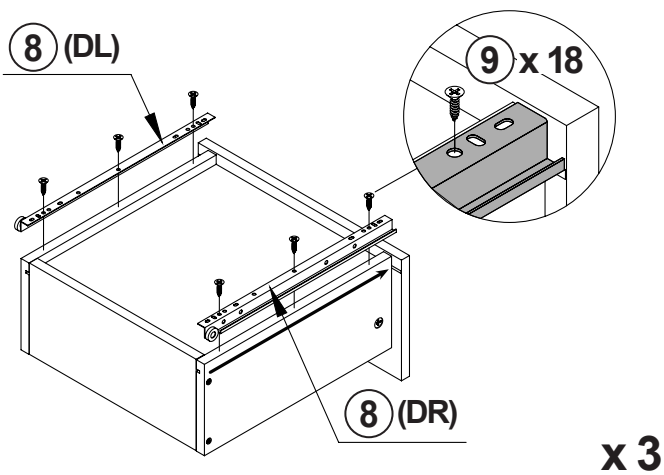
### STEP 12-3



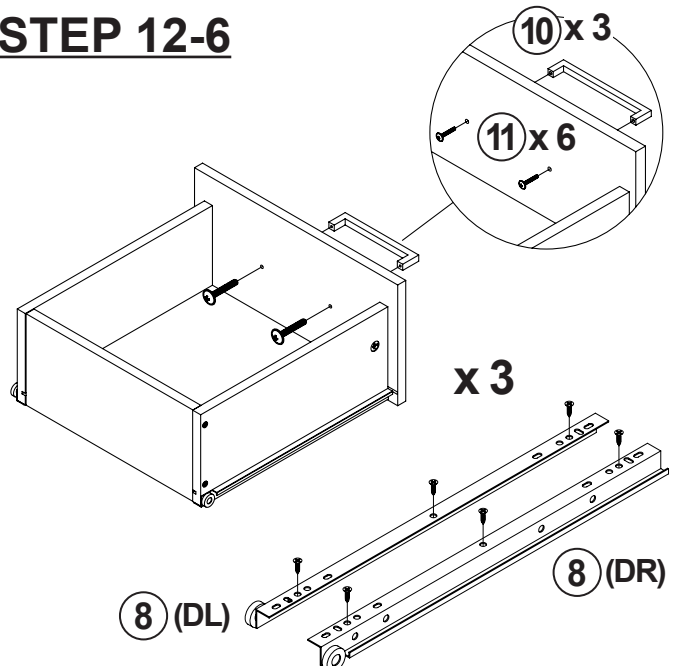
### STEP 12-4




### STEP 12-5

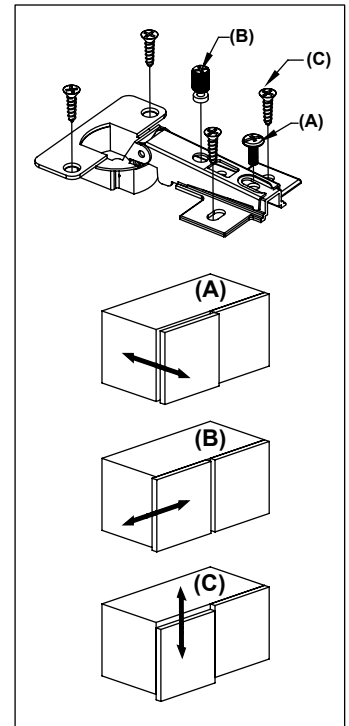
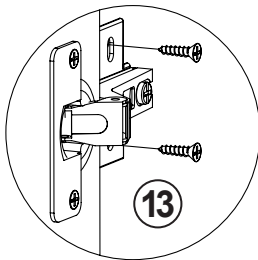
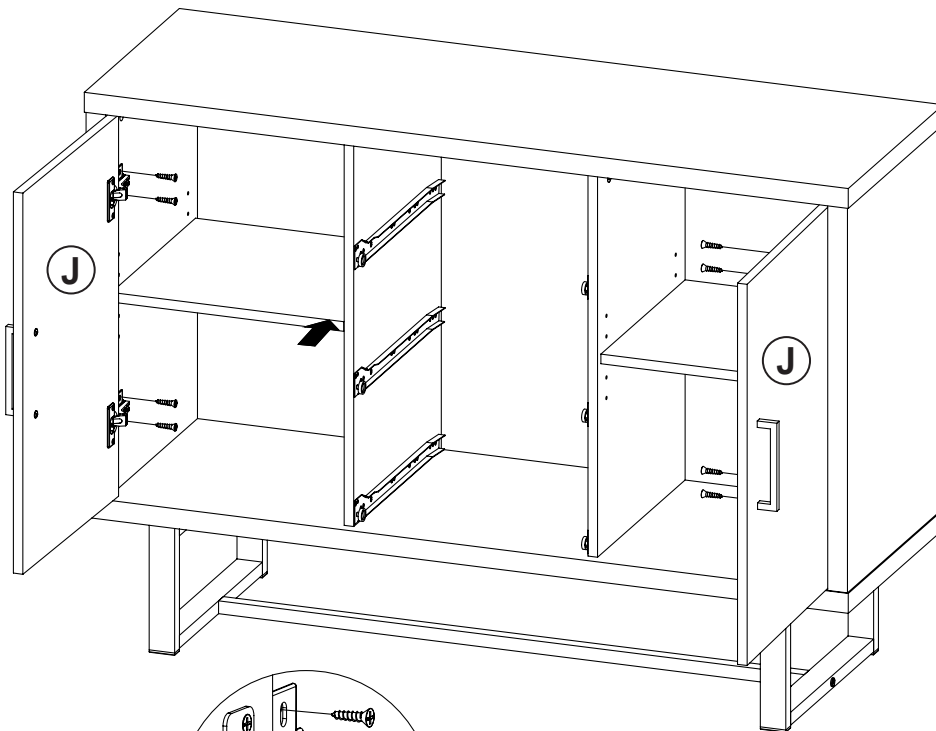


### STEP 12-6

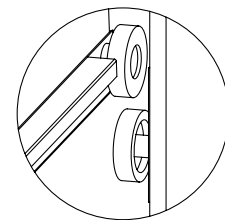
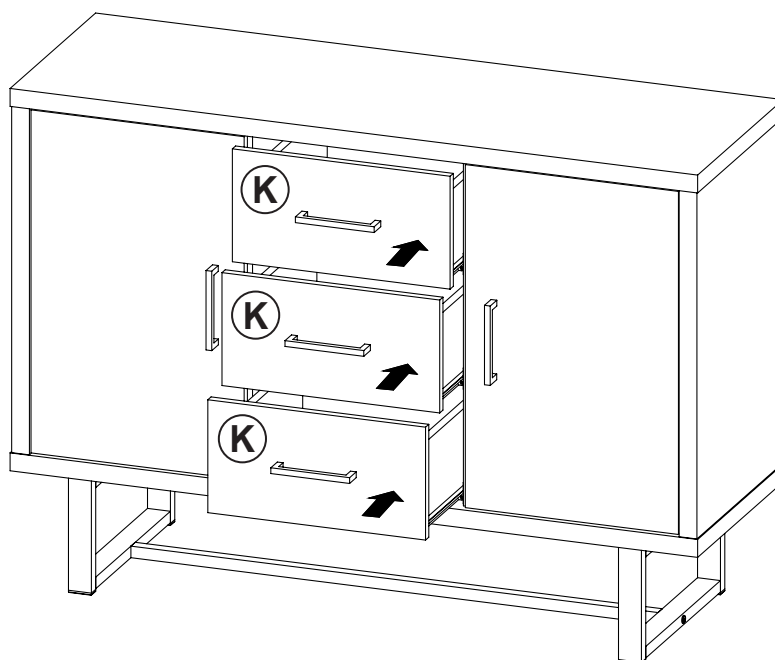


## STEP 13

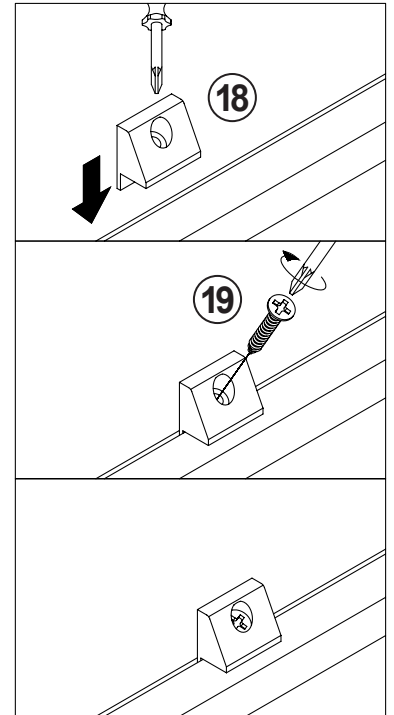
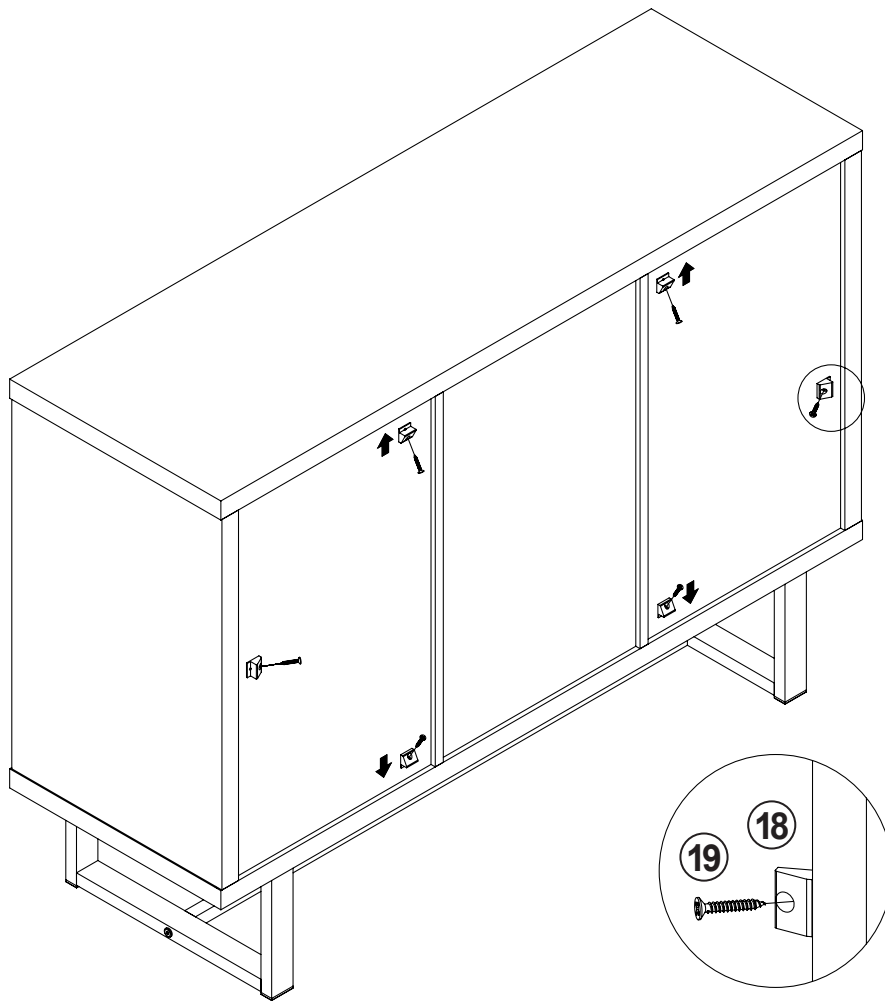
 **13**  
x 8



## STEP 14

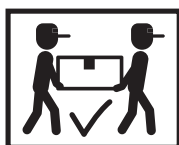
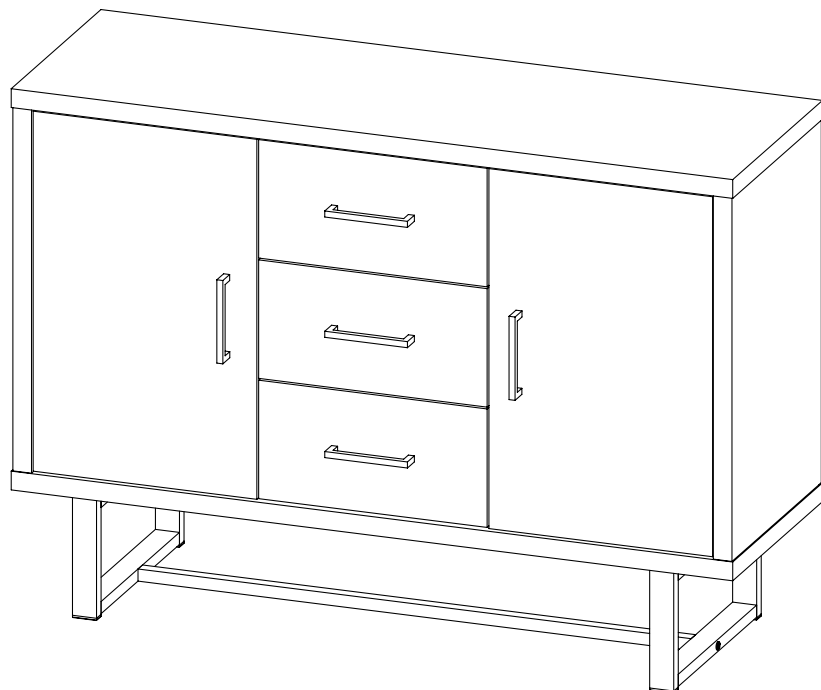


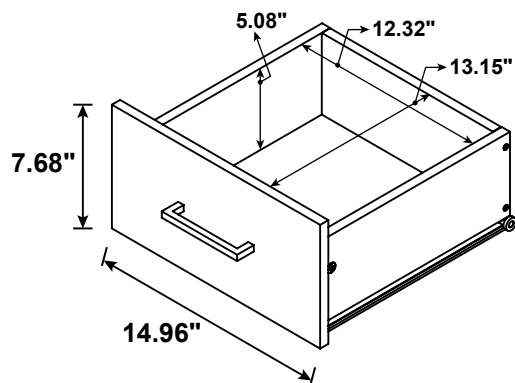
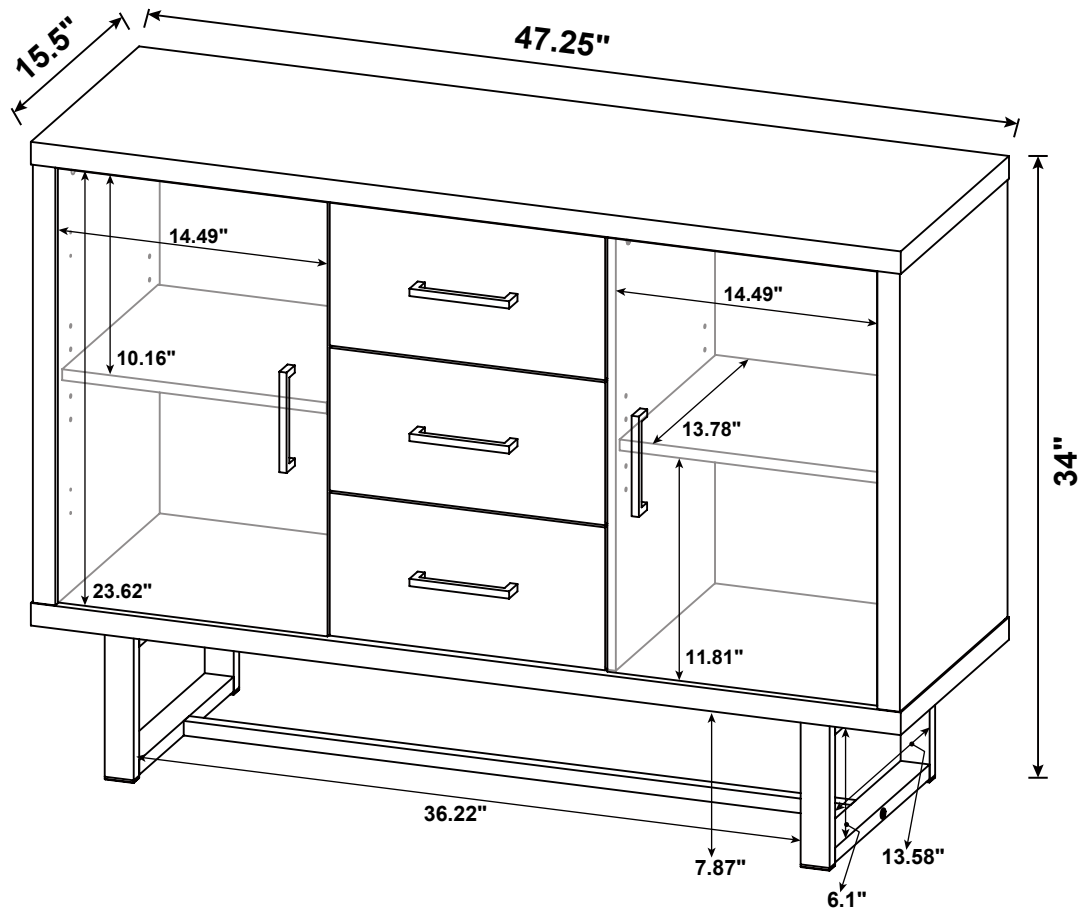
## STEP 15



## STEP 16

COMPLETE





**Note :** Dimension tolerance  $\pm 5\%$

# ANTI-TIPPING INSTALLMENT INSTRUCTIONS

## FURNITURE TIPPING RESTRAINT

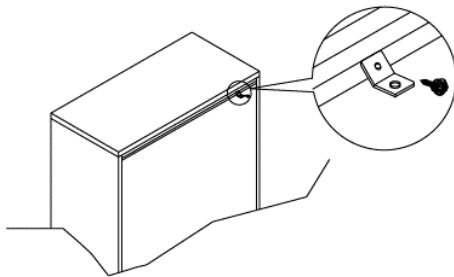
### WARNING

Injury may result from tipping furniture.  
This restraint may protect against tipping furniture.  
Do not allow children to climb on furniture.  
This restraint is not a substitute for proper adult supervision.  
Failure to detach this restraint before moving the furniture may result in injury and damage.

This restraint must be screwed to a wood stud on the wall, using the long screw provided.

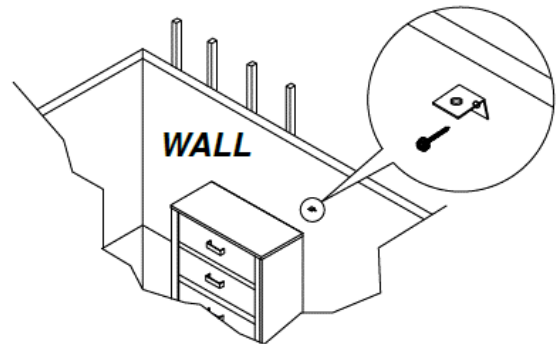
### STEP 1

Secure the bracket to the back top of the unit, using the short screw provided, as shown in the drawing.



### STEP 2

Locate the wood stud on the wall, and secure the other bracket, 2 inches below the back of the unit.



### STEP 3

Place the furniture into position so both mounting brackets are vertically in line. Lace the end of the restraint strap through the larger hole in each mounting bracket. Bring both ends together and slide the flat end through the locking end, and drag it through, until the slack is removed. Ensure that the strap is securely laced and locked.

