



BARN LIGHT ELECTRIC COMPANY

INSTALLATION INSTRUCTIONS 2-HOLE STEM MOUNT CANOPY

Thank you for purchasing from Barn Light Electric, America's leading manufacturer of hand-crafted shades and exclusive source for porcelain enamel lighting! For questions or concerns about your purchase, please contact us!

INS-0037 REV A (HWK-0040, HWK-0090)

IMPORTANT

Read all instructions before assembly. Installation is to be done by a qualified professional. **For wet locations, junction between the mounting surface and luminaire must be sealed with caulking.**

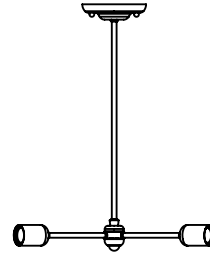
CAUTION: Risk of fire, this product must be installed in accordance with the applicable installation code by a person familiar with the construction and operation of the product and the hazards involved.

INSTRUCTIONS

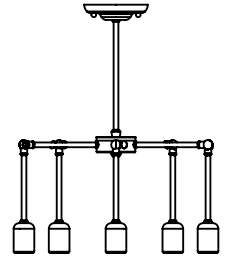
1. Disconnect power at the electrical panel before installation.
2. Attach canopy (A) to the stem (B) by placing the canopy (A), lock washer (C), ground wire (D) and nut (E) onto the stem (B). Tighten the nut (E) until the canopy (A) is secure.
3. Feed wires from fixture (F) through stem (B). Thread stem (B) into fixture (F) until tight.
4. If adapter bracket (G) is necessary, mount to junction box (I) using two mounting screws (H). **NOTE: Mounting screws (H) not included.**
5. **A. 2-WIRE CORD:** Use wire nuts (J) to connect power supply to the solid wire and neutral wire to the striped wire. **NOTE: Wire nuts (J) not included.**
B. 3-WIRE CORD: Use wire nuts (J) to connect power supply to the black wire and neutral wire to the white wire. **NOTE: Wire nuts (J) not included.**
6. Attach ground wire (D) to the junction box (I), green wire or bare wire.
7. Mount canopy (A) to the adapter bracket (G) (if used) or directly to the junction box (I) with the two screws (K) provided.

ALTERNATE FIXTURES

Although the illustration below includes an RLM shade, these alternative fixtures follow the same installation instructions.

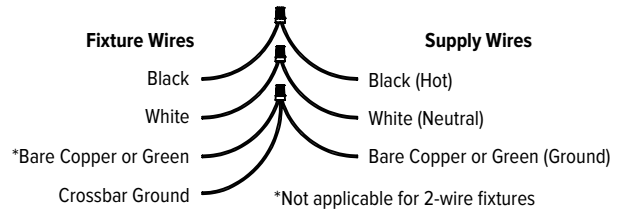


The Downtown Minimalist
3-Light Chandelier

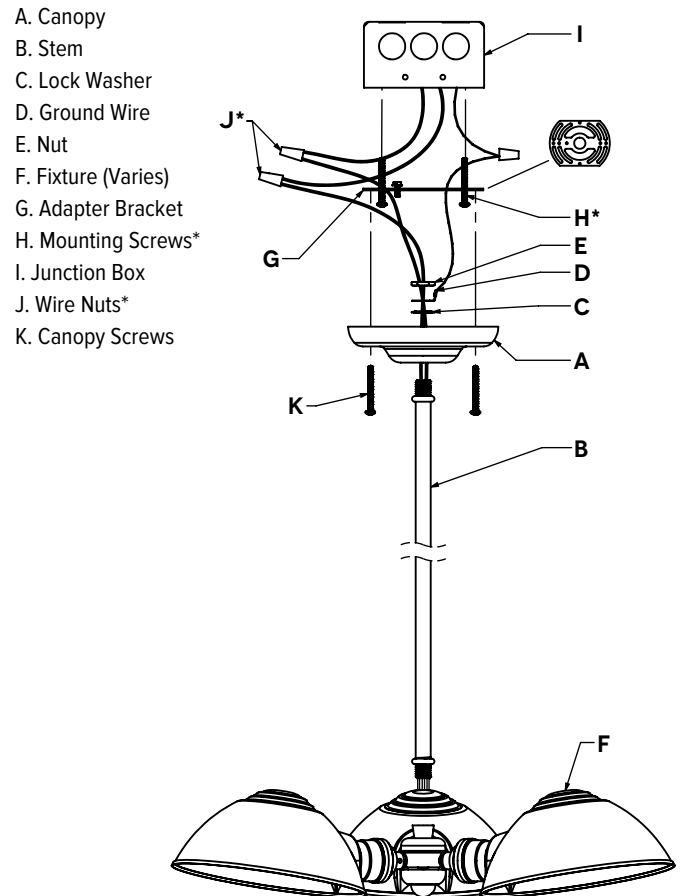


The Parson Adjustable
Arm Chandelier

WIRING DIAGRAM



2-HOLE STEM MOUNT CANOPY



***IMPORTANT:** Mounting screws and wire nuts not included in hardware kit. Standard screw sizes include: 6-32, 8-32, 10-24 and 10-32.