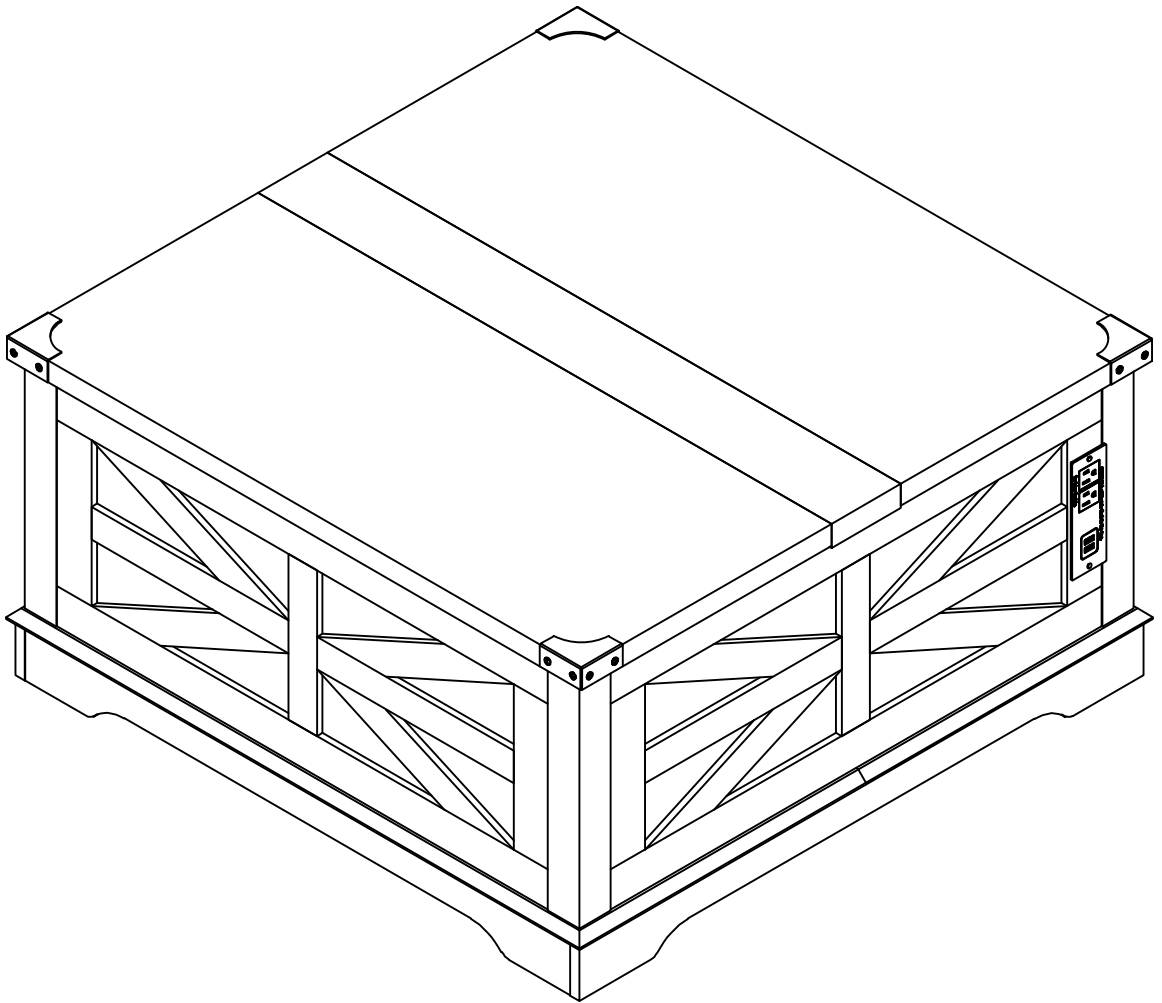


Manual

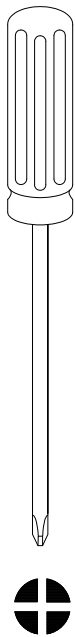




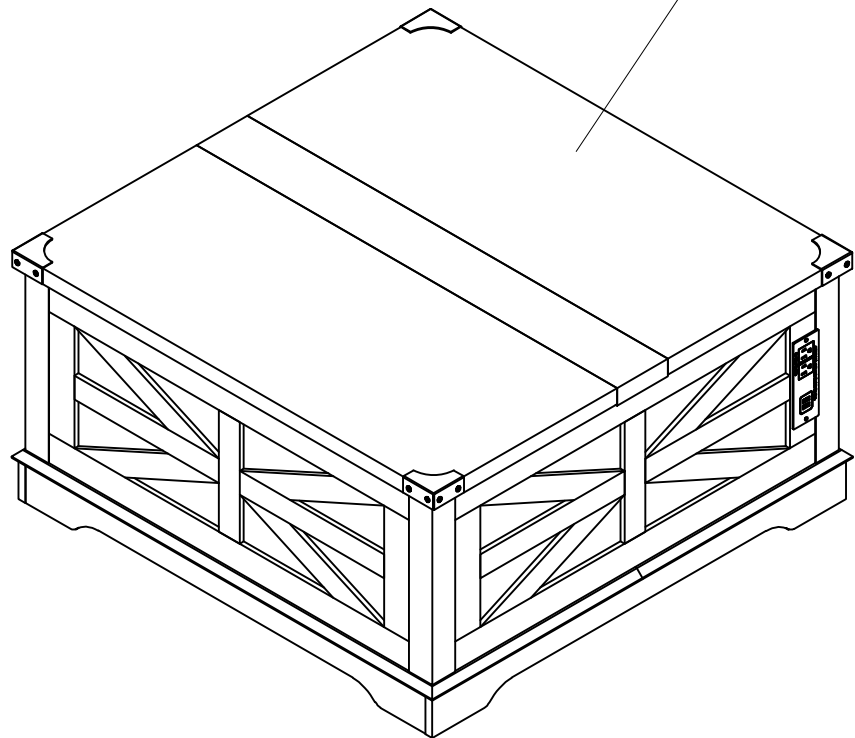
Weight Limitation

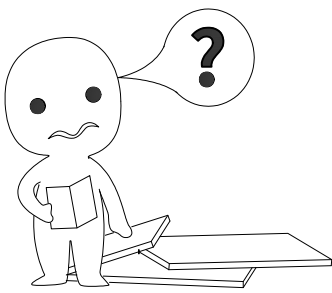
55 lb lift top status **110 lb** Top

Tools Needed (Not included)



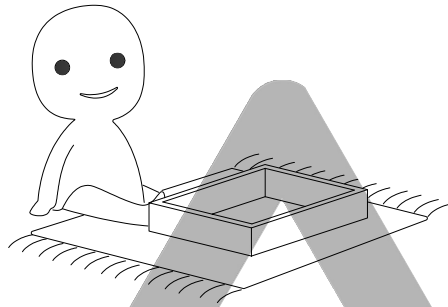
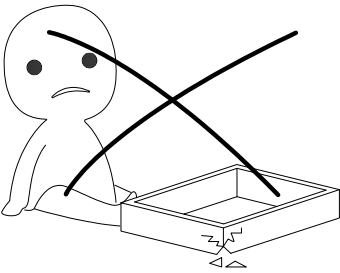
Maximum Load
110 LB / 50 Kg





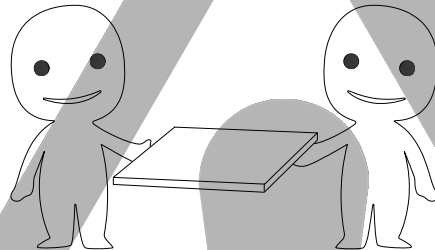
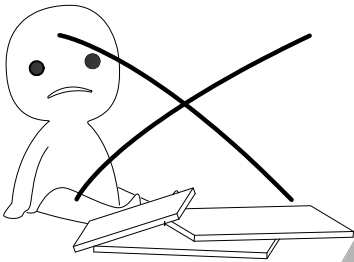
IMPORTANT INFORMATION!

please read the entire manual before starting to assemble and/or using this product. follow the manual thoroughly and keep it for further reference.



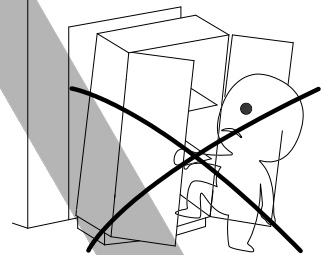
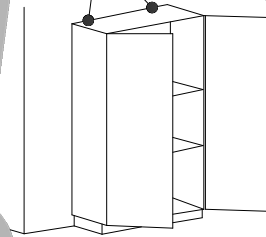
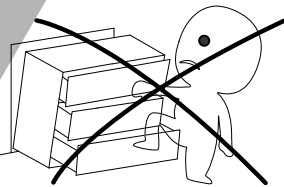
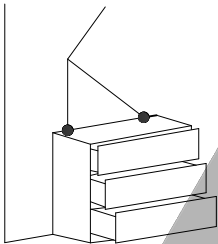
AVOID SCRATCHES!

In order to avoid scratching this furniture should be assembled on a soft layer- could be a rug.



IMPROVE EFFICIENCY !

Try to find a partner to install with you, which can speed up the installation efficiency and shorten the time.



ANTI-TOPPLE WARNING !

Overturnd furniture can cause serious or fatal crush injuries. To prevent tipping over, be sure to use the wall attachment, if not included with this product. Please purchase the wall attachment that fit your wall. If unsure, seek professional advice. Please read and follow each step of the instructions carefully.

IMPORTANT !

It is important that any product which is assembled using any kind of screw is re-tightened 2 weeks after assembly, and once every 3 months - in order to assure stability through-out the lifespan of the product.

For regular maintenance and cleaning of the product, for the frame, please use a rag dipped in neutral detergent to fully wipe it, and then dry it with a clean rag. For glass materials, wipe with a rag dampened with water glass cleaner, and then dry with a dry rag.

Do not use an electric screwdriver, and do not use too much force when installing, because the board is easy to break.

'SAFETY TIPS:

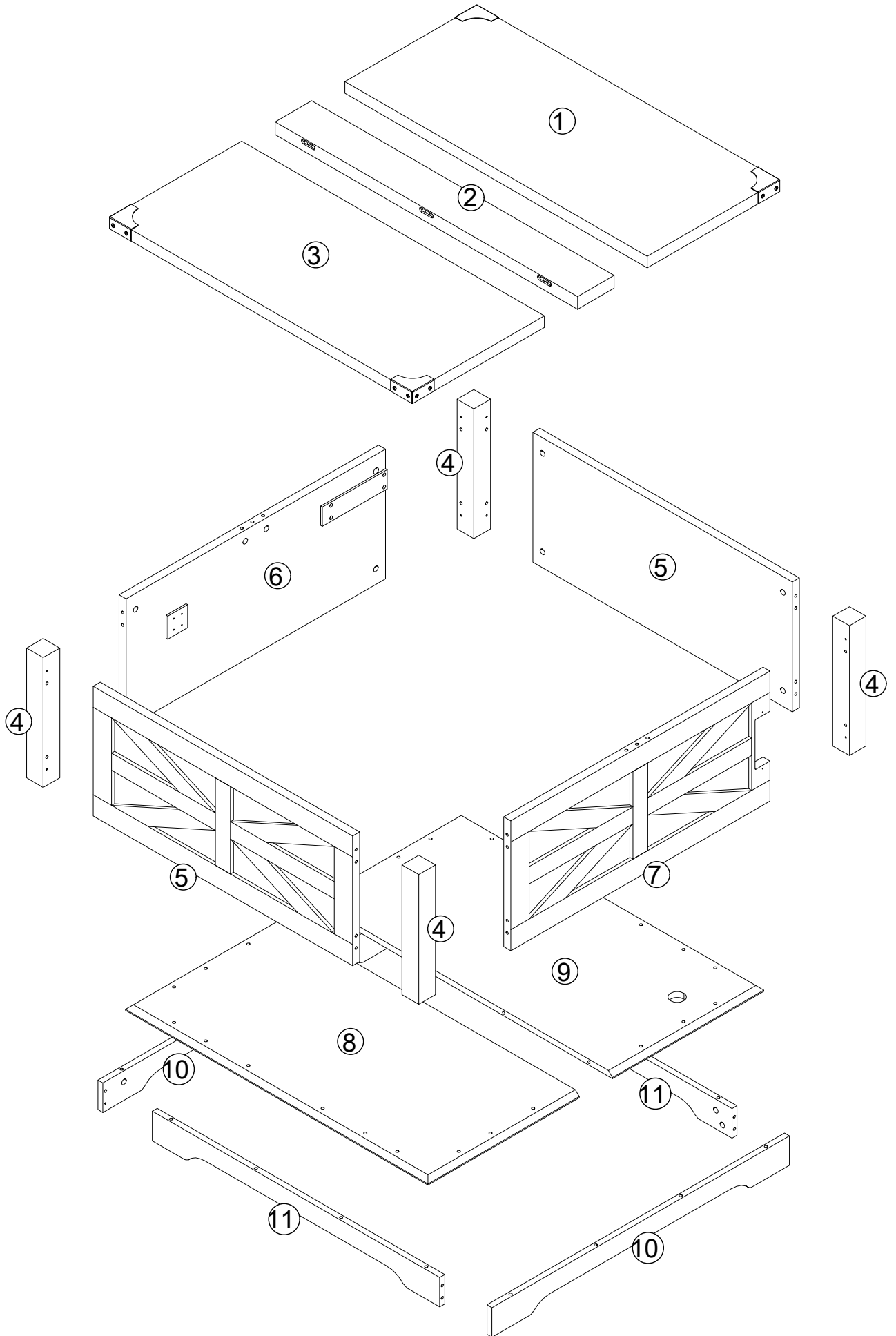
Static charge may cause dust on foam- clean with a dry or damp cloth.

Smafoam strands may represent - handle gently and dispose of properly.

Do not burn or incinerate.

Check local recycling guidelines.

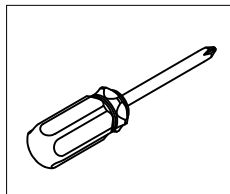
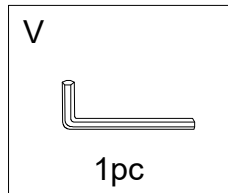
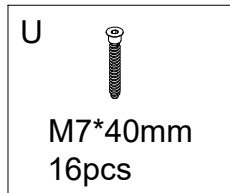
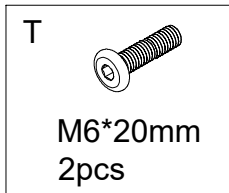
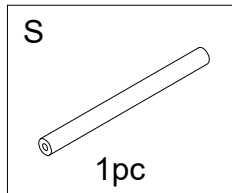
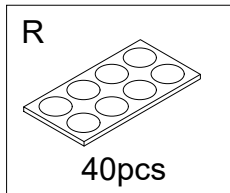
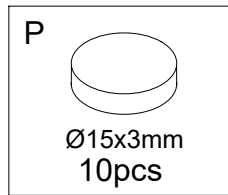
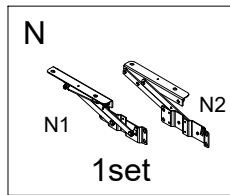
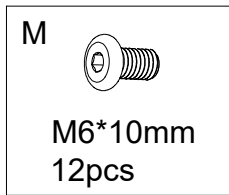
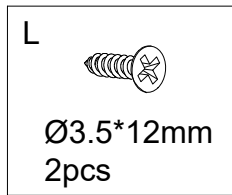
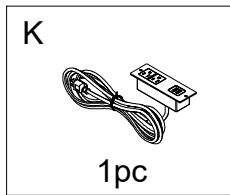
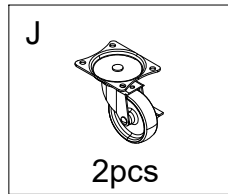
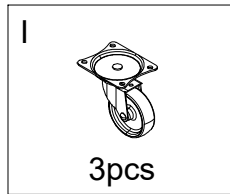
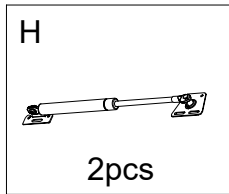
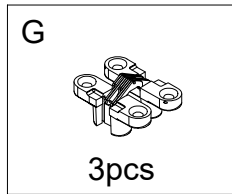
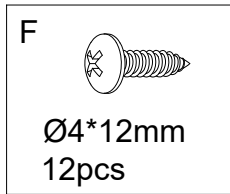
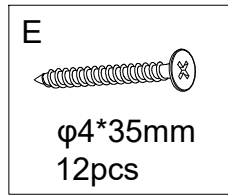
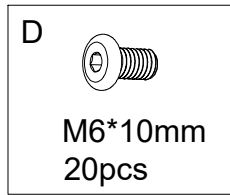
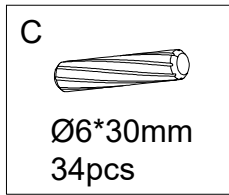
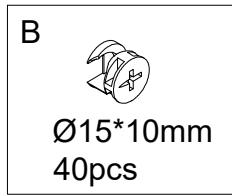
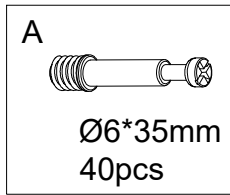
PACKAGE CONTENT



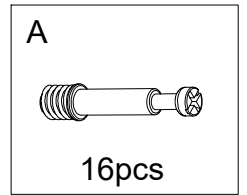
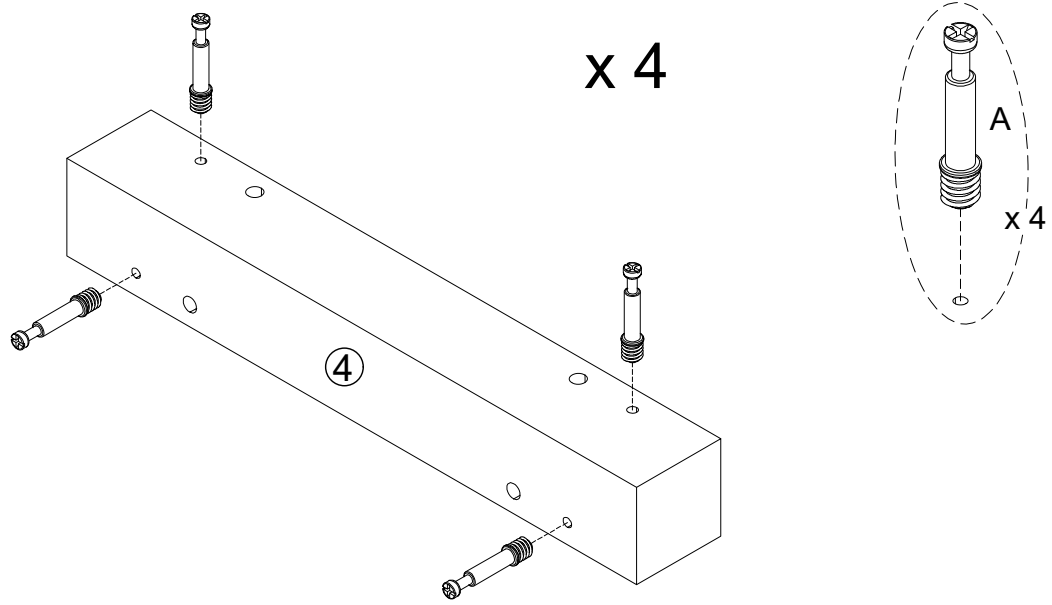
PACKAGE CONTENT

CODE	DESCRIPTION	QTY
1	Left top board	1
2	Middle Top Board	1
3	Right Top Board	1
4	Square pillar	4
5	Front Panel/Back Panel	2
6	Left Panel	1
7	Right Panel	1
8	left bottom plate	1
9	Right bottom plate	1
10	Left and right side panels	2
11	Front and rear side panels	2

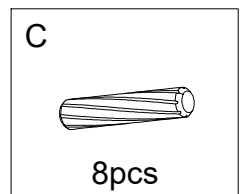
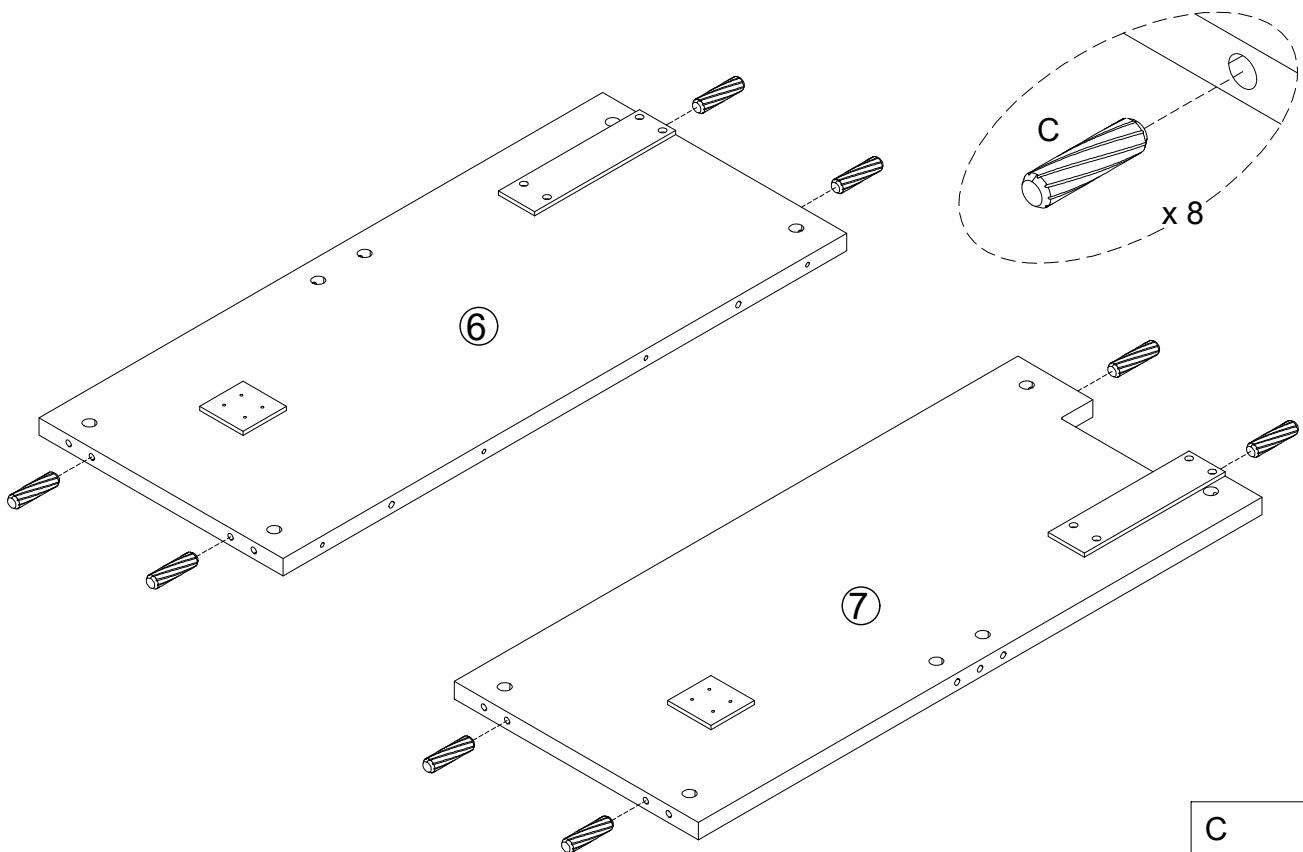
PACKAGE CONTENT



1

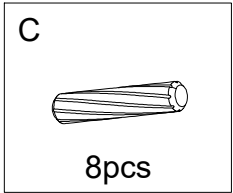
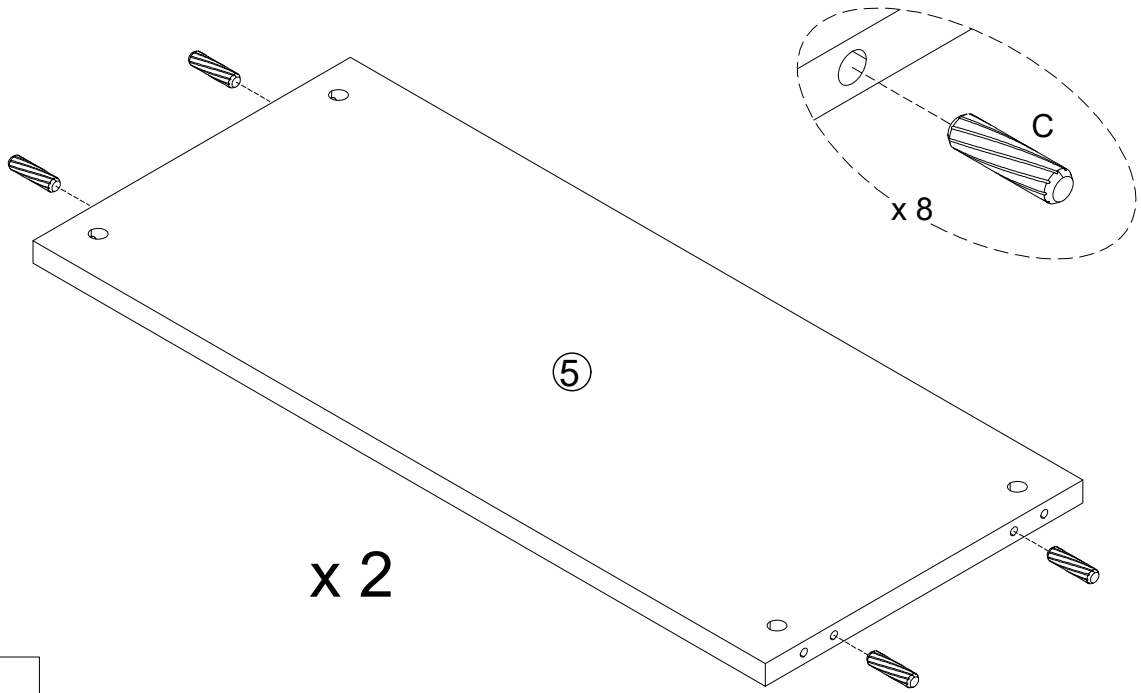


2

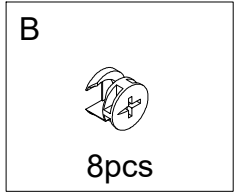
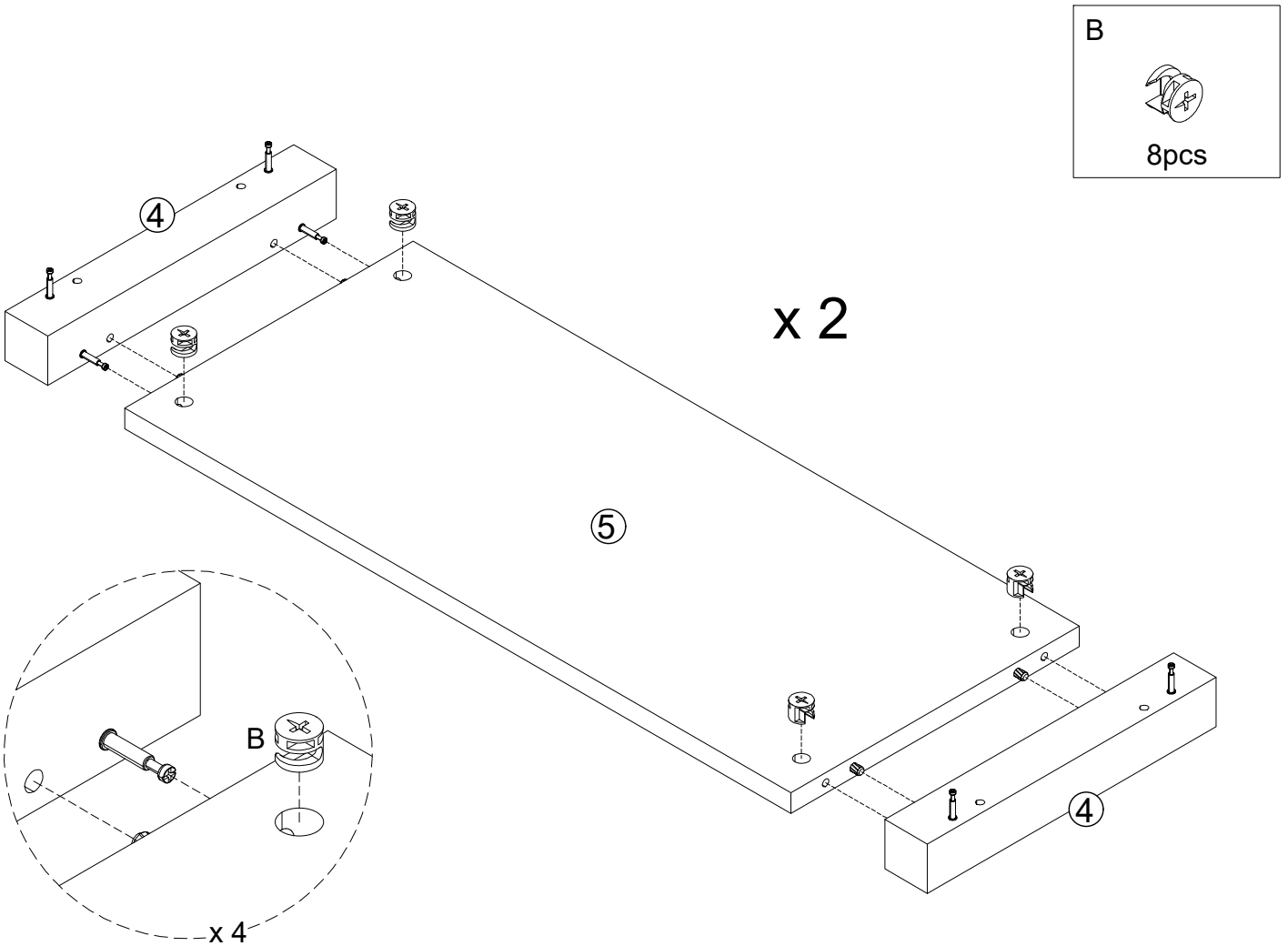


7

3

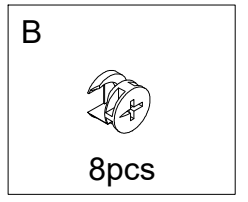
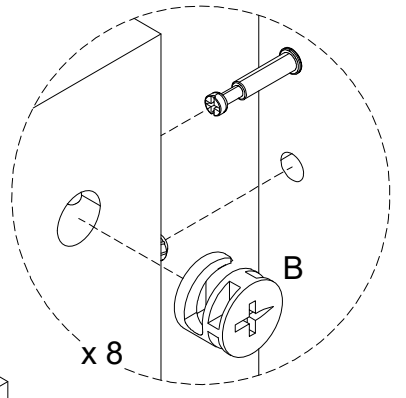
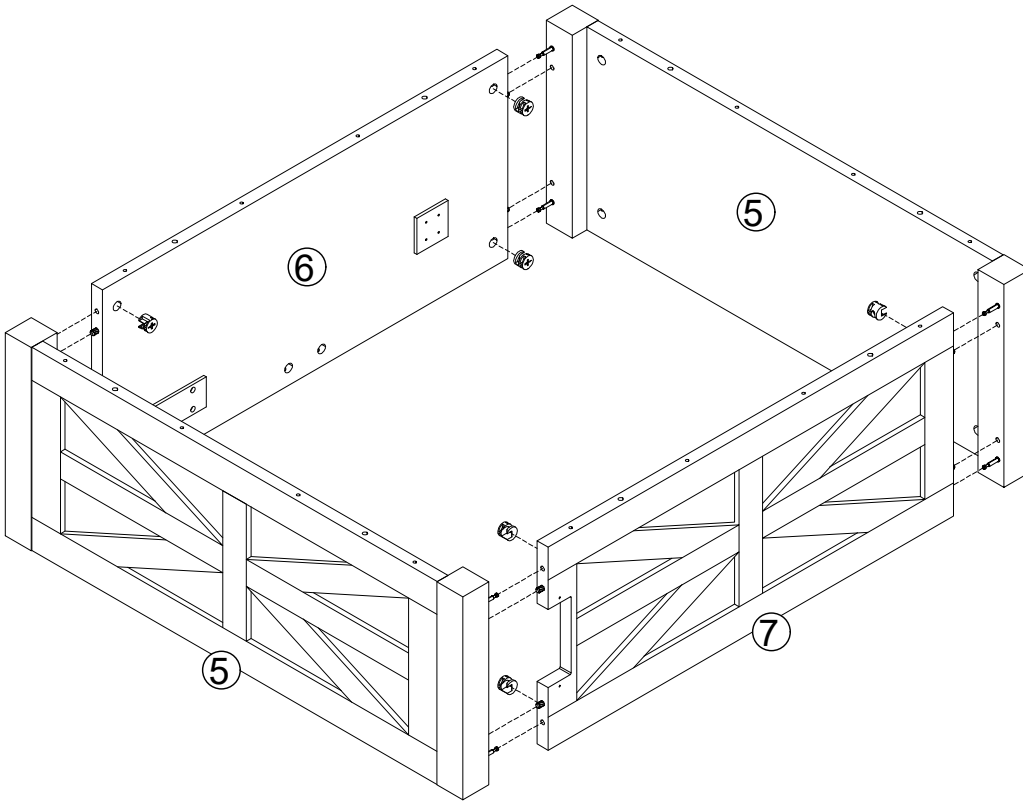


4

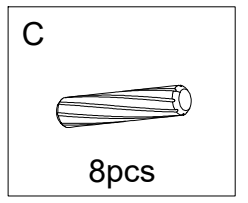
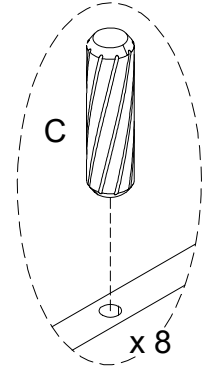
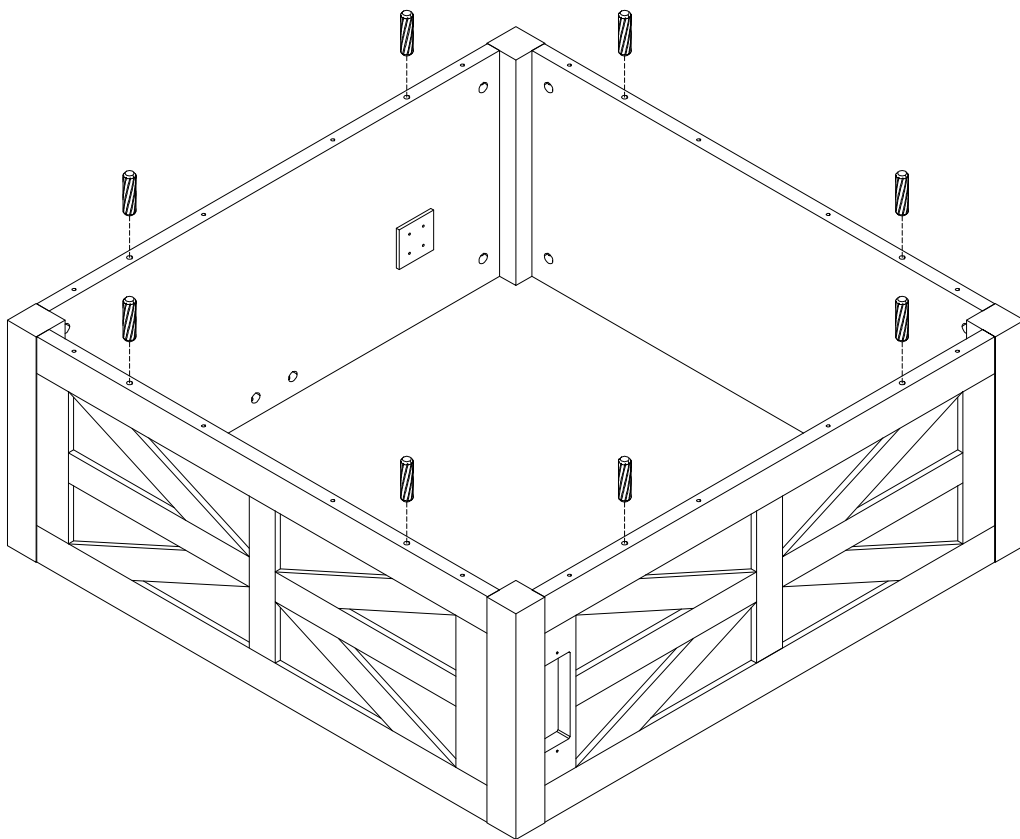


8

5

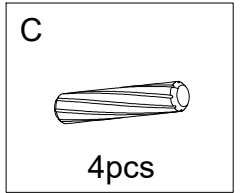
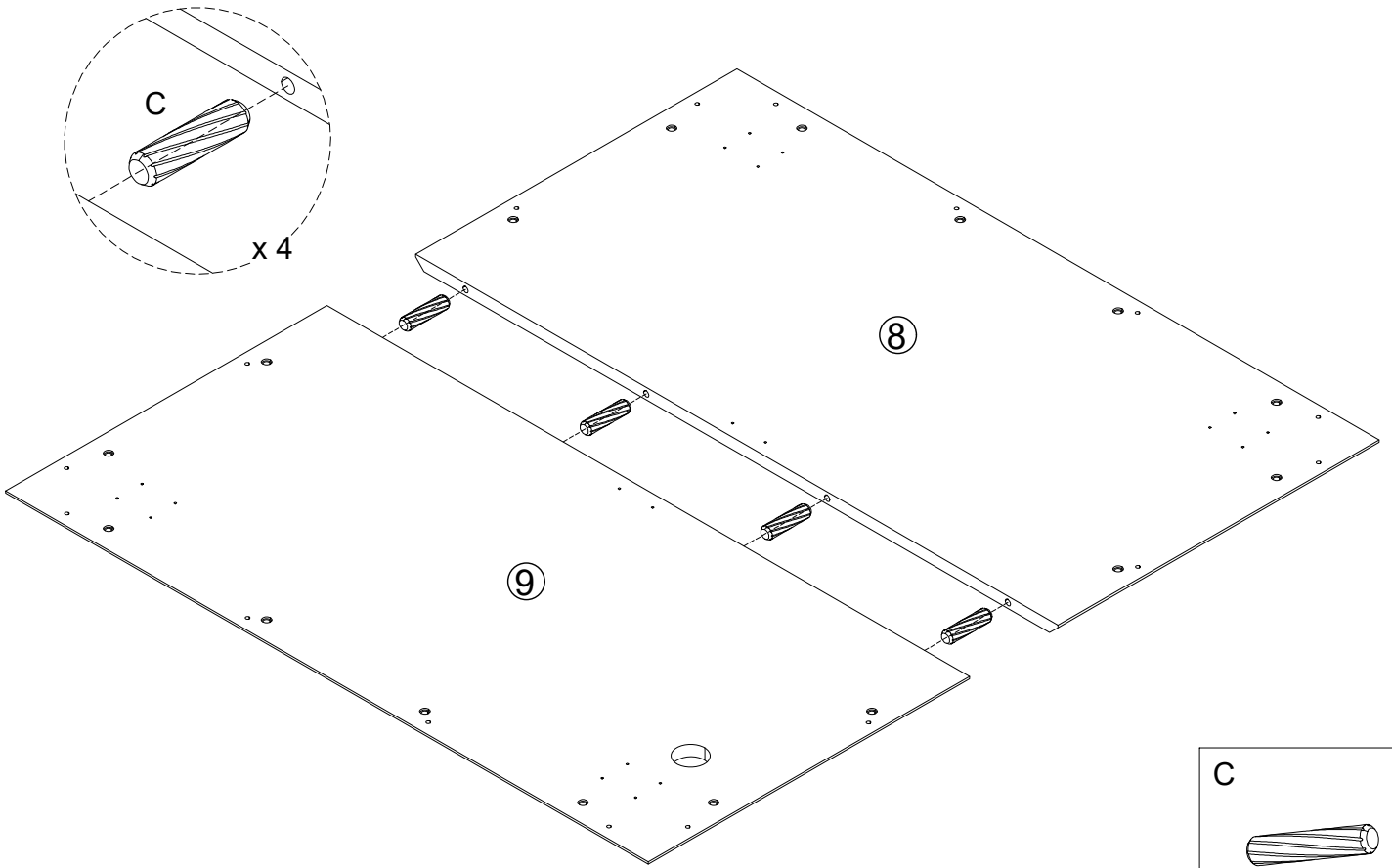


6

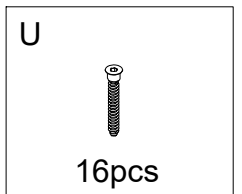
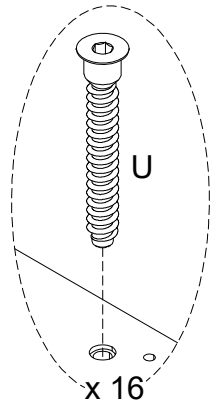
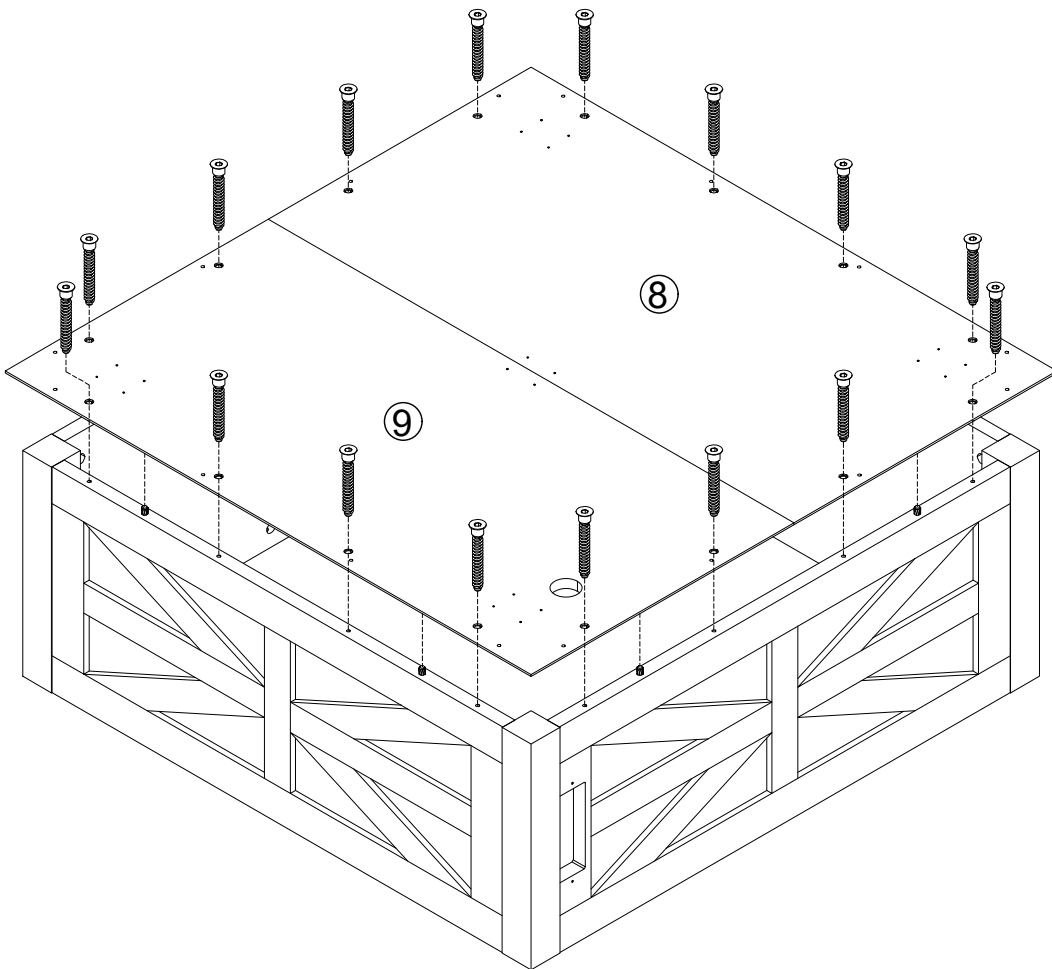


9

7

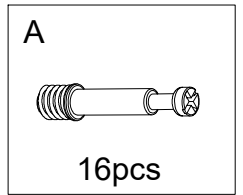
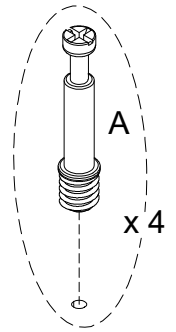
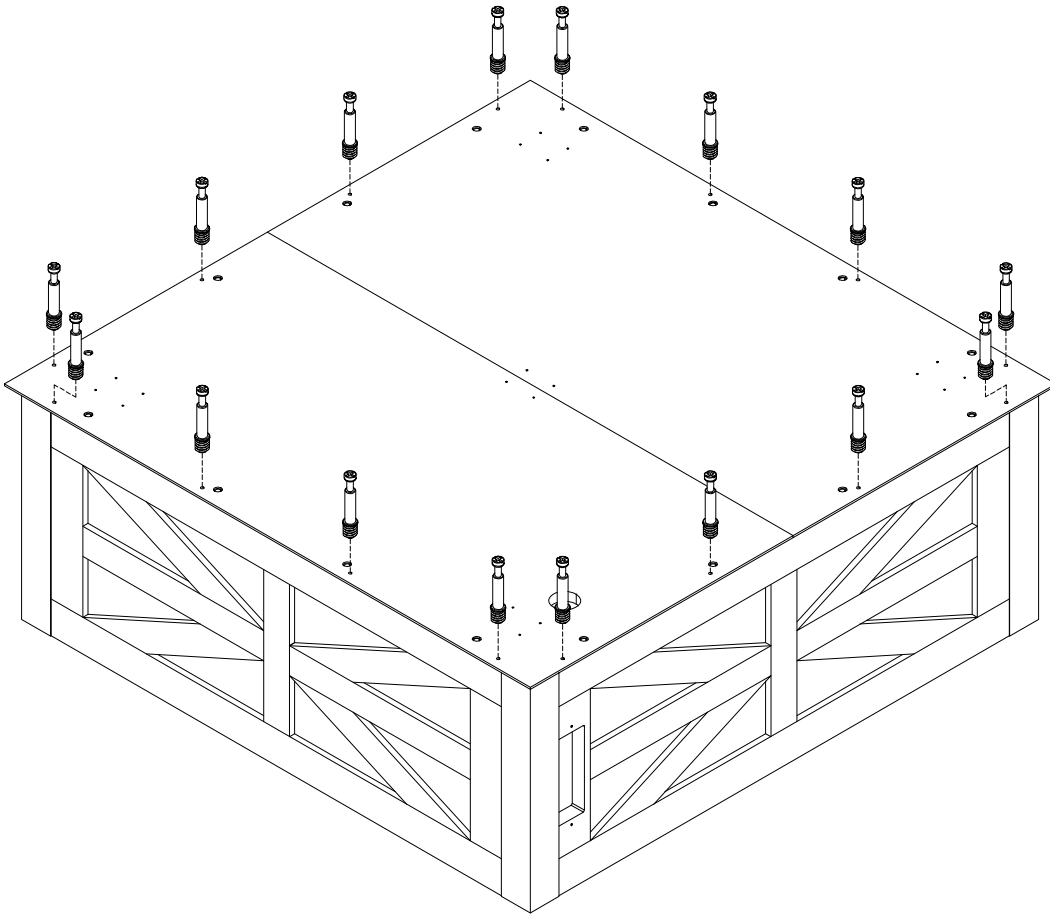


8

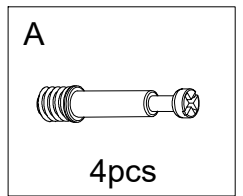
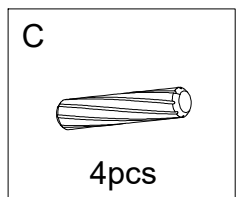
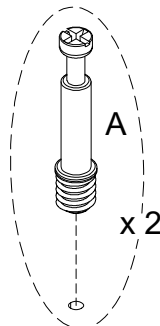
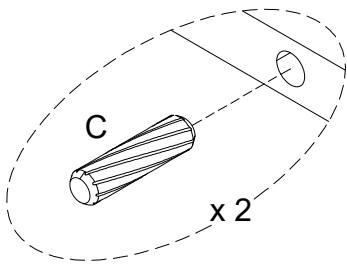
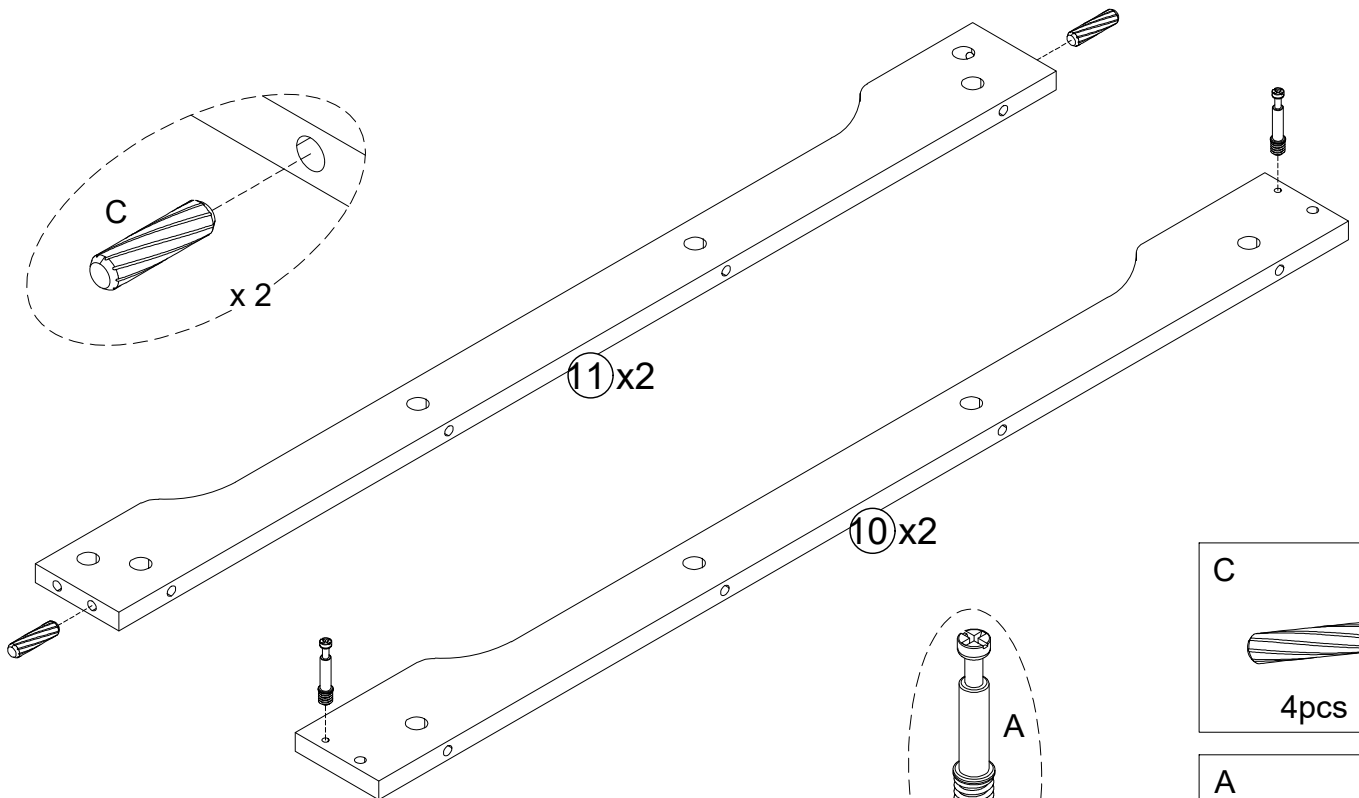


10

9

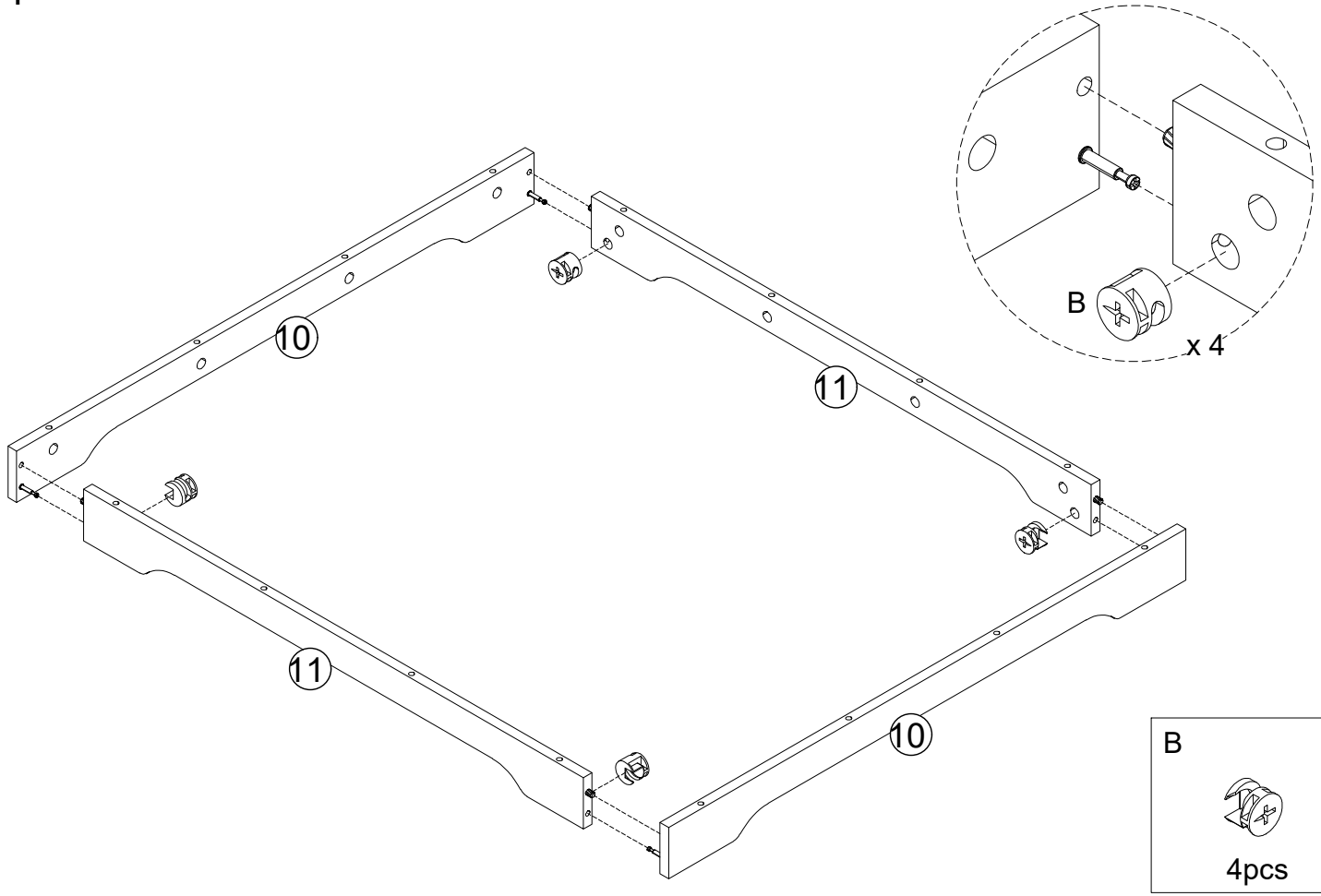


10

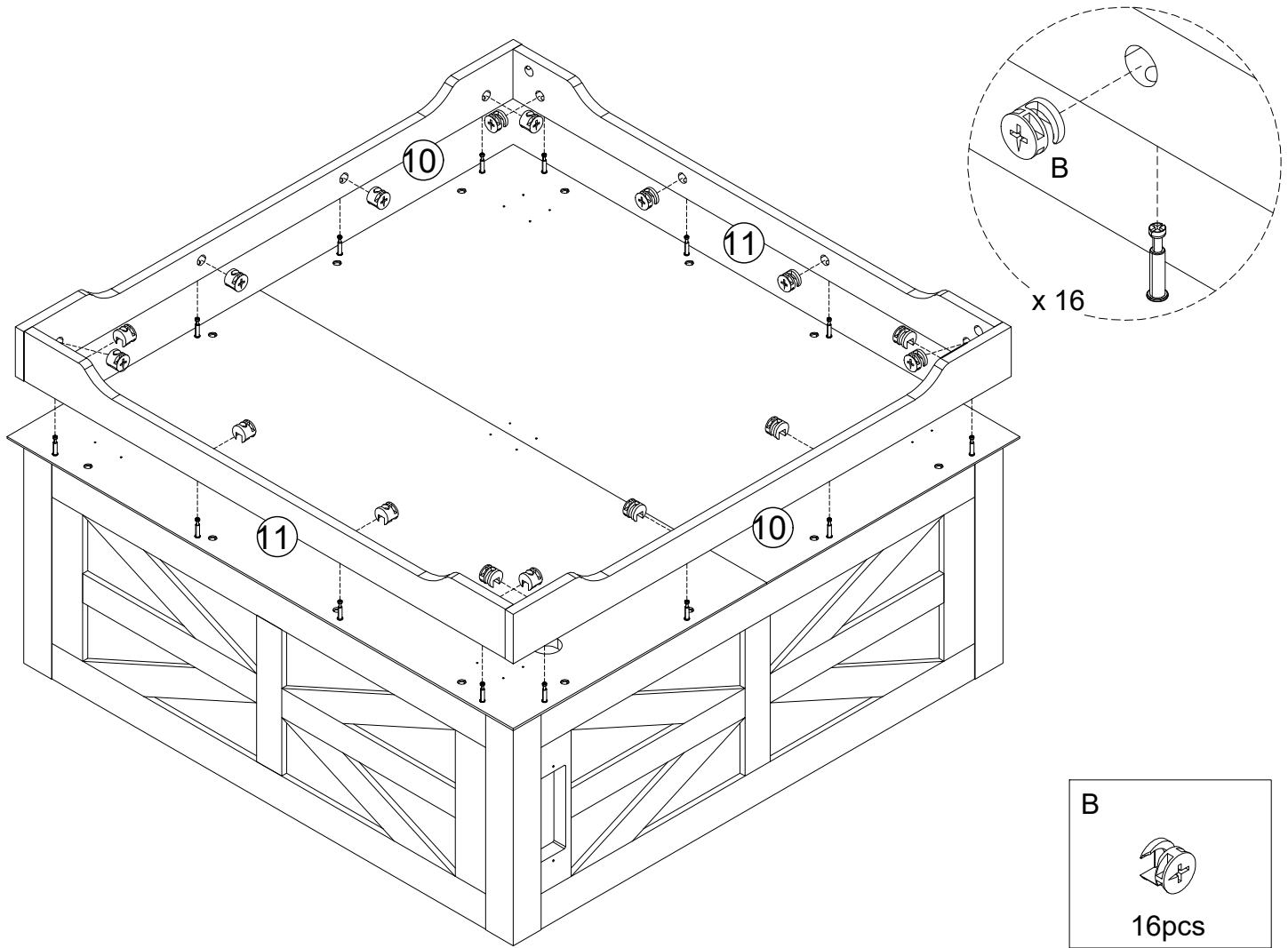


11

11

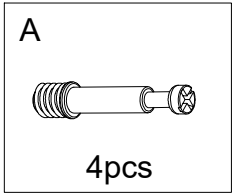
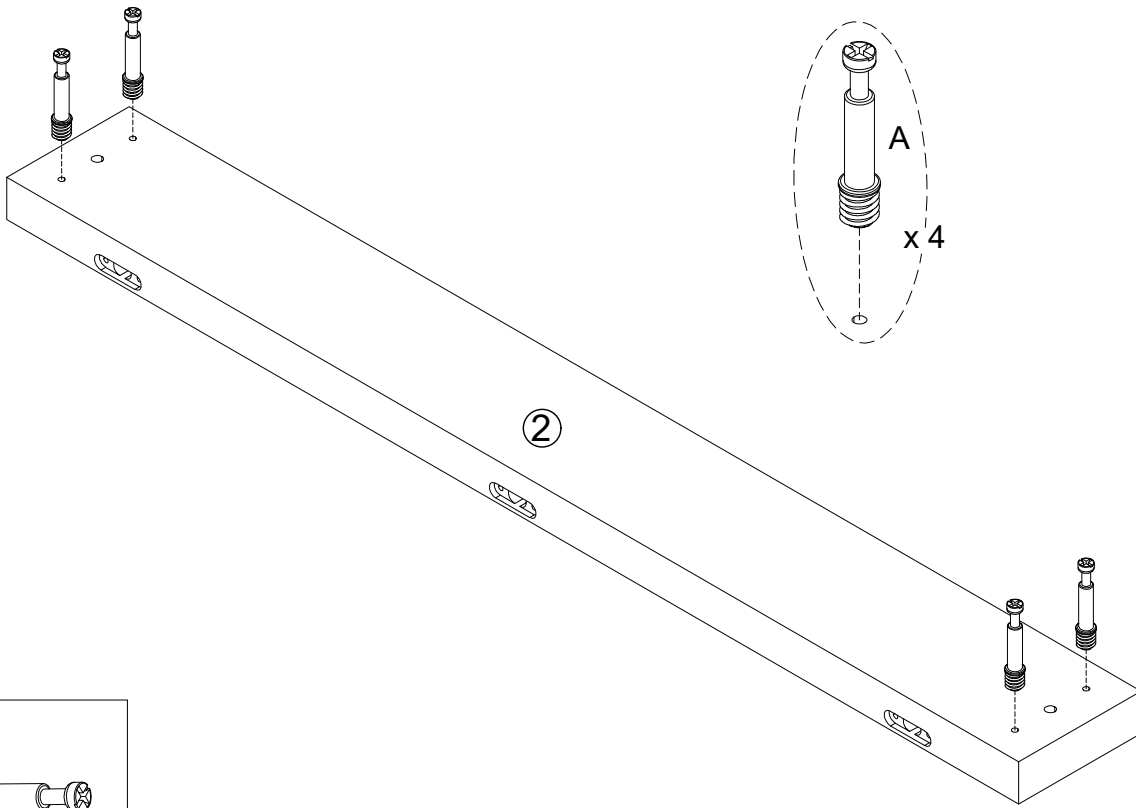


12

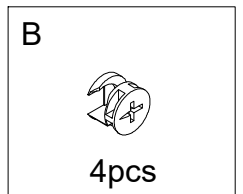
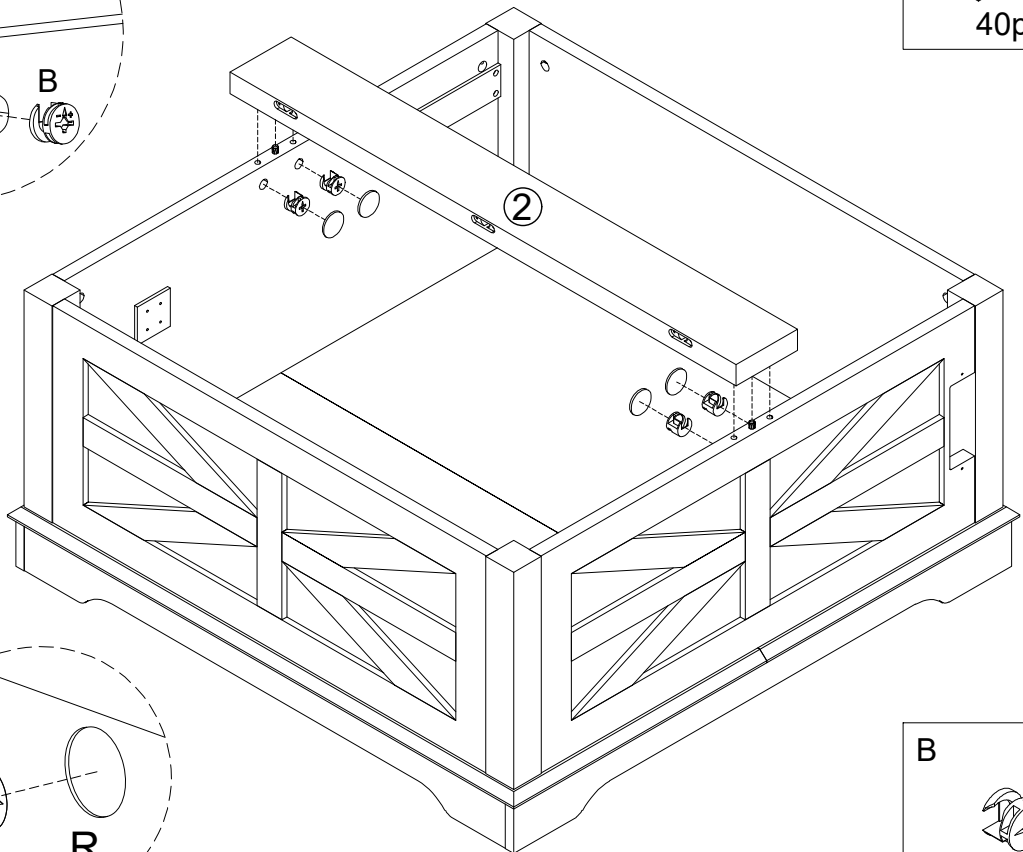
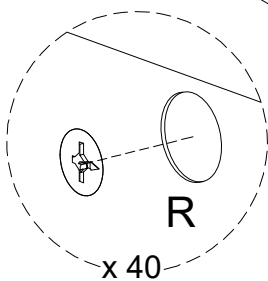
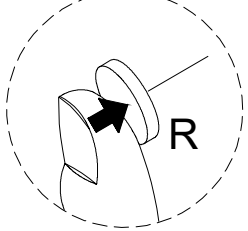
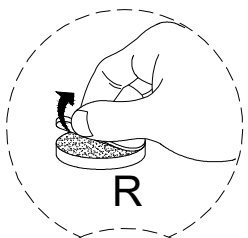
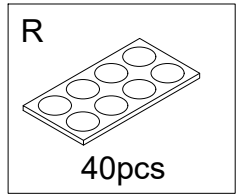
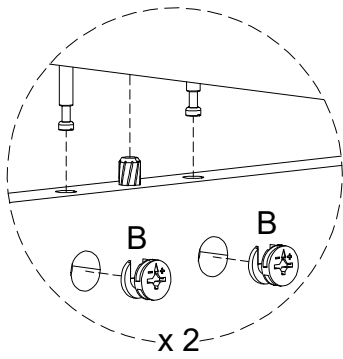


12

15

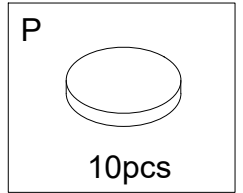
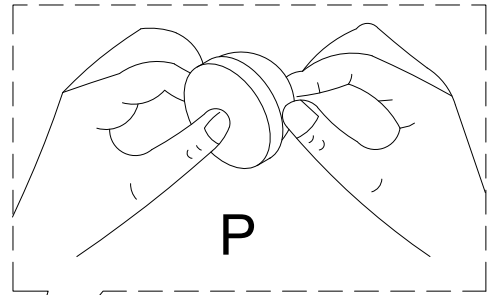
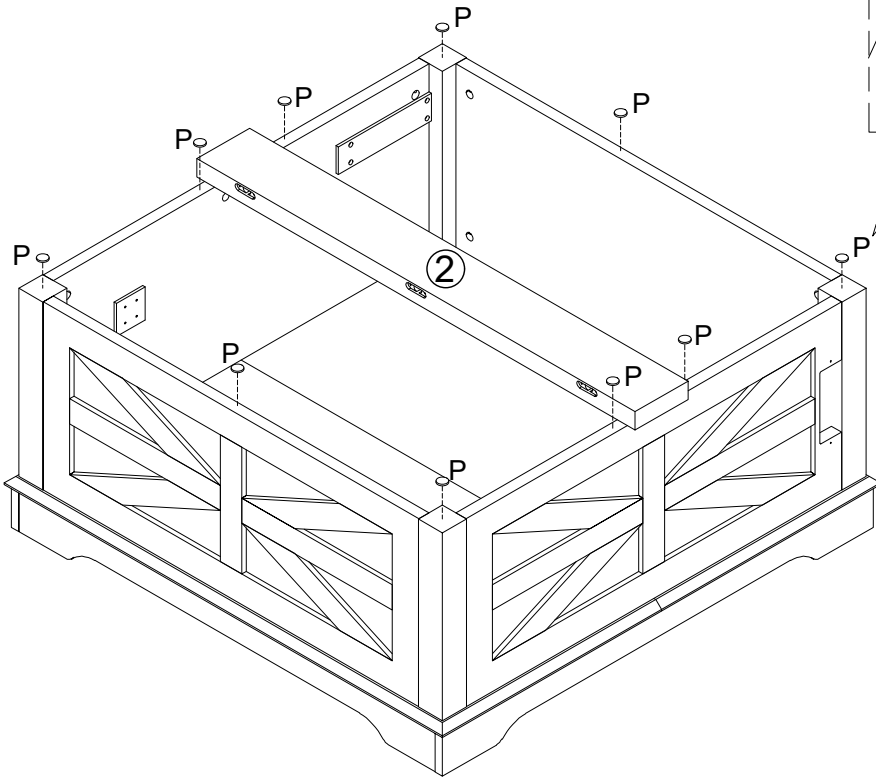


16

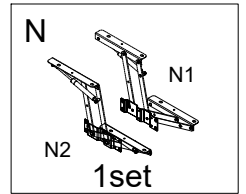
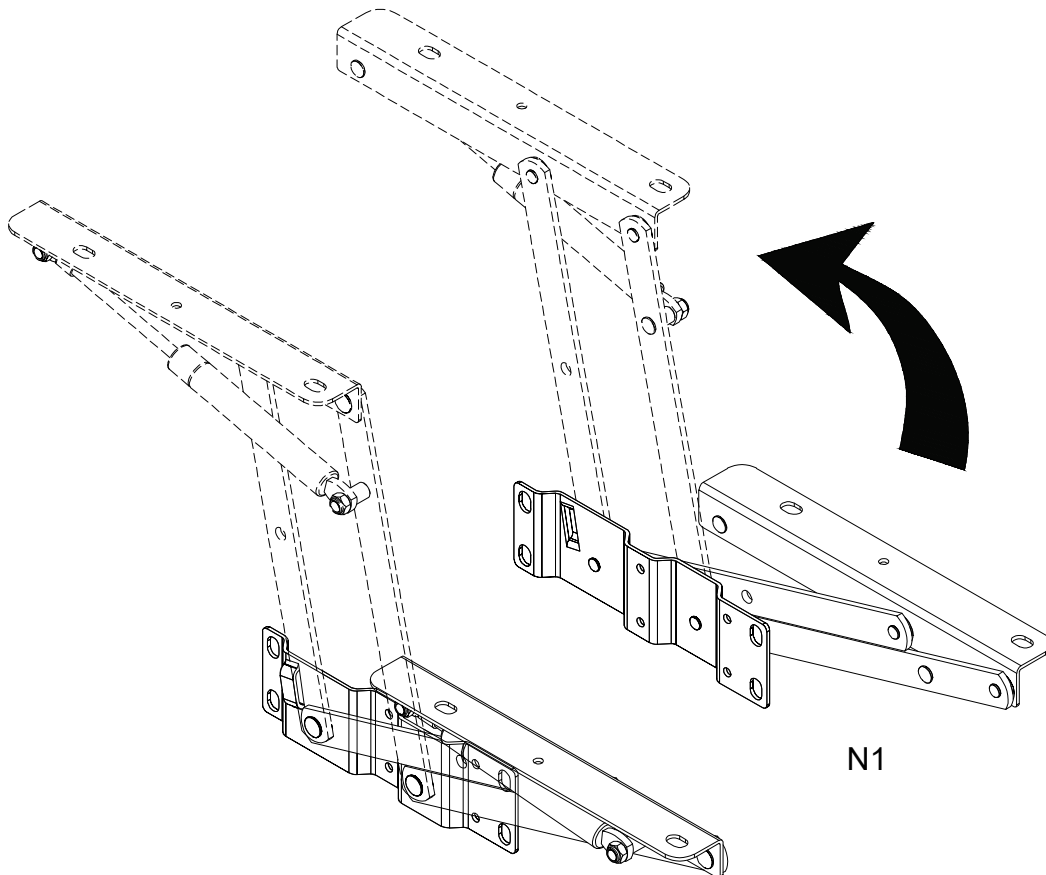


14

17



18

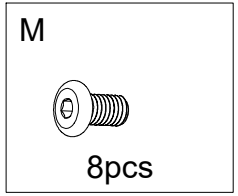
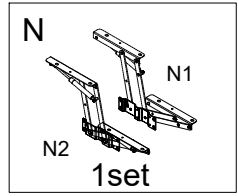
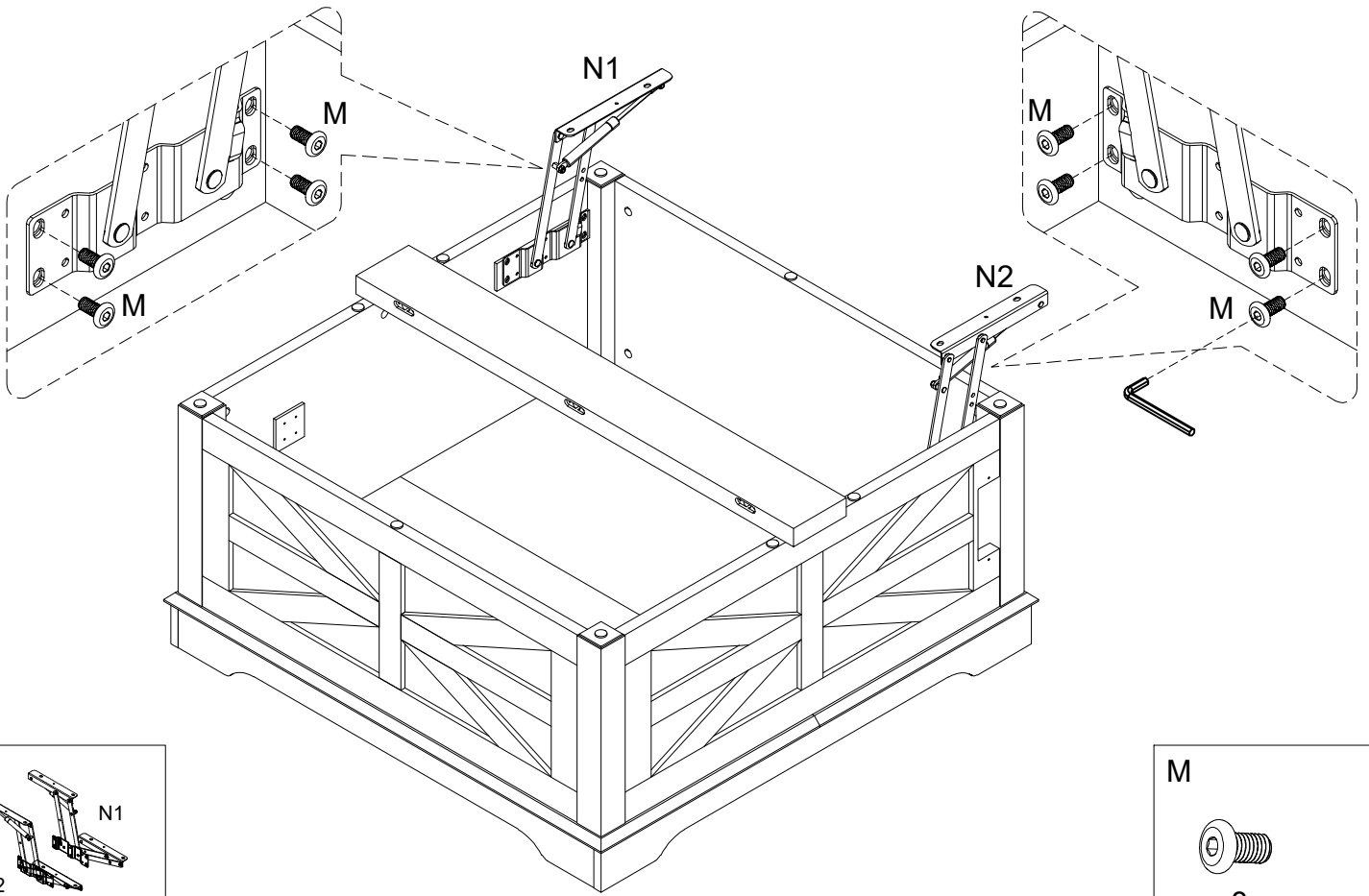


15

N2

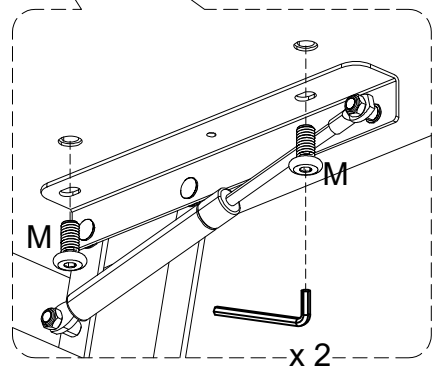
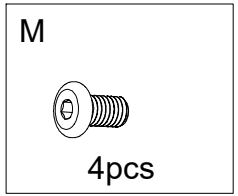
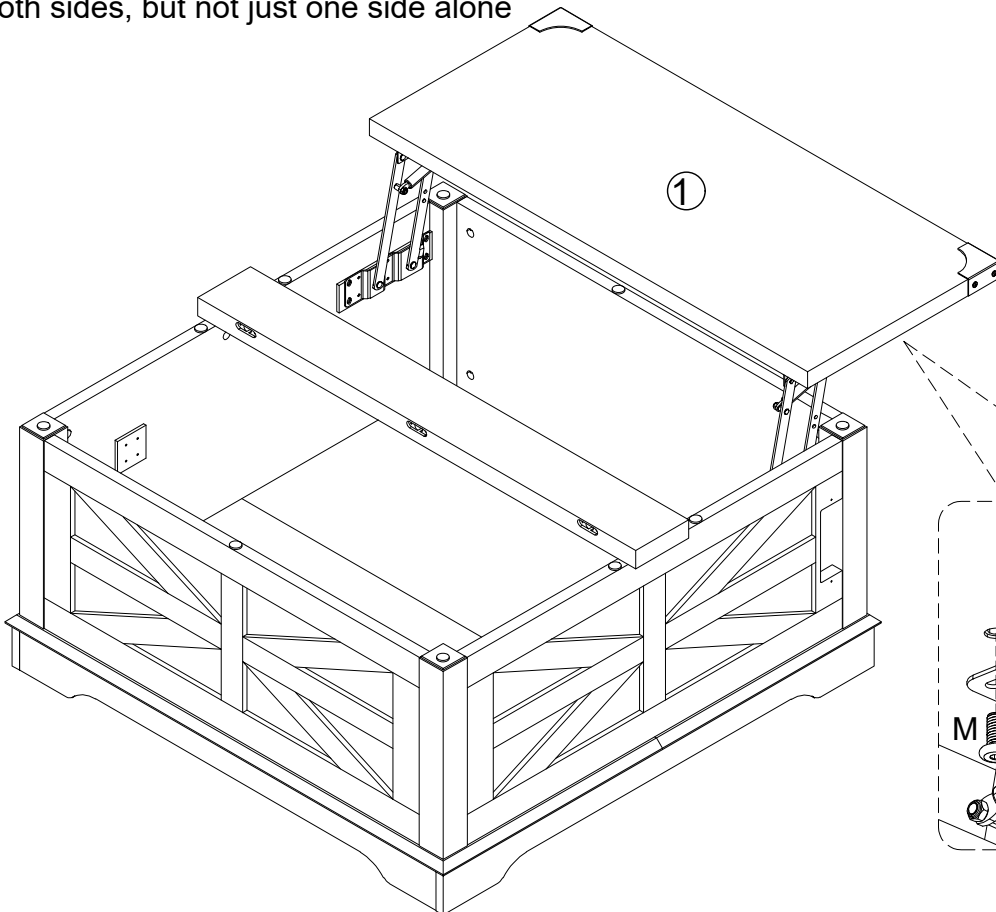
N1

19



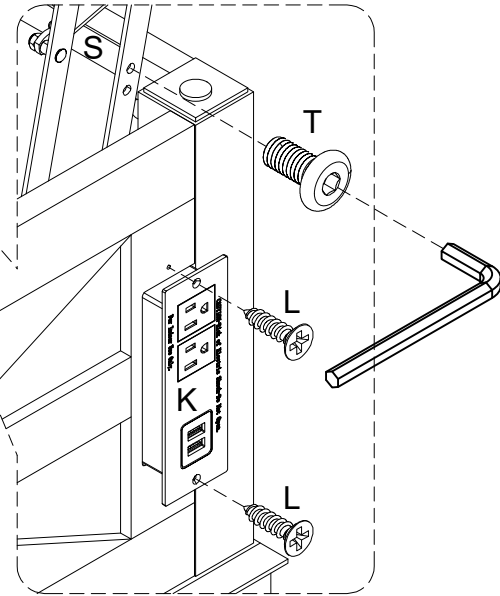
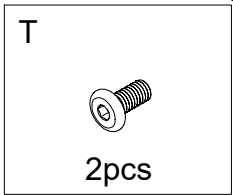
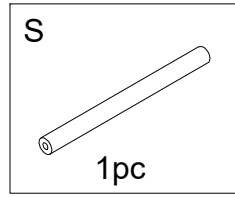
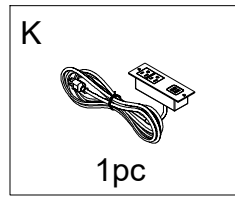
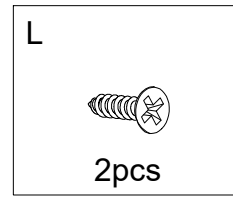
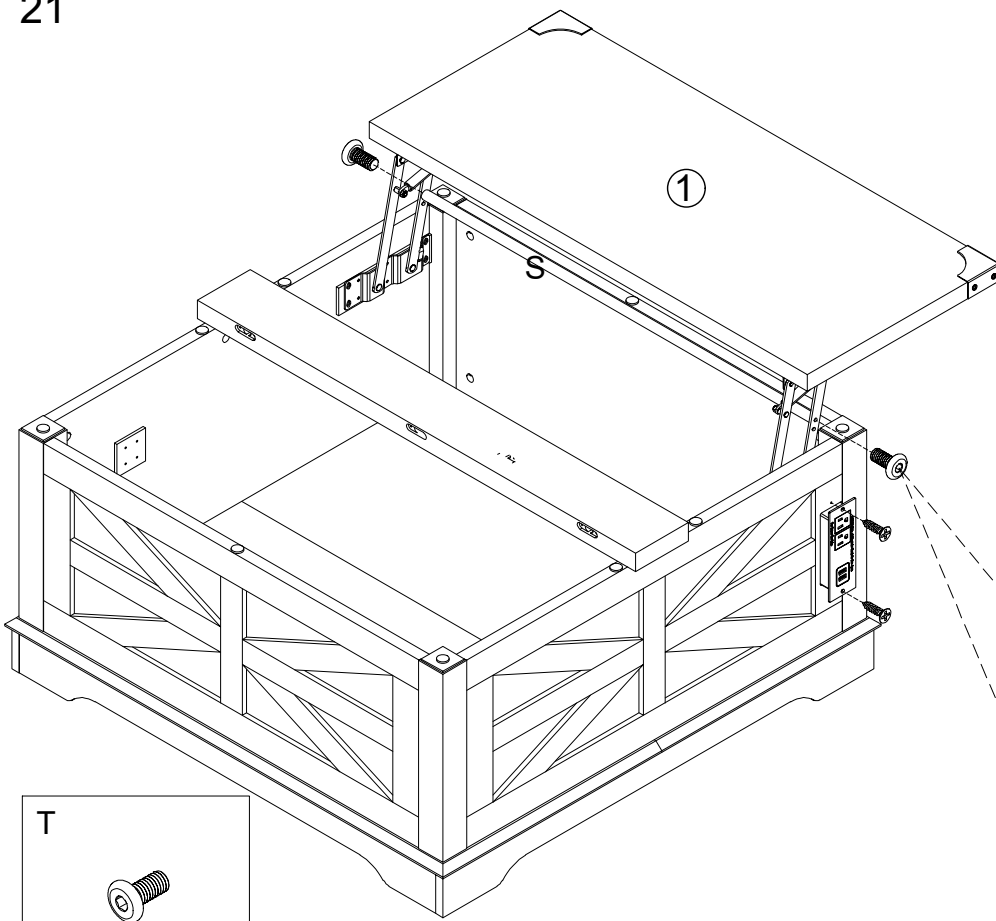
20

Please be aware that you may raise or lower the top board by grasping either the middle or both sides, but not just one side alone

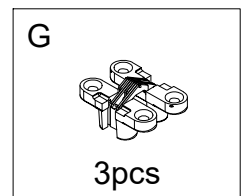
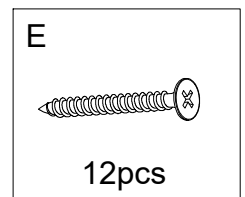
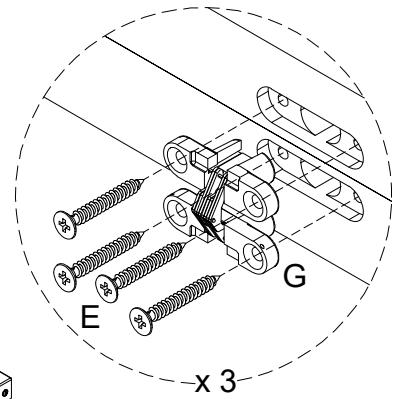
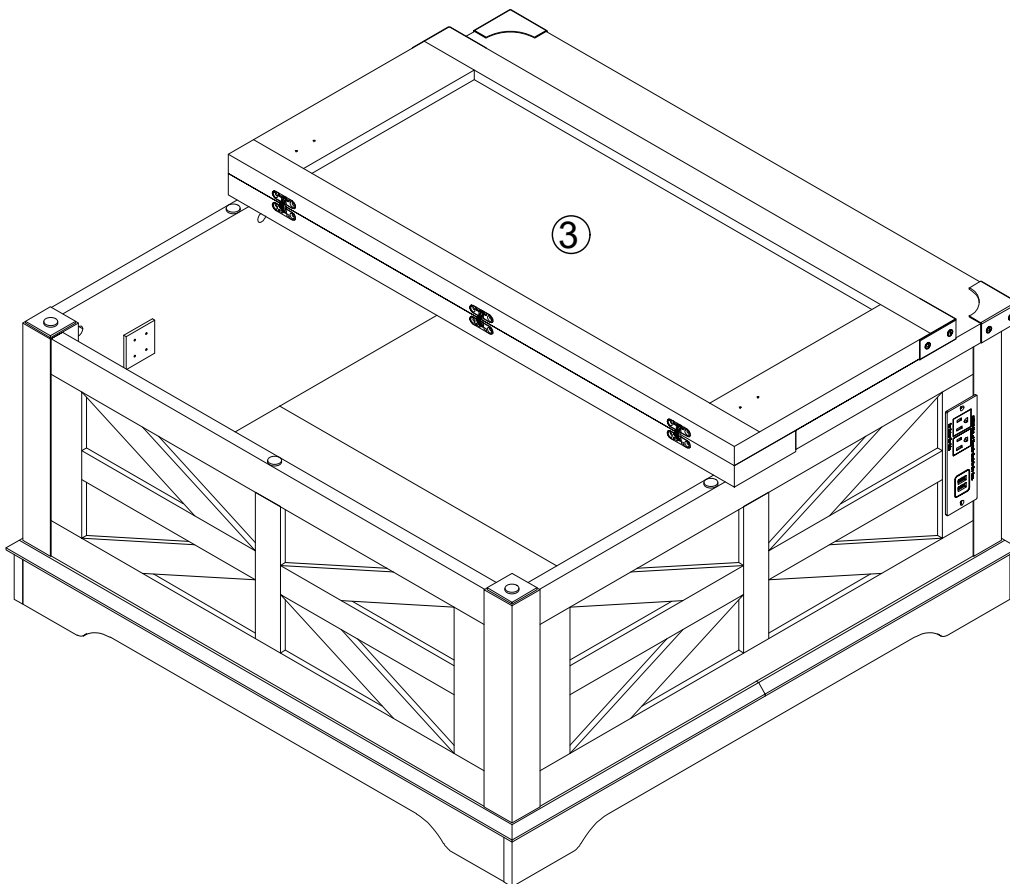


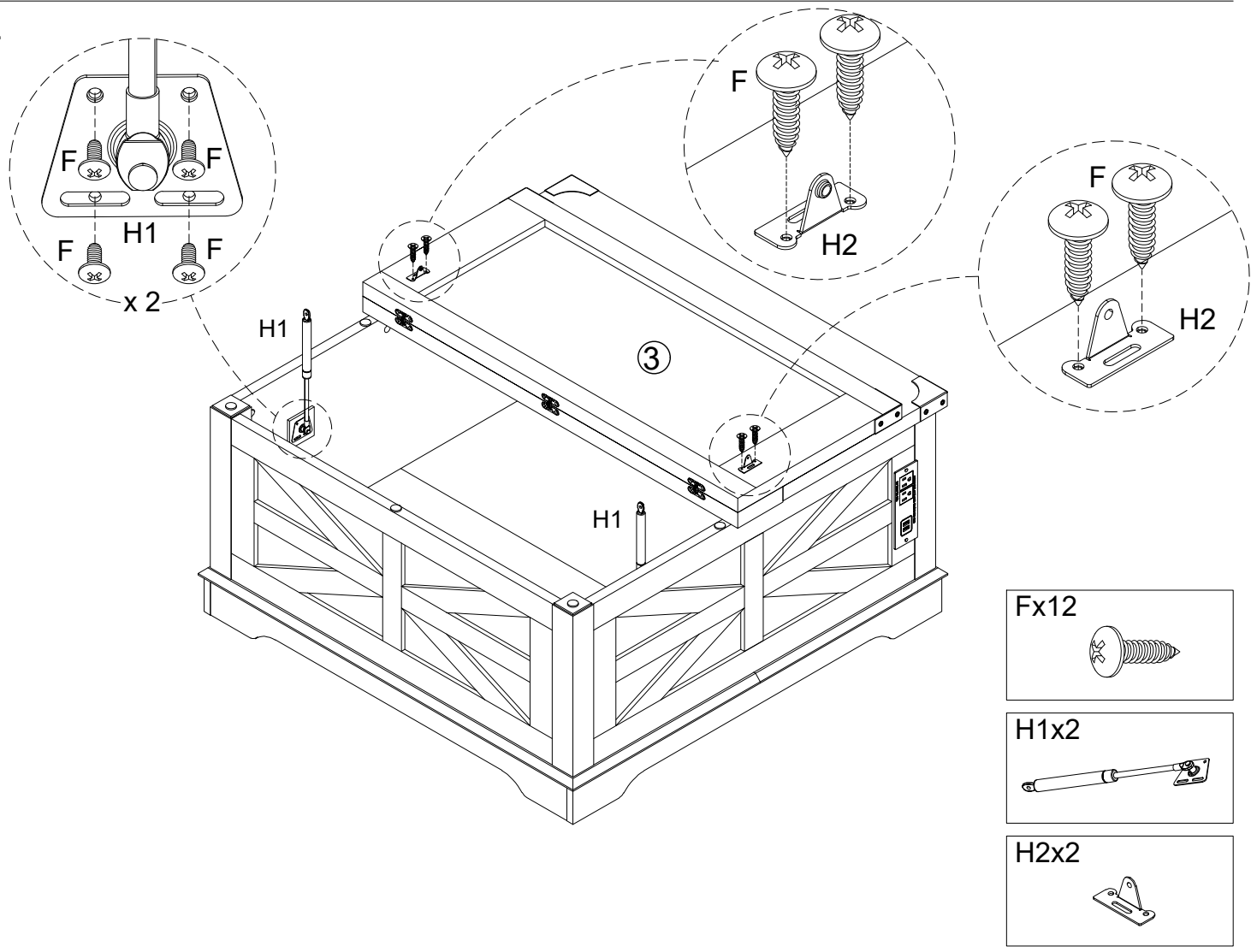
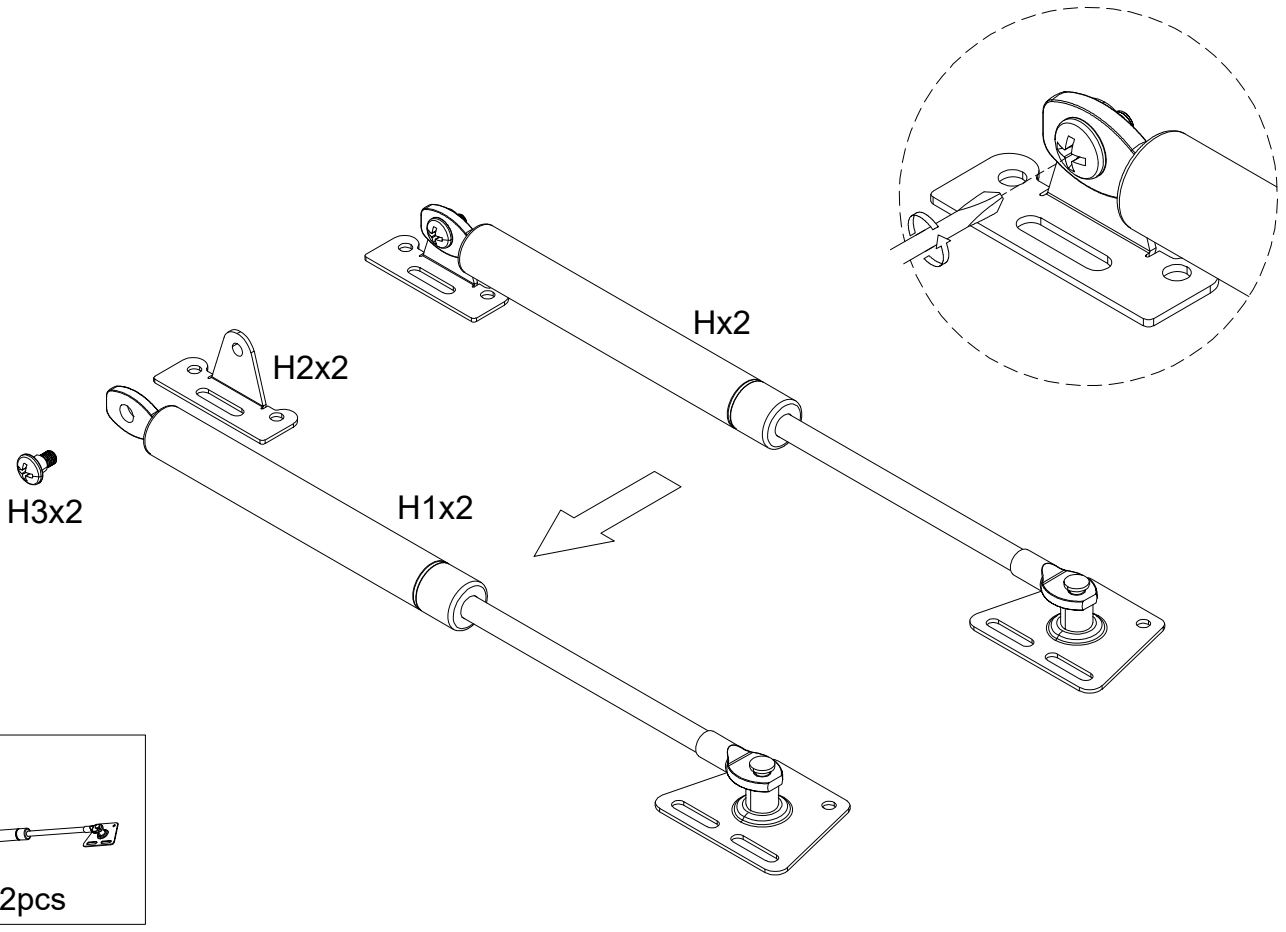
16

21

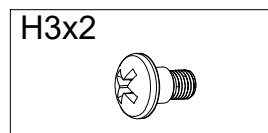
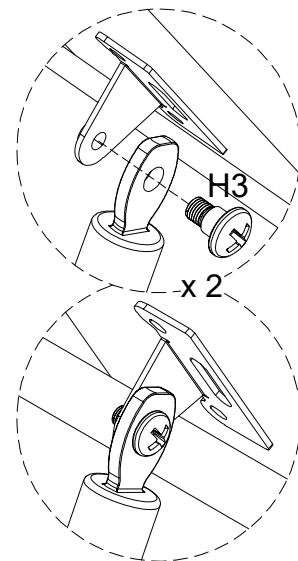
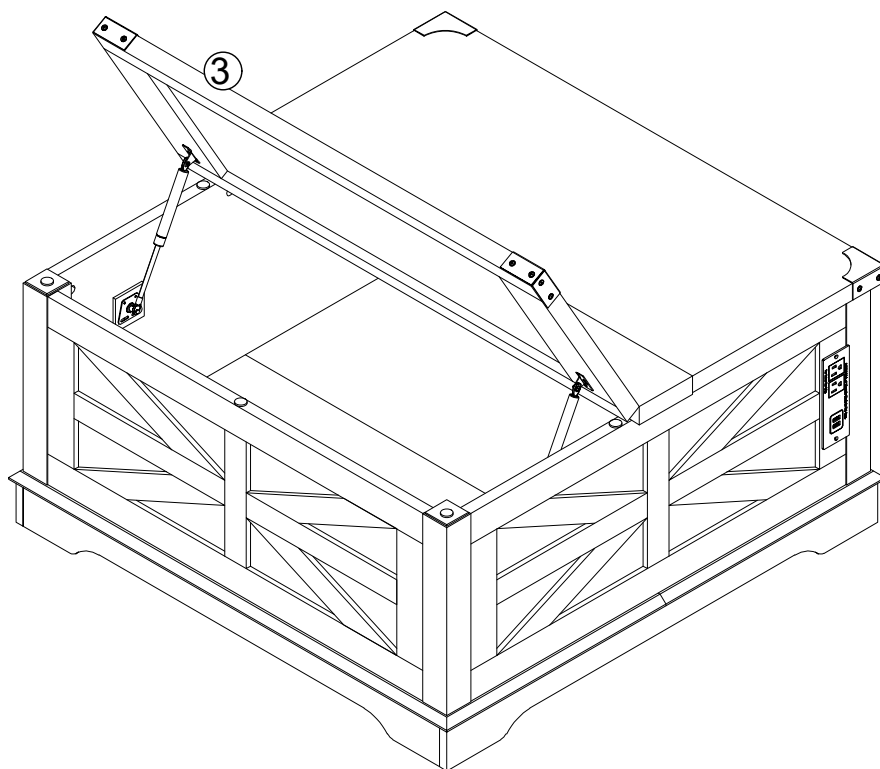


22

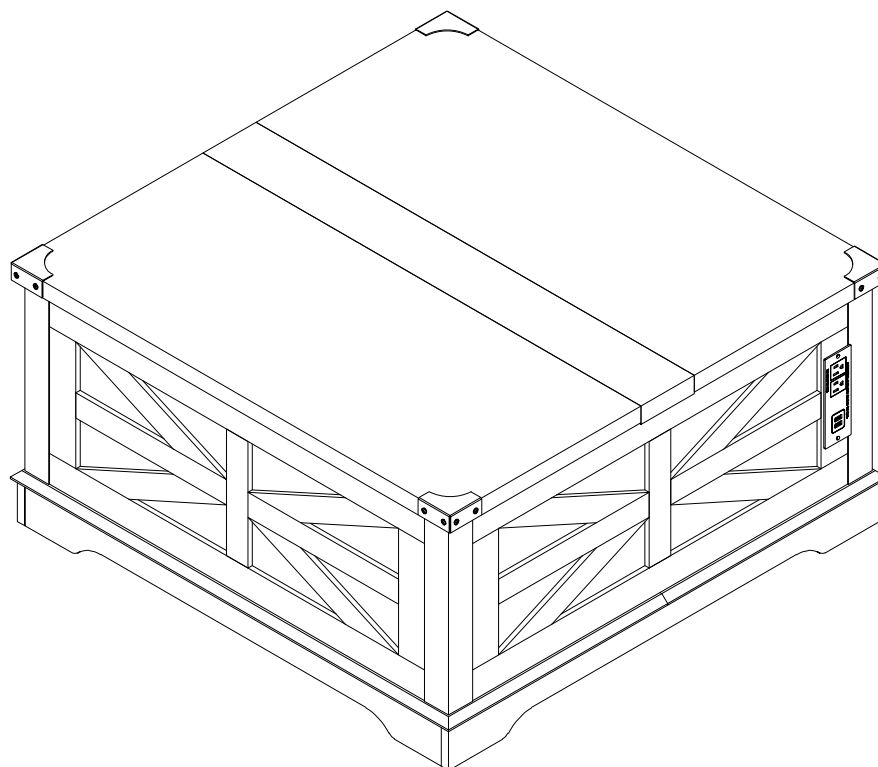




25



26



19