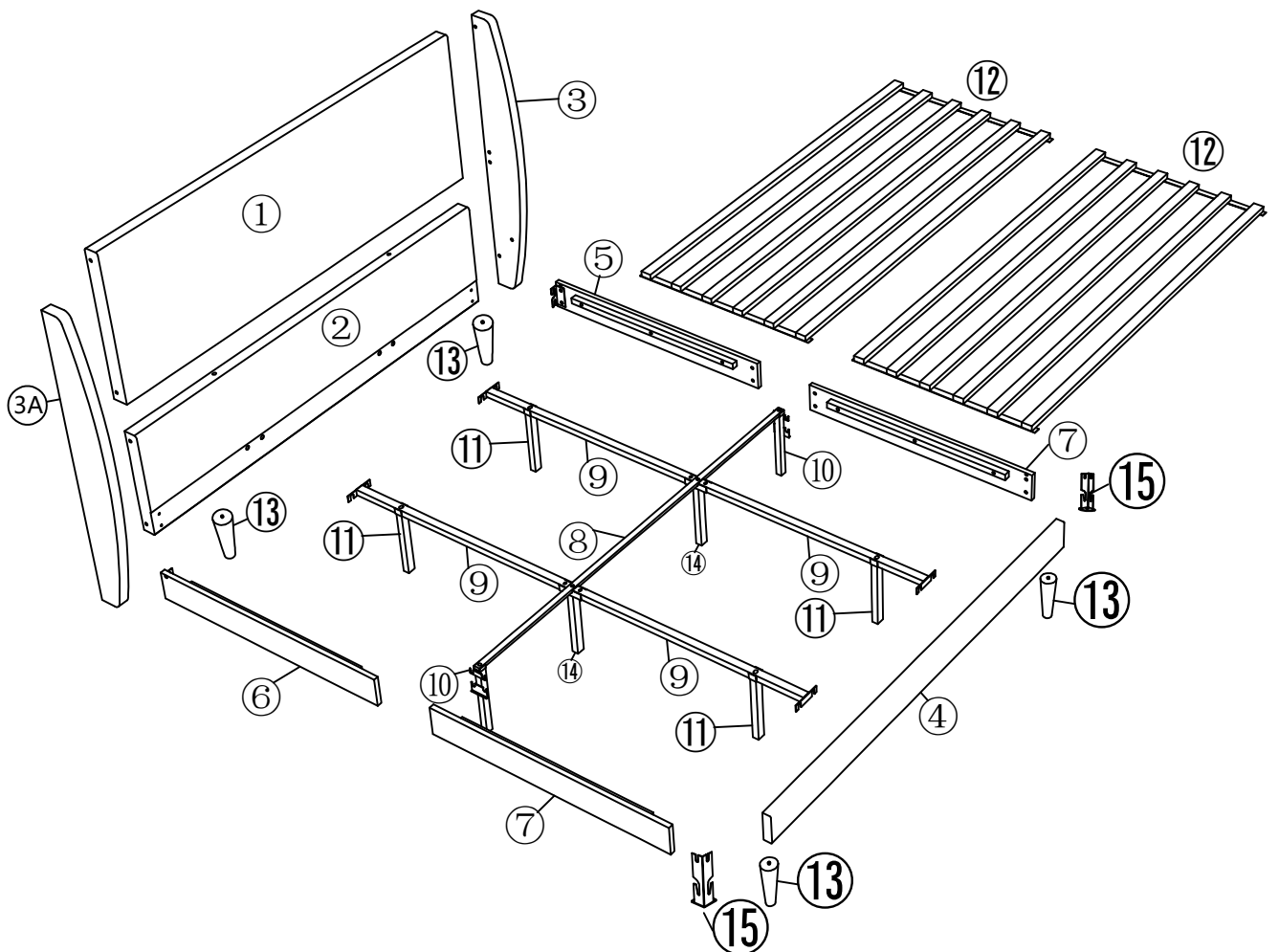
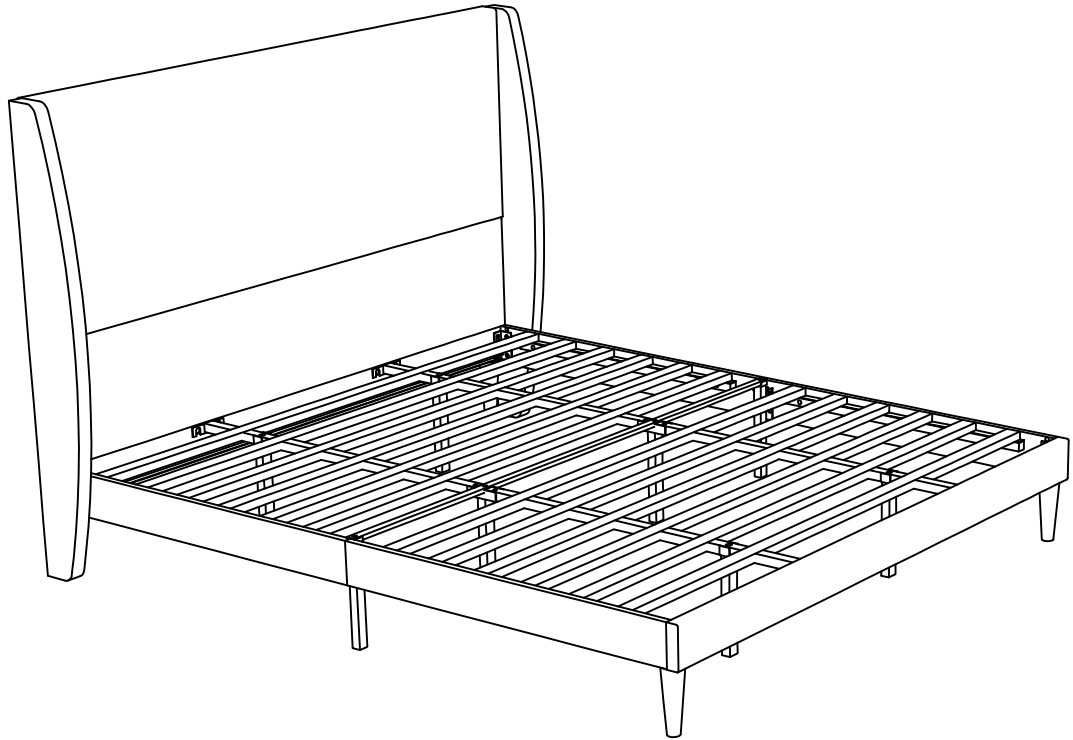
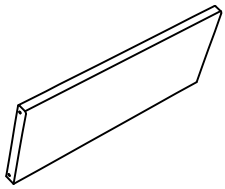


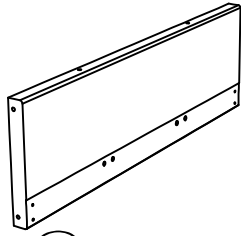
Installation Manual



Parts



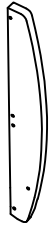
①x1PCS



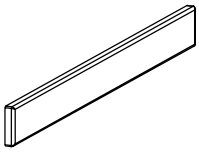
②x1PCS



③A)x1PCS



③)x1PCS



④x1PCS



⑤x1PCS



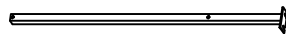
⑥x1PCS



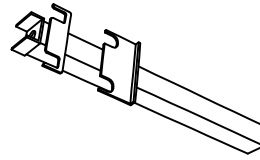
⑦x2PCS



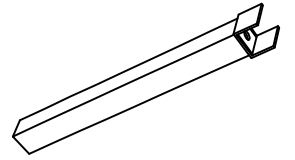
⑧x1PCS



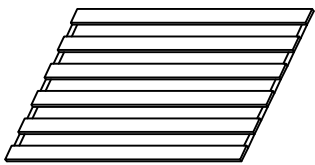
⑨x4PCS



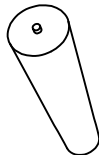
⑩x2PCS



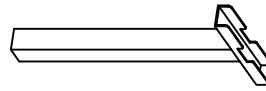
⑪x4PCS



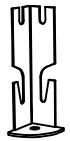
⑫x2PCS



⑬x4PCS

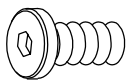


⑭x2PCS



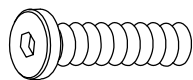
⑮x2PCS

Hardware



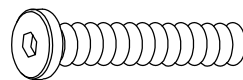
M8×18mm

①A)x16pcs+2pc



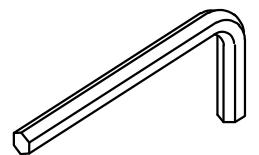
M8×35mm

①B)x22pcs+2pc



M8×45mm

①C)x2pcs



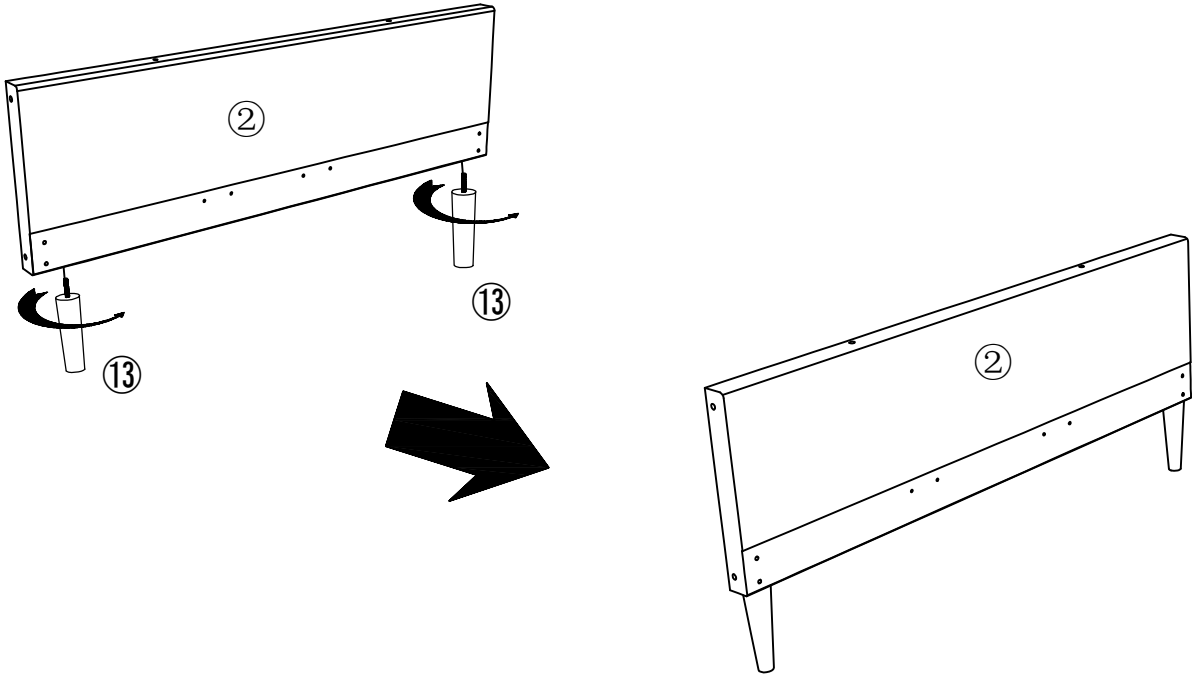
D5mm

①D)x1pcs

When replacement request, please tell us Component Alphabet and Model Number.

1

Note: For easy setup intention,
do not tighten screws during
the installation process

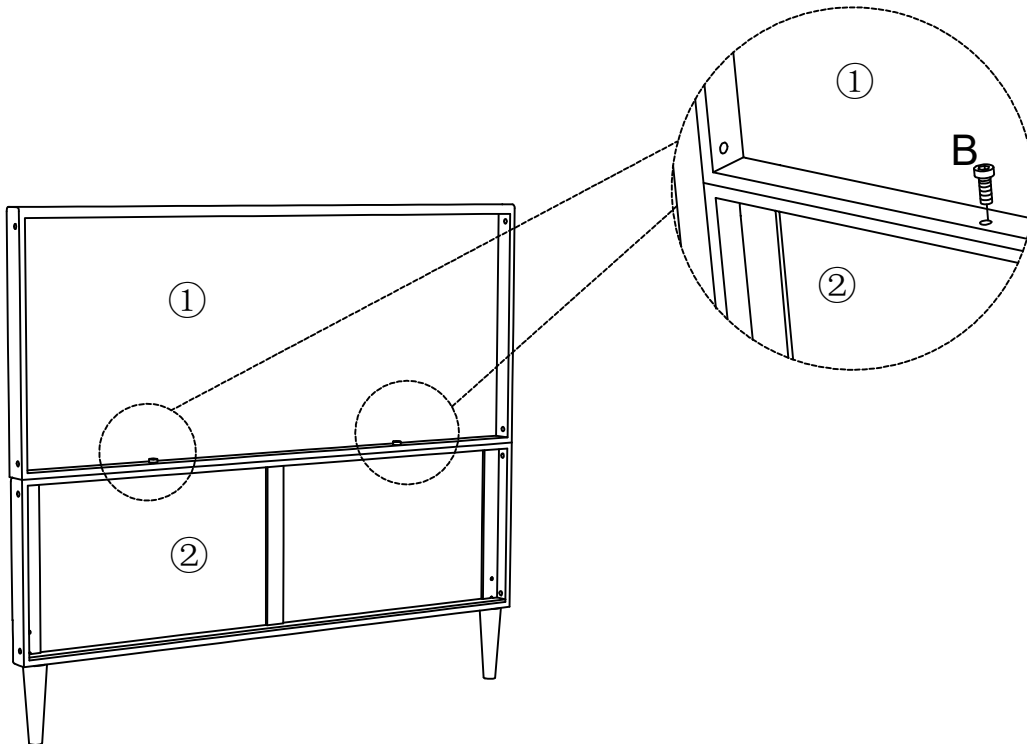


2

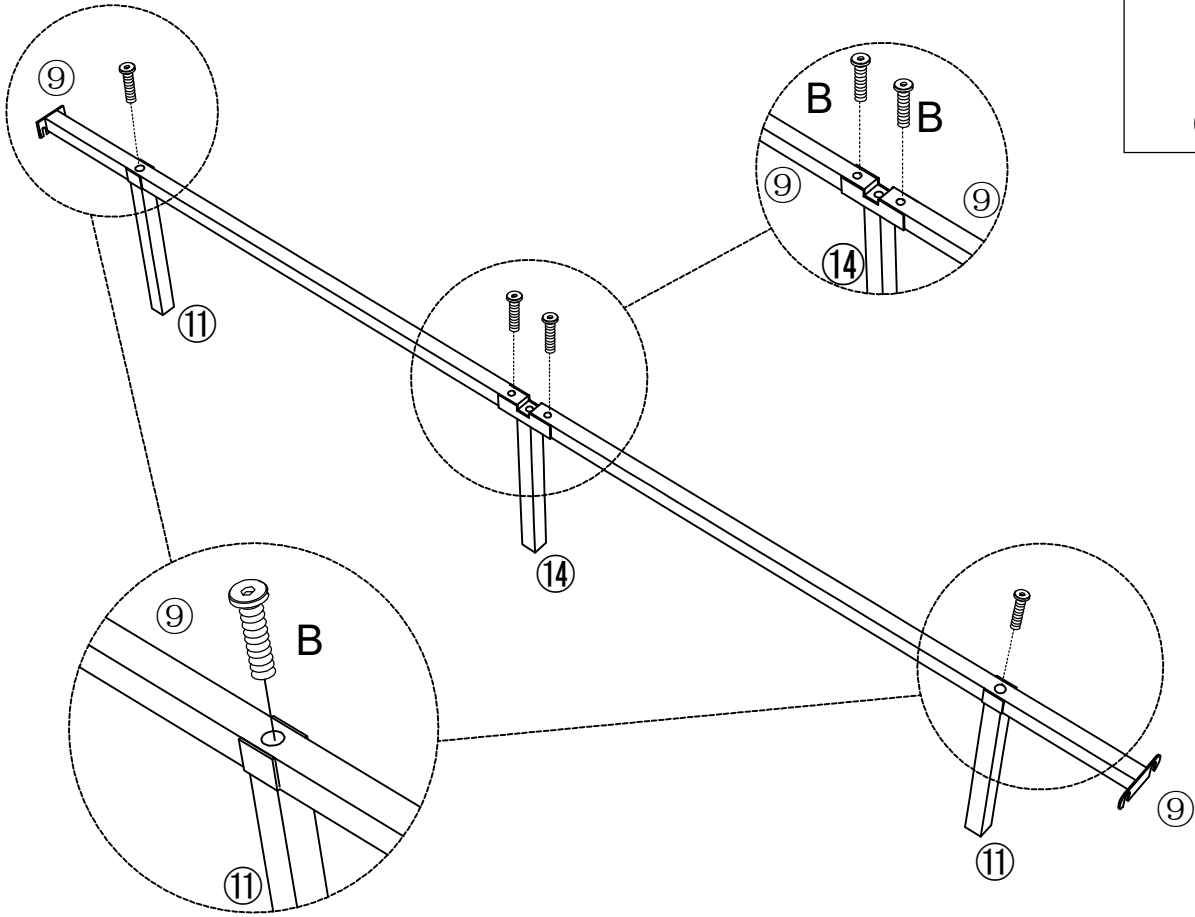


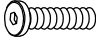
M8×35mm

B × 2pcs



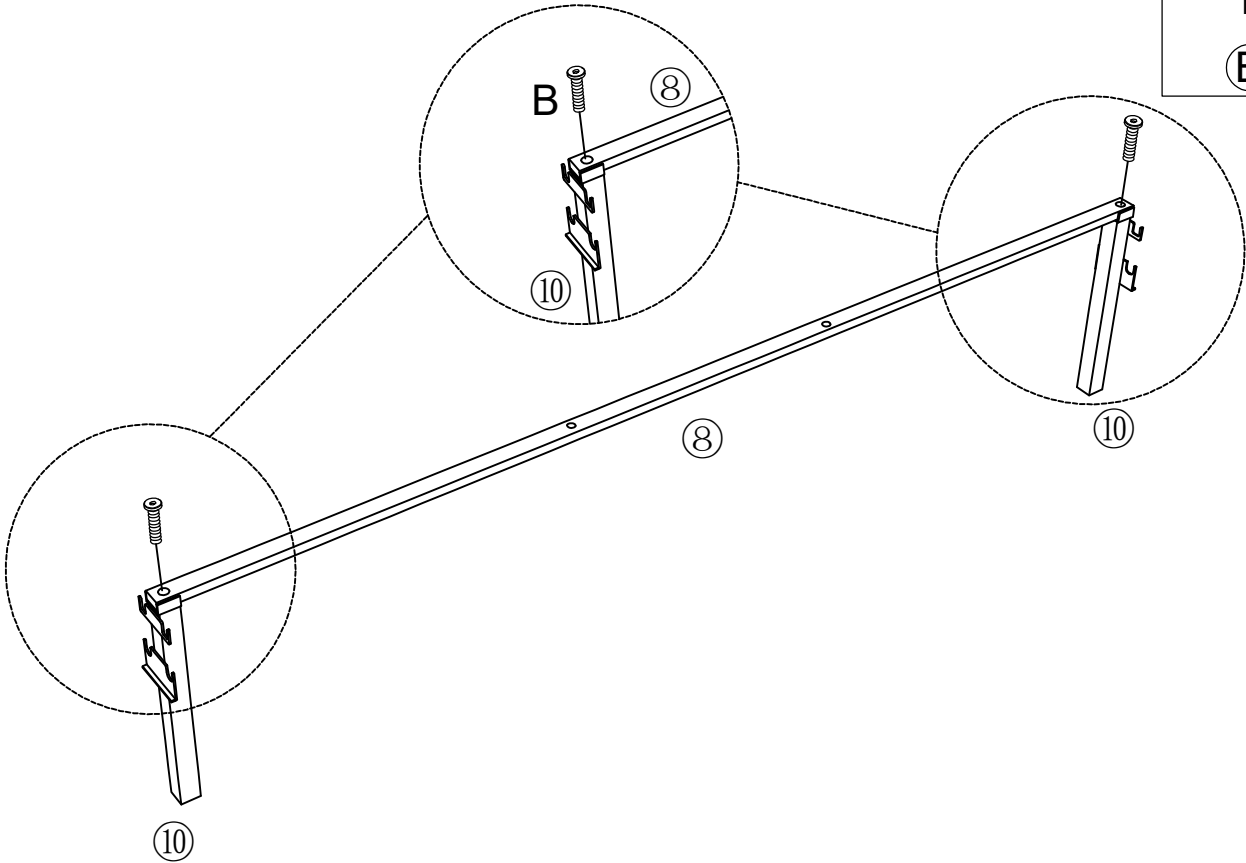
3

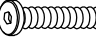



M8×35mm
B × 8pcs

x2

4



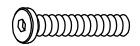

M8×35mm
B × 2pcs

5



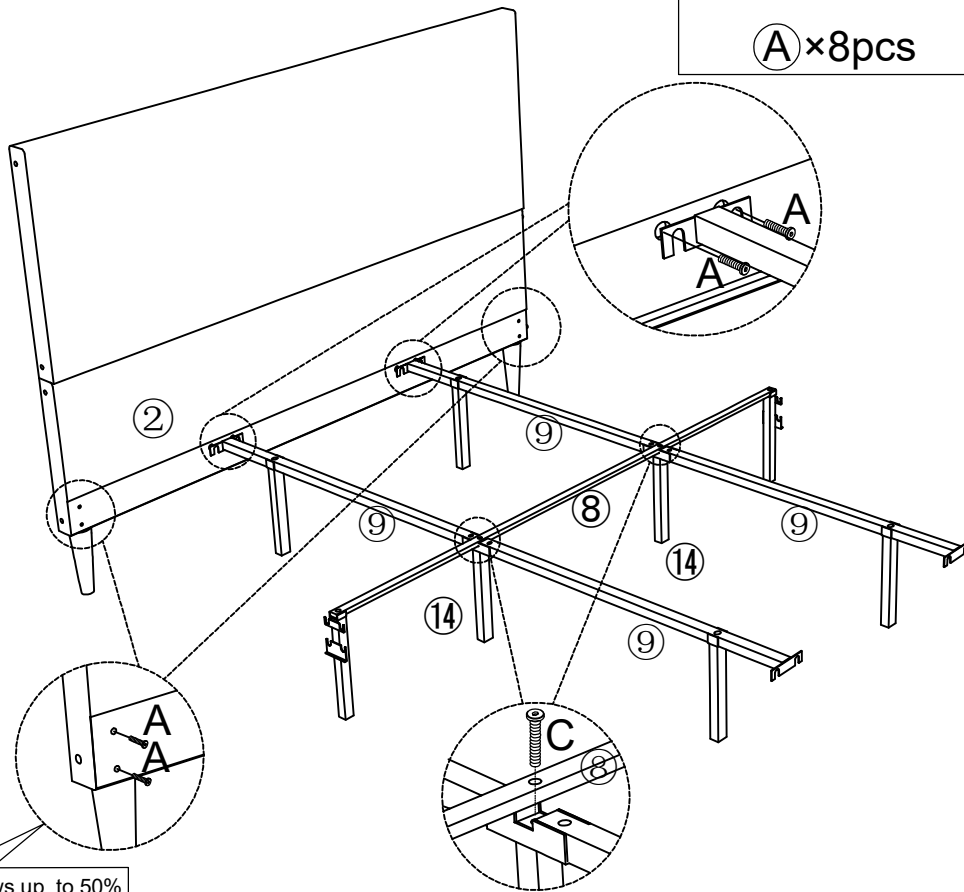
M8×18mm

A × 8 pcs



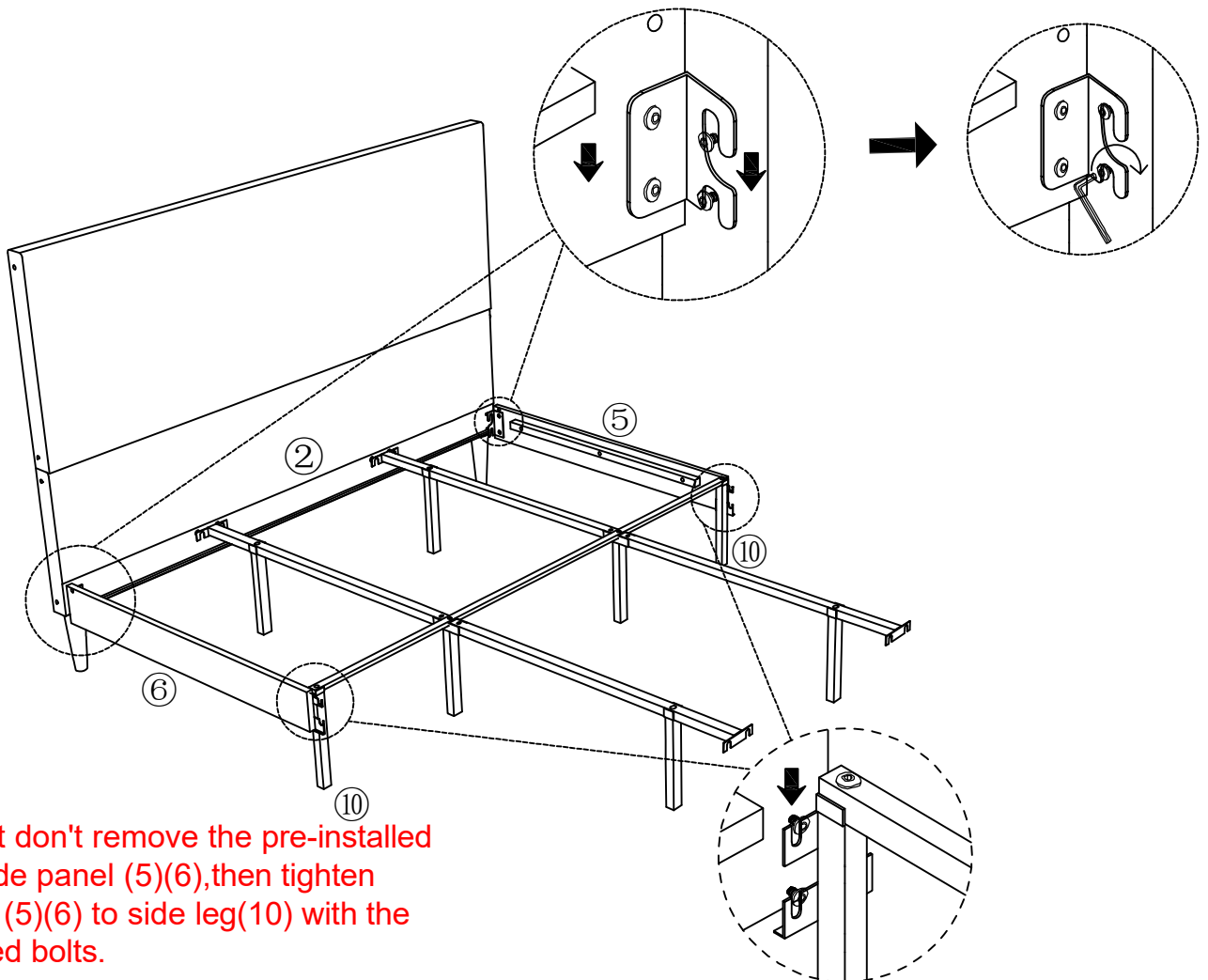
M8×45mm

C × 2 pcs



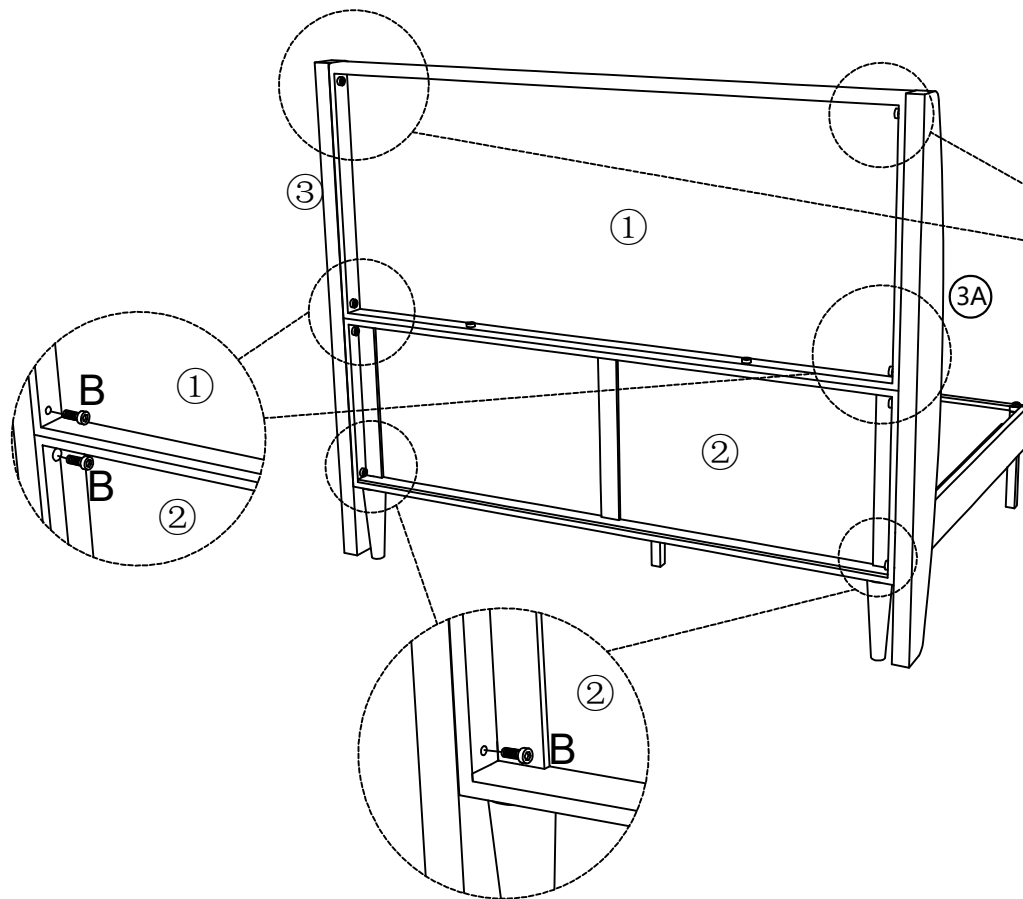
Pre-installed screws up to 50%

6



Loosen but don't remove the pre-installed bolts on side panel (5)(6), then tighten side panel (5)(6) to side leg (10) with the pre-installed bolts.

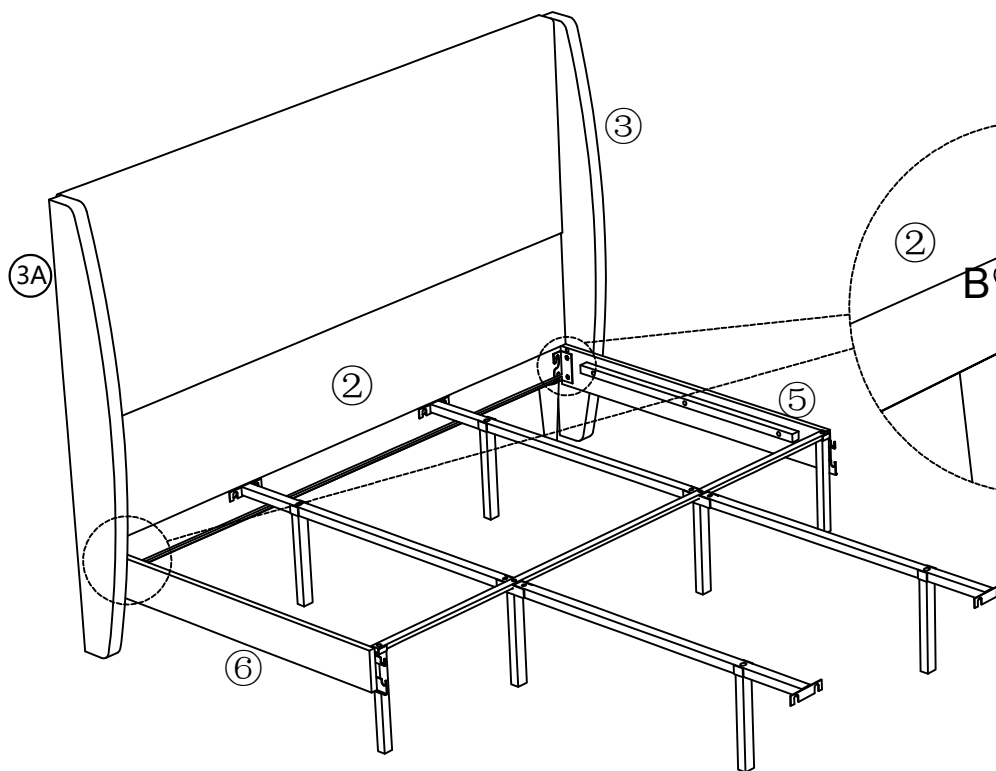
7



M8×35mm

B × 8pcs

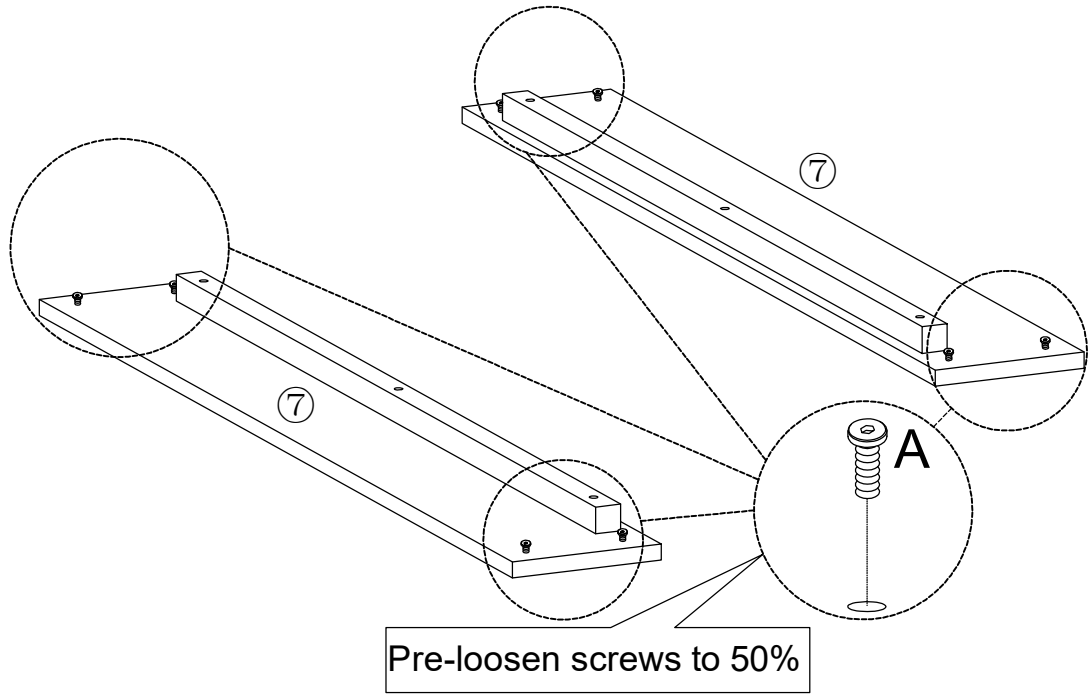
8



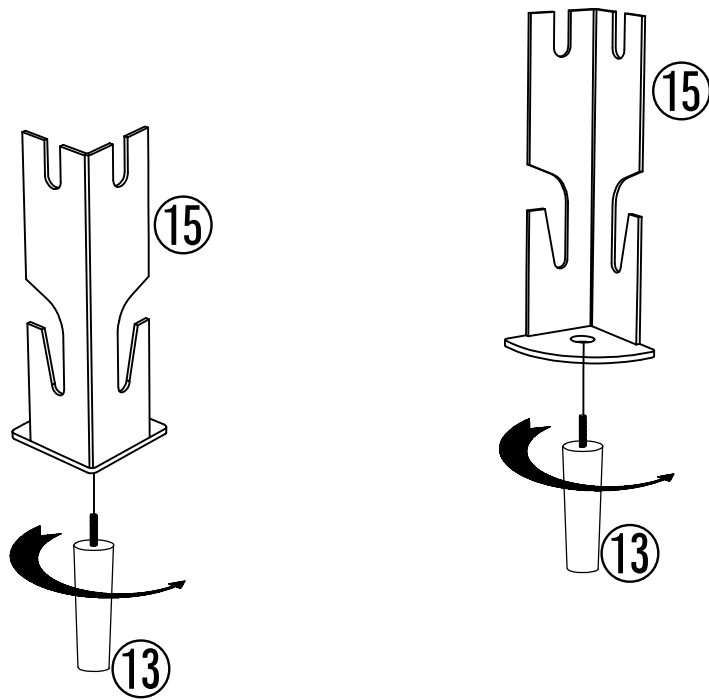
M8×35mm

B × 2pcs

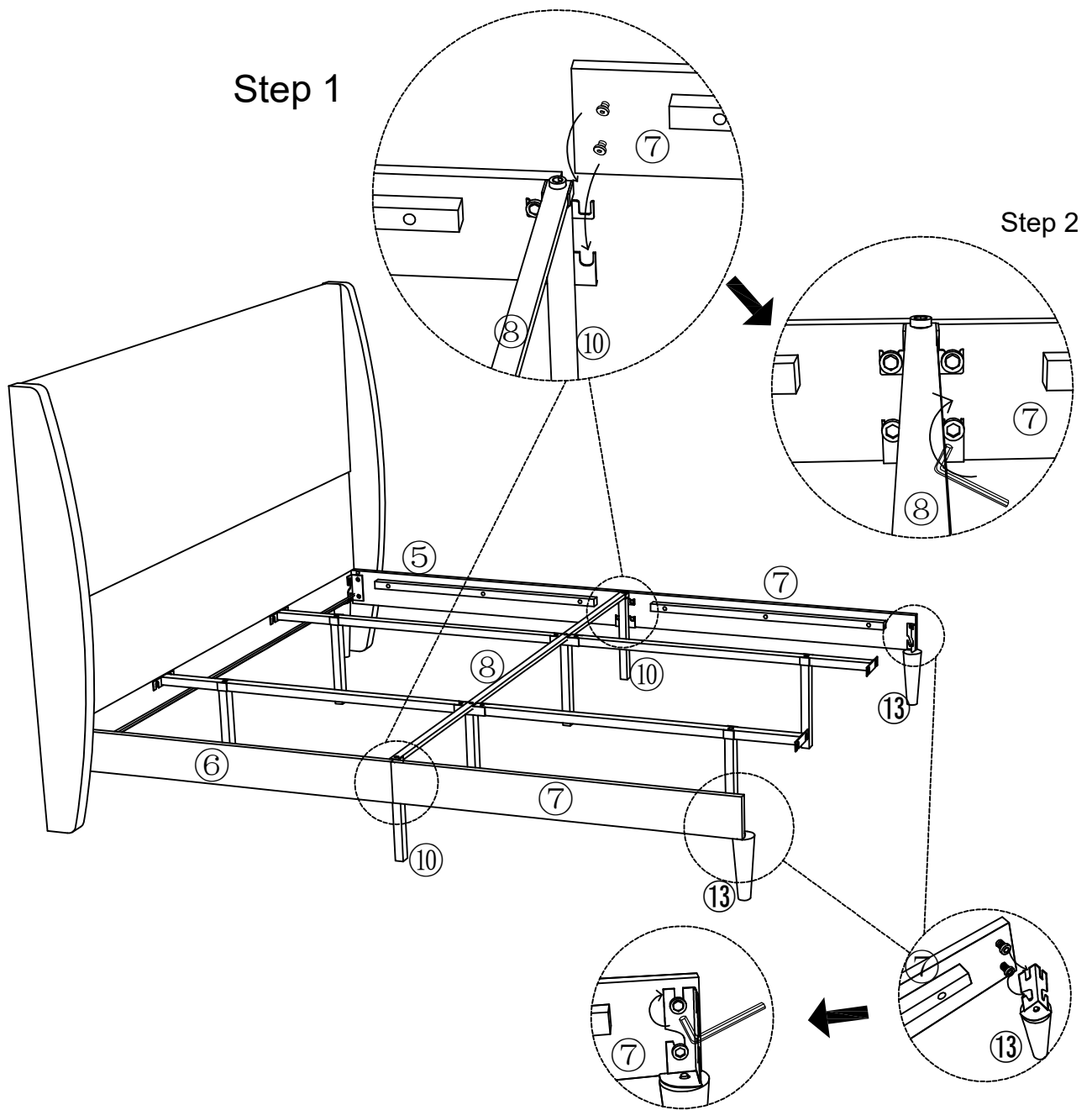
9



10



11



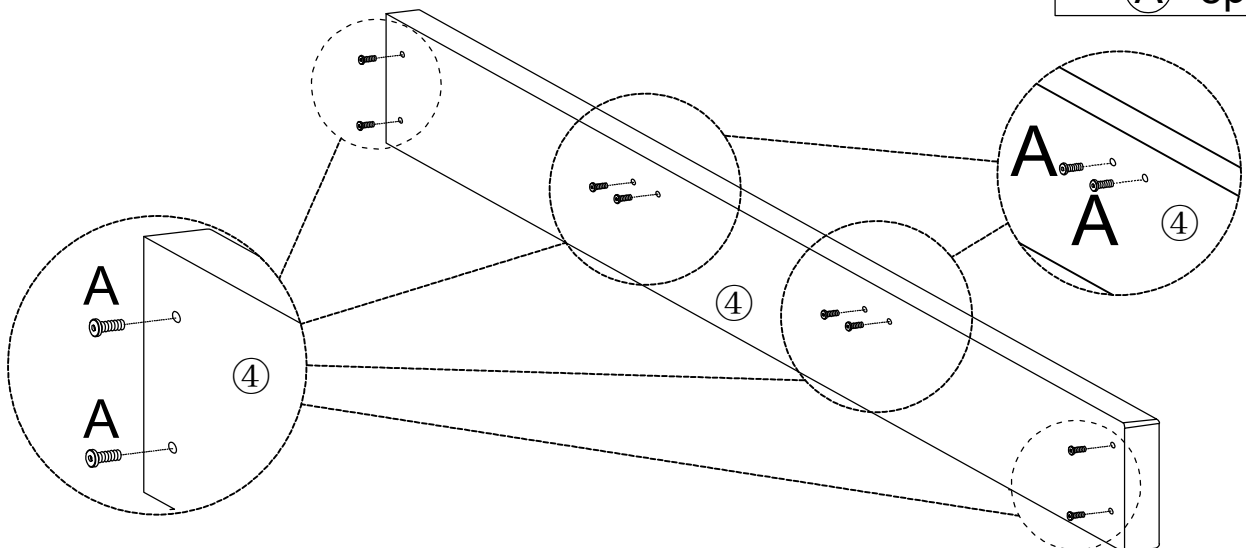
12

Please pre-install the screws to 50% first.

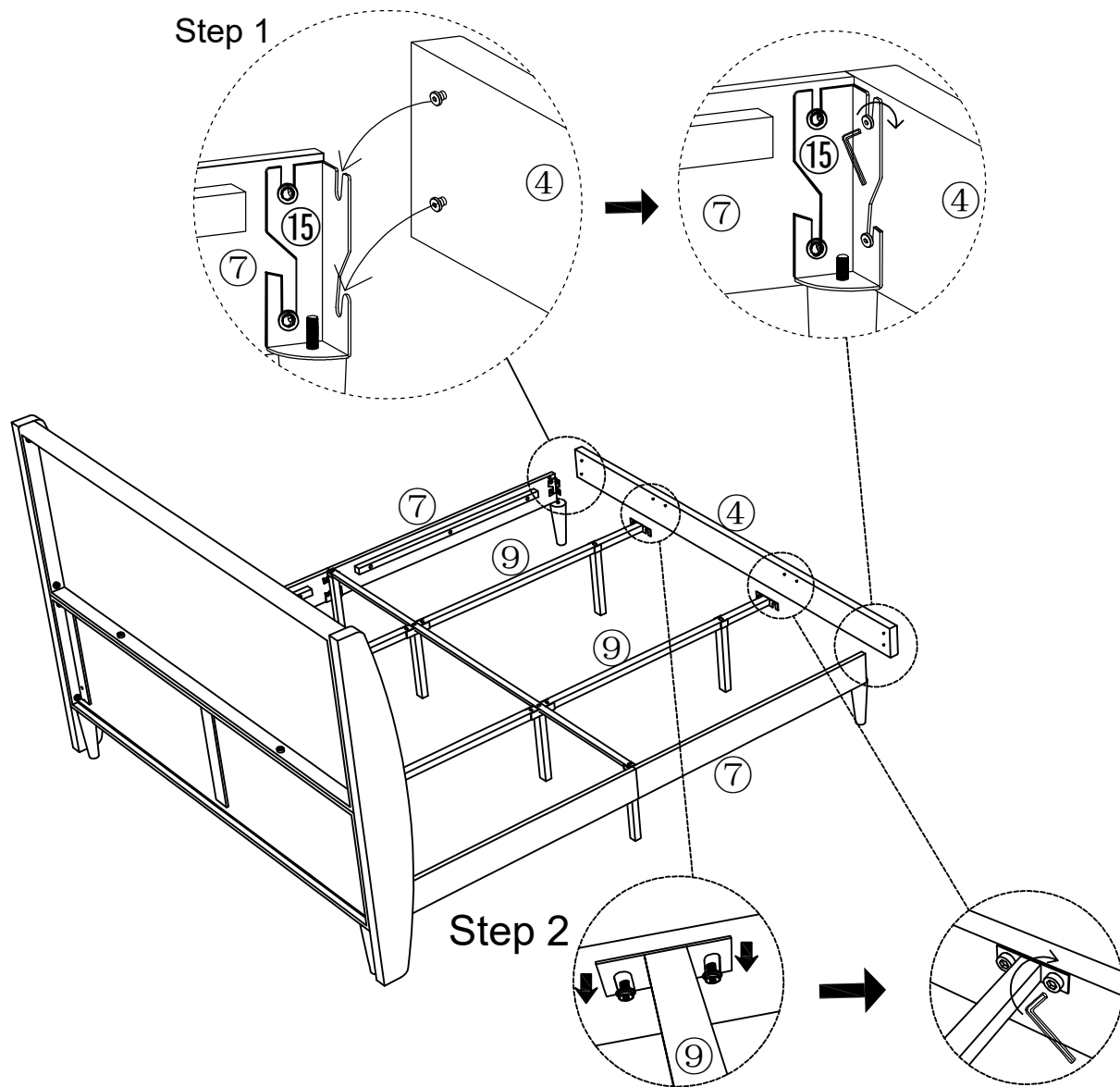


M8×18mm

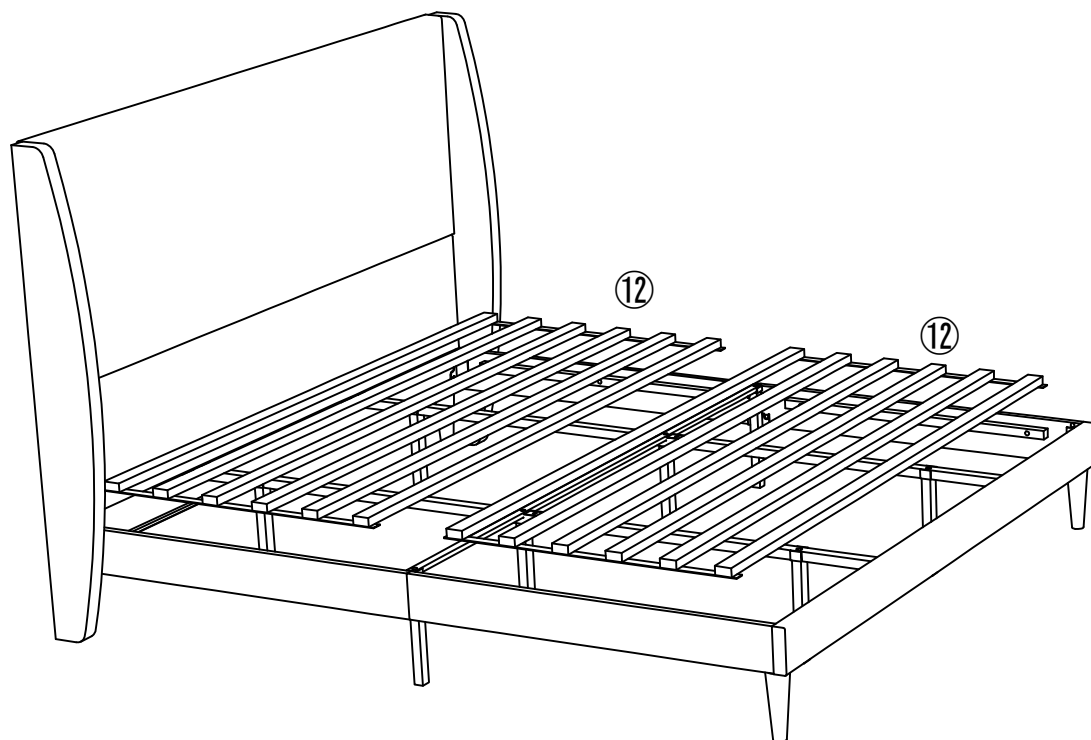
A × 8pcs

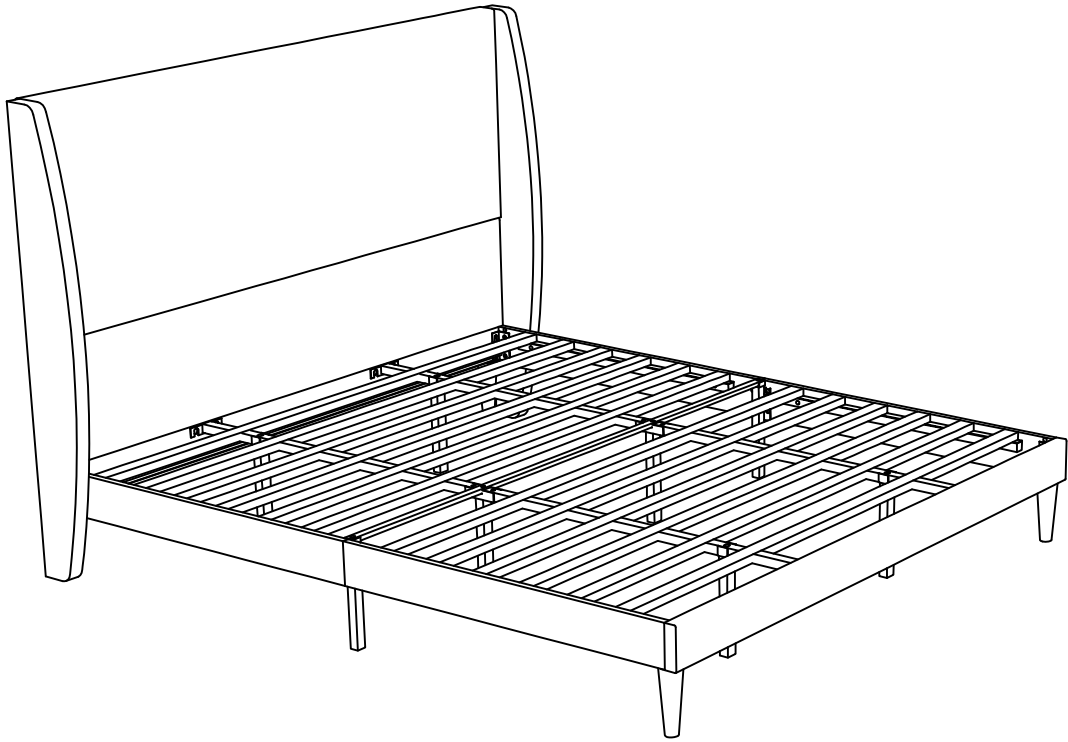


13



14





▲ WARNINGS:

For safety reasons and to prevent injuries:

This bed is not intended for use by children under 4 years old.

Prohibit jumping and horseplay on this bed.

Do not use risers under this bed.