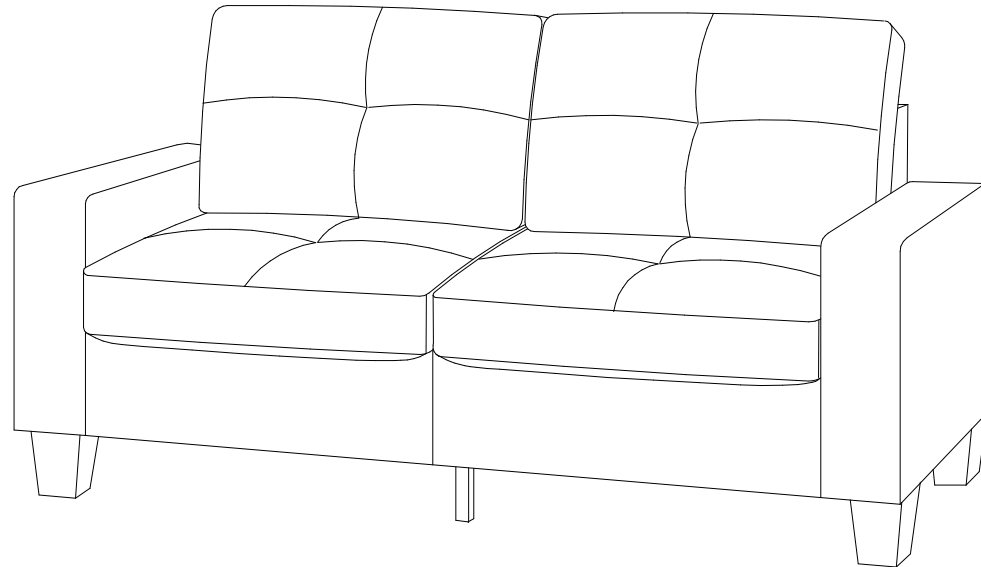


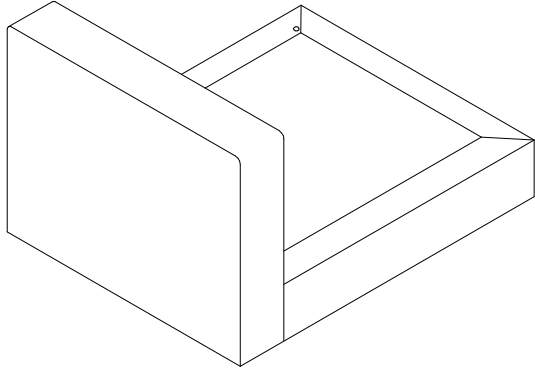
Attention:  
Two people are required for assembly and lifting unit.

## ASSEMBLY INSTRUCTION



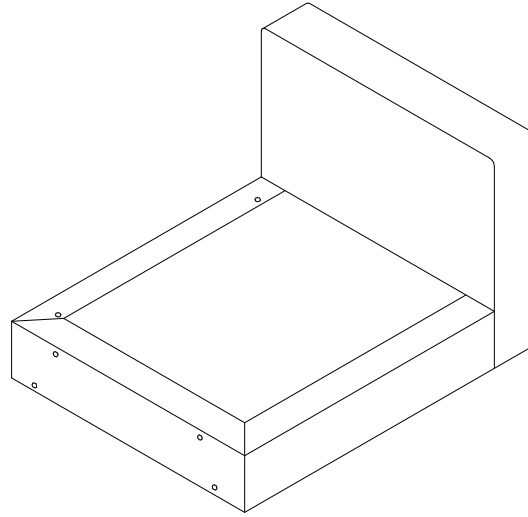
# ASSEMBLY PART

1.



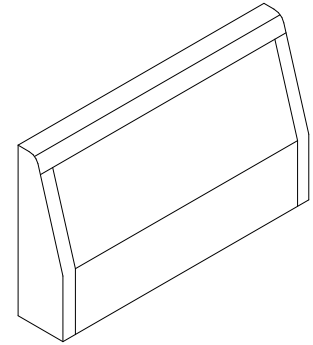
LEFT SIDE (1PC)

2.



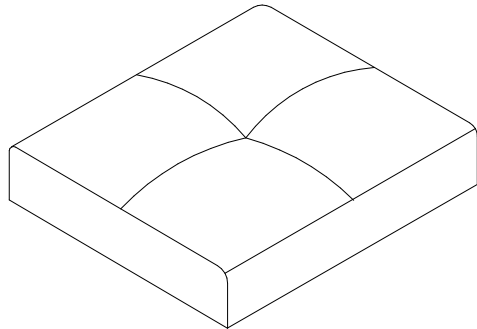
RIGHT SIDE (1PC)

3.



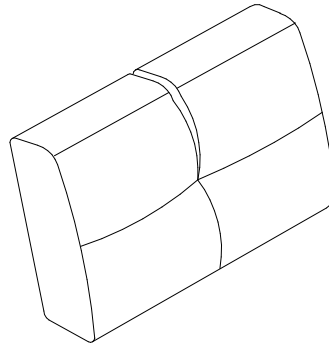
BACK REST (2PCS)

4.



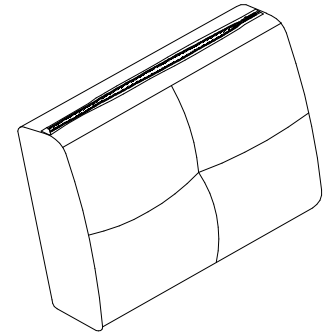
SEAT CUSHION (2PCS)

5.



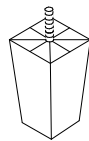
BACK PILLOWS INSIDE FILLING  
(2PCS)

6.



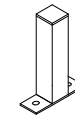
PILLOW CASE COVERS (2PCS)

8.



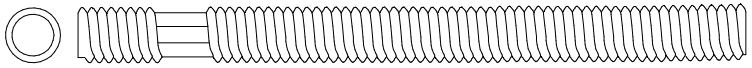

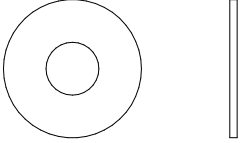

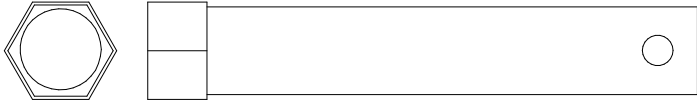
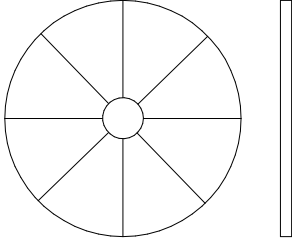


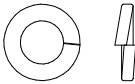
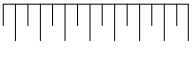
LEG (4PCS)

9.

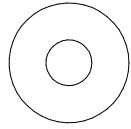


CENTER LEG (2PCS)

# HARDWARE LIST

					
<p><b>A</b></p>		<p><b>4PCS</b></p>		<p><b>C</b></p>	
<p>5/16 x 80mm</p>		<p>Spring Washer 5/16</p>		<p>Flat Washer 5/16 x 22mm</p>	
					
<p><b>D</b></p>		<p><b>E</b></p>		<p><b>F</b></p>	
<p>8PCS</p>		<p>1PC</p>		<p>4PCS</p>	
<p>Hex Nut 5/16 x 12mm</p>		<p>T Spanner</p>		<p>Plastic Washer</p>	
					
<p><b>G</b></p>		<p><b>H</b></p>		<p><b>I</b></p>	
<p>1PC</p>		<p>1PC</p>		<p>4PCS</p>	
<p>Allen Key M4</p>		<p>Allen Key M5</p>		<p>Spring Washer 1/4</p>	
<p><b>1 : 1</b></p> 					

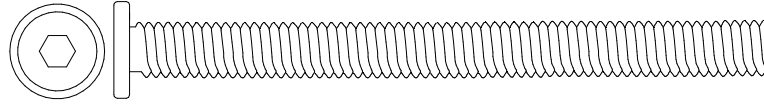
# HARDWARE LIST



**J**

**4PCS**

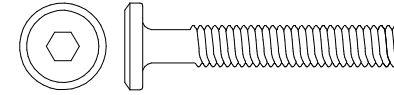
Flat Washer 1/4 x 16mm



**K**

**4PCS**

JCBB Bolt 5/16 X 80mm



**L**

**4PCS**

JCBC Bolt 1/4 X 40mm

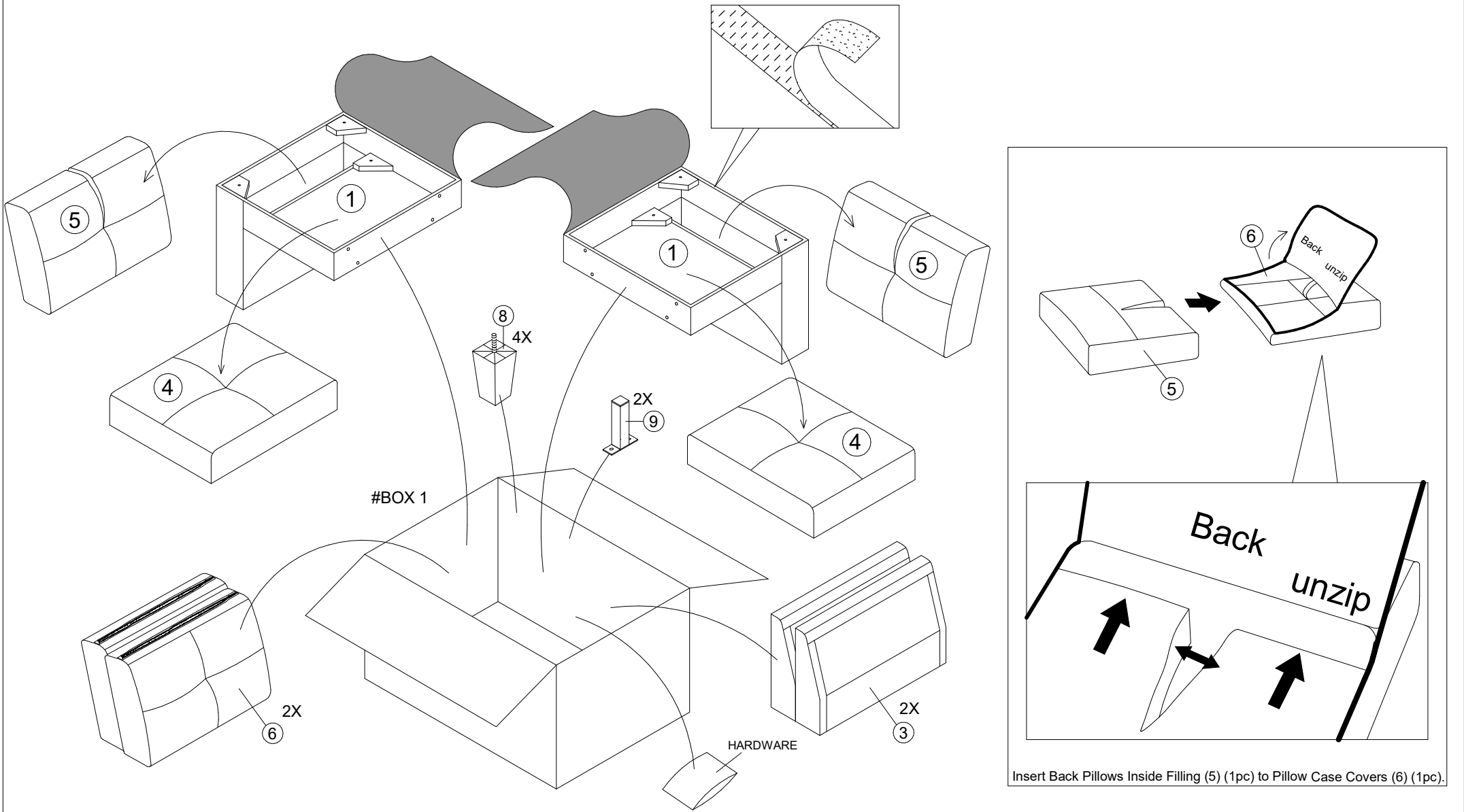
**1 : 1**



# ASSEMBLY INSTRUCTION

## STEP 1.

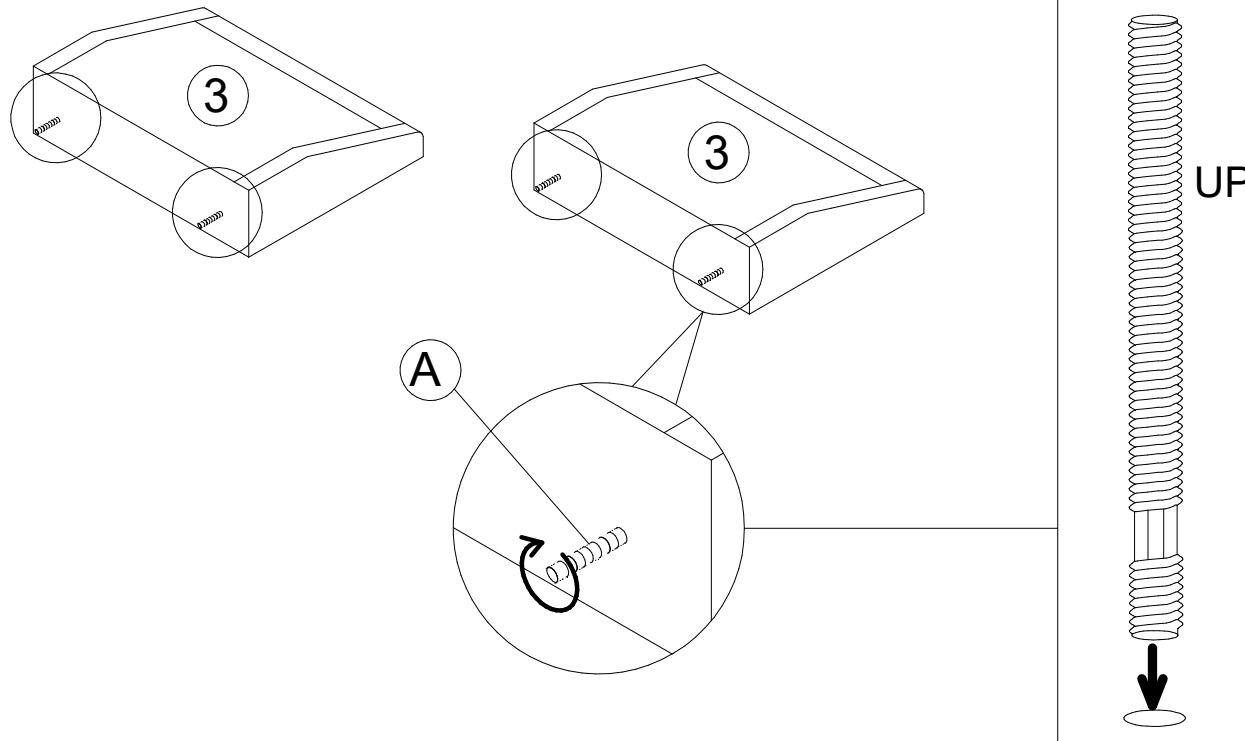
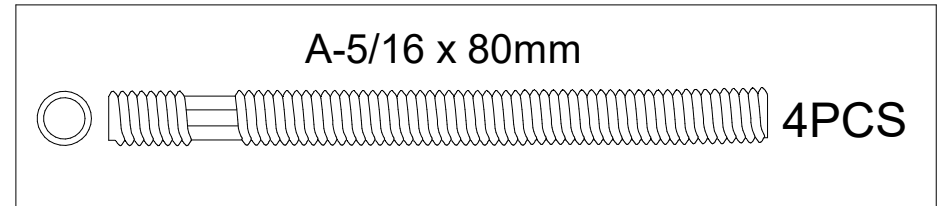
Open the cover cloth located behind the Left Side (1) and remove all parts and hardware.



# ASSEMBLY INSTRUCTION

## STEP 2.

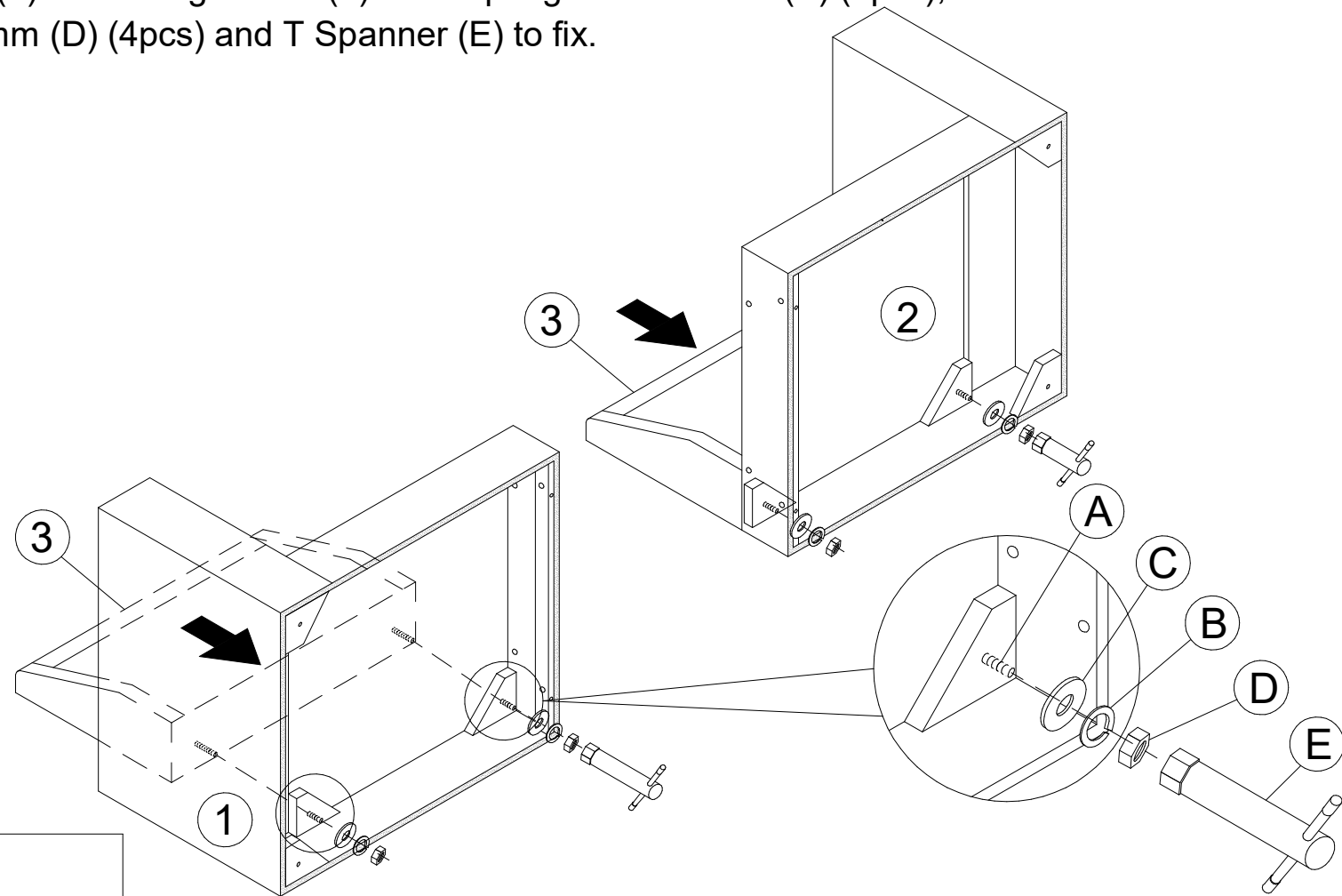
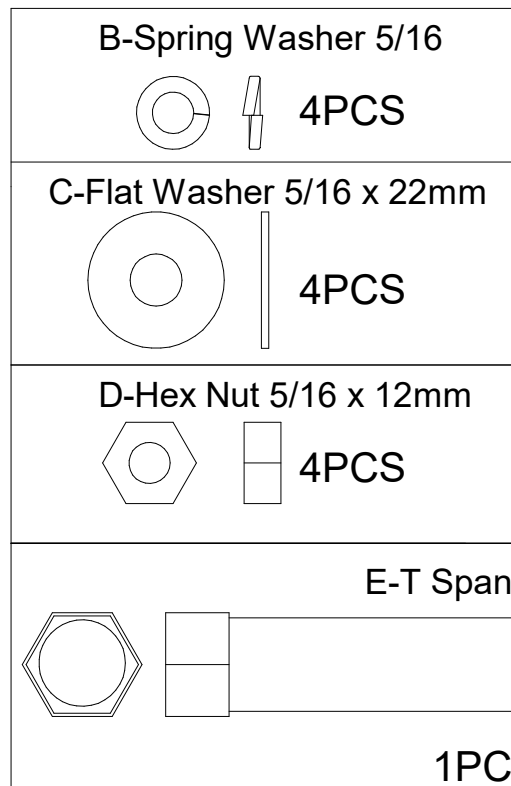
Attach 5/16 x 80mm (A) (4pcs) to Back Rest (3) (2pcs).



# ASSEMBLY INSTRUCTION

## STEP 3.

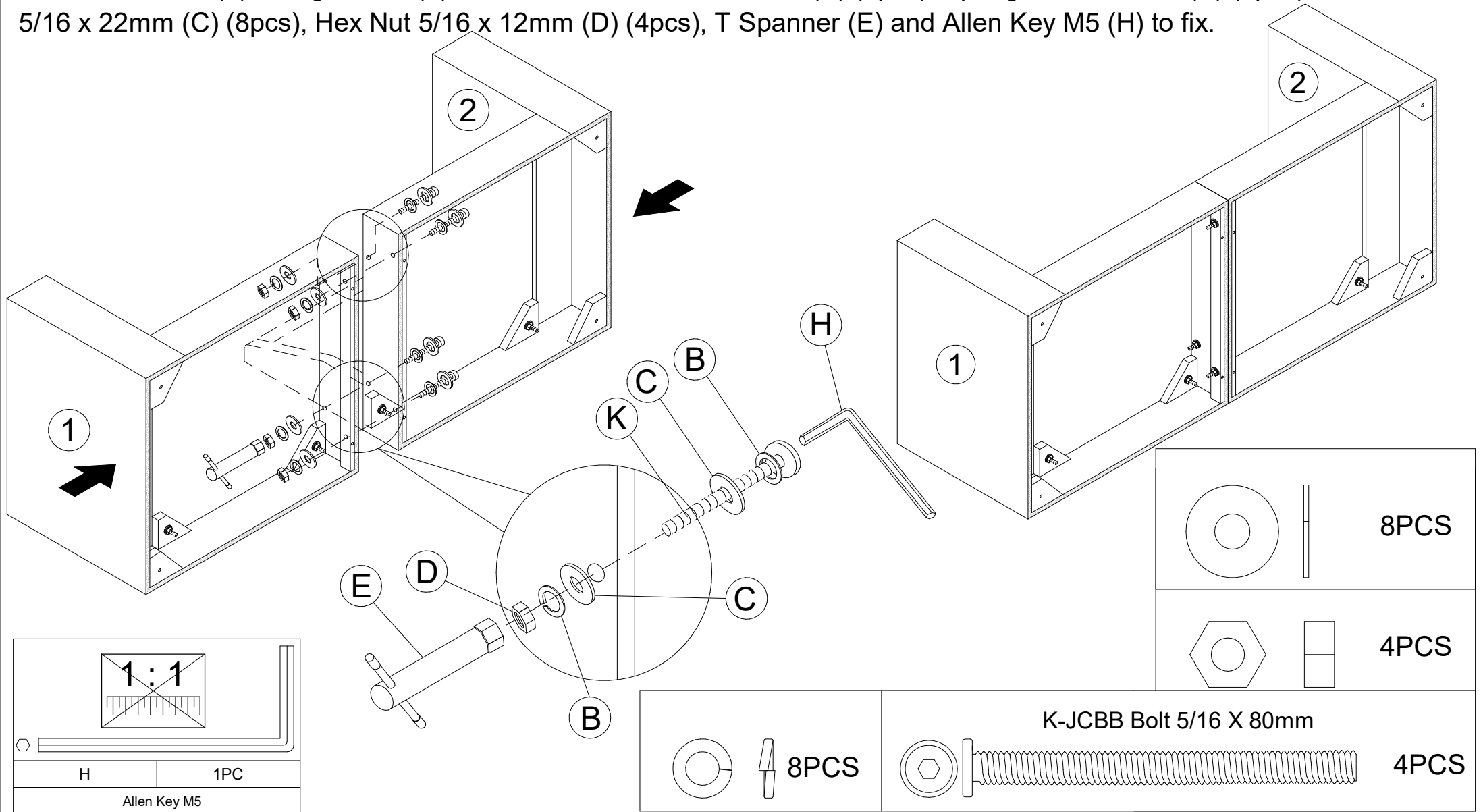
Attach the Back Rest (3) to Left Side (1) and to Right Side (2). Use Spring Washer 5/16 (B) (4pcs), Flat Washer 5/16 x 22mm (C) (4pcs), Hex Nut 5/16 x 12mm (D) (4pcs) and T Spanner (E) to fix.



# ASSEMBLY INSTRUCTION

## STEP 4.

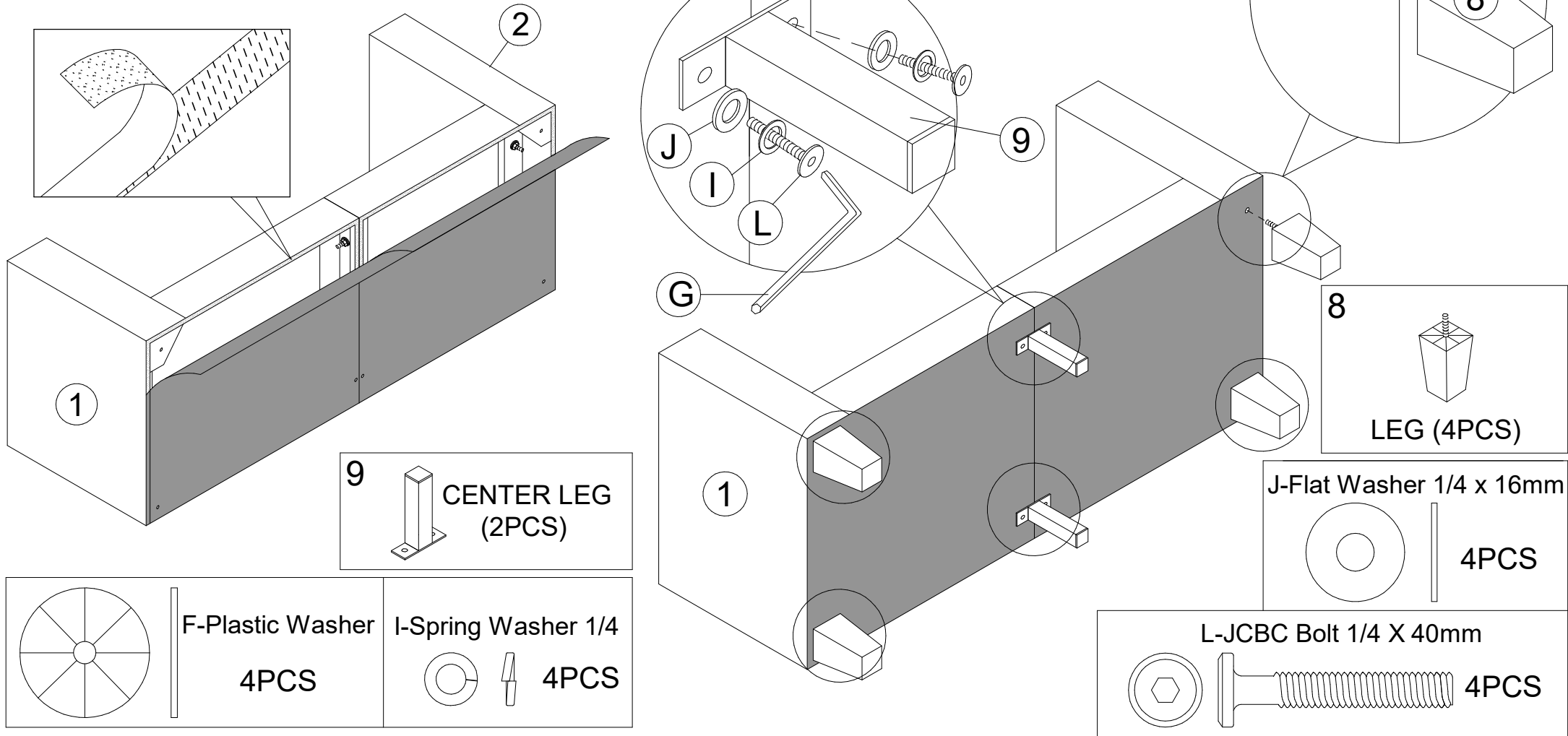
Attach Left Side (1) to Right Side (2). Use JCBB Bolt 5/16 x 80mm (K) (4pcs), Spring Washer 5/16 (B) (8pcs), Flat Washer 5/16 x 22mm (C) (8pcs), Hex Nut 5/16 x 12mm (D) (4pcs), T Spanner (E) and Allen Key M5 (H) to fix.



# ASSEMBLY INSTRUCTION

## STEP 5.

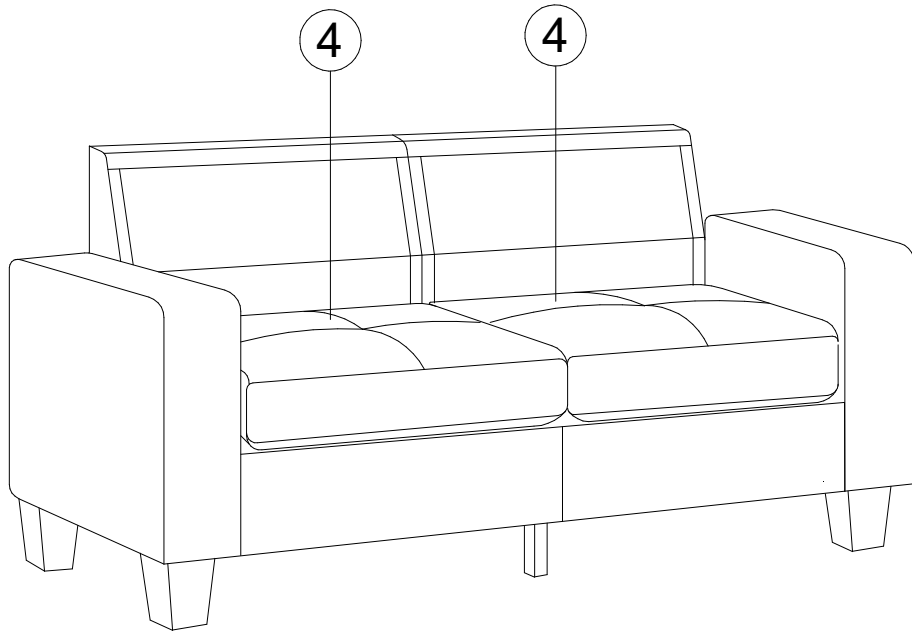
Take a Cover Cloth and closed with velcro. Attach Center Legs (9) (2pcs) to the center of the unit. Legs are to be attached using JCBC Bolt 1/4 x 40mm (L) (4pcs), Spring Washer 1/4 (I) (4pcs), Flat Washer 1/4 x 16mm (J) (4pcs) and Allen Key (G) to fix. Attach Legs (8) (4pcs) and Plastic Washer (F) (4pcs) to the four corners of the unit.



# ASSEMBLY INSTRUCTION

## STEP 6.

Attach the Seat Cushion (4) (2pcs).



## STEP 7.

Lay Back Pillow (5) (2pcs).

