

30-Inch Combi Wall Oven with Steam

TRANSITIONAL



DOC30T977DS/DA - Silver Stainless

Features & Benefits

- Steam-Assist oven
- Microwave convection speed oven
- Dual Four-Part Pure Convection system
- BrightVue™ LED & halogen lighting
- 7-inch LCD control panel with SmartThings Wi-Fi connectivity
- Chef Mode guided cooking
- Digital temperature probe
- Self-clean oven
- SoftShut™ hinges

Controls

CONTROL TYPE	7" LCD Touchscreen & Knobs
CHEF MODE GUIDED COOKING	Yes
NUMBER OF KNOBS	4
ILLUMINA™ KNOBS	White
WI-FI + SMARTTHINGS	Yes
CLOCK	Yes
DELAY START	Yes
KITCHEN TIMER	Yes
CHILD LOCK	Yes
SABBATH MODE	Yes

Microwave Oven

MICROWAVE CAPACITY (CU. FT.)	1.9
MICROWAVE POWER	950W
CONVECTION	Yes
SPEED CONVECTION SEAR	Yes
SPEED BROIL	Yes
LIGHTING	White

Steam Oven

OVEN CAPACITY (CU. FT.)	4.8
CONVECTION	Dual Four-Part Pure
STEAM	Steam-Assist (Lower)
BAKE ELEMENT	3,000W - 8 Pass
BROIL ELEMENT	4,400W - 10 Pass
CONVECTION ELEMENT	2 x 1,300W
INSTANTHEAT™ (NO PREHEAT)	Yes
TEMPERATURE PROBE	Yes
LIGHTING	BrightVue™ - LED & Halogen
SELF-CLEAN	Self-Clean, GreenClean™
SOFTSHUT™	Yes

Weights & Dimensions

NET WEIGHT (LBS.)	132
SHIPPING WEIGHT (LBS.)	149
PRODUCT DIMENSIONS (W X H X D IN INCHES)	29 ¾ x 43 ¾ x 23 ½
STANDARD CUTOUT REQUIRED (W X H X D IN INCHES)	28 ¾ x 42 ¼ x 23 ½
FLUSH CUTOUT REQUIRED (W X H X D IN INCHES)	30 ¼ x 43 ¾ x 24 7/8

Technical Details

ELECTRICAL REQUIREMENT	240/208V, 60 Hz, 40A
-------------------------------	----------------------

Warranty

FULL COVERAGE	2 Years
----------------------	---------

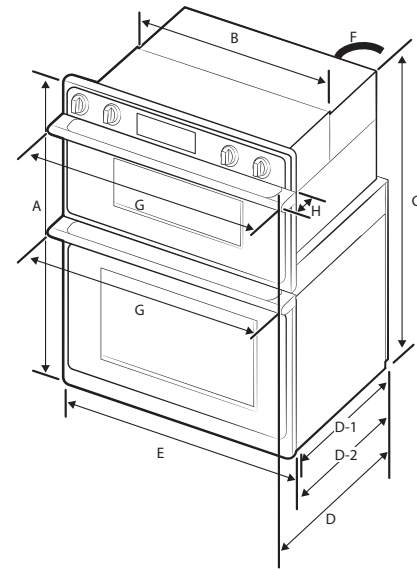
30-Inch Combi Wall Oven with Steam

TRANSITIONAL



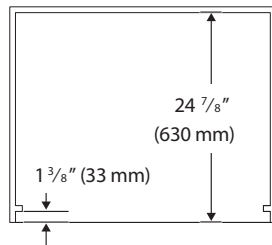
Product Dimensions

A - (IN/CM)	43 ³ / ₄ / 110.2
B - (IN/CM)	28 ¹ / ₂ / 72.4
C - (IN/CM)	42 / 106.7
D - (IN/CM)	26 ³ / ₈ / 67.6
D-1 - (IN/CM)	23 ³ / ₈ / 58.7
D-2 - (IN/CM)	24 ³ / ₈ / 62
E - (IN/CM)	29 ³ / ₄ / 75.6
F - (IN/CM)	67 / 170
G - (IN/CM)	29 ¹ / ₈ / 74.1
H - (IN/CM)	2 ¹ / ₈ / 5.6



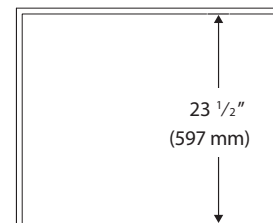
Installation Cutout Dimensions (Flush)

Allow a minimum of 22" for clearance to adjacent corners, drawers, walls, etc. when door is open.

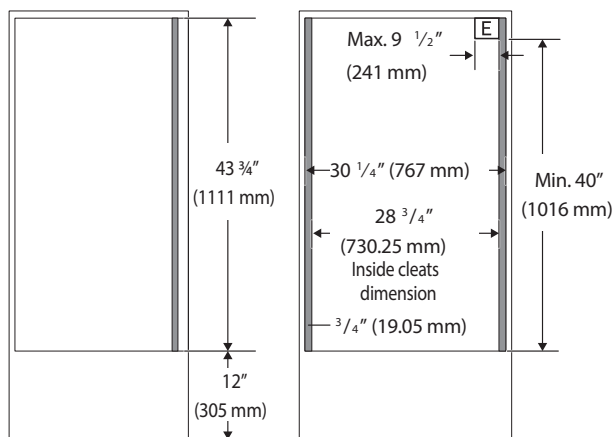


Top view

Installation Cutout Dimensions (Standard)

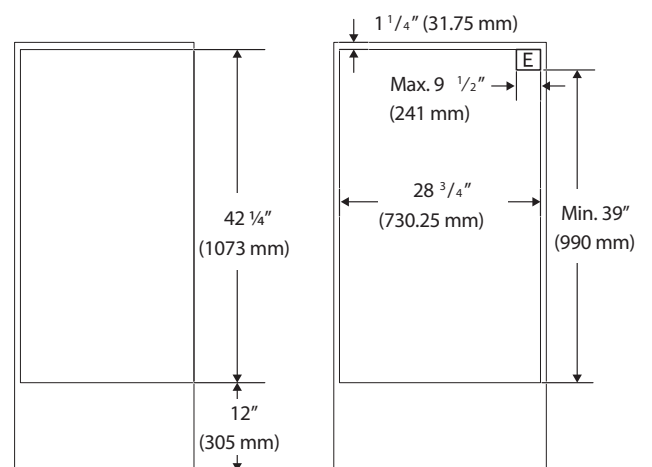


Top view



Side view

Front view



Side view

Front view