

# CANOPY INSTALLATION INSTRUCTIONS

## WIRE CONNECTION DIAGRAM

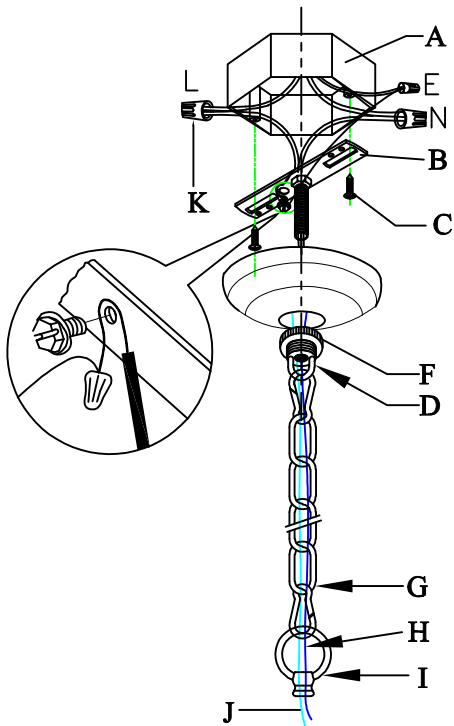
Wires meet safety standards are recommended to connect the supply circuit.

**CAUTION:** Risk of fire



## CANOPY INSTALLATION INSTRUCTIONS

Please read all instructions carefully. Before you proceed to install, make sure that the power supply is turned off and remains off until installation is complete. Please note that each part has been assigned a letter. Please proceed in an alphabetical order.



- A. Existing Electrical Box
- B. Crossbar
- C. Crossbar Screws
- D. Canopy Loop
- E. Canopy
- F. Canopy Loop Nut lock
- G. Chain
- H. Ground Wire
- I. Loop
- J. Wire
- K. Junction Caps

Attach the Crossbar (B) to the existing electrical box (A) using the two crossbar screws (C) which are not supplied and should already be in your box.

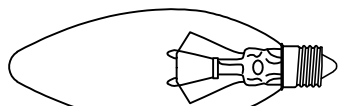
Slide the canopy loop nut lock (F) back up over the canopy loop (D), pass the canopy loop (D) through canopy (E), connect with the threaded pipe underside of the crossbar.

Pass the main wire (J) and ground wire (H) through the loop (I), the chain (G), the canopy loop nut lock (F), the canopy (E), the canopy loop (D) and the crossbar (B) until the end of the main wire (J) reaches the electrical box (A) where you can make the appropriate connections. Be sure when connecting the wire use electrician approved junction caps (K). Stow the excess wire in the electrical box (A). Raise the canopy (E) and canopy loop nut lock (F), attach canopy (E) to ceiling, slide canopy loop nut lock (F) over canopy loop (D) and hold the canopy (E).



Buckle is used to connect the chain and loop or adjust the length of chain.

## Light Bulb

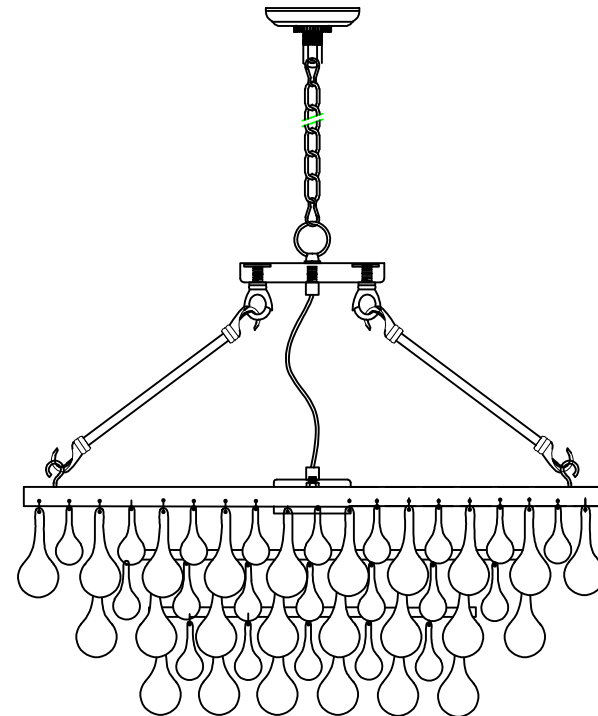


E12

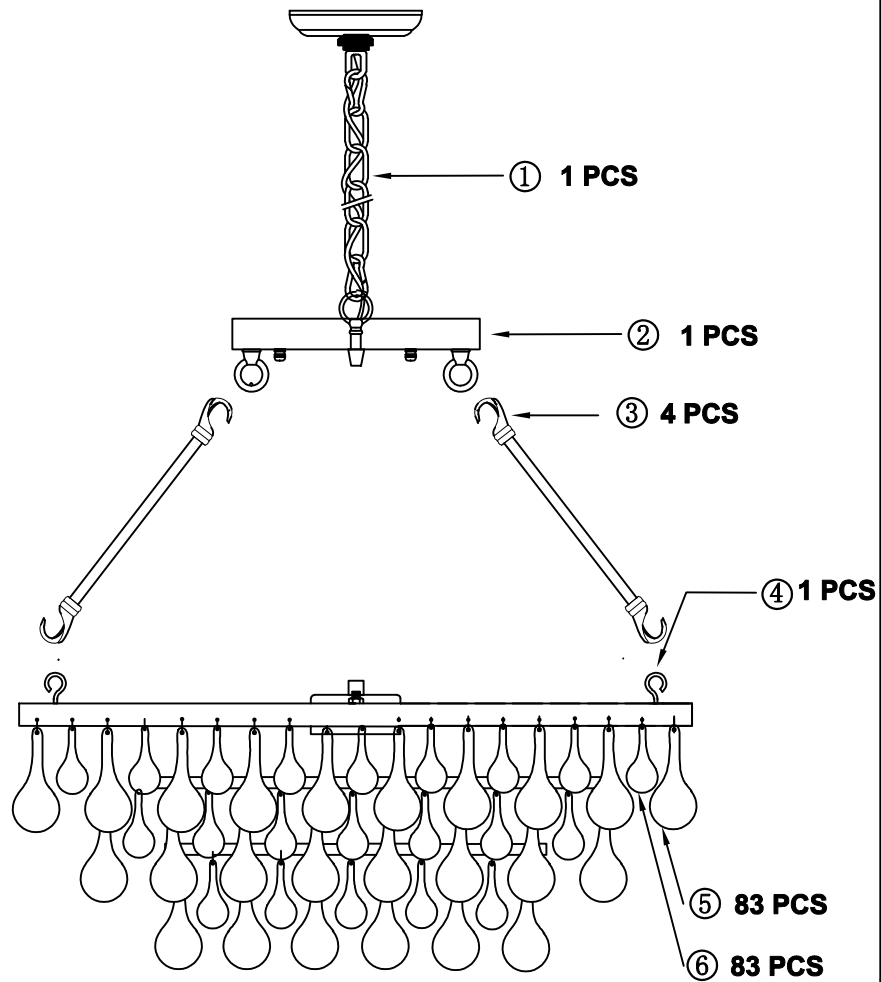
# USER MANUAL FOR MODEL# HG8914

Light Bulb: E12      light: E12\*9

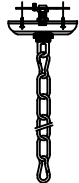

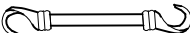
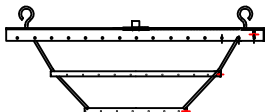

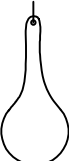
( Rated 110-130V/60Hz, bulb 60W maximum. )



Please note: The parts in this table are completely unassembled, for illustrative purpose. In the actual product that you receive, some parts are assembled and attached together.



## Products list

NO.	Picture	Quantity
1		1 PCS
2		1 PCS
3		4 PCS
4		1 PCS
5		83 PCS
6		83 PCS

# Assembly and Installation Steps

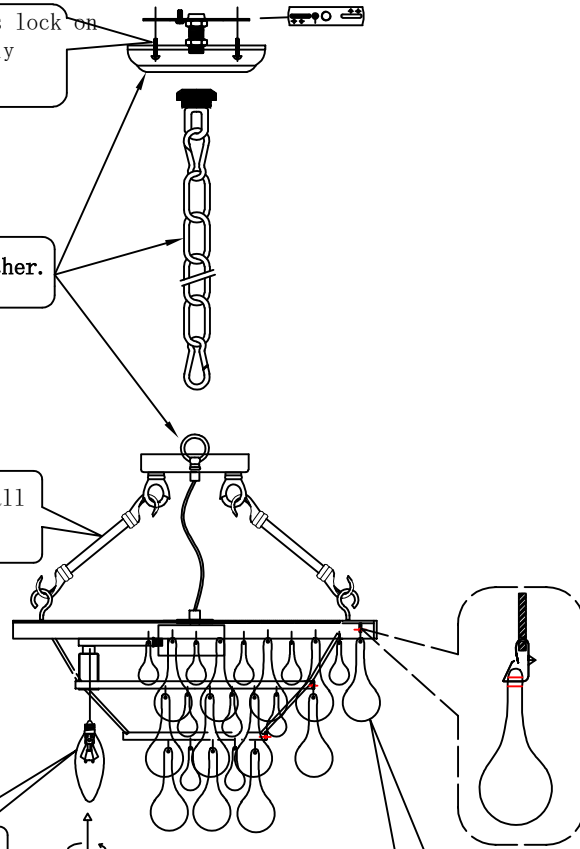
1: Used two screws lock on the ceiling tightly to fix the light.

2: Lock together.

4: The lamp body with small chains on the chassis.

5: Install the bulb.

6: The steps of hanging crystals.



# Product Size

