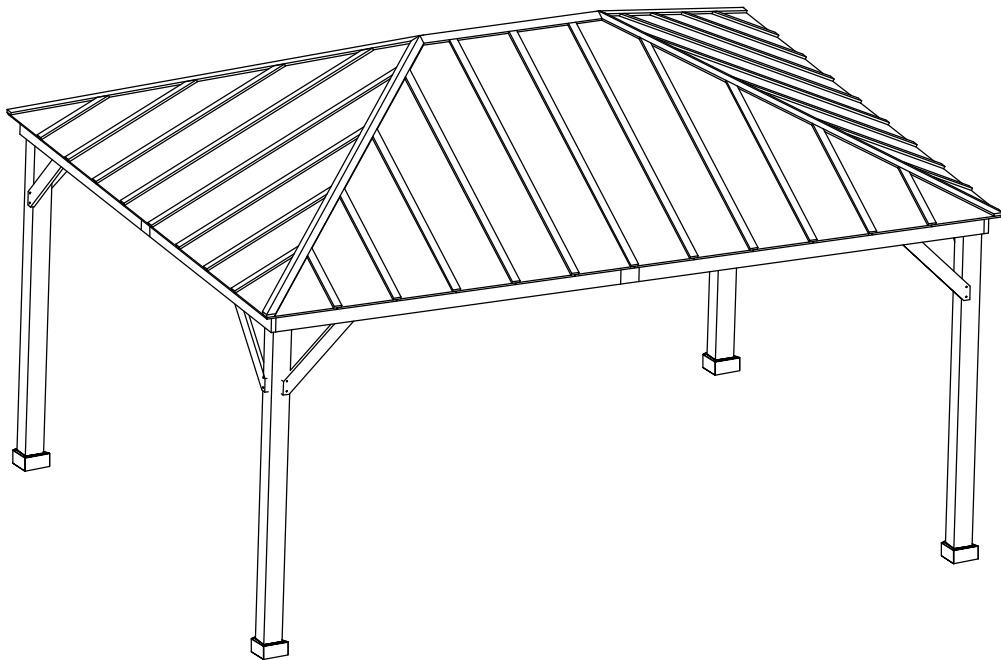


Assembling Instruction

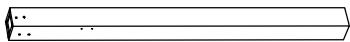
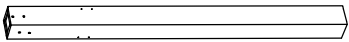







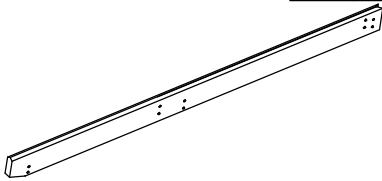

12FTx16FT


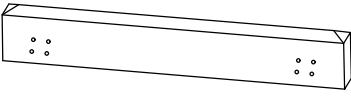
ITEM#: ZHG-029



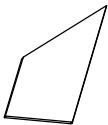
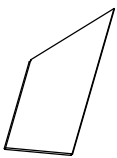
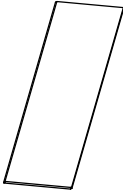
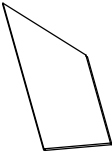

SKU: ZHG-029

- ATTENTION:
1. Please check the manual carefully and make sure you have received all the parts.
 2. If there is any missing, please let us know the letter of the parts you need.
 3. If there is any damage, please send clear photos to us, we will check and offer you best solution soon.

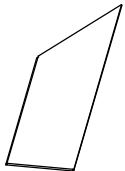
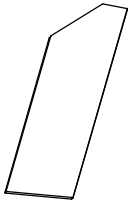
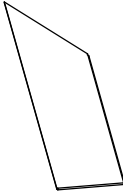
Parts List (Box A)					
AA	x2		BB	x2	
					
FF	x2		JJ	x2	
					
Parts List (Box B)					
CC	x4		DD	x4	GG
					
HH	x2		II	x4	KK
					

	
---	---




Parts List (Box C)

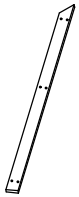
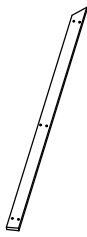
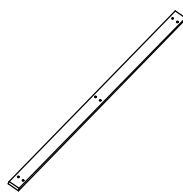
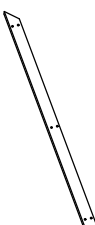
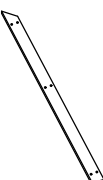


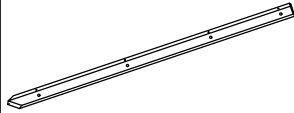
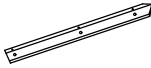
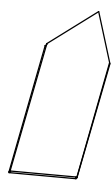


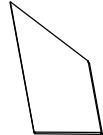
		
		

Parts List (Box D)



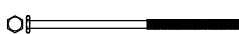
		
---	---	---


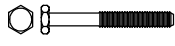
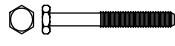
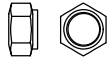

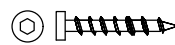
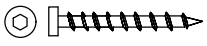

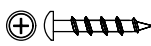
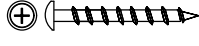
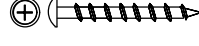
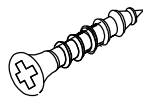
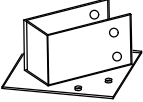
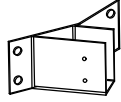
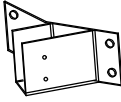
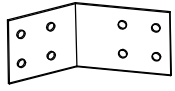
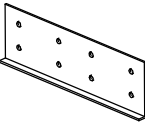
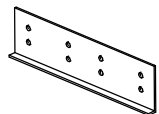


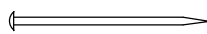




Parts List (Box E)

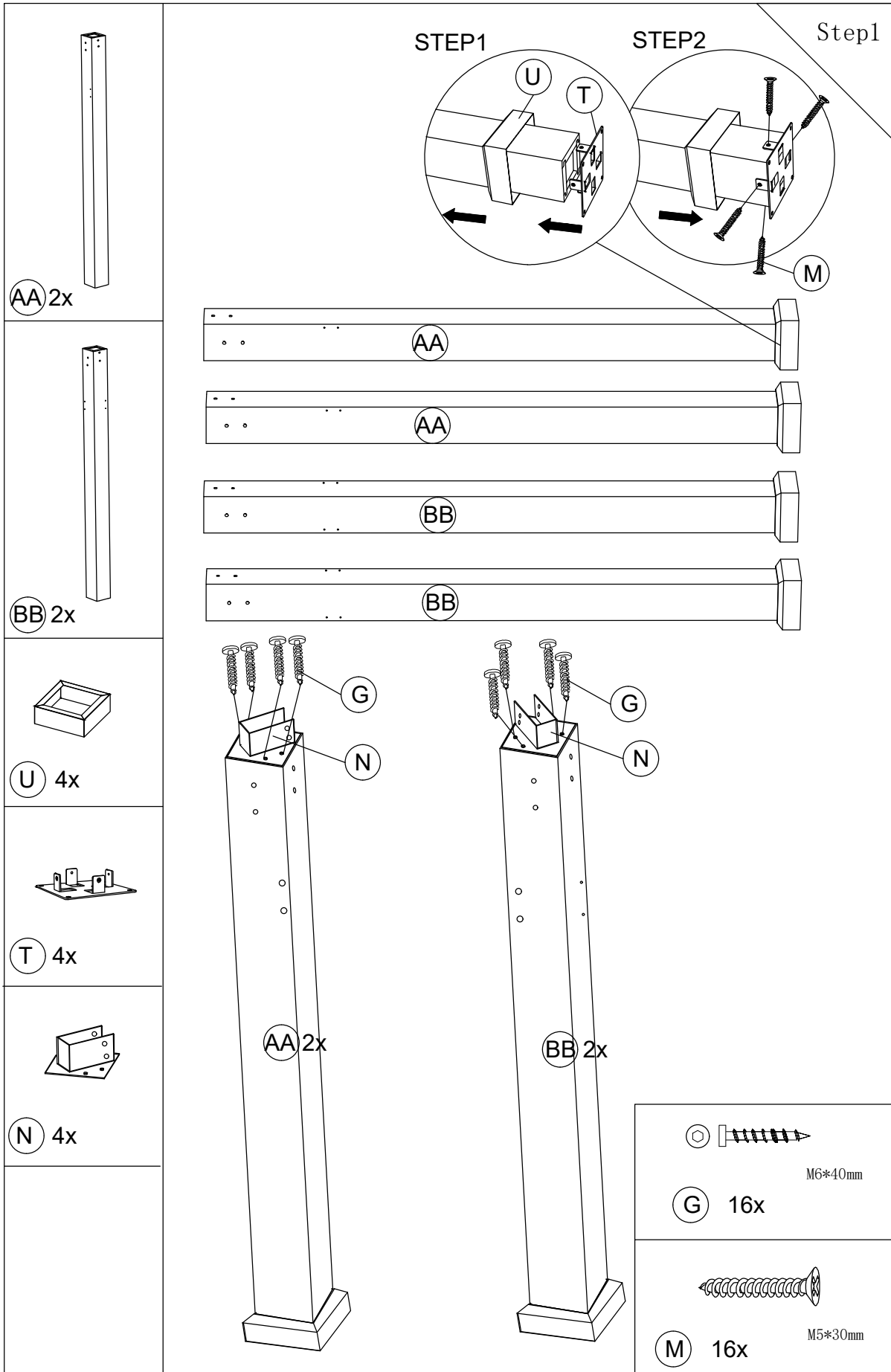
		
---	---	---







	QQ X4		RR X4		SS X6
	TT X4		UU X4		VV X4
	WW X4		XX X4		YY X4
	ZZ5 X2		ZZ7 X2		ZZ9 X2
	ZZ10 X2				

Parts List (Box F)

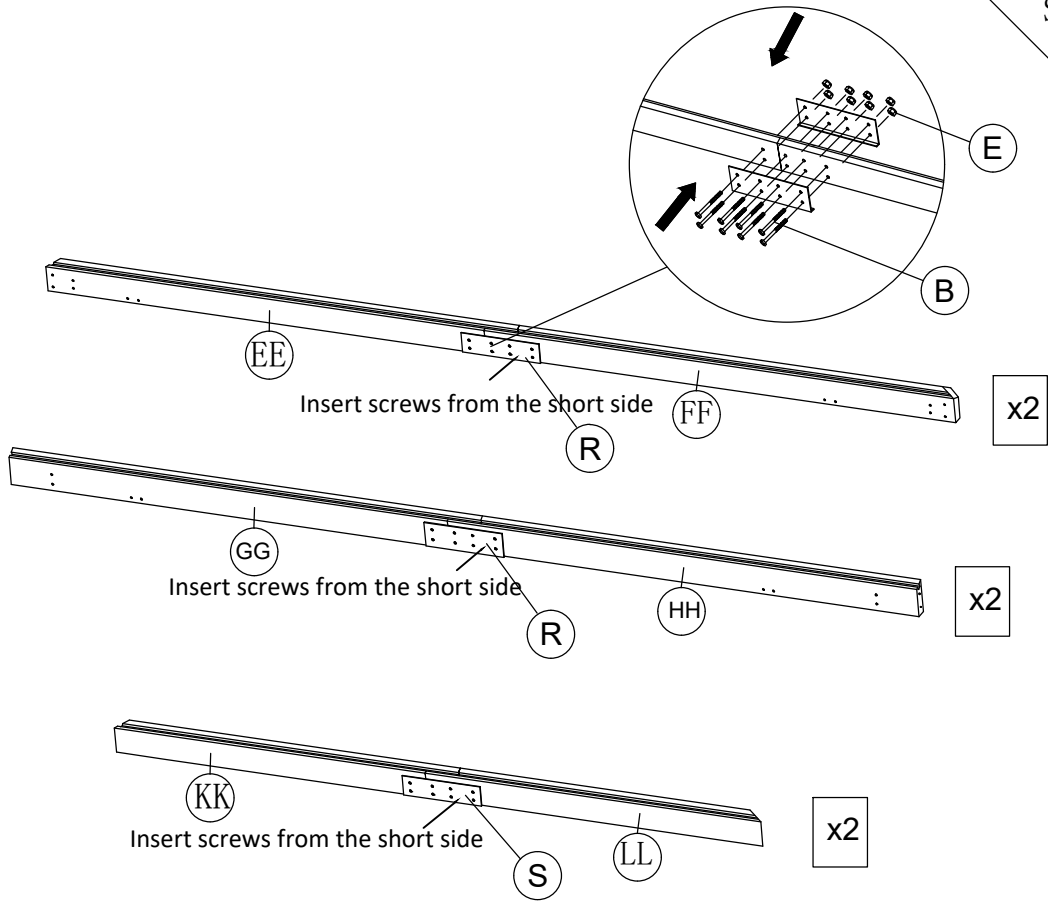
	ZZ X4		ZZ11 X4	A x16+(1) M8*165mm
				

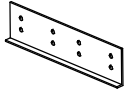
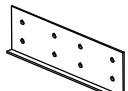
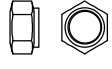

<table border="1"> <tr> <td>B</td> <td>x48+ (2)</td> </tr> <tr> <td colspan="2">M8*45mm</td> </tr> </table> 	B	x48+ (2)	M8*45mm		<table border="1"> <tr> <td>C</td> <td>x56+ (2)</td> </tr> <tr> <td colspan="2">M8*55mm</td> </tr> </table> 	C	x56+ (2)	M8*55mm		<table border="1"> <tr> <td>D</td> <td>x8+ (1)</td> </tr> <tr> <td colspan="2">M8*75mm</td> </tr> </table> 	D	x8+ (1)	M8*75mm						
B	x48+ (2)																		
M8*45mm																			
C	x56+ (2)																		
M8*55mm																			
D	x8+ (1)																		
M8*75mm																			
<table border="1"> <tr> <td>E</td> <td>x128+ (3)</td> </tr> <tr> <td colspan="2">M8</td> </tr> </table> 	E	x128+ (3)	M8		<table border="1"> <tr> <td>F</td> <td>x80+ (3)</td> </tr> <tr> <td colspan="2">ø20*1.4mm</td> </tr> </table> 	F	x80+ (3)	ø20*1.4mm		<table border="1"> <tr> <td>G</td> <td>x32+ (1)</td> </tr> <tr> <td colspan="2">M6*40mm</td> </tr> </table> 	G	x32+ (1)	M6*40mm						
E	x128+ (3)																		
M8																			
F	x80+ (3)																		
ø20*1.4mm																			
G	x32+ (1)																		
M6*40mm																			
<table border="1"> <tr> <td>H</td> <td>x8+ (1)</td> </tr> <tr> <td colspan="2">M6*65mm</td> </tr> </table> 	H	x8+ (1)	M6*65mm		<table border="1"> <tr> <td>I</td> <td>x2</td> </tr> <tr> <td colspan="2">M8</td> </tr> </table> 	I	x2	M8		<table border="1"> <tr> <td>J</td> <td>x236+ (4)</td> </tr> <tr> <td colspan="2">M4*25mm</td> </tr> </table> 	J	x236+ (4)	M4*25mm						
H	x8+ (1)																		
M6*65mm																			
I	x2																		
M8																			
J	x236+ (4)																		
M4*25mm																			
<table border="1"> <tr> <td>K</td> <td>x64+ (2)</td> </tr> <tr> <td colspan="2">M4*50mm</td> </tr> </table> 	K	x64+ (2)	M4*50mm		<table border="1"> <tr> <td>L</td> <td>x120+ (3)</td> </tr> <tr> <td colspan="2">M4*60mm</td> </tr> </table> 	L	x120+ (3)	M4*60mm		<table border="1"> <tr> <td>M</td> <td>x20+ (1)</td> </tr> <tr> <td colspan="2">M5*30mm</td> </tr> </table> 	M	x20+ (1)	M5*30mm						
K	x64+ (2)																		
M4*50mm																			
L	x120+ (3)																		
M4*60mm																			
M	x20+ (1)																		
M5*30mm																			
<table border="1"> <tr> <td>N</td> <td>x4</td> </tr> <tr> <td colspan="2">115*115*57mm</td> </tr> </table> 	N	x4	115*115*57mm		<table border="1"> <tr> <td>O</td> <td>x4</td> </tr> <tr> <td colspan="2">128*72.6mm</td> </tr> </table> 	O	x4	128*72.6mm		<table border="1"> <tr> <td>P</td> <td>x4</td> </tr> <tr> <td colspan="2">128*72.6mm</td> </tr> </table> 	P	x4	128*72.6mm						
N	x4																		
115*115*57mm																			
O	x4																		
128*72.6mm																			
P	x4																		
128*72.6mm																			
<table border="1"> <tr> <td>Q</td> <td>x4</td> </tr> <tr> <td colspan="2">156.6*58*70mm</td> </tr> </table> 	Q	x4	156.6*58*70mm		<table border="1"> <tr> <td>R</td> <td>x8</td> </tr> <tr> <td colspan="2">300*93mm</td> </tr> </table> 	R	x8	300*93mm		<table border="1"> <tr> <td>S</td> <td>x4</td> </tr> <tr> <td colspan="2">300*67mm</td> </tr> </table> 	S	x4	300*67mm						
Q	x4																		
156.6*58*70mm																			
R	x8																		
300*93mm																			
S	x4																		
300*67mm																			
<table border="1"> <tr> <td>T</td> <td>x4</td> </tr> <tr> <td colspan="2">160*160mm</td> </tr> </table> 	T	x4	160*160mm		<table border="1"> <tr> <td>U</td> <td>x4</td> </tr> <tr> <td colspan="2">173*173mm</td> </tr> </table> 	U	x4	173*173mm		<table border="1"> <tr> <td>V</td> <td>x8</td> </tr> <tr> <td colspan="2">ø8*180</td> </tr> </table> 	V	x8	ø8*180						
T	x4																		
160*160mm																			
U	x4																		
173*173mm																			
V	x8																		
ø8*180																			
<table border="1"> <tr> <td>W</td> <td>x4</td> </tr> <tr> <td colspan="2">M6*89mm</td> </tr> </table> 	W	x4	M6*89mm		<table border="1"> <tr> <td>X</td> <td>x4</td> </tr> <tr> <td colspan="2">80*80*15mm</td> </tr> </table> <p>Corner protector</p> 	X	x4	80*80*15mm		<table border="1"> <tr> <td>Y</td> <td>x1</td> </tr> <tr> <td colspan="2">M6</td> </tr> </table> 	Y	x1	M6		<table border="1"> <tr> <td>Z</td> <td>x6</td> </tr> <tr> <td colspan="2">200*100mm</td> </tr> </table> <p>Asphalt tile</p> 	Z	x6	200*100mm	
W	x4																		
M6*89mm																			
X	x4																		
80*80*15mm																			
Y	x1																		
M6																			
Z	x6																		
200*100mm																			



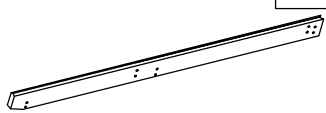
<div style="text-align: right;">EE x2</div> 	<div style="text-align: right;">FF x2</div> 	<div style="text-align: right;">GG x2</div> 
<div style="text-align: right;">HH x2</div> 	<div style="text-align: right;">KK x2</div> 	<div style="text-align: right;">LL x2</div> 

Step2

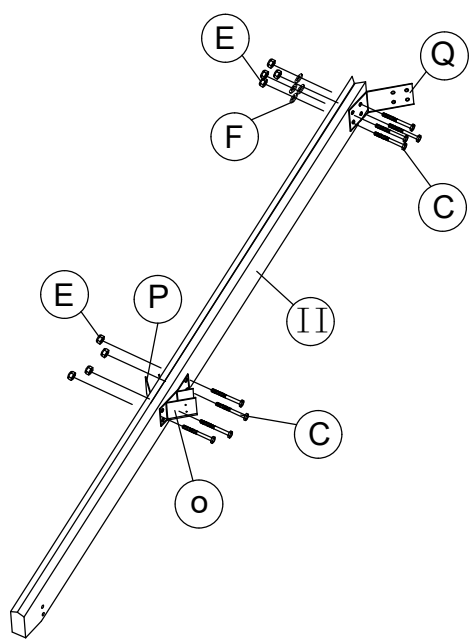


 <div style="text-align: center;"> <p>(S) 4x</p> <p>300*67mm</p> </div>	 <div style="text-align: center;"> <p>(R) 8x</p> <p>300*93mm</p> </div>	 <div style="text-align: center;"> <p>(E) 48x</p> <p>M8</p> </div>	 <div style="text-align: center;"> <p>(B) 48x</p> <p>M8*45mm</p> </div>
--	--	--	--

II X4

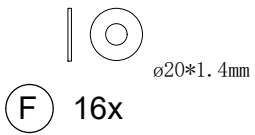
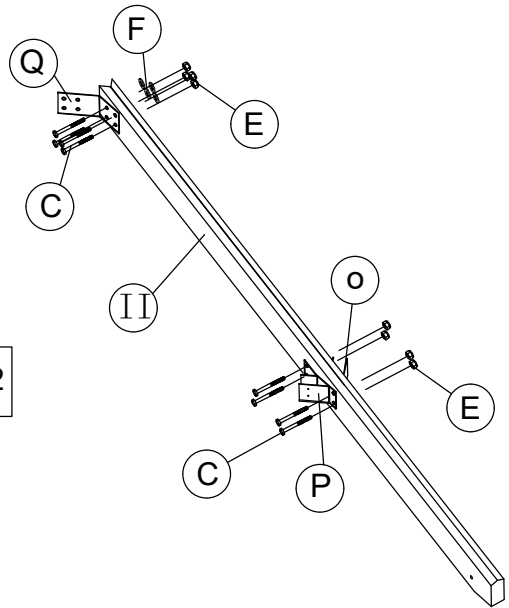


Step3

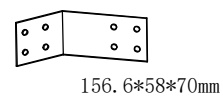


x2

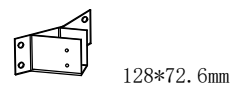
x2



F 16x

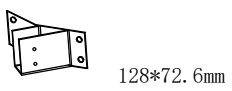


Q 4x



O 4x

128*72.6mm



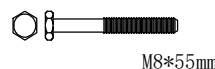
P 4x

128*72.6mm



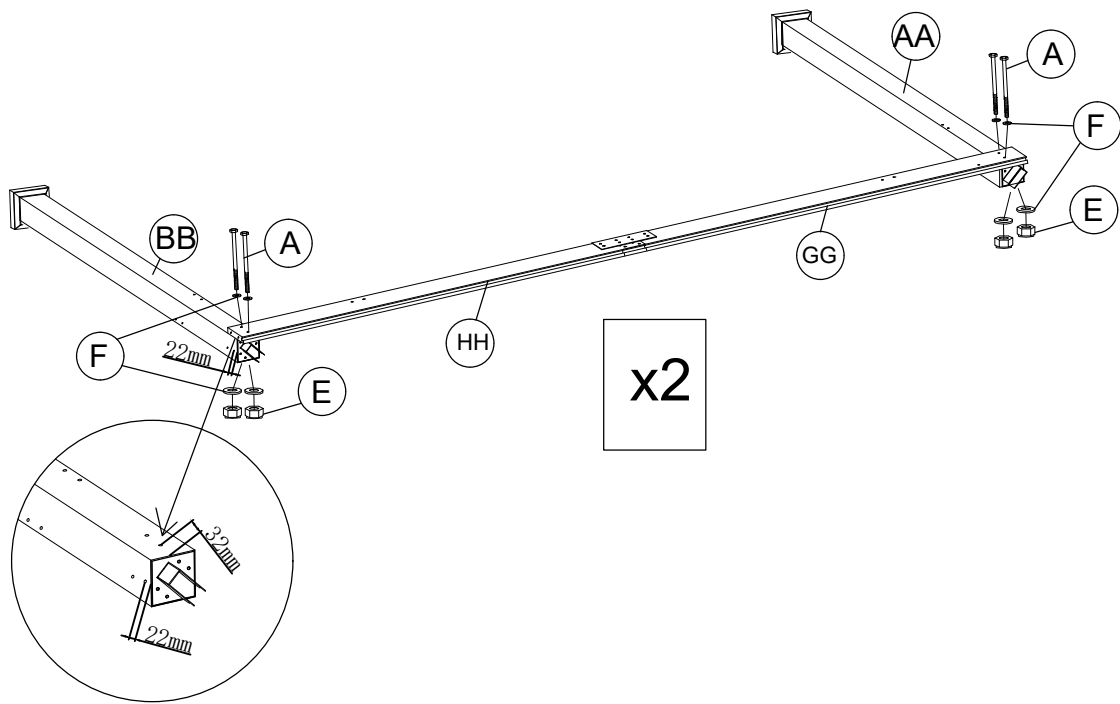
E 32x



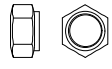
M8

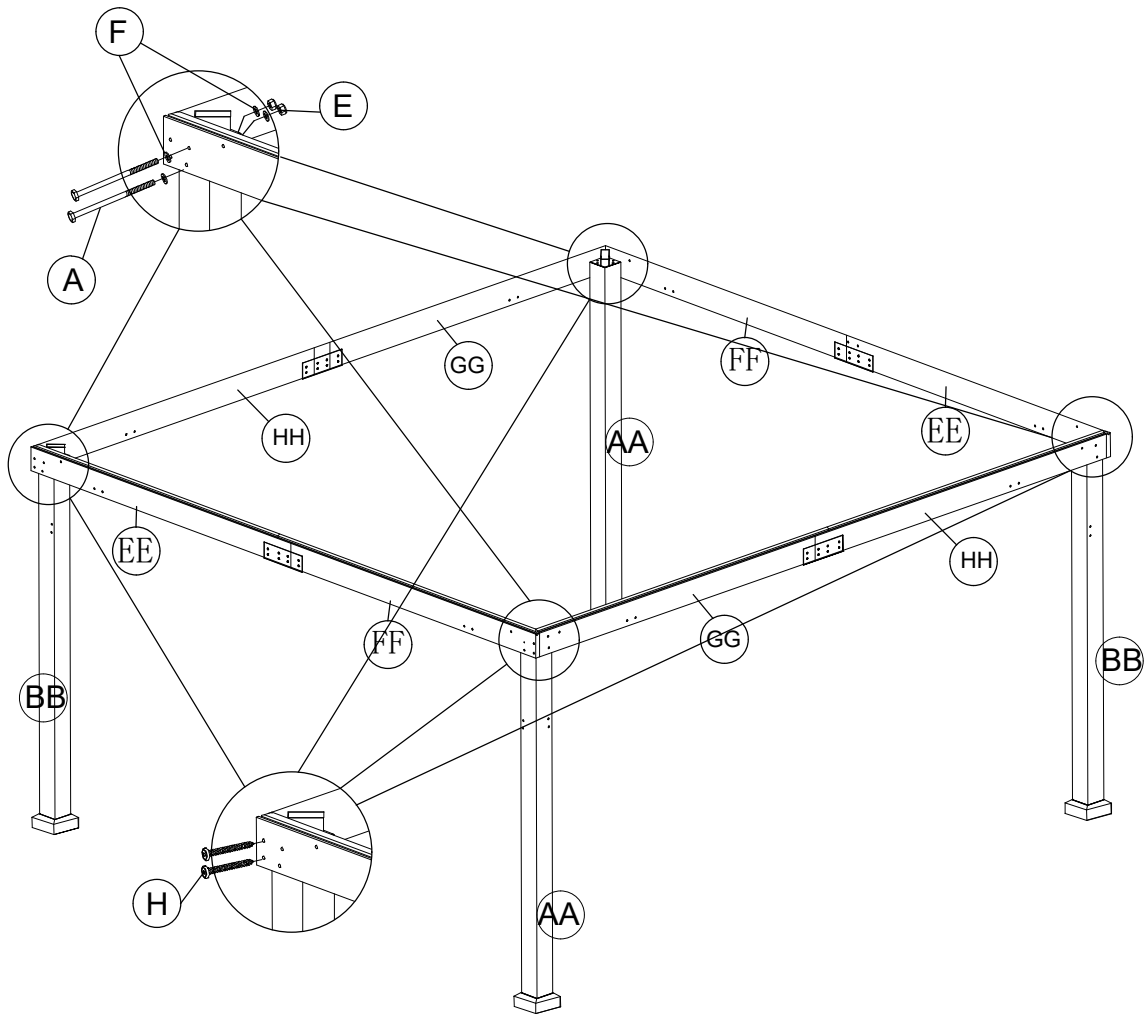


C 32x

M8*55mm



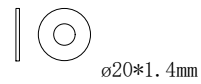
 (A) 8x M8*165mm	 (F) 16x $\varnothing 20 \times 1.4 \text{mm}$	 (E) 8x M8
---	--	---



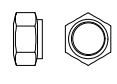
(H) 8x



(A) 8x



(F) 16x



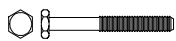
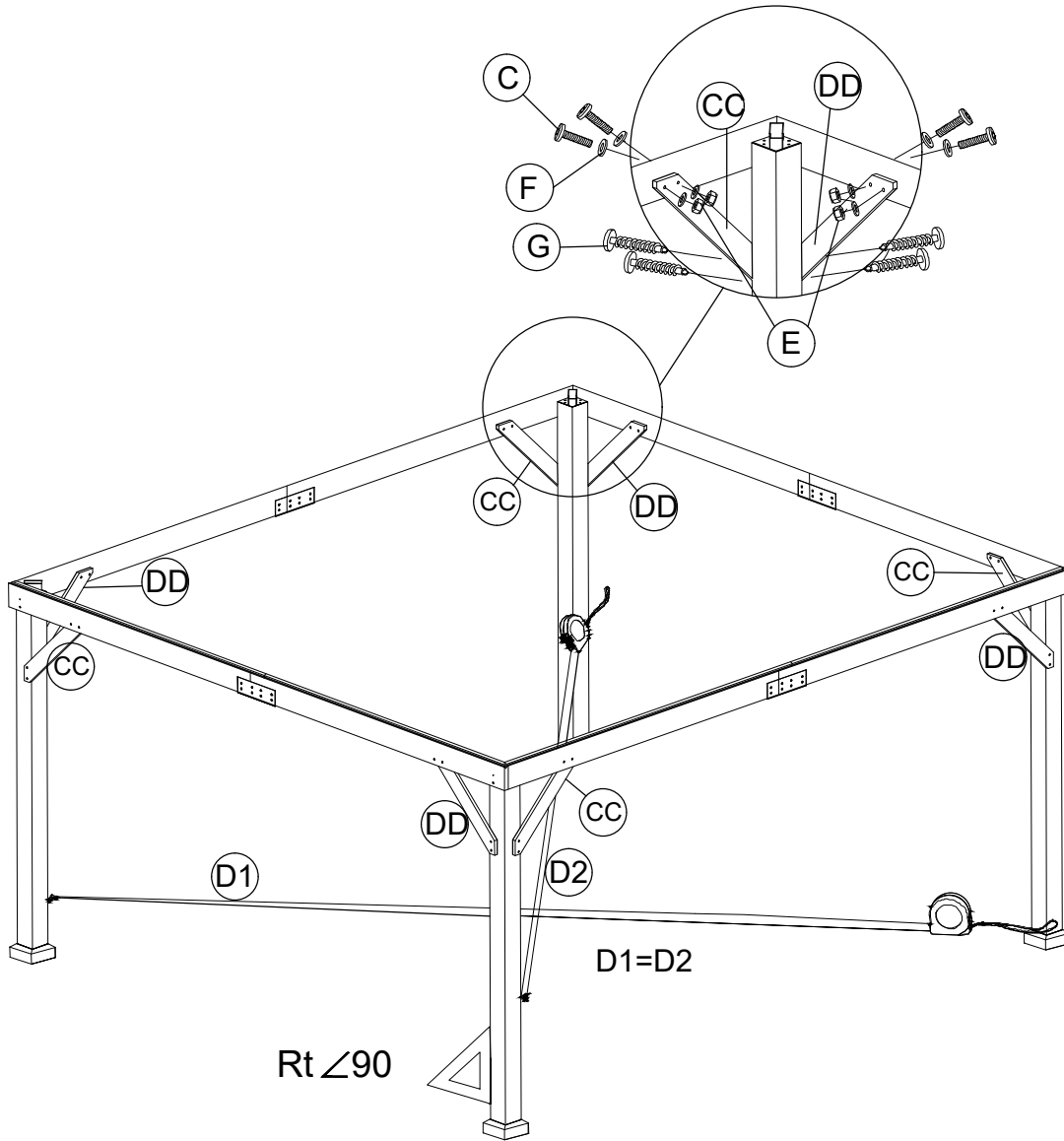
(E) 8x

DD X4

CC X4



Step6



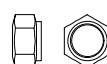
M8*55mm

C 16x



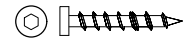
$\phi 20 * 1.4$ mm

F 32x



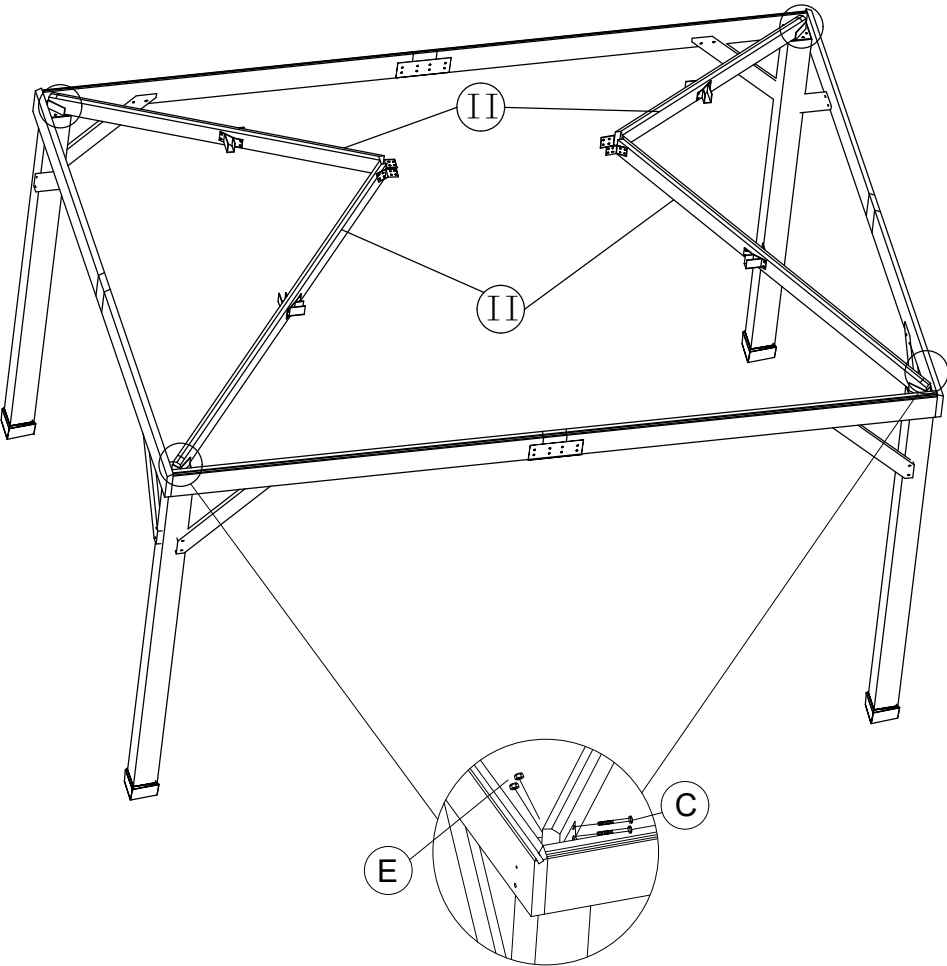
M8


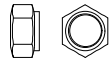
E 16x



M6*40mm

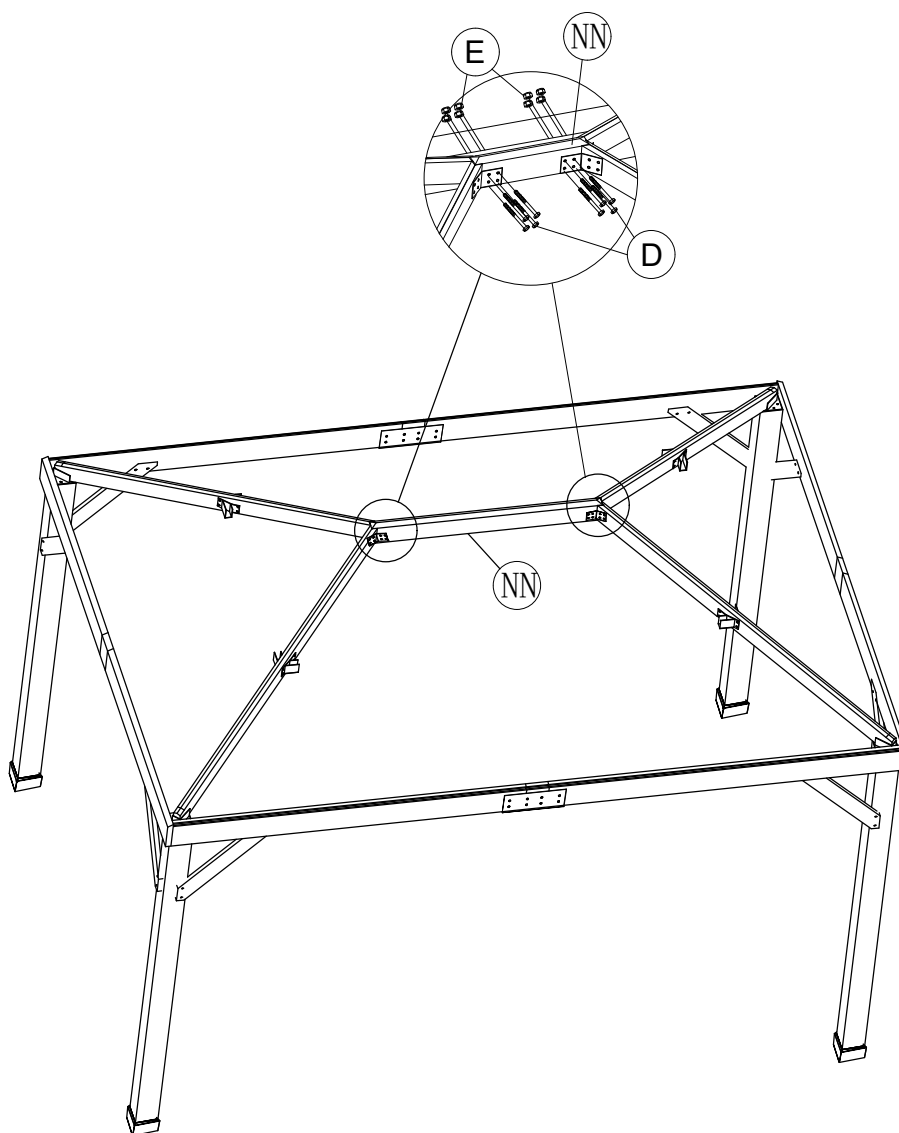
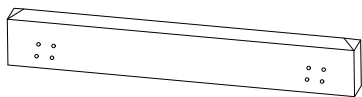
G 16x



 M8*55mm C 8x	 M8 E 8x
--	--

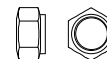
Step8

NN X1



M8*75mm

(D) 8x



M8

(E) 8x

JJ X2



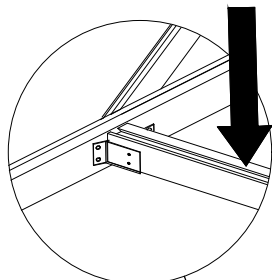
KK X2



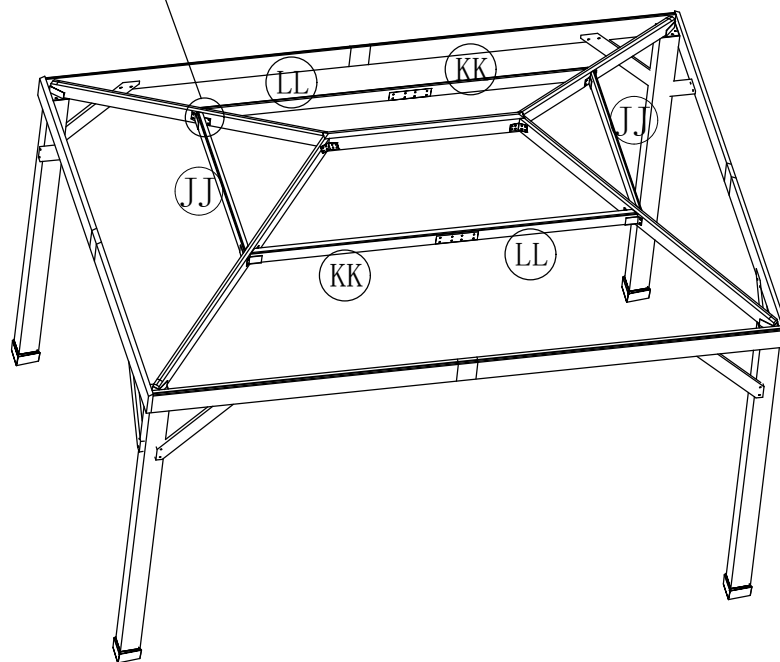
LL X2


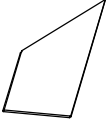
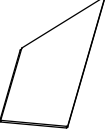
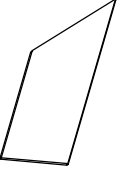
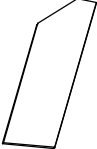
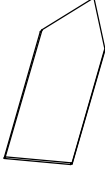
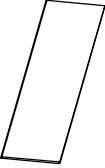
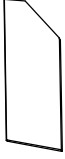

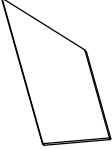




Step9

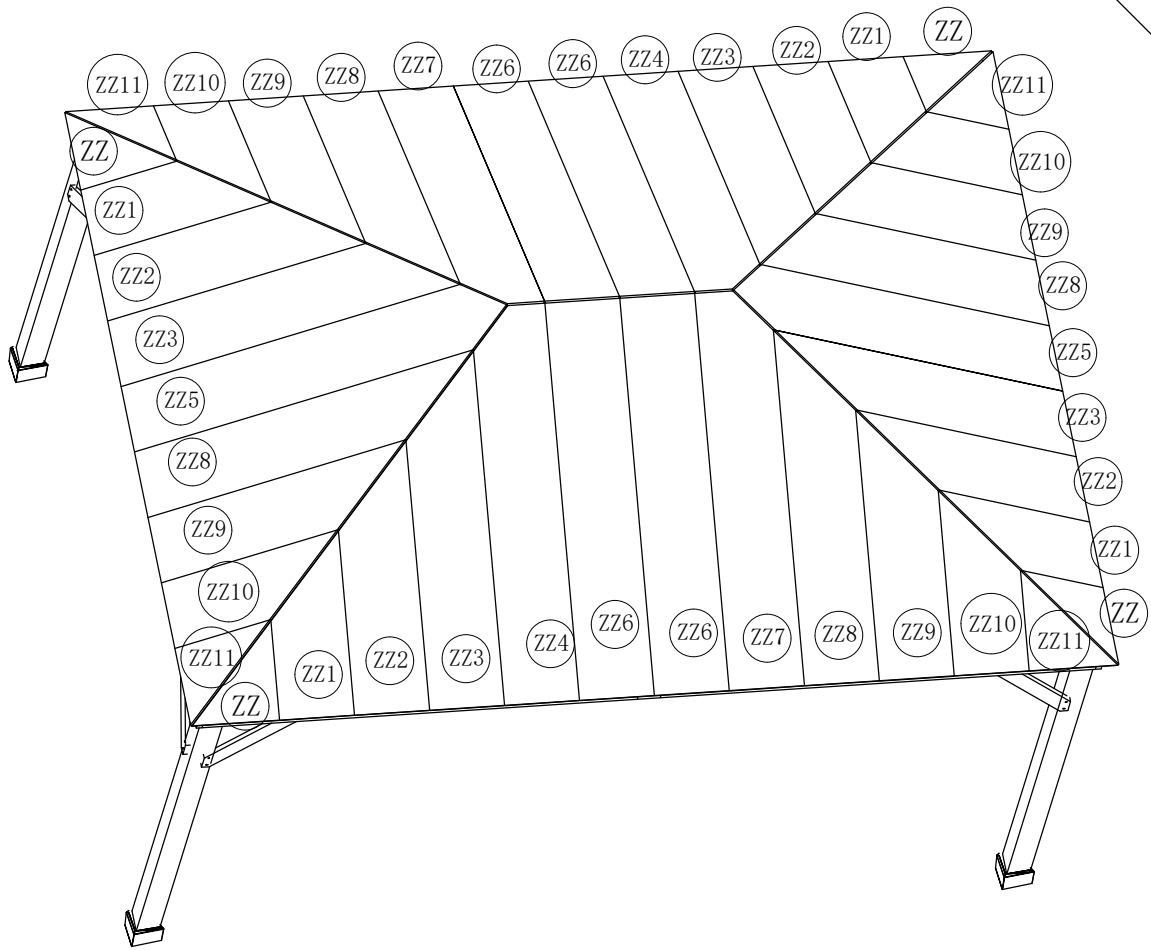



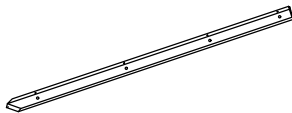
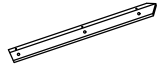
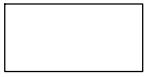
Put the middle cross beam in the iron groove

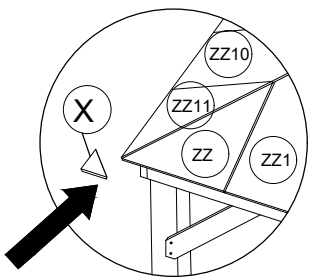


	ZZ x4		ZZ1 x4		ZZ2 x4
	ZZ3 x4		ZZ4 x2		ZZ5 x2
	ZZ6 x4		ZZ7 x2		ZZ8 x4
	ZZ9 x4		ZZ10 x4		ZZ11 x4

Step10

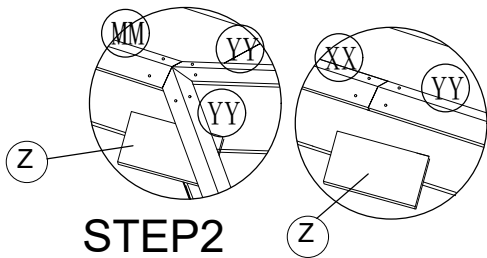


 <p>MM X1</p>	 <p>XX X4</p>	 <p>YY X4</p>
 <p>Z X6 200*100mm</p> <p>Asphalt tile</p>	<p>Step11</p>	



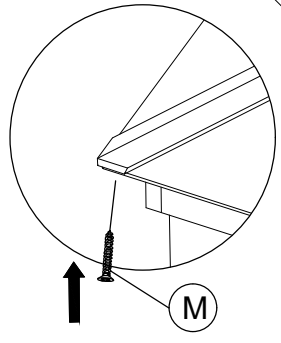
STEP1

Snap the corner protector X into the roof junction



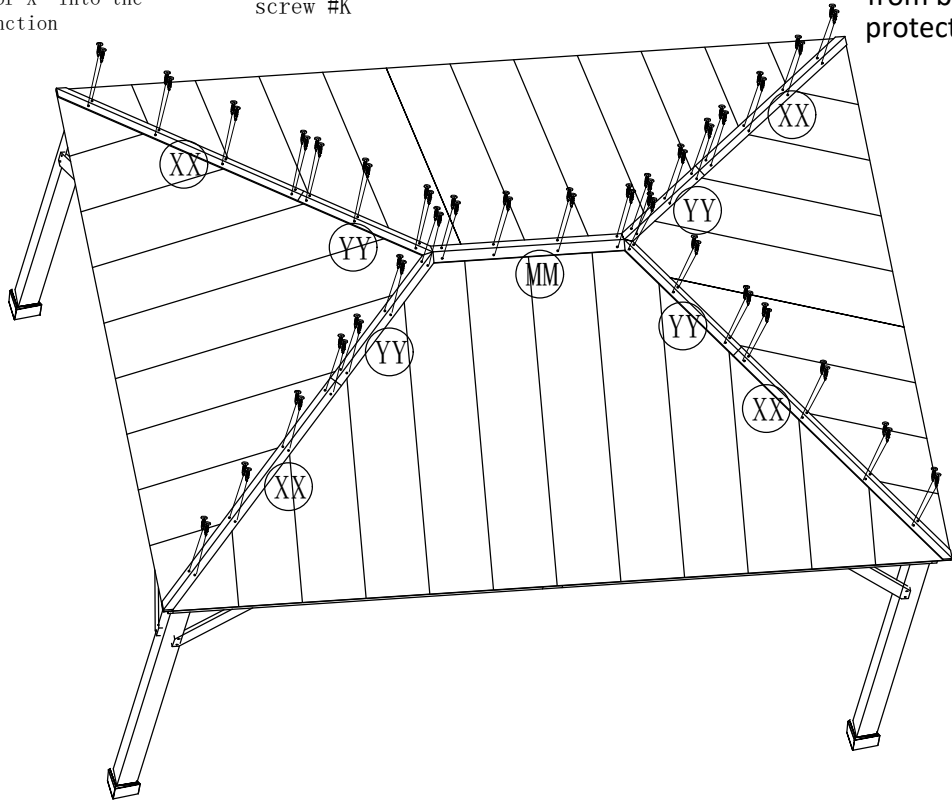
STEP2


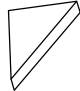
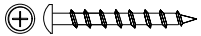
First put the asphalt shingles #Z under the three plate #MM, #XX and #YY, then put the other asphalt shingles under #XX and #YY, Fix the screw #K


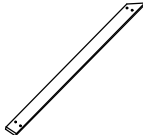
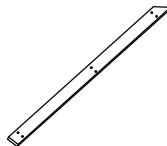
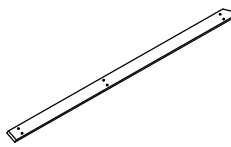
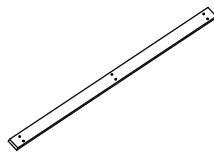
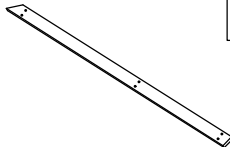
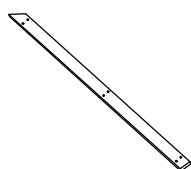
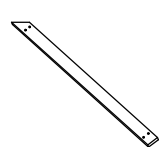



STEP3

Fix the screws #M from below protector #X

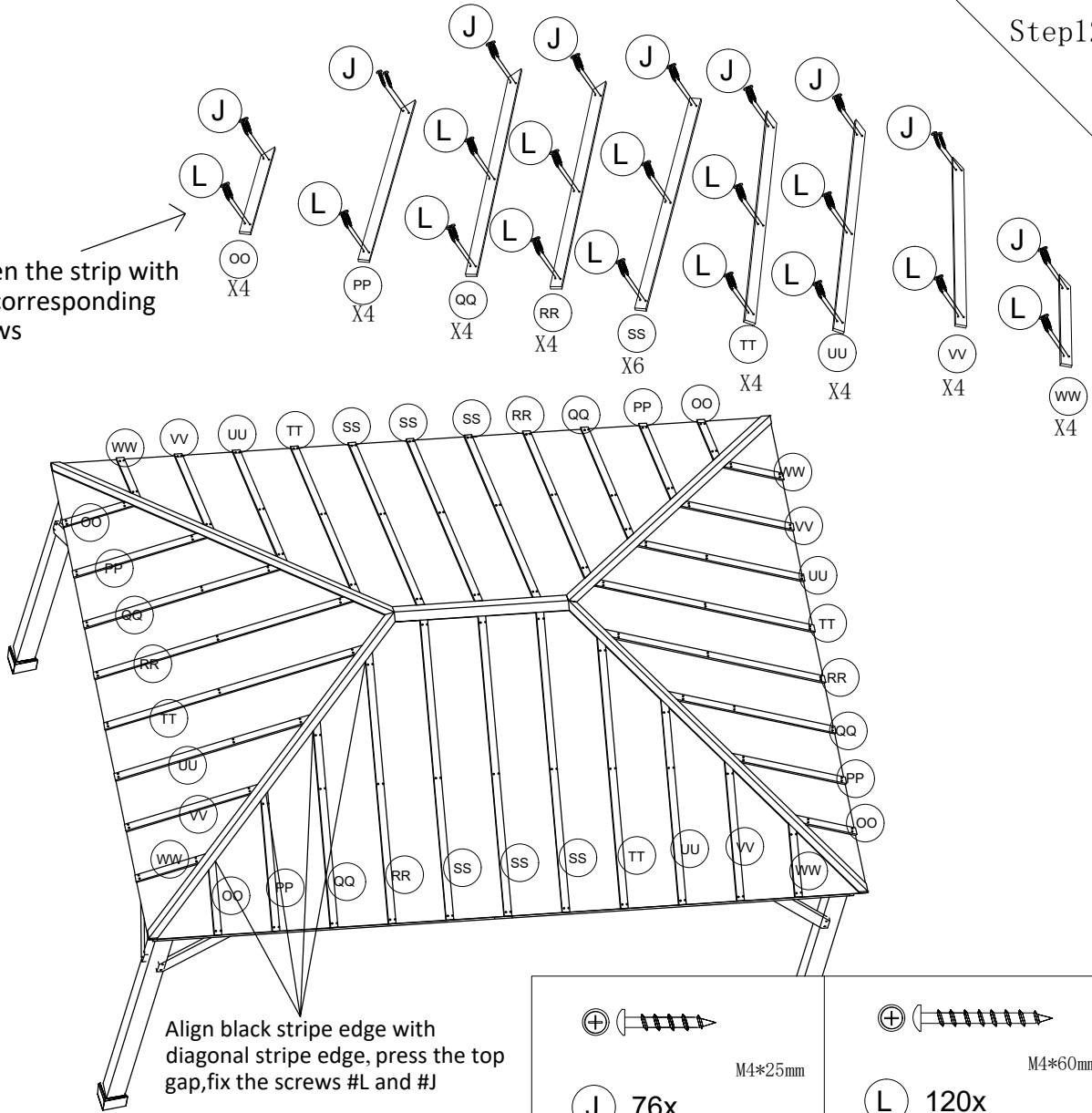


 <p>M 4x M5*30mm</p>	 <p>Corner protector X 4x 80*80*15mm</p>	 <p>K 64x M4*50mm</p>
---	---	--

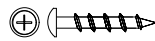
	OO X4		PP X4		QQ X4
	RR X4		SS X6		TT X4
	UU X4		VV X4		WW X4

Step12

Fasten the strip with the corresponding screws

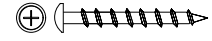


Align black stripe edge with diagonal stripe edge, press the top gap, fix the screws #L and #J



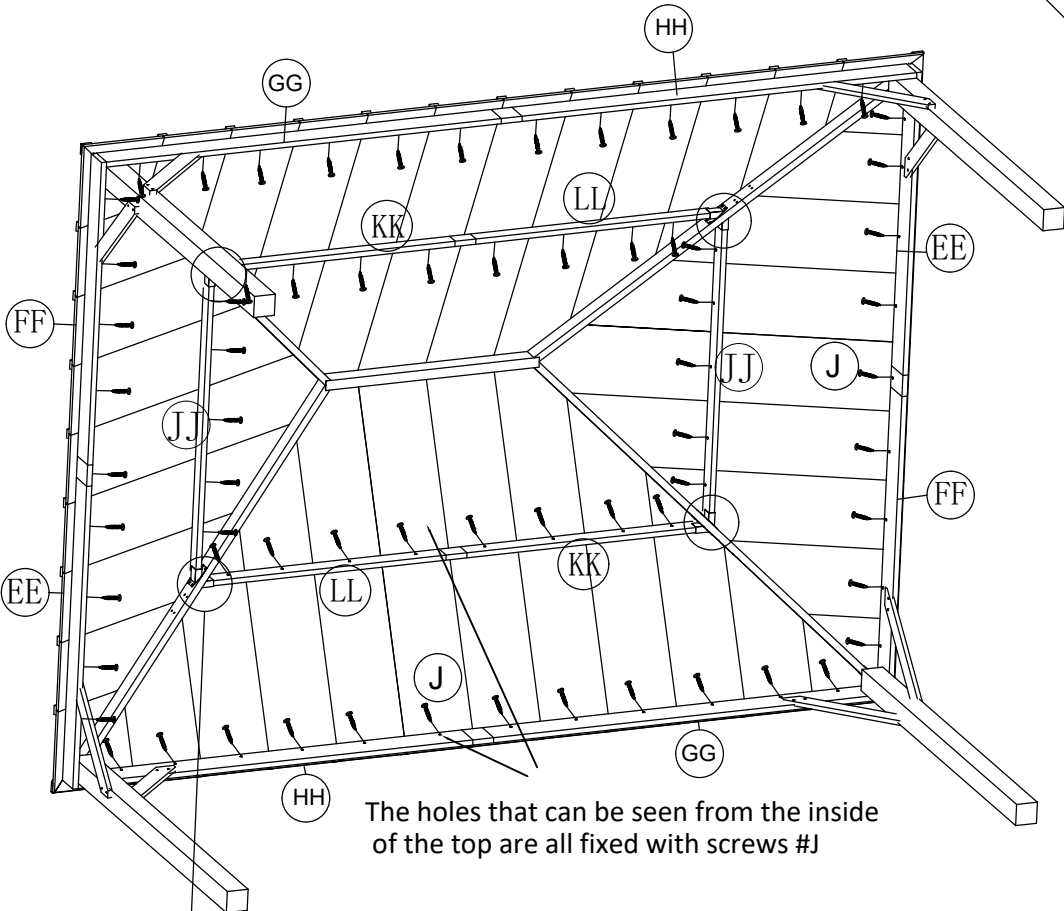
M4*25mm

J 76x



M4*60mm

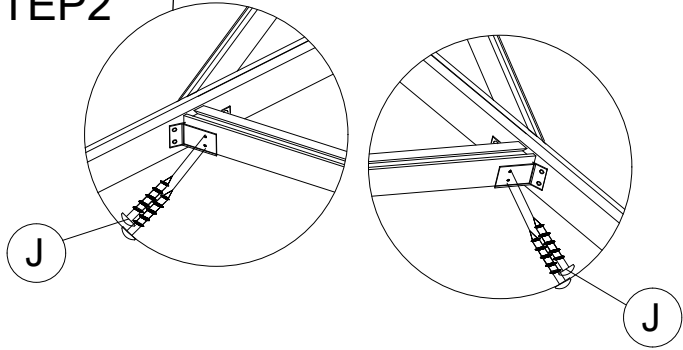
L 120x

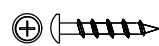


The holes that can be seen from the inside of the top are all fixed with screws #J


- Nail 9 screws #J on the two beams #EE and #FF, the total number is 18
- Nail 12 screws #J on the two beams #HH and #GG, the total number is 24
- Nail 5 screws #J on the two beams #JJ, the total number is 10
- Nail 8 screws #J on the two beams #KK and #LL, the total number is 16


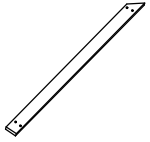
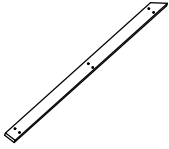
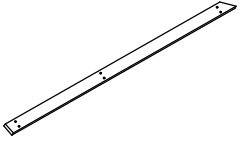
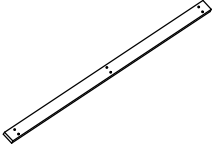
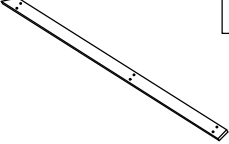
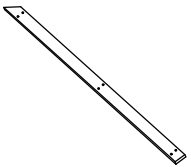
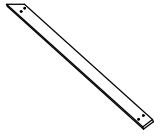

STEP2



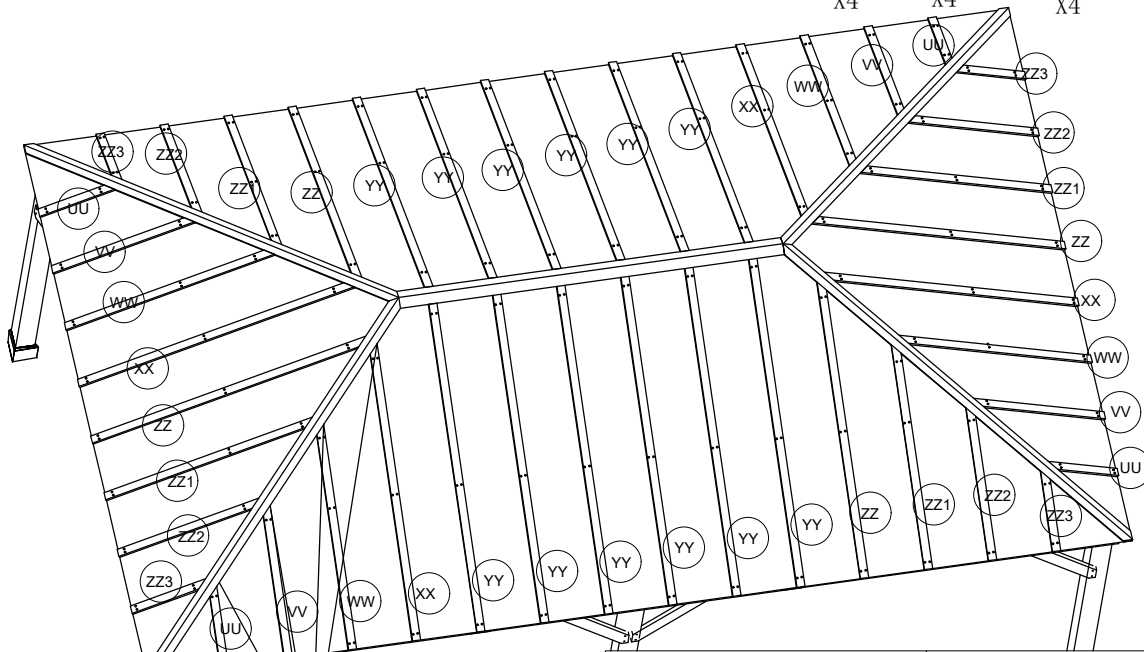
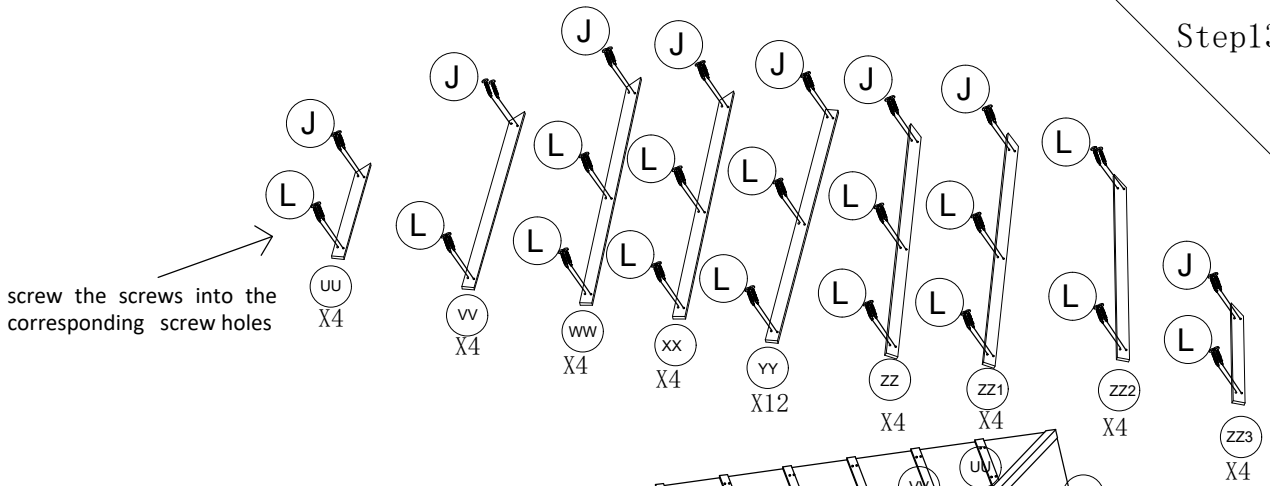


 M4*25mm

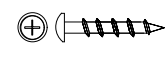

 84x

	UU X4		VV X4		WW X4
	XX X4		YY X12		ZZ X4
	ZZ1 X4		ZZ2 X4		ZZ3 X4

Step13

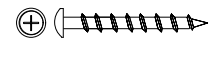


Align the black stripe edge with the diagonal stripe edge, press the top gap, then screw L and J



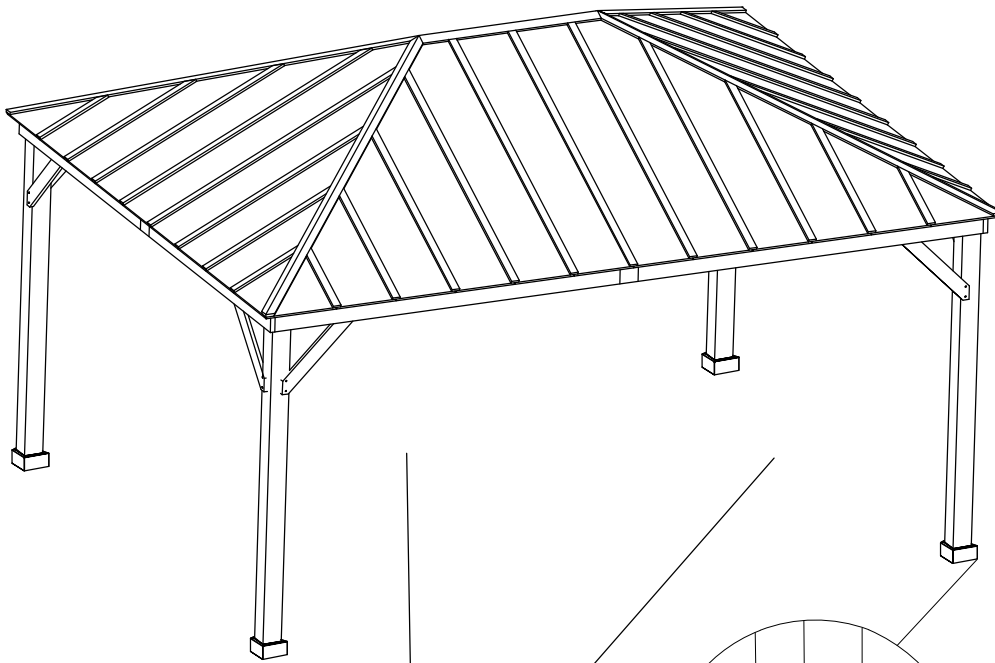
M4*25mm

J 88x





M4*60mm

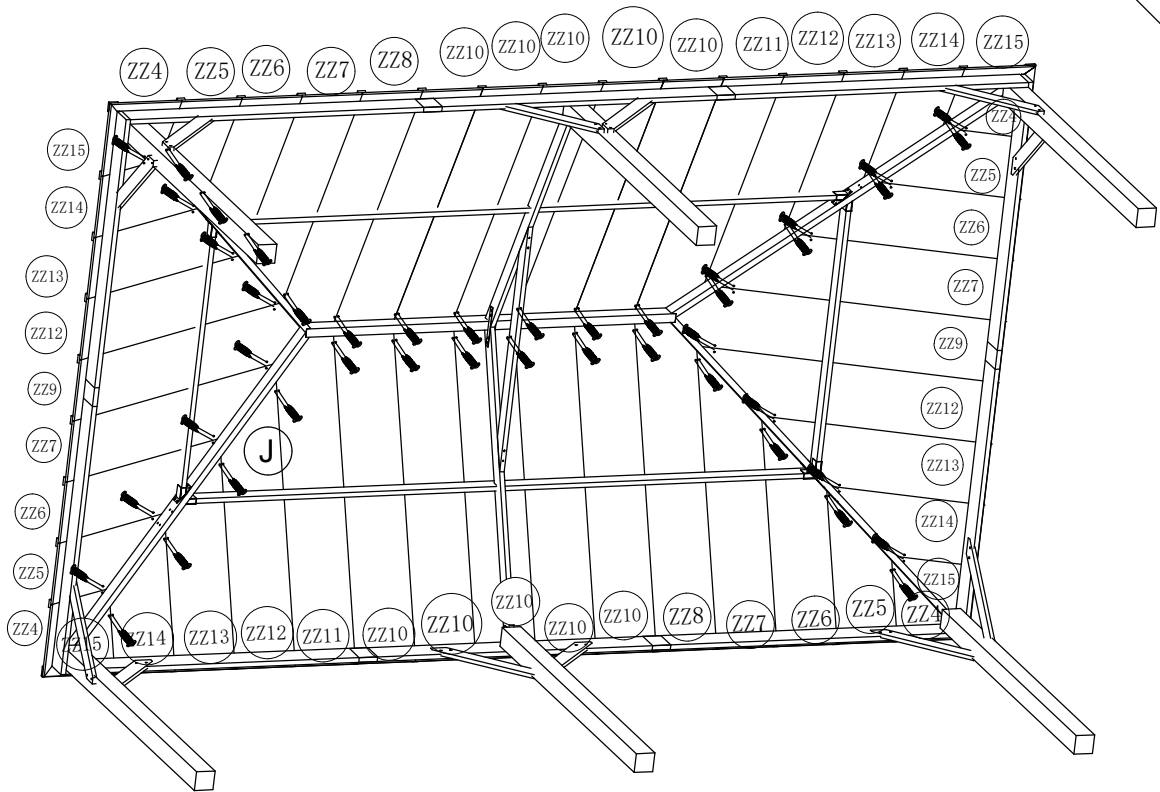
L 144x



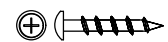
#W hooks can be freely assembled under the wooden beam

*You can choose where to mount the hooks according to your needs, but be careful when screwing the hooks into the wood or you may crack the wood slightly

 M6*89mm W 4x	 ø8*180mm V 8x
---	--



- Screw #J on the 4 top plates #ZZ4, the total number is 4
- Screw #J on the 4 top plates #ZZ5, the total number is 8
- Screw #J on the 4 top plates #ZZ6, the total number is 8
- Screw #J on the 4 top plates #ZZ7, the total number is 8
- Screw #J on the 2 top plates #ZZ8, the total number is 4
- Screw #J on the 2 top plates #ZZ9, the total number is 4
- Screw #J on the 10 top plates #ZZ10, the total number is 20
- Screw #J on the 2 top plates #ZZ11, the total number is 4
- Screw #J on the 4 top plates #ZZ12, the total number is 8
- Screw #J on the 4 top plates #ZZ13, the total number is 8
- Screw #J on the 4 top plates #ZZ14, the total number is 8
- Screw #J on the 4 top plates #ZZ15, the total number is 4



M4*25mm

