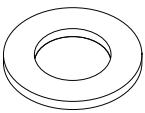
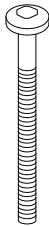
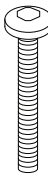
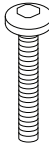
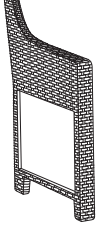
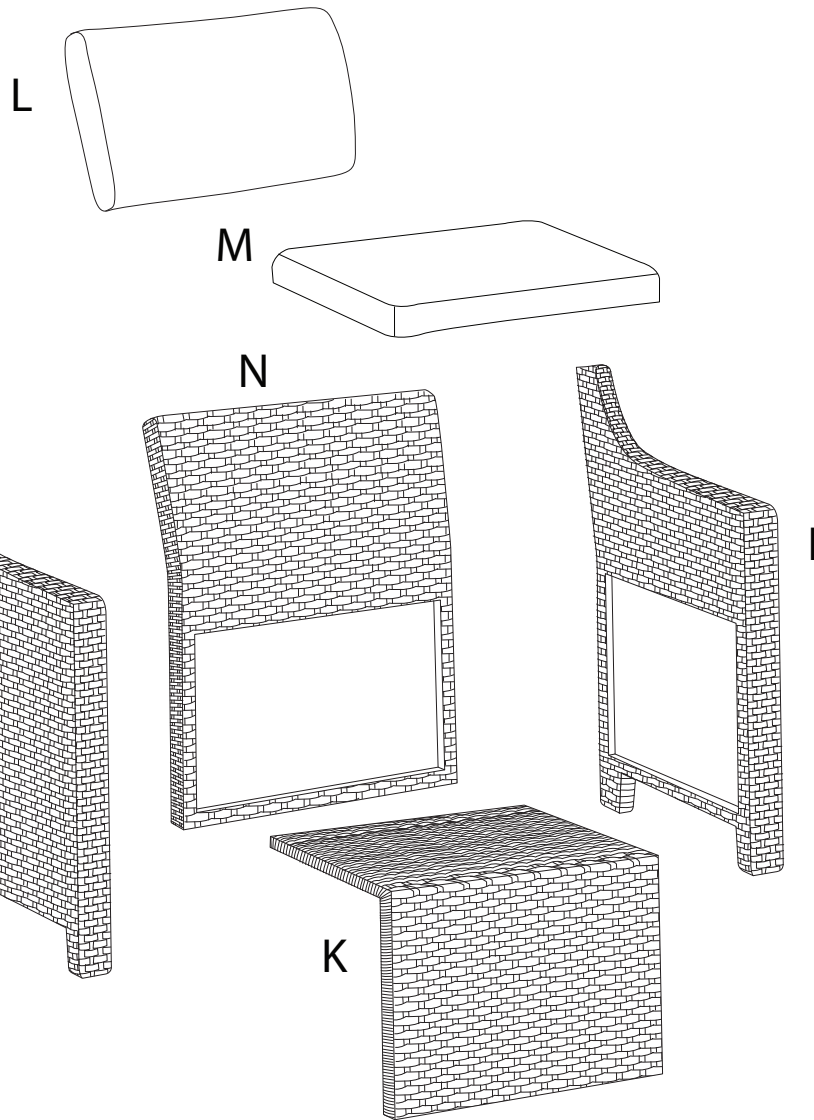


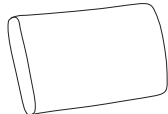

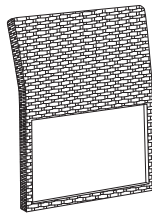



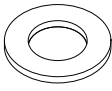
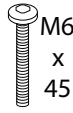
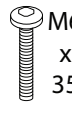




# A x 2

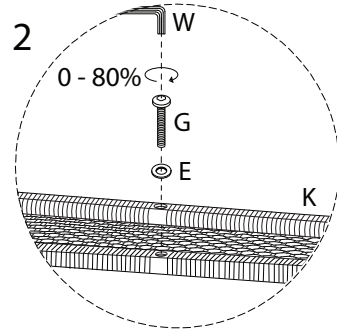
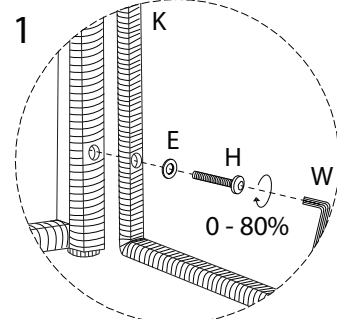
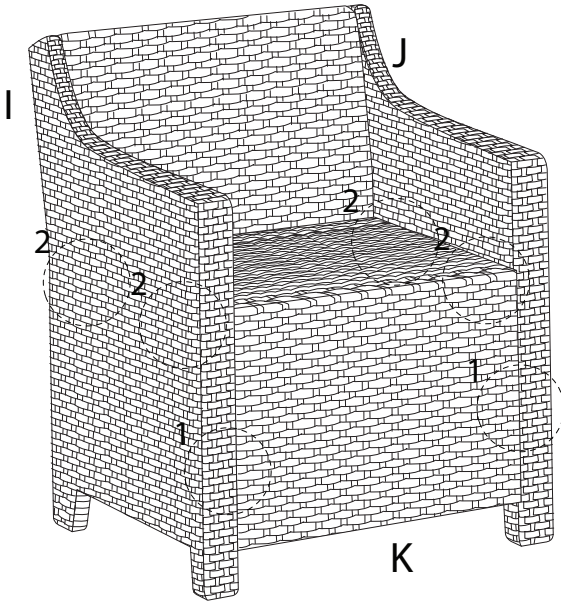
<b>E</b>  x 11	<b>F</b>  M6 x 55 x 2	<b>G</b>  M6 x 45 x 5	<b>H</b>  M6 x 35 x 4	<b>I</b>  x 1
-------------------------------------------------------------------------------------------------------	-----------------------------------------------------------------------------------------------------------------------	-----------------------------------------------------------------------------------------------------------------------	-------------------------------------------------------------------------------------------------------------------------	--------------------------------------------------------------------------------------------------------



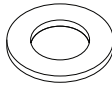

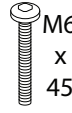


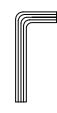
<b>J</b>  x 1	<b>K</b>  x 1	<b>L</b>  x 1	<b>M</b>  x 1	<b>N</b>  x 1	<b>W</b>  x 1
--------------------------------------------------------------------------------------------------------	--------------------------------------------------------------------------------------------------------	--------------------------------------------------------------------------------------------------------	--------------------------------------------------------------------------------------------------------	----------------------------------------------------------------------------------------------------------	----------------------------------------------------------------------------------------------------------

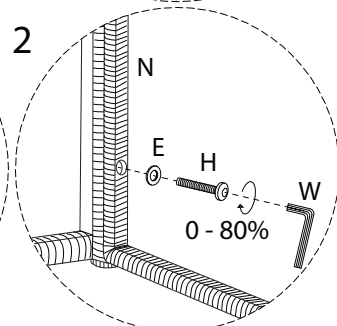
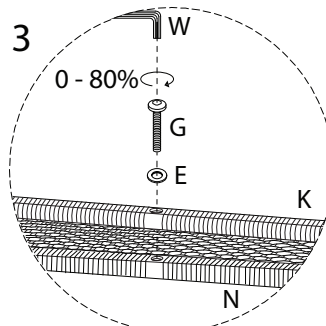
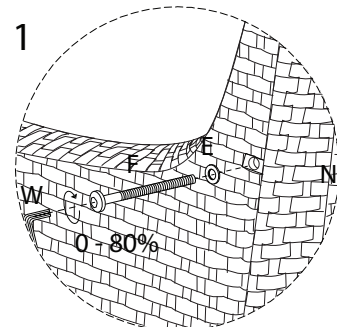
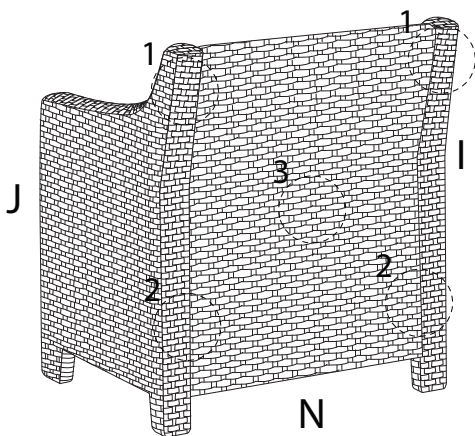
1

<b>E</b>  x 6	<b>G</b>  M6 x 45 x 4	<b>H</b>  M6 x 35 x 2	<b>I</b>  x 1	<b>J</b>  x 1	<b>K</b>  x 1	<b>W</b>  x 1
------------------------------------------------------------------------------------------------------	--------------------------------------------------------------------------------------------------------------------	--------------------------------------------------------------------------------------------------------------------	------------------------------------------------------------------------------------------------------	--------------------------------------------------------------------------------------------------------	--------------------------------------------------------------------------------------------------------	--------------------------------------------------------------------------------------------------------

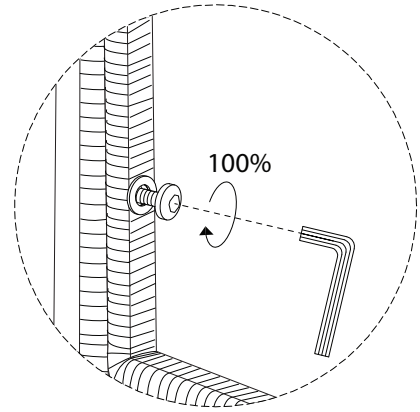
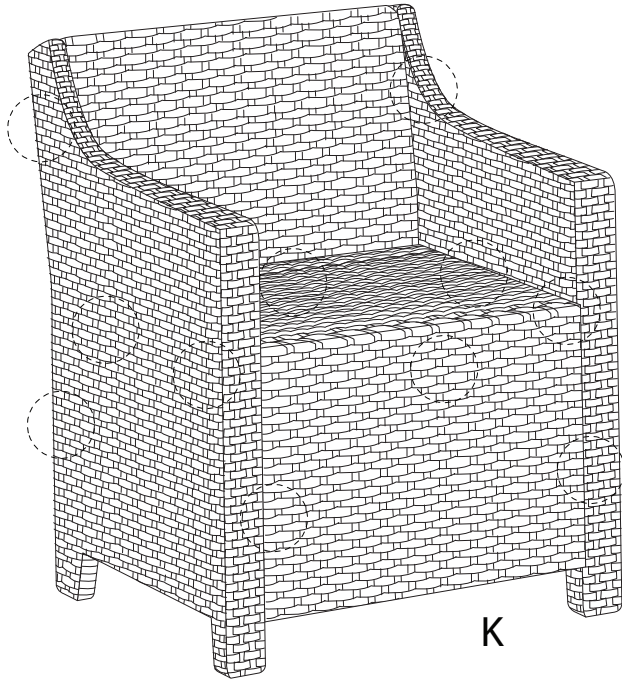


2

<b>E</b>  x 5	<b>F</b>  M6 x 55 x 2	<b>G</b>  M6 x 45 x 1	<b>H</b>  M6 x 35 x 2	<b>N</b>  x 1	<b>W</b>  x 1
--------------------------------------------------------------------------------------------------------	----------------------------------------------------------------------------------------------------------------------	----------------------------------------------------------------------------------------------------------------------	-----------------------------------------------------------------------------------------------------------------------	----------------------------------------------------------------------------------------------------------	----------------------------------------------------------------------------------------------------------

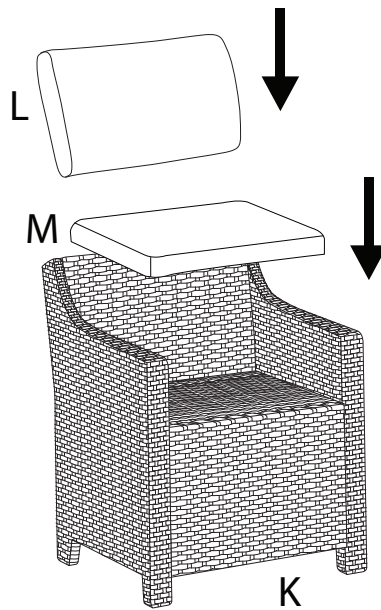
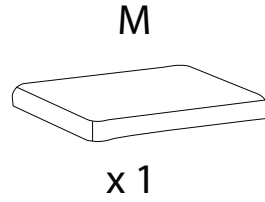
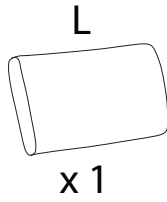


3



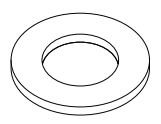
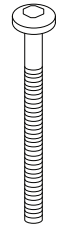
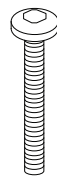
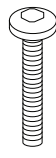

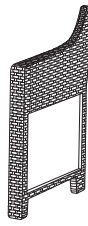
K

4

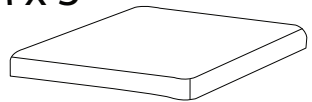


K

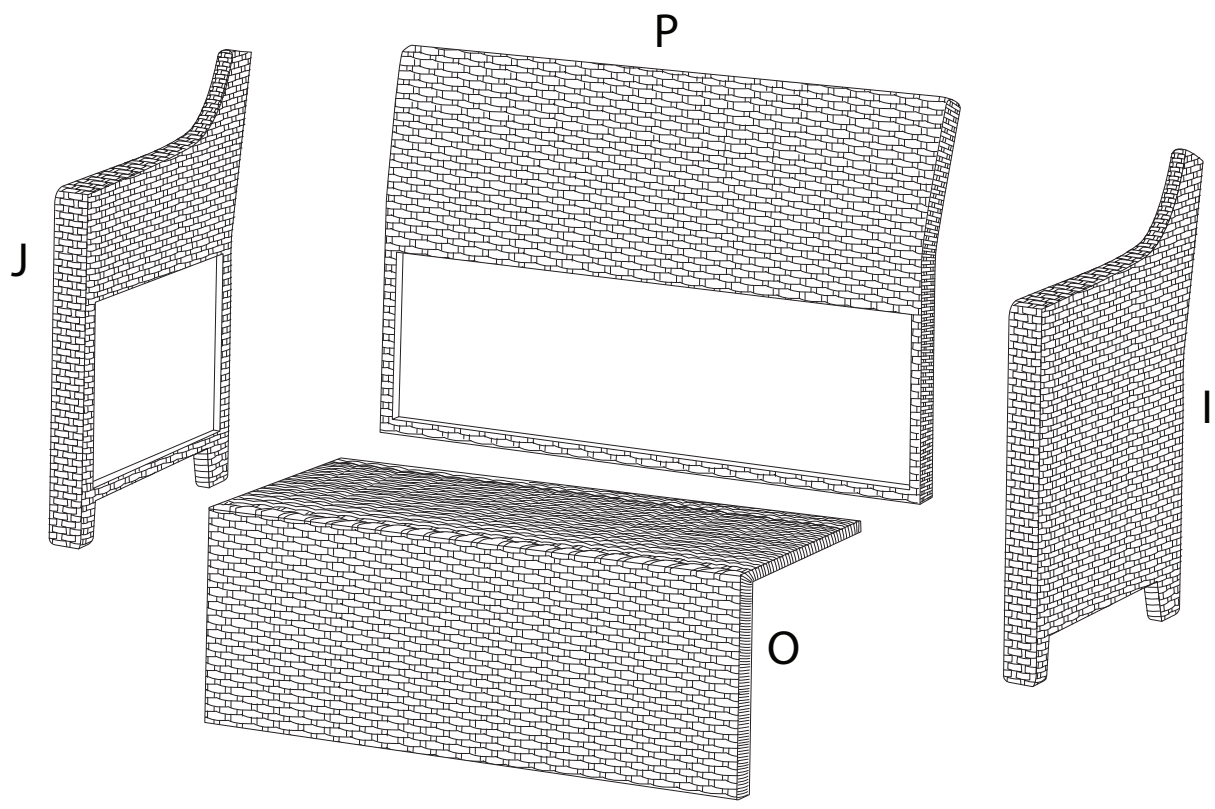
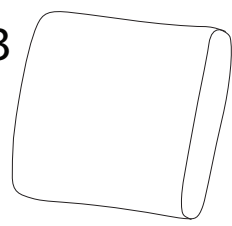
# B

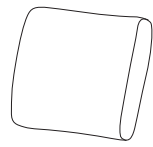

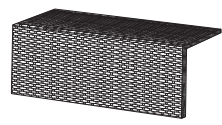
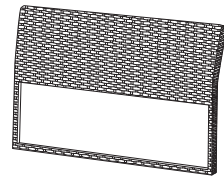
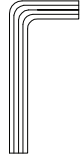
<p>E</p>  <p>x 15</p>	<p>F</p>  <p>M6 x 55</p> <p>x 2</p>	<p>G</p>  <p>M6 x 45</p> <p>x 7</p>	<p>H</p>  <p>M6 x 35</p> <p>x 6</p>	<p>I</p>  <p>x 1</p>	<p>J</p>  <p>x 1</p>
--------------------------------------------------------------------------------------------------------	------------------------------------------------------------------------------------------------------------------------------	------------------------------------------------------------------------------------------------------------------------------	------------------------------------------------------------------------------------------------------------------------------	---------------------------------------------------------------------------------------------------------	---------------------------------------------------------------------------------------------------------

M x 3

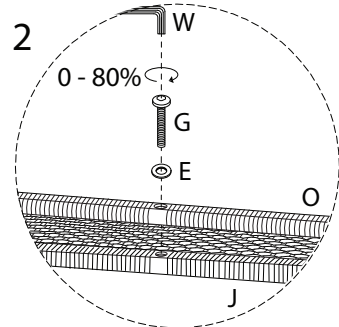
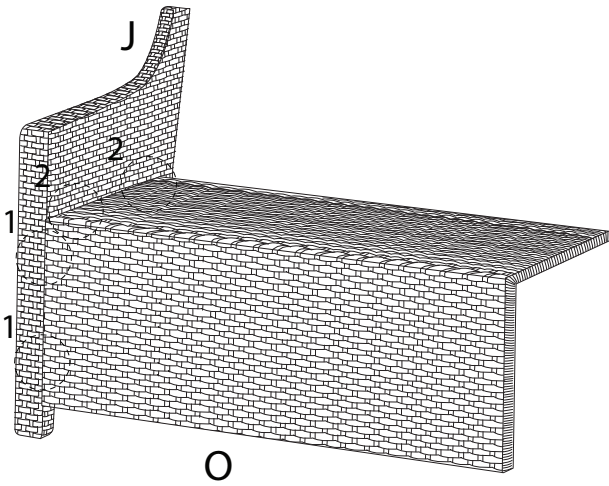
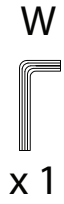
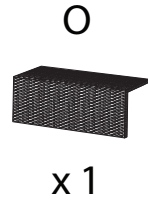
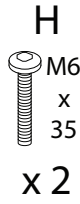
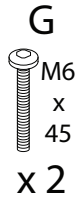
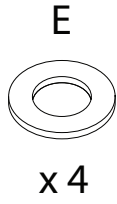


L x 3

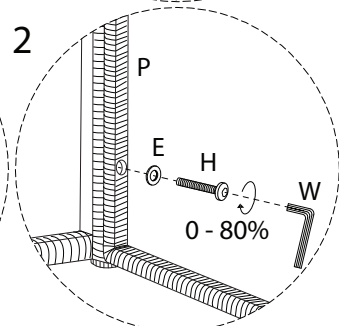
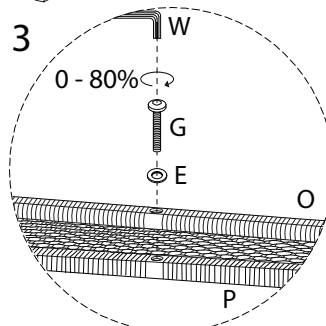
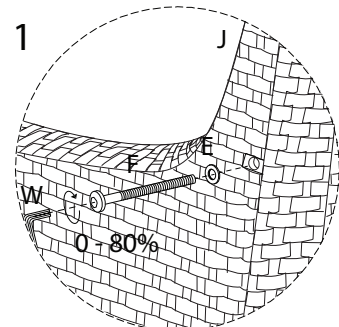
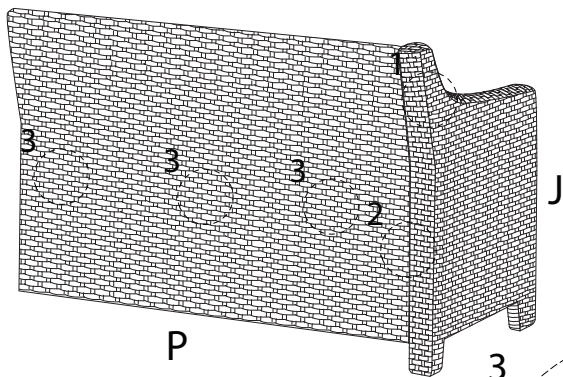
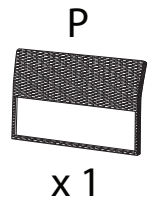
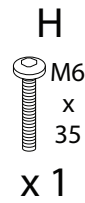
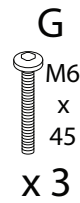
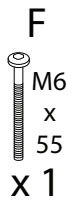
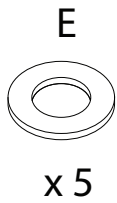


<p>L</p>  <p>x 3</p>	<p>M</p>  <p>x 3</p>	<p>O</p>  <p>x 1</p>	<p>P</p>  <p>x 1</p>	<p>W</p>  <p>x 1</p>
---------------------------------------------------------------------------------------------------------	---------------------------------------------------------------------------------------------------------	---------------------------------------------------------------------------------------------------------	----------------------------------------------------------------------------------------------------------	-----------------------------------------------------------------------------------------------------------

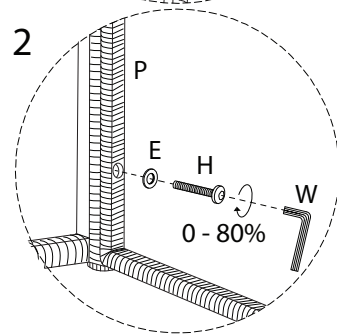
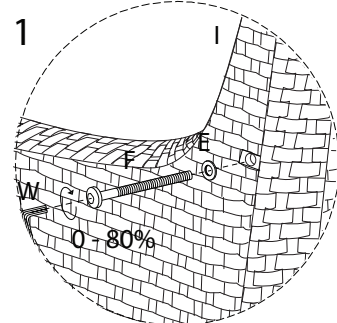
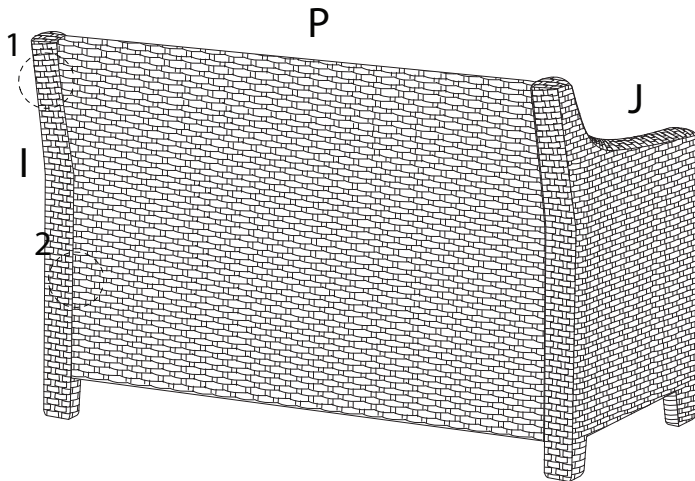
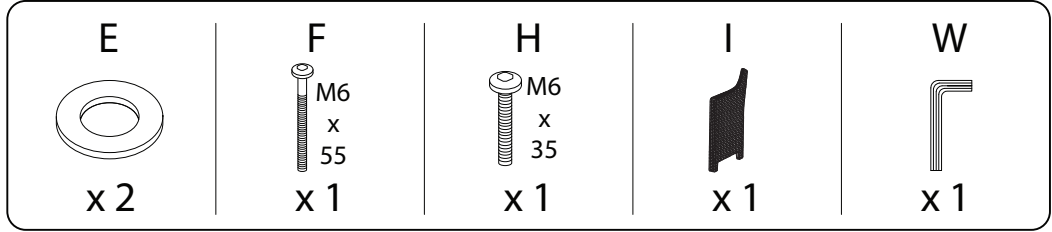
1



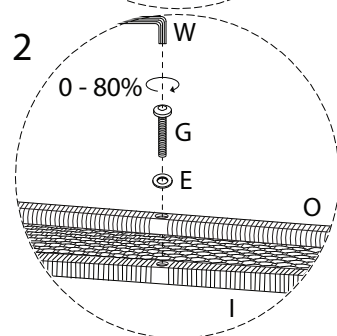
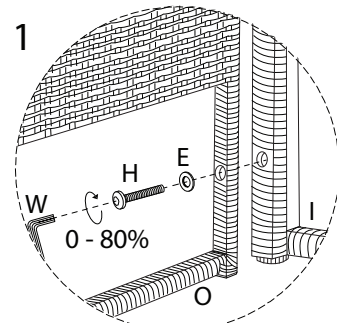
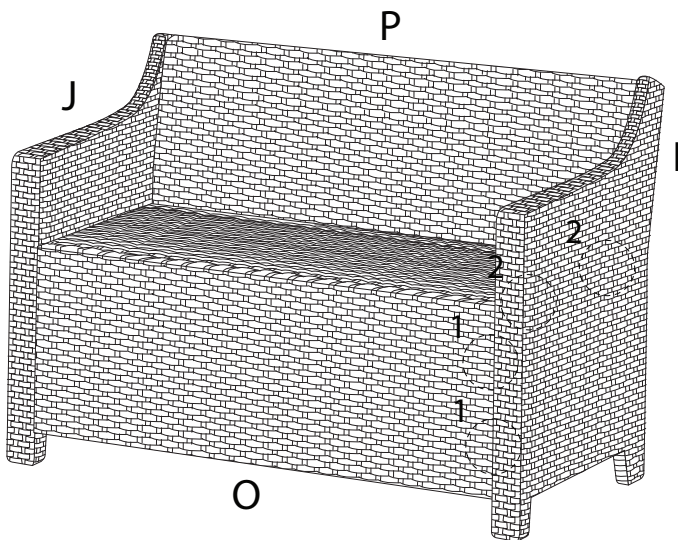
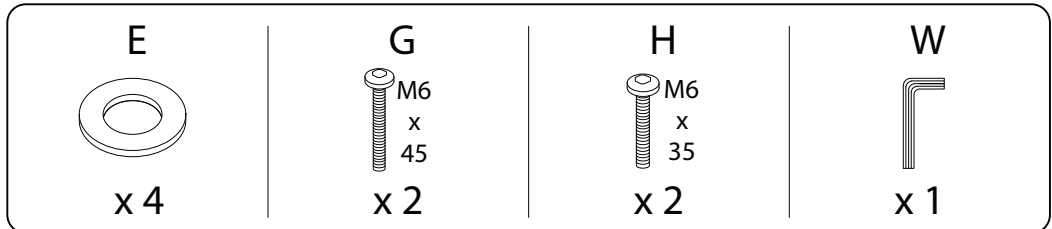
2



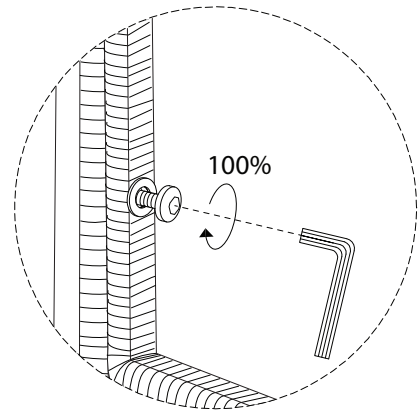
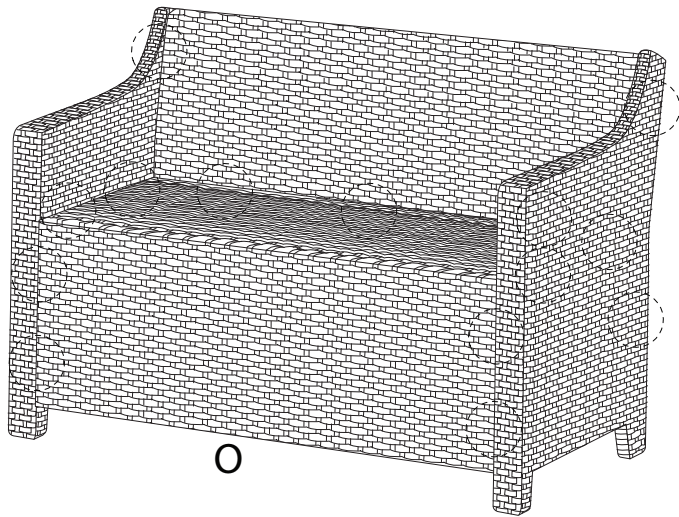
3



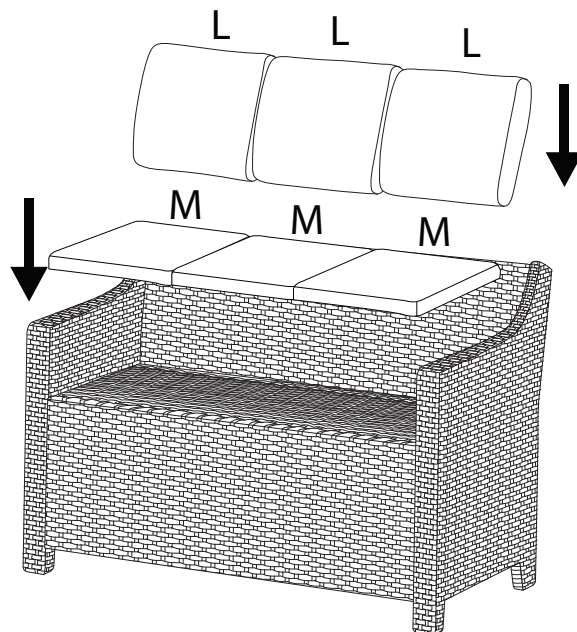
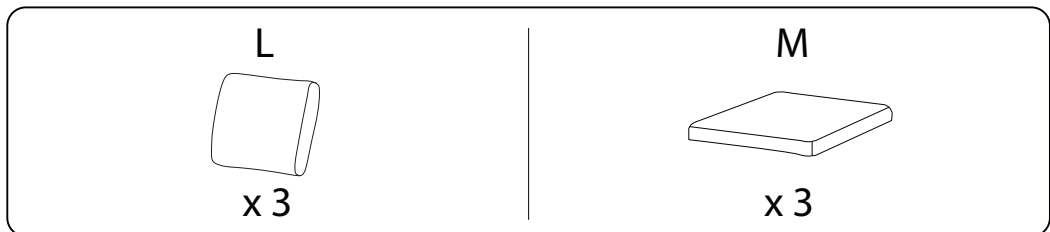
4



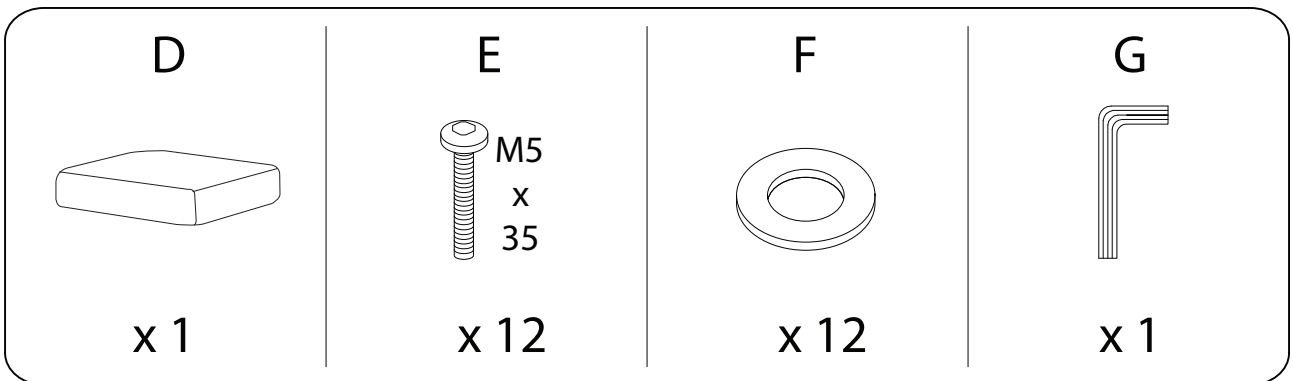
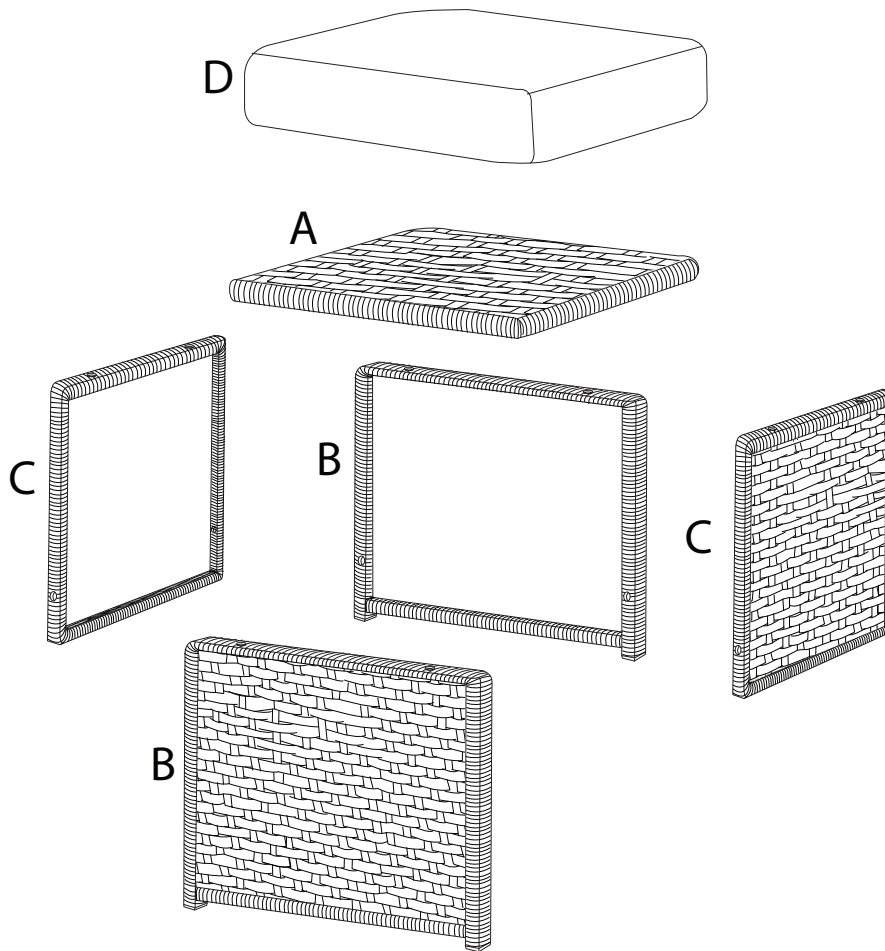
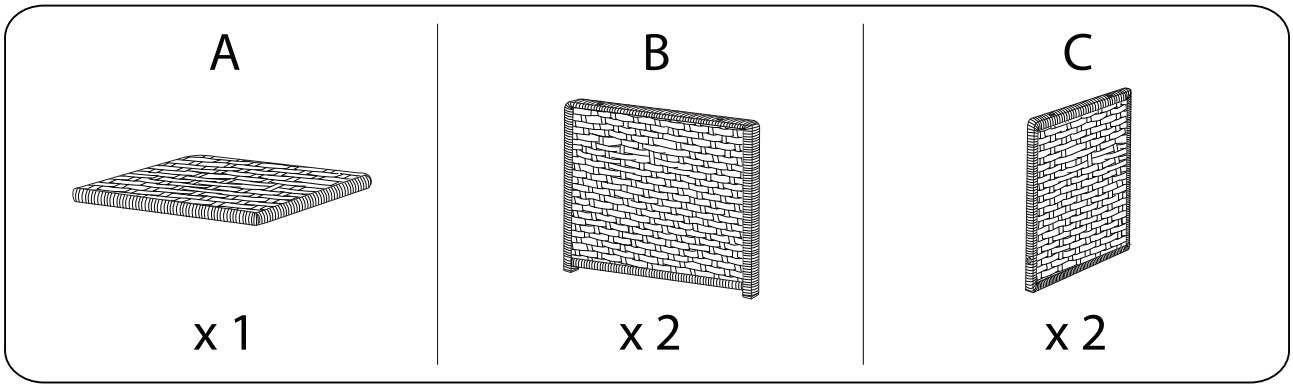
5



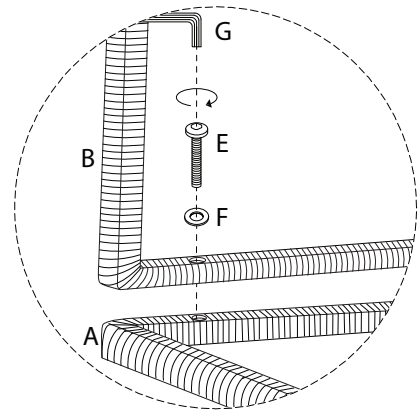
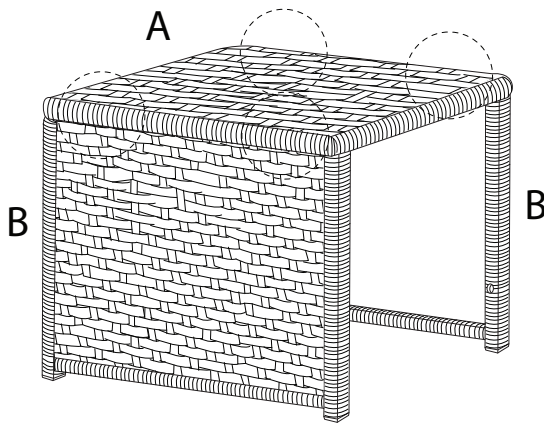
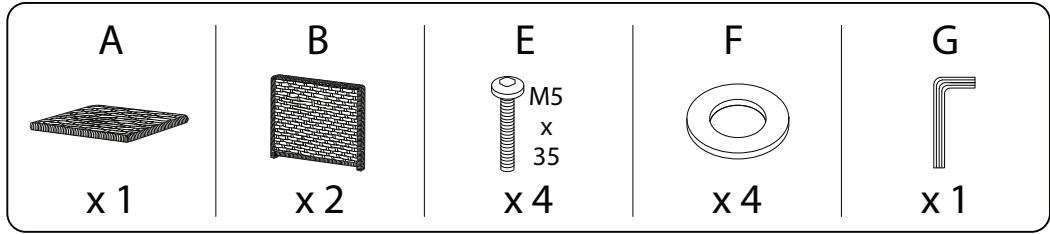
6



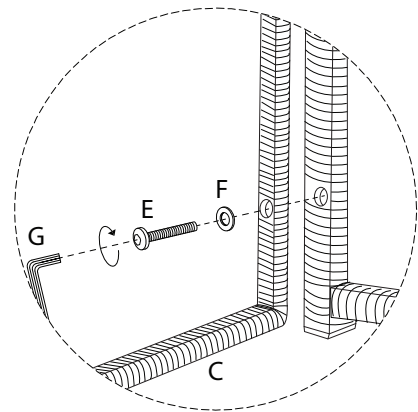
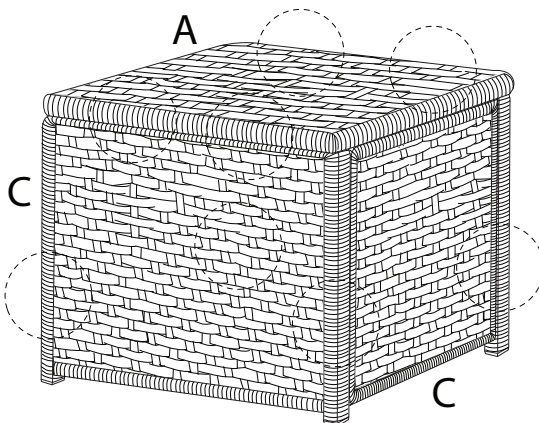
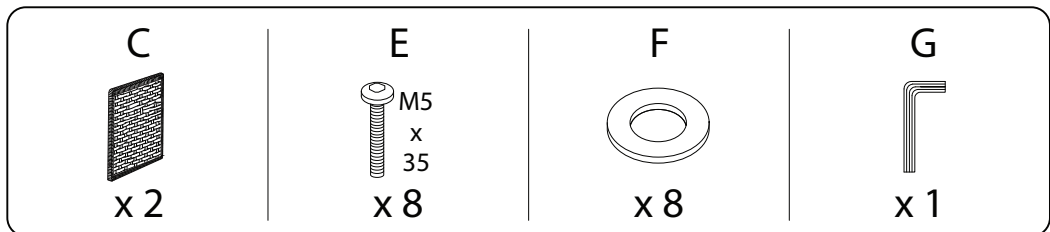
# C x 2



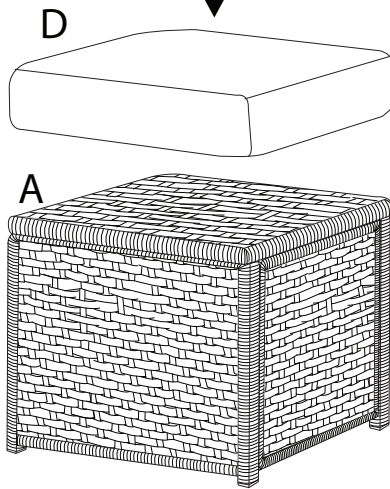
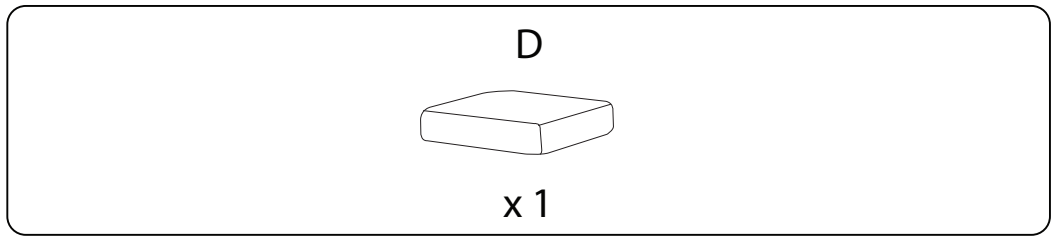
1



2



3



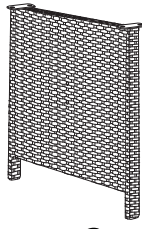
D

A



x 1

B



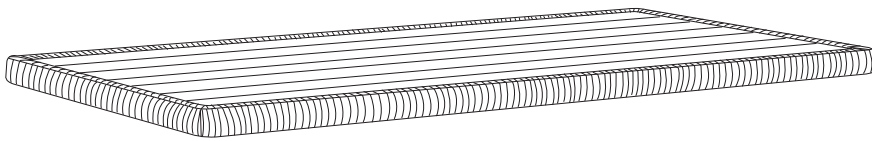
x 2

C



x 1

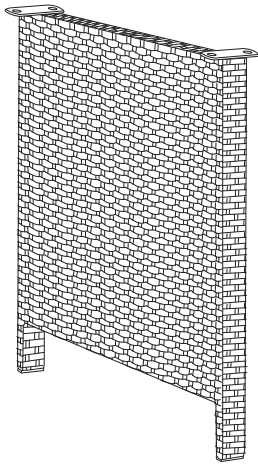
A



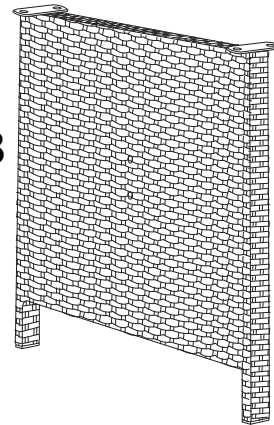
C



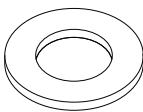
B



B

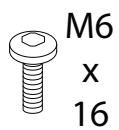


E



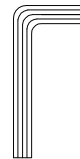
x 12

Q



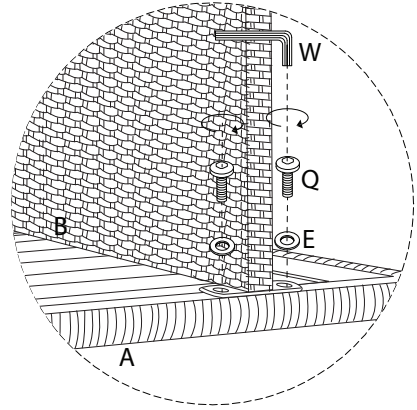
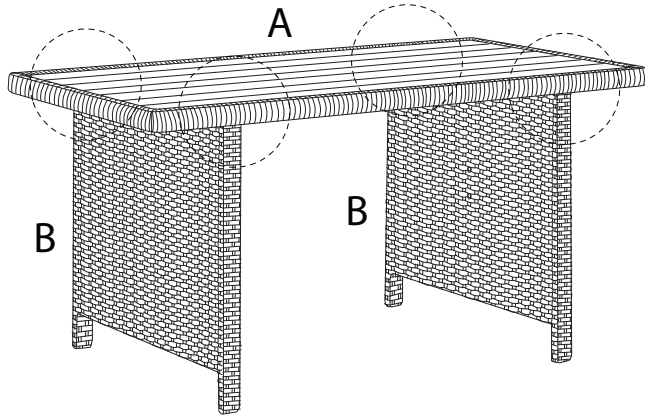
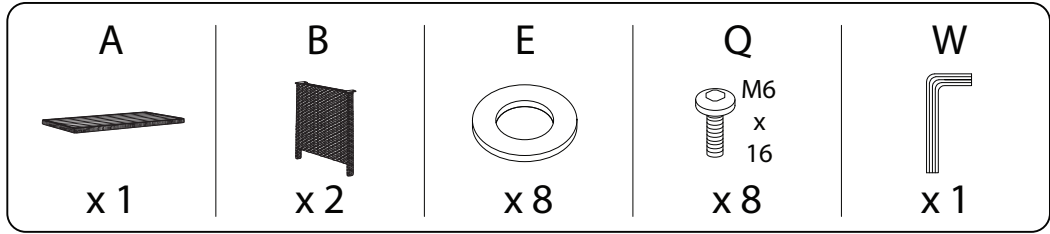
x 12

W



x 1

1



2

