

材质: 105g铜版纸

尺寸: 90*120 mm

印刷: 单黑双面印刷

装订方式: 折页

User Manual

LED Floor Lamp

FL-7555

Introduction

Thank you for choosing our floor lamp. Please read this user manual carefully and keep it for future reference. If you need any assistance, please contact us with your order number and details.

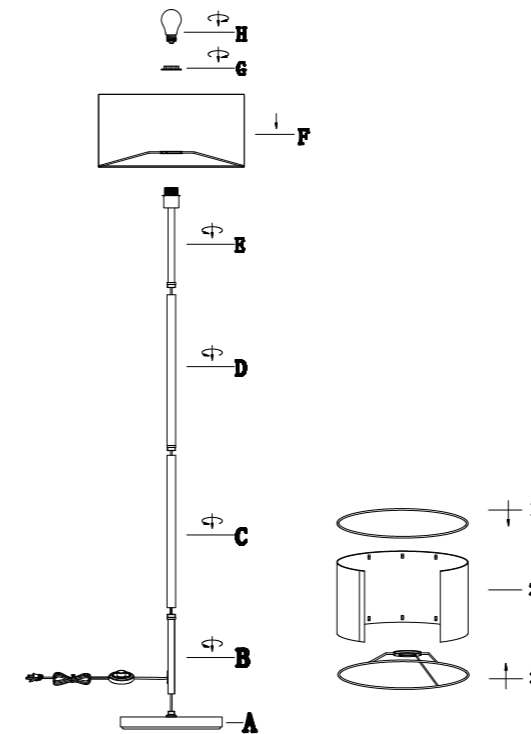
Package Contents

- LED Bulb x1
- Remote control with Magnet x1
- Lamp base x1
- User Manual x1
- Iron Pipes x4
- Shade and Two Metal Ring x1

Specification

LAMP	
Material	Metal +Fabric+PC
POWER	MAX 60W
Input Voltage	AC120V 60HZ
Size	W 17 " X H 63 "
Bulb	
Power	MAX 9W
LUMINOUS FLUX	800LM
DIMMABLE	10%-100%
Color temperature	3000K-6000K
Lifespan	30,000H
Remote Distance	MAX49.2 ft
Input Voltage	AC120V 60HZ

Product Structure



Installation

Carefully remove all parts from the box and remove all plastic coverings

Step 1-3: Securely tape the Velcro of the lampshade, forming it into a circle. Attach the small loop to the top and the double iron loop to the bottom.



Step A-E: Align all lamp poles and the base, inserting them through the screw side by side as depicted in the left image.



Step F: Put the lampshade onto the lamp base.



Step G: Attach the screw ring to the bulb base through the bottom of the shade (unscrew from the base first).

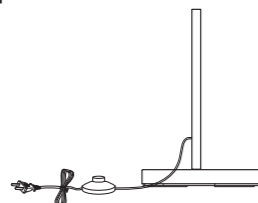


Step H: Screw the E26-based bulb onto the lamp base.

Usage

There are two ways to control : Foot switch control/Remote control

Foot switch ON/ OFF



Remote Control

- ①H Set a 1h timer (Light get several flickers mean 1h timer is successful set)
- ⓪ Short press to turn on/off light.
- ⊕ Short/Long press to enhance the CCT (3000K to 6000K) as you like.
- ⊖ Short/Long press to lower the CCT (6000K to 3000K) as you like.
- ☀ Short press to be the max brightness and CCT immediately.
- ☀+ Short/Long press to enhance the brightness as you like.
- ☀- Short/Long press to lower the brightness as you like.
- Ⓚ Short press to Adjust Color Temperature 3 Levels.
- 📖 Short press to enter reading mode.
- 👤 Short press to enter breastfeed mode.
- 🌙 Short press to enter night light mode.
- 💻 Short press to enter work mode.

When can you use the remote control?

A 9w 800Lumens intelligent bulb is included in the package. You may use regular bulb to replace the intelligent bulb if you prefer that. Please note that regular bulb cannot match the remote control. Need to repair the remote control and bulb if you replace one of them. Please check the repair method below.

Foot switch is the prerequisite for remote control. Make sure you have turned on the lamp with the foot switch when you using the remote for turning on/off, changing the CCT, modes and timer. Remote control cannot be used if foot switch is turning off status.

How to repair the remote control and the bulb if the remote is not working?

Turn on the bulb with foot switch, then keep holding the button '⓪' on remote until the light bulb goes from bright to dim and back to bright again, which indicates successful pairing. Then press the function key to confirm whether the function is working properly.

Product Care

- Please do not bend violently the lamp head to avoid damage when adjusting the angle of the lamp.
- Please read the user manual before use.
- Suggest indoor use . It is non waterproof .Do not use this product in humid environments or at high temperatures.
- Cut off the power when cleaning it or not using it.
- Do not use it exceed the voltage , the proper voltage for US is AC110- 120V.60Hz.
- Please stop use it if there is any defective issues found in the product.

Guarantee

our standing floor lamp is backed by 12MONTHS product warranty. For questions, assistance, or support, please contact the Customer Service with your order number and product model number. We will send you future information about the return or the exchange.

